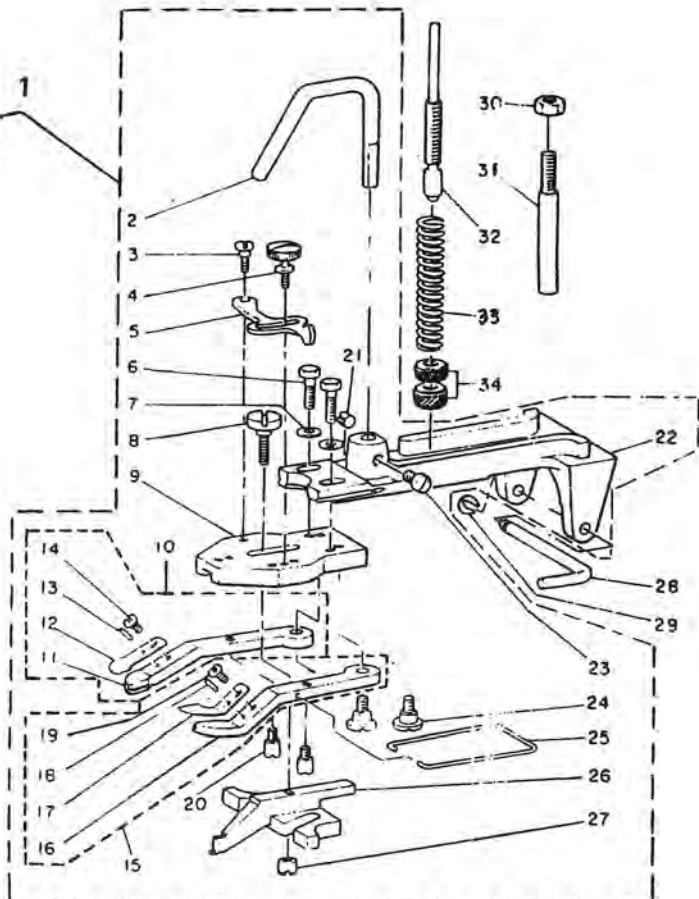
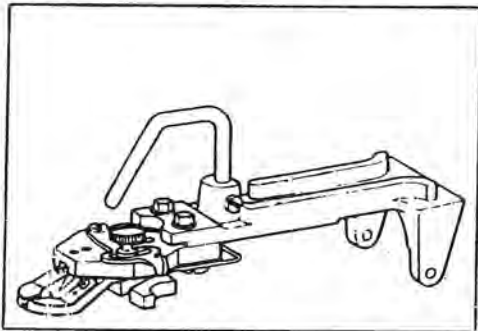
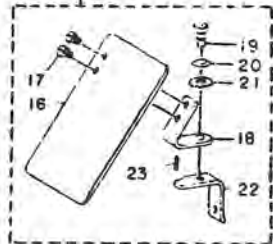
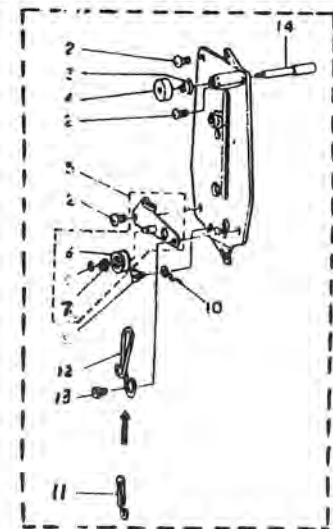


PARTS FOR JUKI

model MB-372,373 SERIES



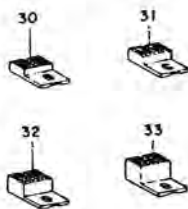
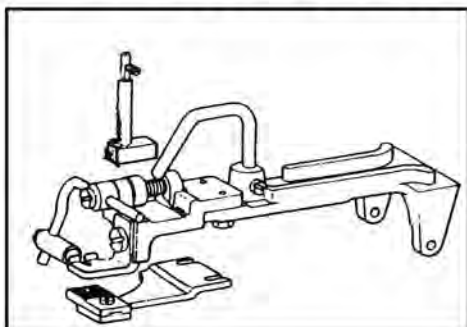
- 1 82547-372-080 Flat button clamp asm.
- 2 82546-372-000 Button clamp lifting hook
- 3 SD-0550181-SP Hinge screw (B) D=5.50 H=1.8
- 4 B2549-372-000 Clamp screw (A)
- 5 B2548-372-000 Button clamp stop lever
- 6 SS-9621413-SP Screw 3/16-32 L=13.5
- 7 WP-0501016-SD Washer 5.0x10.5x1.0
- 8 SD-0550301-SP Hinge screw (A) D=5.50 H=3.0
- 9 82547-372-000 Button clamp jaw lever holder
- 10 82555-372-0A0 Button clamp jaw lever (LEFT) asm.
- 11 82555-372-000 Button clamp jaw lever (LEFT)
- 12 82556-372-000 Button clamp plate spring (LEFT)
- 13 P2559-372-000 Guide pin
- 14 SS-7090520-TP Screw 9/64-40 L=4.5
- 15 82557-372-0A0 Button clamp jaw lever (RIGHT) asm.
- 16 P2557-372-000 Button clamp jaw lever (RIGHT)
- 17 P2558-372-000 Button clamp plate spring (RIGHT)
- 18 P2559-372-000 Guide pin
- 19 SS-7090520-TP Screw 9/64-40 L=4.5
- 20 82560-372-000 Button clamp stop pin
- 21 SS-8150510-TP Screw (B) 15/64-28 L=4.7
- 22 82542-372-000 Button clamp holder
- 23 SS-7150940-SP Screw (A) 15/64-28 L=9.0
- 24 SD-0640391-TP Hinge screw D=6.35 H=3.9
- 25 82561-372-000 Button clamp spring
- 26 P2552-372-000 Button clamp slide guide
- 27 82553-372-000 Screw (B)
- 28 82540-372-000 Button clamp installing stud
- 29 82541-372-000 Snap ring
- 30 MS-6160520-SP Nut 1/4-24
- 31 82543-372-000 Button clamp stopper pin
- 32 82544-372-000 Pressure adjusting bar
- 33 P2545-372-000 Spring
- 34 B3125-012-000 Nut



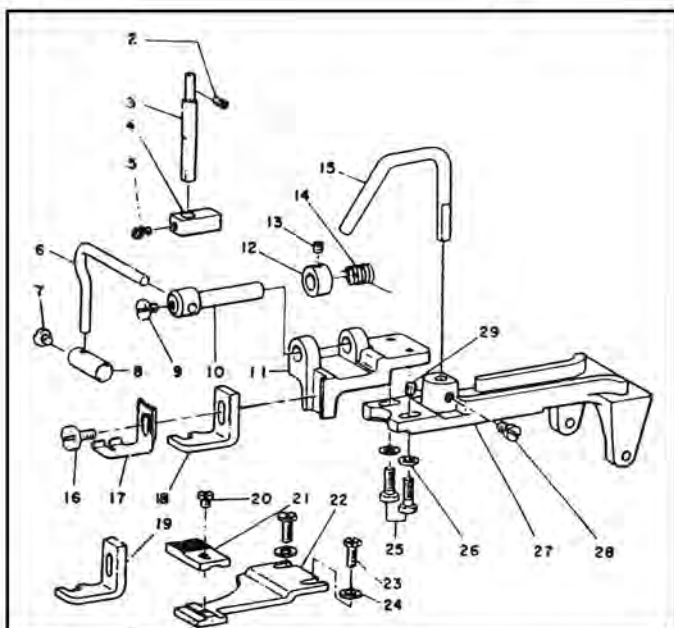
- 1 B3101-372-0A0 Machine arm front cover asm.
- 2 SS-5110810-SP Screw 11/64-40 L=8.0
- 3 B3149-123-A00 Nipper releasing plunger spring
- 4 B3103-372-000 Kurlled thumb nut
- 5 B3109-372-0A0 Thread tension guide No.3 asm.
- 6 B3148-123-000 Thread tension guide No.3 disc
- 7 B3110-372-000 Thread tension guide No.3 spring
- 8 B3149-123-A00 Thread tension guide No.3 spring
- 9 RE-0300000-K0 Snap ring
- 10 SS-7110340-SP Screw 11/64-40 L=3.2
- 11 B3108-372-000 Thread guide No.4
- 12 B3107-372-000 Thread guide No.3
- 13 B3107-373-000 Thread guide No.3
- 14 SS-5110810-SP Screw 11/64-40 L=8.0
- 15 B3104-372-000 Nipper releasing plunger
- 16 B3120-372-0A0 Safety plate asm.
- 17 B3120-372-000 Safety plate
- 18 SS-7110740-TL Screw 11/64-40 L=7.0
- 19 B3121-372-000 Installing plate
- 20 SD-0600401-SD Hinge screw D=6.00 H=4.0
- 21 B3125-155-000 Spring washer
- 22 WP-0650876-SD Washer 6.5 x 13.0 x 0.8
- 23 B3122-372-000 Installing base
- 24 B3123-372-000 Stopper pin

PARTS FOR **JUKI**

model **MB-372,373** SERIES



1	B2401-372-0B0	Shank button clamp asm.
2	SS-8120740-SP	Screw 3/16-28 L=7.0
3	B2411-372-000	Button clamp stud
4	B2412-372-000	Button clamp block
5	SS-7110540-SP	Screw 11/64-40 L=5.0
6	B2405-372-000	Button clamp lever
7	SS-7110510-SP	Screw 11/64-40 L=5.0
	SS-7110710-SP	Screw 11/64-40 L=7.0
8	B2406-372-000	Shank button holding clamp
9	SS-7110570-SP	Screw 11/64-40 L=4.8
10	B2402-372-000	Button clamp rotating shaft
11	B2401-372-000	Button clamp bracket
12	CS-072081A-SM	Thrust collar asm.
13	SS-8110410-TP	Screw 11/64-40 L=3.5
14	B2404-372-000	Rotating shaft spring
15	B2546-372-000	Button clamp lifting hook
16	SS-6111140-SP	Screw 11/64-40 L=11.0
17	B2408-372-000	Shank button guard
18	B2419-372-A00	Shank button adapter (A)
19	B2419-372-B00	Shank button adapter (B)
20	SS-6110480-SP	Screw 11/64-40 L=4.3
21	B2410-372-000	Work support plate
22	B2409-372-000	Button clamp feed plate
23	SS-9120910-TP	Screw 3/16-28 L=9.0
24	WP-0501016-SD	Washer 5.0 x 10.5 x 1.0
25	SS-9621413-SP	Screw 3/16-32 L=13.5
26	WP-0501016-SD	Washer 5.0 x 10.5 x 1.0
27	B2542-372-000	Button clamp holder
28	SS-7150940-SP	Screw (A) 15/64-28 L=9.0
29	SS-8150510-TP	Screw (B) 15/64-28 L=4.7
30	B2410-372-00A	Work support plate (A)
31	B2410-372-00B	Work support plate (B)
32	B2410-372-00C	Work support plate (C)
33	B2410-372-00D	Work support plate (D)



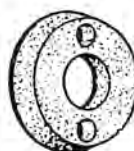
B2607-372-000
Rubber cushion



B2606-372-000
Disc spring



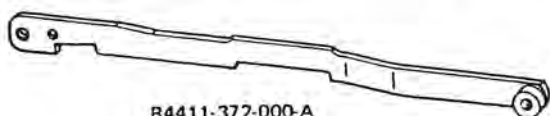
B2604-372-000
Plunger



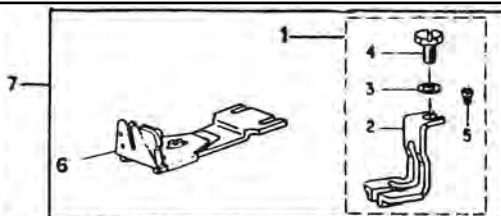
B1208-372-000
Needle driving pulley clutch disc



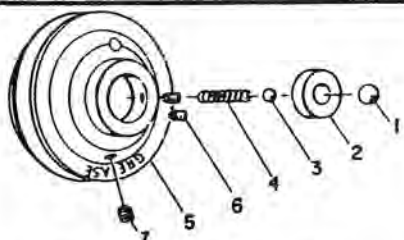
B2605-372-000
Stop motion plunger rod



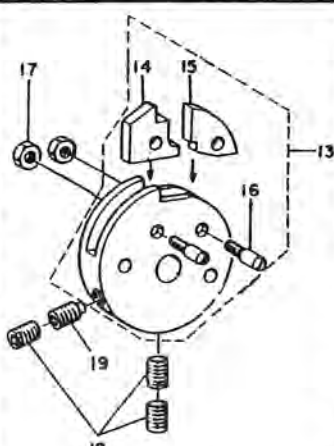
B4411-372-000-A
Button clamp lifting link



1	B2447-372-0A0	Wrapped-around button foot asm.
2	B2447-372-000	Wrapped-around button foot
3	WP-0501016-SD	Washer 5.0 x 10.5 x 1.0
4	SS-9120910-TP	Screw 3/16-28 L=9.0
5	B2446-372-000	Guide pin
6	B2440-372-0A0	Wrapped-around button clamp asm.
7	B2440-372-0B0	Wrapped-around button foot asm.



1	B1203-372-000	Driving ball
2	B1204-372-000	Pulley insert
3	B1246-372-000	Spring ball
4	B1205-372-000	Spring
5	B1202-372-000	Needle driving pulley
6	SS-8110750-SP	Screw 11/64-40 L=6.5
7	SS-8150410-SP	Screw 15/64-28 L=4.0



13	B1210-372-0A0	Stop motion disc asm.
14	B1211-372-000	Stop motion disc pawl (A)
15	B1212-372-000	Stop motion disc pawl (B)
16	B1213-372-000	Screw
17	NS-6150430-SP	Nut 15/64-28
18	SS-8701042-TP	Screw (B) 5/16-24 L=10.0
19	SS-8701782-TP	Screw (A) 5/16-24 L=17.0