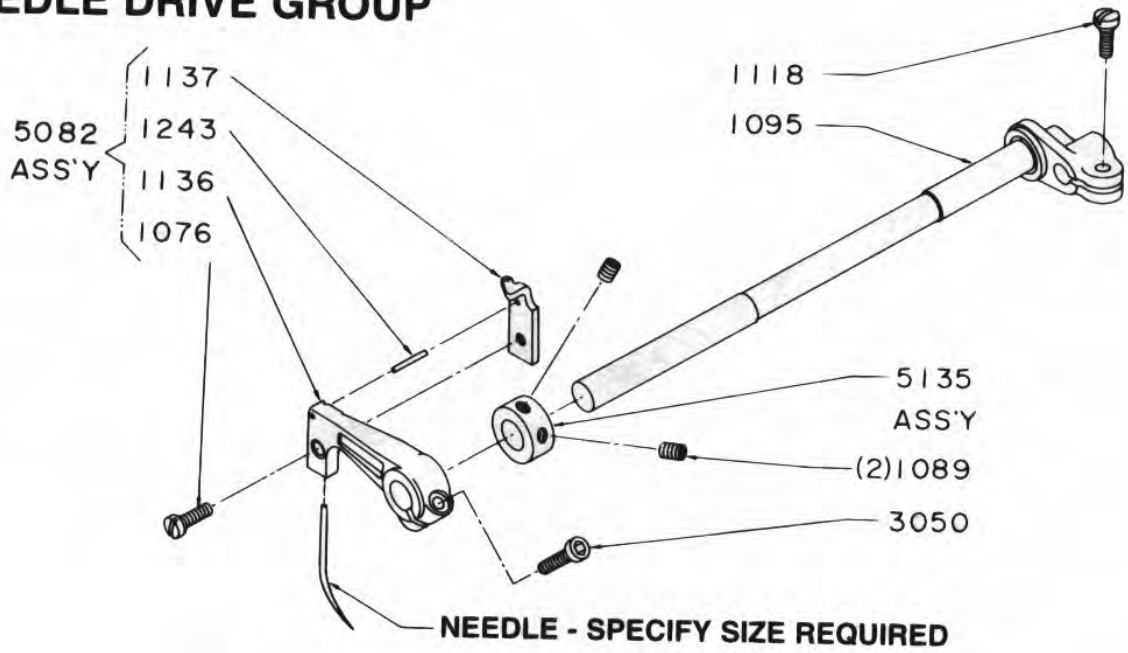
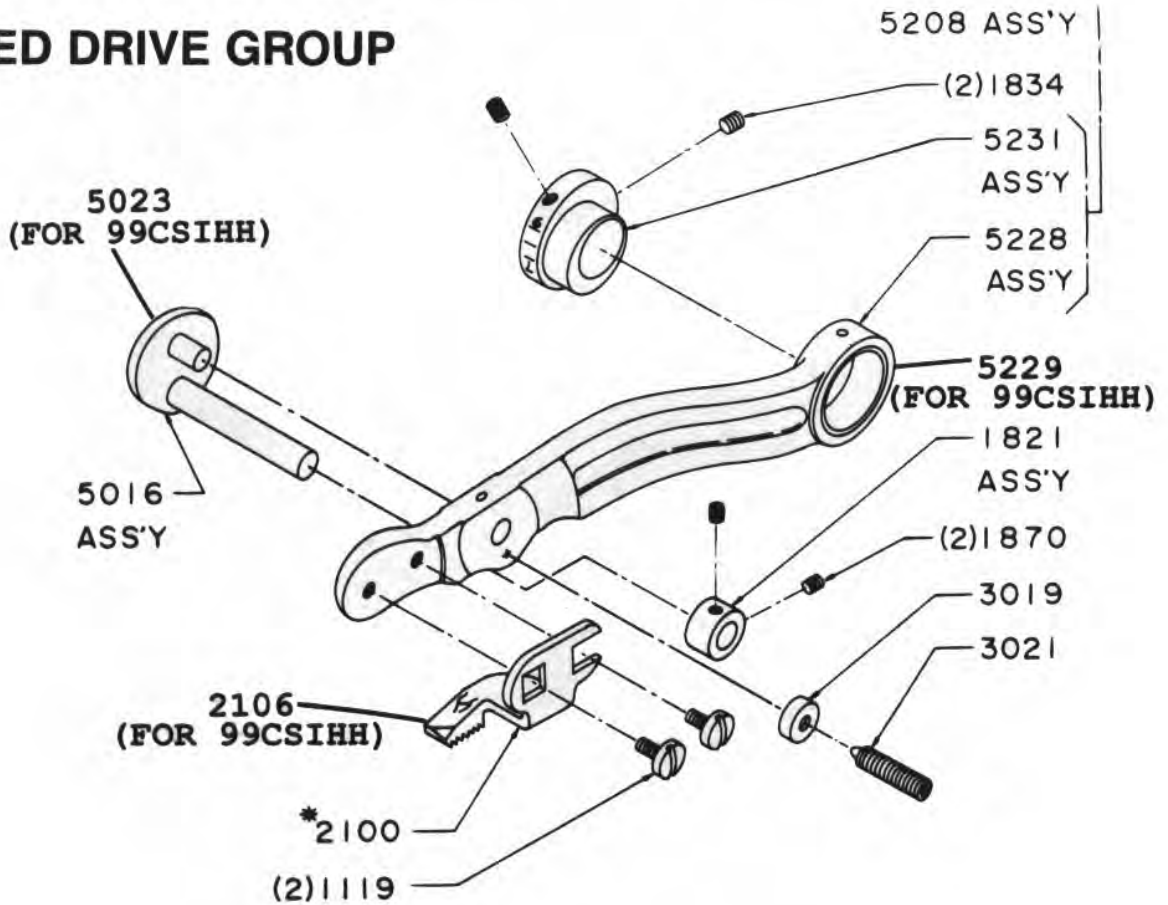


RICAMBI BLINDSTITCH US 718 - 99BL

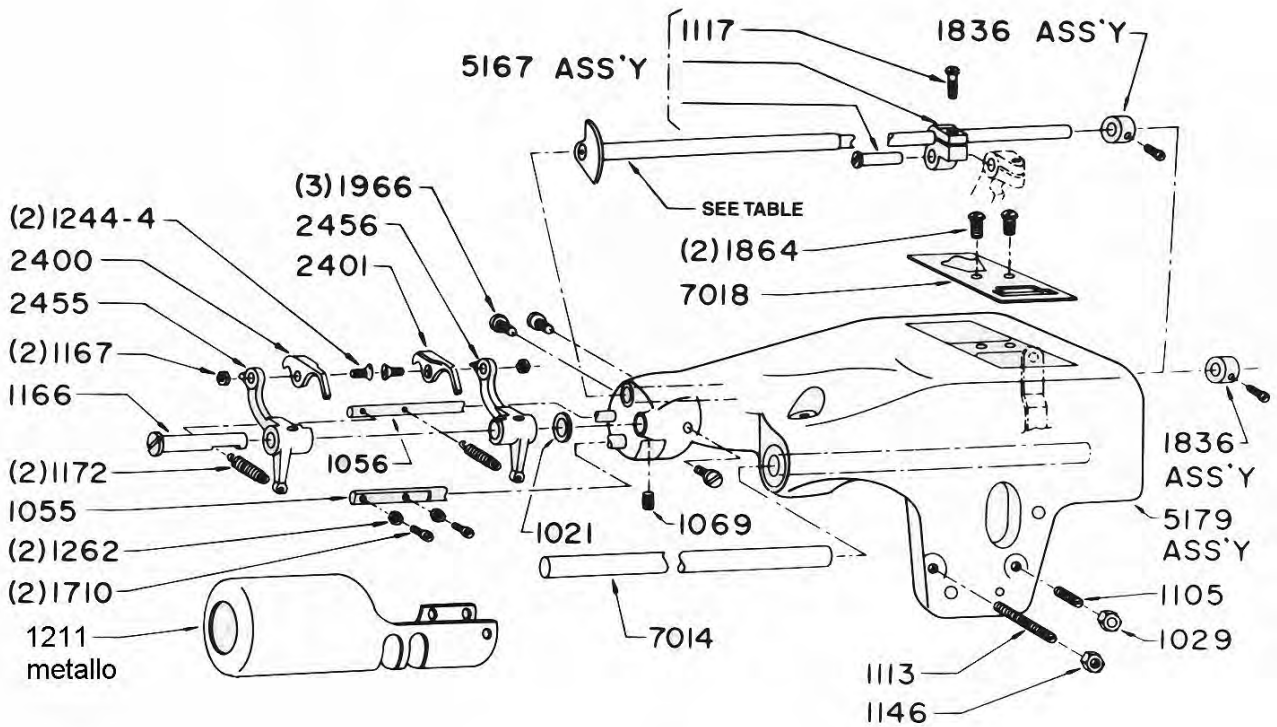
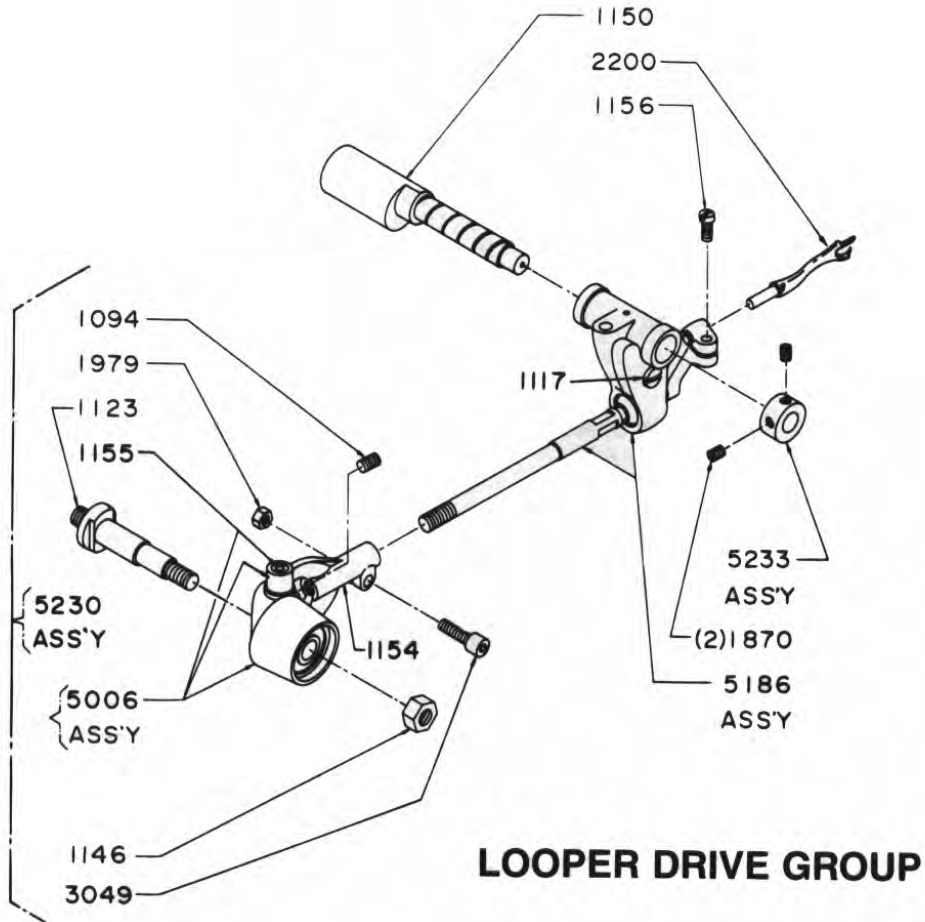
NEEDLE DRIVE GROUP



FEED DRIVE GROUP



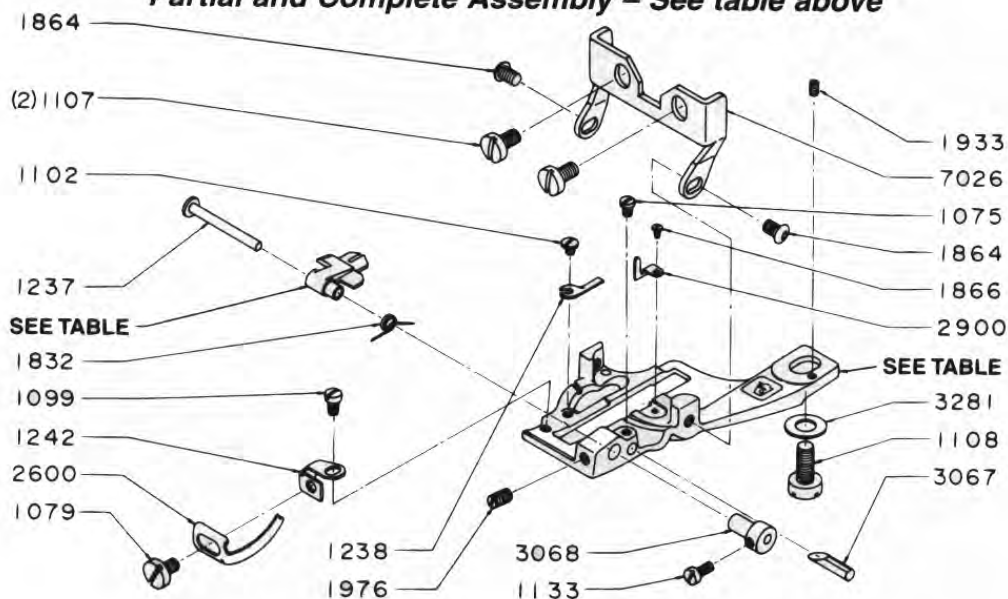
RICAMBI BLINDSTITCH US 718 - 99BL



RICAMBI BLINDSTITCH US 718 – 99BL

PRESSER-FOOT ASSEMBLY GROUP I

Partial and Complete Assembly – See table above

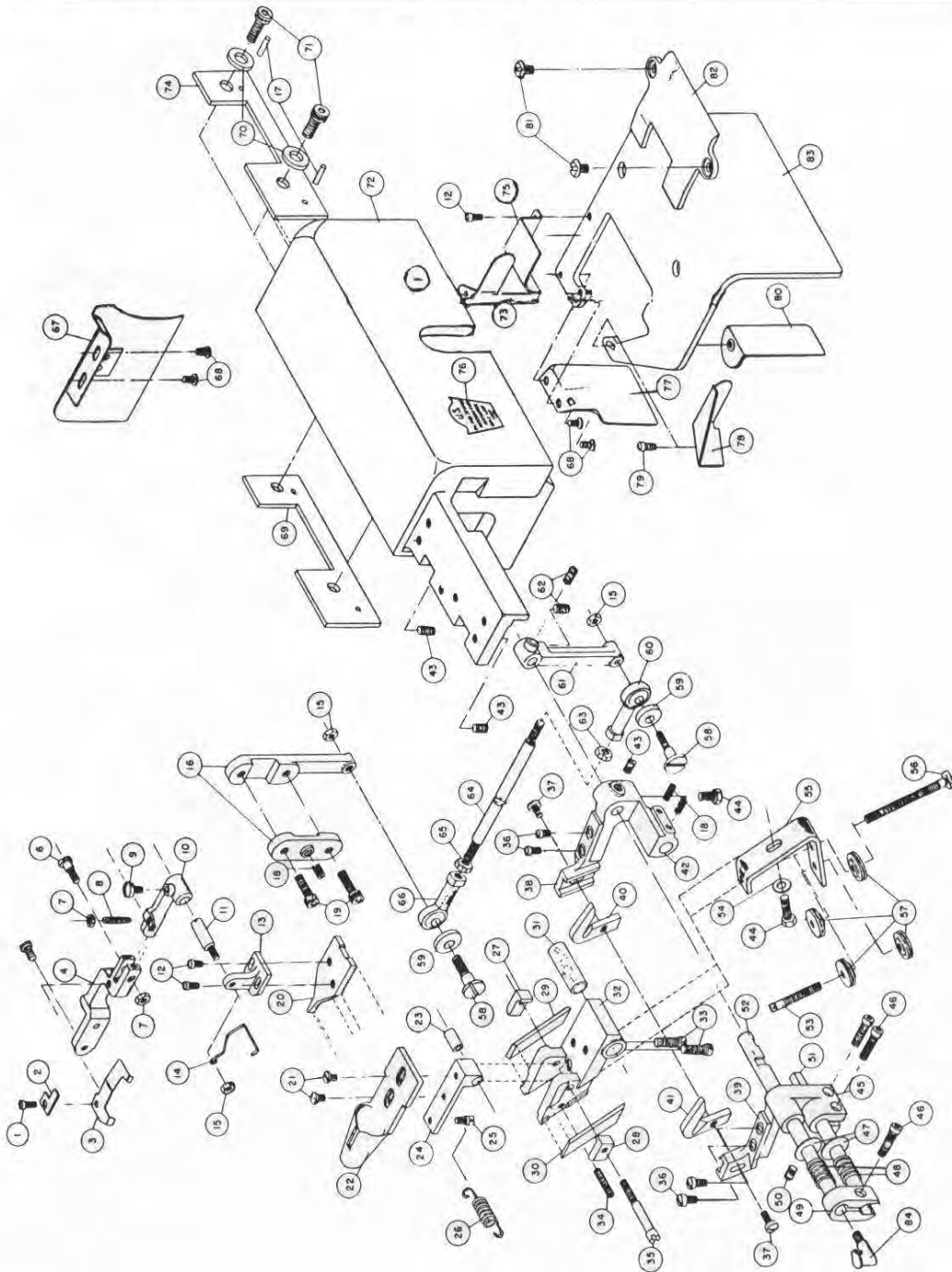


DETTAGLIO RICAMBI PER UNITA' PASSANTI US 99BL

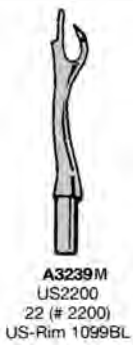
Ref. No.	Description	Part Number	Ref. No.	Description	Part Number
1.	Screw for 200 & 224	.203-A1	40.	Upper Knife Right	.1348
2.	Retainer Plate (Feed Bar)	.201-AZ	41.	Upper Knife Left	.1349
3.	Spring Tension Feed Bar	.201A	42.	Knife Carrier Support Right	.210RS
4.	Rear Top Feed Bracket	.200	43.	Screw for 225 & 210RS	.214SS
5.	Top Feed Bracket Screw	.1101	44.	Hex Head Cap for 210RS & 207ANN	.207ANSH
6.	Shoulder Screw for 200 & 201	200-2A	45.	Knife Carrier Support Left	.210LS
7.	Nut (Top Feed & Front Feed Screws)	.201-IN	46.	Screw for 210-LS & 212-C	.212-2S
8.	Front Feed Screw Set	.201-IS	47.	Washer for 221	.1053
9.	Pan Head Screw (Top Feed Bracket)	.201-S	48.	Knife Spring	.221
10.	Front Top Feed Bracket	.201	49.	Side Clamp	.212-C
11.	Front Top Feed Mounting Stud	202-1	50.	Screw for 210LS	.210-RS-1
12.	Screw - Mounting (Specify Size)	217-IN	51.	Secondary Stud Knife Block	.219-B
13.	Feed Brace	.202-B	52.	Shaft, Knife Block	.219-A
14.	Tape Guide (Filler-Buckram)	.202BSN	53.	Screw eye Stud	.206-INE
15.	Hex Nut 9-40 for 216AR & 202-1	1701	54.	Washer for 207ANSH	.207ANW
16.	Carrier, Operator Lever	.215 Unit	55.	Folder Adjustable Bracket	.207-ANN
17.	Groove Pin for 230	.1663	56.	Adjustable Stud for 207ANN -207ANS Bik 207KN	.207 ANS
18.	10-32 Socket Set Screw for 215 Unit	.1814	57.	Knurled Adj. Nut for 207-ANS	.206-INE-1
19.	10-32 Socket Head Cap Screw for 215 Unit & 210RS	.215-A2	58.	Rod End Shoulder Screws	.216-AR
20.	Top Feed (Specify Size) 5/16 - 3/8 - 7/16 - 1/2	.202A (Size)	59.	Feld Washer for 216-AR	.222A
21.	Screw Folder Mounting	.217H	60.	Rod End Bearing R.H. THD	.216B
22.	Folder (Specify Size) 5/16 - 3/8 - 7/16 - 1/2 also Opening ABC	.207 (Size)	61.	Knife Shaft Lever	.214-C
23.	Bushing for 207BNF	.207-B-1	62.	Set Screw for P/N 214-C	.1331
24.	Folder Adjustable Block	.207BNF	63.	Tie Rod Nut for 216-B	.1008
25.	Eye Screw for 207BNF	.207BFS	64.	Tie Rod (Specify machine size)	.216
26.	Spring for Folder Block	.1171	65.	Tie Rod Nut L.H. for 216-A	.216-ILN
27.	Knife Clamp Right	.211-R	66.	Rod End Bearing	.216-A
28.	Knife Clamp Left	.211-L	67.	Tie Rod Shield Unit	.217A-B Unit
29.	Lower Knife Right	.1351	68.	Screw for 217A-B 7NIT & 228	228SNP
30.	Lower Knife Left	.1352	69.	Support Shim BLP Frame	.230-1
31.	Bushing for 206 Block	.206B	70.	Flat Washer Support Shim	.1054
32.	Knife Block (Specify Size) 5/16 - 3/8 - 7/16 - 1/2	.206 (Size)	71.	Screw BLP Frame Mounting	.10014
33.	Socket Cap Screw for 206 Knife Block	.231	72.	Main Frame	.225
34.	Socket Set Screw for 206 Knife Block	.206SS	73.	Chip Guard Right	.224
35.	Knife Clamp Screw (Specify Size) for 5/16 - 3/8	.211-1	74.	Support Plate for 225	.230
			75.	Upper Chip Guard Right (Specify size) 5/16" & 3/8", 7/16", 1/2"	.204ANS
			76.	I.D. Plate Trimmer Main Frame	200-ID
			77.	Lower Guard Plate Right	.228
			78.	Lower Guard Plate Left	.203A
			79.	Screw Mounting 203A	.216-S
			80.	Lower Guard Plate Left 227, 227-1	.227
			81.	Screw Work Plate	.203NES
			82.	Work Plate Shield (Specify size) 5/16", 3/8", 7/16", 1/2"	.204NE Size
			83.	Work Plate	.203NEB
			84.	Oil Cup	.232

RICAMBI BLINDSTITCH US 99BL

PARTS FOR U.S. AUTOMATIC BELT UNIT



COLTELLI BLINDSTITCH



A3234
208L-1352



A3233
208R-1351



A3235
209R-1348



A3236
209L-1349

A8042 piegatore per passanti (22) medio/leggero/pesante , passante finito 3/8