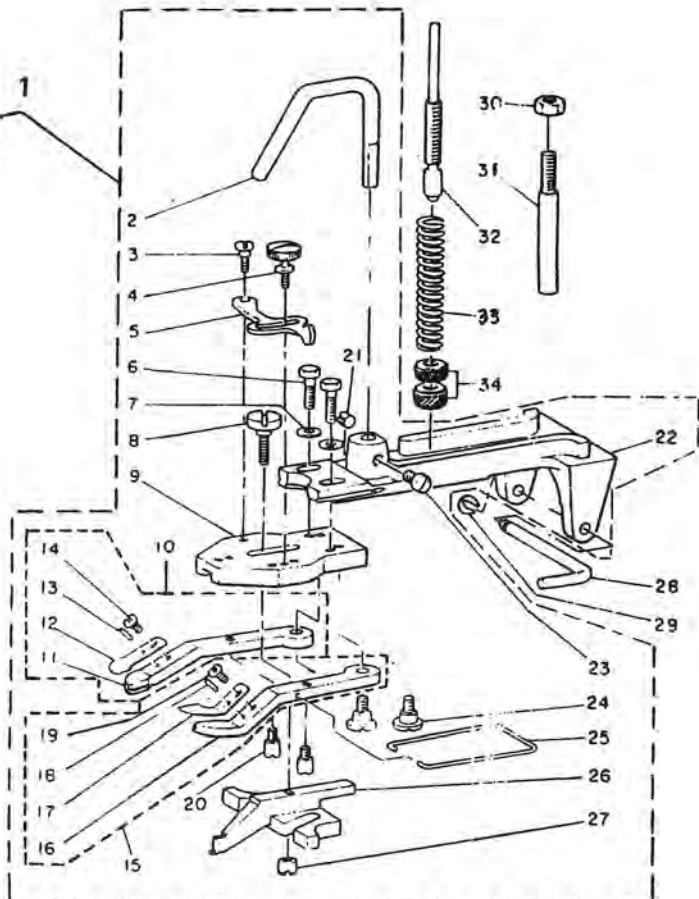
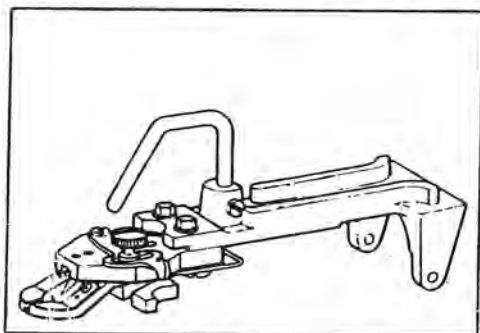


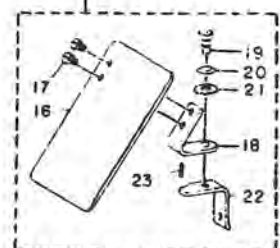
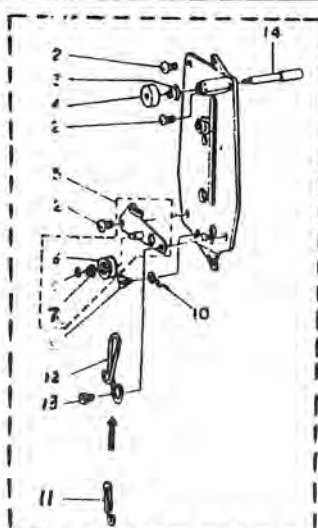
PARTS FOR JUKI

model MB-372,373 SERIES



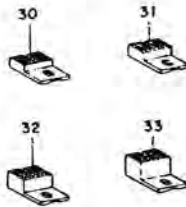
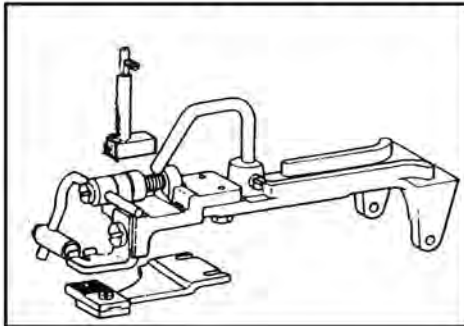
- 1 82547-372-080 Flat button clamp asm.
- 2 82546-372-000 Button clamp lifting hook
- 3 SD-0550181-SP Hinge screw (B) D=5.50 H=1.8
- 4 B2549-372-000 Clamp screw (A)
- 5 B2548-372-000 Button clamp stop lever
- 6 SS-9621413-SP Screw 3/16-32 L=13.5
- 7 WP-0501016-SD Washer 5.0x10.5x1.0
- 8 SD-0550301-SP Hinge screw (A) D=5.50 H=3.0
- 9 82547-372-000 Button clamp jaw lever holder
- 10 82555-372-0A0 Button clamp jaw lever (LEFT) asm.
- 11 82555-372-000 Button clamp jaw lever (LEFT)
- 12 82556-372-000 Button clamp plate spring (LEFT)
- 13 P2559-372-000 Guide pin
- 14 SS-7090520-TP Screw 9/64-40 L=4.5
- 15 82557-372-0A0 Button clamp jaw lever (RIGHT) asm.
- 16 P2557-372-000 Button clamp jaw lever (RIGHT)
- 17 P2558-372-000 Button clamp plate spring (RIGHT)
- 18 P2559-372-000 Guide pin
- 19 SS-7090520-TP Screw 9/64-40 L=4.5
- 20 82560-372-000 Button clamp stop pin
- 21 SS-8150510-TP Screw (B) 15/64-28 L=4.7
- 22 82542-372-000 Button clamp holder
- 23 SS-7150940-SP Screw (A) 15/64-28 L=9.0
- 24 SD-0640391-TP Hinge screw D=6.35 H=3.9
- 25 82561-372-000 Button clamp spring
- 26 P2552-372-000 Button clamp slide guide
- 27 P2553-372-000 Screw (B)
- 28 82540-372-000 Button clamp installing stud
- 29 82541-372-000 Snap ring
- 30 MS-6160520-SP Nut 1/4-24
- 31 82543-372-000 Button clamp stopper pin
- 32 82544-372-000 Pressure adjusting bar
- 33 P2545-372-000 Spring
- 34 B3125-012-000 Nut

- 1 B3101-372-0A0 Machine arm front cover asm.
- 2 SS-5110810-SP Screw 11/64-40 L=8.0
- 3 B3149-123-A00 Nipper releasing plunger spring
- 4 B3103-372-000 Kurlled thumb nut
- 5 B3109-372-0A0 Thread tension guide No.3 asm.
- 6 B3148-123-000 Thread tension guide No.3 disc
- 7 B3110-372-000 Thread tension guide No.3 spring
- 8 B3149-123-A00 Thread tension guide No.3 spring
- 9 RE-0300000-K0 Snap ring
- 10 SS-7110340-SP Screw 11/64-40 L=3.2
- 11 B3108-372-000 Thread guide No.4
- 12 B3107-372-000 Thread guide No.3
- 13 B3107-373-000 Thread guide No.3
- 14 SS-5110810-SP Screw 11/64-40 L=8.0
- 15 B3104-372-000 Nipper releasing plunger
- 16 B3120-372-0A0 Safety plate asm.
- 17 B3120-372-000 Safety plate
- 18 SS-7110740-TL Screw 11/64-40 L=7.0
- 19 B3121-372-000 Installing plate
- 20 SD-0600401-SD Hinge screw D=6.00 H=4.0
- 21 B3125-155-000 Spring washer
- 22 WP-0650876-SD Washer 6.5 x 13.0 x 0.8
- 23 B3122-372-000 Installing base
- 24 B3123-372-000 Stopper pin

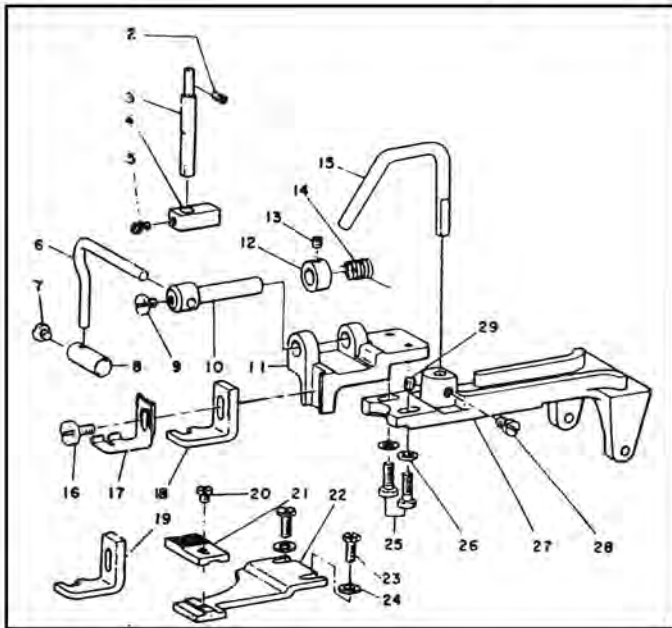


PARTS FOR **JUKI**

model **MB-372,373** SERIES



1	B2401-372-0B0	Shank button clamp asm.
2	SS-8120740-SP	Screw 3/16-28 L=7.0
3	B2411-372-000	Button clamp stud
4	B2412-372-000	Button clamp block
5	SS-7110540-SP	Screw 11/64-40 L=5.0
6	B2405-372-000	Button clamp lever
7	SS-7110510-SP	Screw 11/64-40 L=5.0
	SS-7110710-SP	Screw 11/64-40 L=7.0
8	B2406-372-000	Shank button holding clamp
9	SS-7110570-SP	Screw 11/64-40 L=4.8
10	B2402-372-000	Button clamp rotating shaft
11	B2401-372-000	Button clamp bracket
12	CS-072081A-SM	Thrust collar asm.
13	SS-8110410-TP	Screw 11/64-40 L=3.5
14	B2404-372-000	Rotating shaft spring
15	B2546-372-000	Button clamp lifting hook
16	SS-6111140-SP	Screw 11/64-40 L=11.0
17	B2408-372-000	Shank button guard
18	B2419-372-A00	Shank button adapter (A)
19	B2419-372-B00	Shank button adapter (B)
20	SS-6110480-SP	Screw 11/64-40 L=4.3
21	B2410-372-000	Work support plate
22	B2409-372-000	Button clamp feed plate
23	SS-9120910-TP	Screw 3/16-28 L=9.0
24	WP-0501016-SD	Washer 5.0 x 10.5 x 1.0
25	SS-9621413-SP	Screw 3/16-32 L=13.5
26	WP-0501016-SD	Washer 5.0 x 10.5 x 1.0
27	B2542-372-000	Button clamp holder
28	SS-7150940-SP	Screw (A) 15/64-28 L=9.0
29	SS-8150510-TP	Screw (B) 15/64-28 L=4.7
30	B2410-372-00A	Work support plate (A)
31	B2410-372-00B	Work support plate (B)
32	B2410-372-00C	Work support plate (C)
33	B2410-372-00D	Work support plate (D)



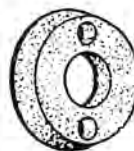
B2607-372-000
Rubber cushion



B2606-372-000
Disc spring



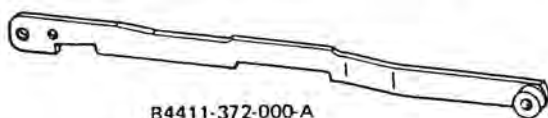
B2604-372-000
Plunger



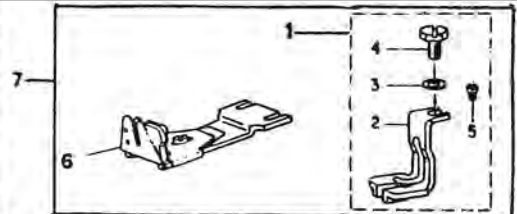
B1208-372-000
Needle driving pulley clutch disc



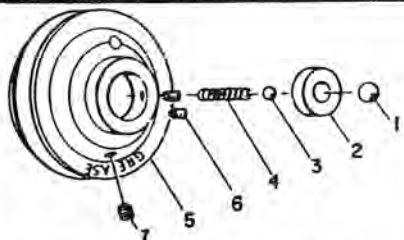
B2605-372-000
Stop motion plunger rod



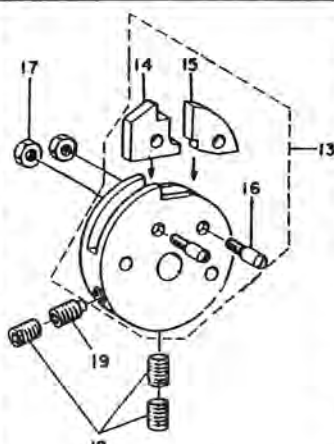
B4411-372-000-A
Button clamp lifting link



1	B2447-372-0A0	Wrapped-around button foot asm.
2	B2447-372-000	Wrapped-around button foot
3	WP-0501016-SD	Washer 5.0 x 10.5 x 1.0
4	SS-9120910-TP	Screw 3/16-28 L=9.0
5	B2446-372-000	Guide pin
6	B2440-372-0A0	Wrapped-around button clamp asm.
7	B2440-372-0B0	Wrapped-around button foot asm.



1	B1203-372-000	Driving ball
2	B1204-372-000	Pulley insert
3	B1246-372-000	Spring ball
4	B1205-372-000	Spring
5	B1202-372-000	Needle driving pulley
6	SS-8110750-SP	Screw 11/64-40 L=6.5
7	SS-8150410-SP	Screw 15/64-28 L=4.0



13	B1210-372-0A0	Stop motion disc asm.
14	B1211-372-000	Stop motion disc pawl (A)
15	B1212-372-000	Stop motion disc pawl (B)
16	B1213-372-000	Screw
17	NS-6150430-SP	Nut 15/64-28
18	SS-8701042-TP	Screw (B) 5/16-24 L=10.0
19	SS-8701782-TP	Screw (A) 5/16-24 L=17.0

RICAMBI JUKI

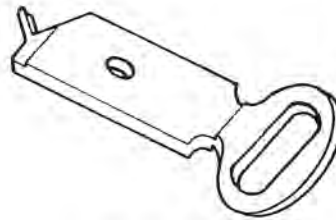
JUKI FOR MB-372/373



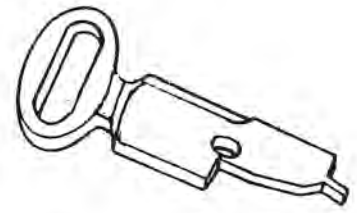
B2545-372-000
Button Spring



B2548-372-000
Button Clamp Stop Lever



B-1237-372-000
Loop Positioning Finger
For MB-372



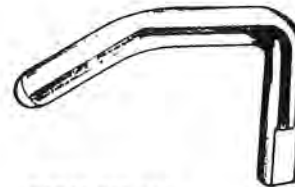
B-1237-373-000
Yoke Slide
For MB-372, 373



B2561-372-000
Button Clamp Spring



B2409-372-000
Button Clamp Feed Plate



B2546-372-000
Button Clamp Lifting Hook



B-1239-372-000
Looper
For MB-372



B2406-372-0A0
Shank Button Holding



B2611-372-000
Stop Motion Disc Applying Pressure Lever



B2419-372-A00
B2419-372-B00
Shank Button Adapter



B2408-372-000
Shank Button Guard



B1234-372-0A0
Loop Positioning Finger
Cam Asm



B2029-372-000
Nipper Block Spring



B3149-123-A00
B3110-372-000
Thread Tension Spring Spring



B2616-372-000
B1205-372-000



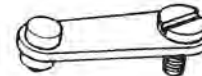
B1211-31211-372-000
Stop Motion Motion Disc Pawl (A)



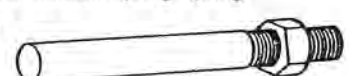
B1212-372-000
Stop Motion Motion Disc Pawl (B)



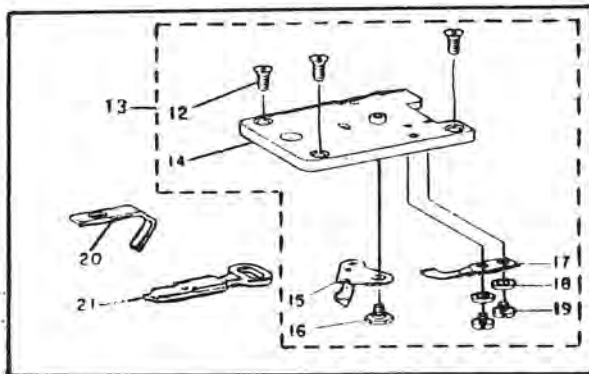
Wp-0751576-SD
Washer



B1230-372-0A0
Loop Positioning
Finger Asm

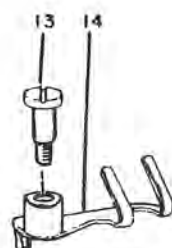
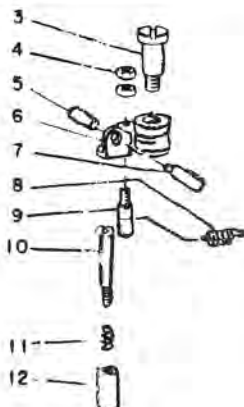


B2543-372-0A0
Button Clamp Stopper Pin Asm in Asm



FOR MODEL MB-373

- | | | |
|----|---------------|---------------------------|
| 12 | SS-2110920-TP | Screw 11/64-40 L=8.5 |
| 13 | B1241-373-0A0 | Throat plate asm. |
| 14 | B1241-373-000 | Throat plate |
| 15 | B2406-373-0A0 | Moving knife asm. |
| 16 | SD-0600095-TH | Hinge screw D=6.00 H=0.85 |
| 17 | B2410-373-000 | Fixed knife |
| 18 | WP-0370316-SD | Washer 3.7 x 8.0 x 0.3 |
| 19 | SS-7080310-SP | Screw 1/8-44 L=3.0 |
| 20 | B1242-373-000 | Needle guide |
| 21 | B1237-373-000 | Yoke slide |



- | | | |
|----|---------------|----------------------------|
| 3 | SD-0791271-SP | Hinge screw D=7.94 L=12.7 |
| 4 | NS-6080210-SP | Nut 1/8-44 |
| 5 | B2035-372-000 | Nut |
| 6 | B2031-372-0A0 | Thread nipper asm. |
| 7 | B2034-372-000 | Thread releasing pin |
| 8 | B2037-372-000 | Nipper bar block spring |
| 9 | B2036-372-000 | Stud |
| 10 | SD-0402001-SP | Hinge screw D=4.00 H=20.0 |
| 11 | B2029-372-000 | Nipper block spring |
| 12 | B2028-372-000 | Nipper block |
| 13 | SD-0791501-SP | Hinge screw D=7.94 H=15.0 |
| 14 | B2025-372-0A0 | Thread pull-off lever asm. |

PARTS FOR **JUKI**

model **MB-372,373** SERIES



B1241-372-000
Throat plate



B1242-372-000
Needle guide



B1237-372-000
Yoke slide



10 B1230-372-0/ Loop positioning finger asm
11 SD-0640241-S Hinge screw D=6.35 H=2.4
12 B1232-372-000 Lever roll

WP-0501016-SD
Washer 5.0 x 10.5 x 1.0



B2529-372-000
Feed plate, small button



B2529-373-000
Feed plate, small button



B2529-372-C00
Feed plate, small button



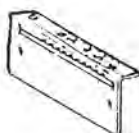
D2529-372-C00
Feed plate, large button



D2529-372-B00
Feed plate, middle button



B2515-372-000
Lengthwise feed adjusting lever



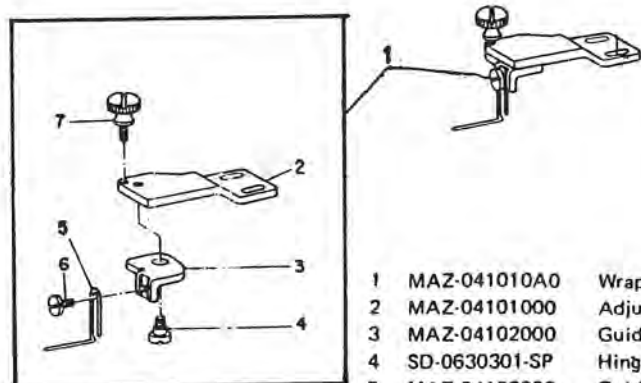
B2516-372-000
Lengthwise feed graduated plate



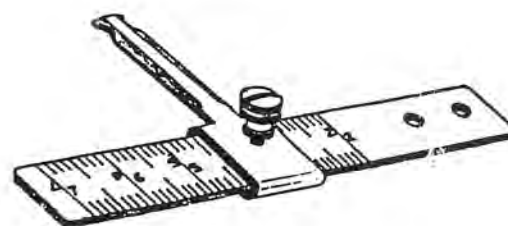
B4401-372-0A0
Button clamp forked rod asm



B4416-372-000
Button clamp lifting rod



1 MAZ-041010A0 Wrapped-around button clamp asm.
2 MAZ-04101000 Adjusting base
3 MAZ-04102000 Guide bar base
4 SD-0630301-SP Hinge screw D=6.35 H=3.0
5 MAZ-04103000 Guide bar, shank button width
6 SS-5080710-SP Screw 1/8-44 L=6.5
7 B2549-372-000 Screw



372G
Gauge



B8210-372-0A0

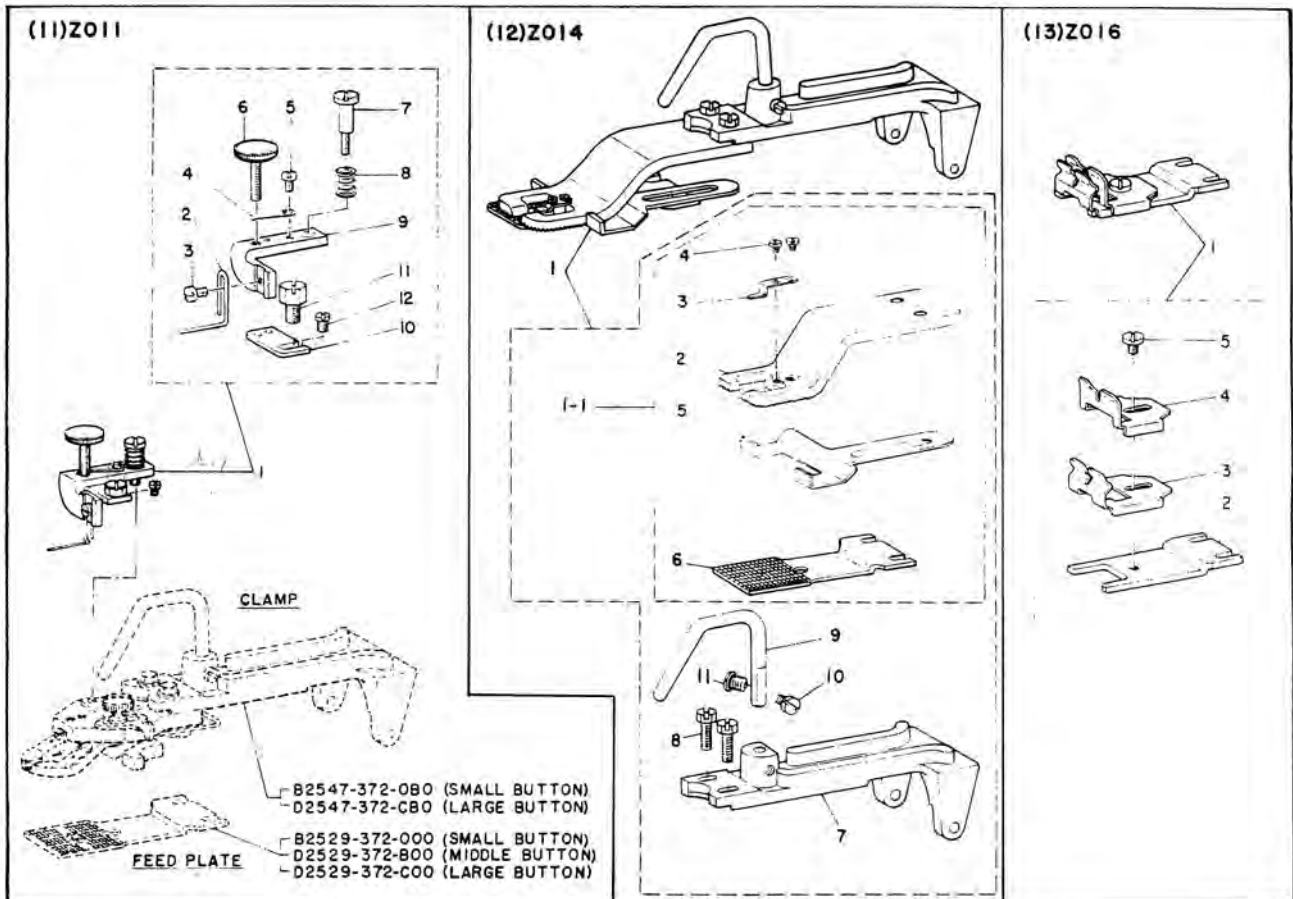


B3120-372-000
cl. 372; 373



B1111-372-000

RICAMBI JUKI 372-373



Ref. No.	Note	Part No.	Description	E.C.	品名	Amt Req.
注記	品番			変更年月		数量
(11) Z011 ATTACHMENT FOR FIRST PROCESS OF WRAPPED-AROUND BUTTONS						
1		MAT-61100ZA0	Wrapped-around button clamp asm.	D.7/78	根巻第一工程用アタッチメント	-
2		MAT-61103Z00	Guide bar, shank button width	D.7/78	根巻巾案内棒	-
3		SS-7080410-SP	Screw 1/8-44 L=3.8	D.7/78	案内棒止ネジ	-
4		MAT-61107Z00	Clamping button spring	D.7/78	ユルミ止メハネ	-
5		SS-7080410-SP	Screw 1/8-44 L=3.8	D.7/78	ユルミ止メハネ止ネジ	-
6		MAT-61105Z00	Thread guide bar adjusting knob	D.7/78	糸ツリ棒調節ツマミ	-
7		MAT-61104Z00	Open lever stopped screw	D.7/78	根巻用開キレバー止段ネジ	-
8		MAT-61108Z00	Adjusting base presser spring	D.7/78	調節土台押エハネ	-
9		MAT-61101ZA0	Adjusting base asm.	D.7/78	調節土台(組)	-
10		MAT-61102Z00	Adjusting screw holding base	D.7/78	張り受台	-
11		SS-9120780-SP	Screw 3/16-28 L=7.0	D.7/78	張り受台止ネジ	-
12		SS-6090440-SP	Screw 9/64-40 L=4.0	D.7/78	回り止メネジ	-
(12) Z014 ATTACHMENT FOR LABELS						
1		MAT-61401ZB0	Z014 asm.	A.3/76	ラベル付用アタッチメント	1
1-1		MAT-61401ZA0	Clamp asm. for label		ラベル付クランプ(組)	(1)
2		MAT-61401Z00	Clamp for label		ラベル付クランプ	(1)
3		MAT-61402Z00	Clamp spring		クランプハネ	(1)
4		SS-5060310-SP	Screw 3/32-56 L=2.8		クランプハネ止ネジ	(2)
5		MAT-61403Z00	Stopper		ストッパー	(1)
6		MAZ-01404000	Feed plate	A.9/75	ラベル付用布押エ下板	(1)
7		B2542-372-000	Button clamp holder	A.3/76	ツマミ装置取付台	(1)
8		SS-9621413-SP	Screw 3/16-32 L=13.5	A.3/76	ツマミ足取付台止ネジ	(2)
9		B2546-372-000	Button clamp lifting hook	A.3/76	ツマミ装置引上げフック	(1)
10		SS-7150940-SP	Screw (A) 15/64-28 L=9.0	A.3/76	ツマミ装置引上げフック止ネジ(A)	(1)
11		SS-8150510-TP	Screw (B) 15/64-28 L=4.7	D.2/85	SS-7150940-SP	-
		SS-7150940-SP	Screw 15/64-28 L=9.0	A.2/85	ツマミ装置引上げフック止ネジ	(1)
(13) Z016 ATTACHMENT FOR SECOND PROCESS OF WRAPPED-AROUND BUTTONS						
1		MAT-61601ZA0	Feed plate asm.		根巻第二工程用アタッチメント	1
2		MAT-61601Z00	Feed plate		根巻取付板(組)	(1)
3		MAT-61603Z00	Cloth plate		根巻取付板	(1)
4		MAT-61602Z00	Plate		根巻ボタン布受板	(1)
5		SS-7110570-SP	Screw 11/64-40 L=4.8		根巻ボタン受板止ネジ	(1)

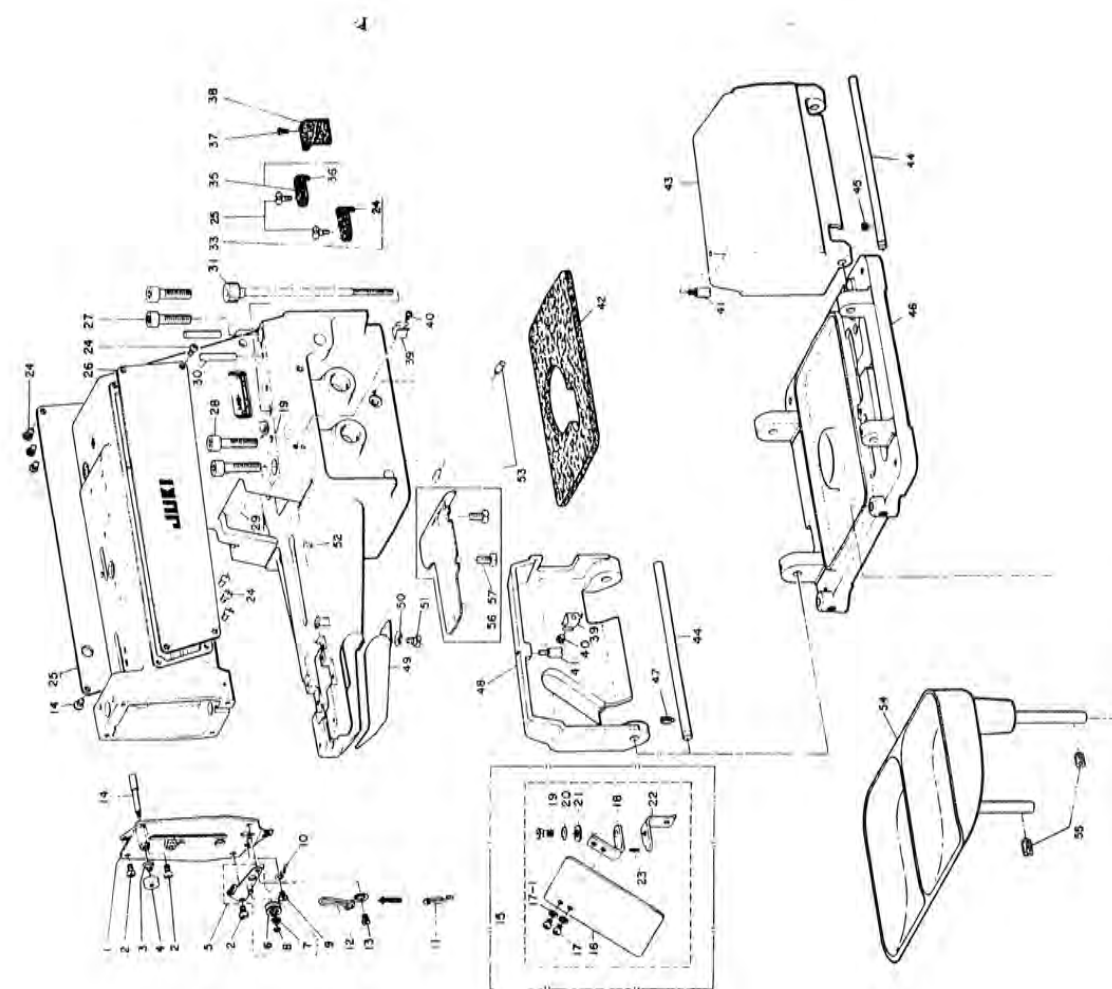
* This attachment is used in common with MB-372-15.
 * このアタッチメントはMB-372-15のミシンと共用します。

RICAMBI JUKI 372-373

2. ARM & MISCELLANEOUS COVERS COMPONENTS

Ref. No.	Note	Part No.	Description
1		B3101-372-0A0	Machine arm / front cover asm.
2		SS-5110810-SP	Screw 11/64-40 L=8.0
3		SS-4110815-SP	Screw 11/64-40 L=8.0
4		B3149-123-A00	Nipper releasing plunger spring
5		B3103-372-000	Knurled thumb nut
6		B3108-372-0A0	Thread tension guide No.3 asm.
7		B3149-123-A00	Thread tension guide No.3 disc
8		B3110-372-000	Thread tension guide No.3 spring
9		RE-0300000-K0	Shap ring
10		SS-7110340-SP	Screw 11/64-40 L=3.2
11	01	B3108-372-000	Thread guide No.4
12		B3107-372-000	Thread guide No.3
13		SS-5110810-SP	Screw 11/64-40 L=8.0
14		B3104-372-000	Nipper releasing plunger
15		B3120-372-0A0	Safety plate asm.
16		B3120-372-000	Safety plate
17		03 SS-7110740-TL	Screw 11/64-40 L=7.0
17-1		03 SS-4110715-SP	Screw 11/64-40 L=7.0
18		03 WP-0450601-SD	Washer 4.5 x 10 x 0.8
19		03 B3121-372-000	Installing plate
20		03 SD-0600401-SD	Hinge screw D=6.00 H=4.0
21		03 B3125-155-000	Spring washer
22		03 WP-0650876-SD	Washer 6.5 x 13.0 x 0.6
23		03 B3122-372-000	Installing base
24		03 B3123-372-000	Stopper pin
25		03 PS-0200062-KH	Pin
26		SS-5110810-SP	Screw 11/64-40 L=8.0
27		SS-4110815-SP	Screw 11/64-40 L=8.0
28		B1112-372-000	Machine arm side cover (LEFT)
29		B1112-372-000	Machine arm side cover (RIGHT)
30		SM-6083042-CP	Connecting screw (A) M8 x 1.25 L=30
31		SM-6083042-CH	Connecting screw (A) M8 x 1.25 L=30
32		SM-6083542-CP	Connecting screw (B) M8 x 1.25 L=35
33		SM-6083542-CH	Connecting screw (B) M8 x 1.25 L=35
34		B3501-372-0A0	Oil wick
35		CO-3030000-00	Oil supply tube
36		B3502-372-0A0	Oil felt (SMALL) asm.
37		SS-7110820-SP	Screw 11/64-40 L=7.5
38		B3503-372-000	Oil felt (LARGE) asm.
39		B1111-372-000	Oil wick
40		SS-7090520-SP	Screw 9/64-40 L=4.5
41		B1120-372-000	Oil strap felt
42		B1104-372-A00	Stop motion & pulley cover (RIGHT)
43		B1109-372-000	Stud
44		B1110-372-000	Stud
45		SS-8150410-SP	Screw (RIGHT) 15/64-28 L=4.0
46		B1103-372-000	Machine sub base
47		SS-8151150-SP	Screw (LEFT) 15/64-28 L=10.5
48		B1108-372-000	Stop motion & pulley cover (LEFT)
49		B1118-372-000	Lantern cover
50		WS-0650289-NP	Washer 6.5 x 14.0 x 1.7
51		SD-0600271-SP	Hinge screw D=6.00 H=2.7
52		E3506-372-000	Oil supply tube
53		S2504-372-000	Fixed cam position indicating pin
54		B8210-372-0A0	Button tray asm.
55		SS-8150710-SP	Screw 15/64-28 L=7.0
56	02	B1119-372-000	Bottom shield
57	02	SS-7110840-SP	Screw 11/64-40 L=7.8

Note (注記) 01 For MB-372
 02 For MB-373
 03 Special order parts for MB-372, MB-373

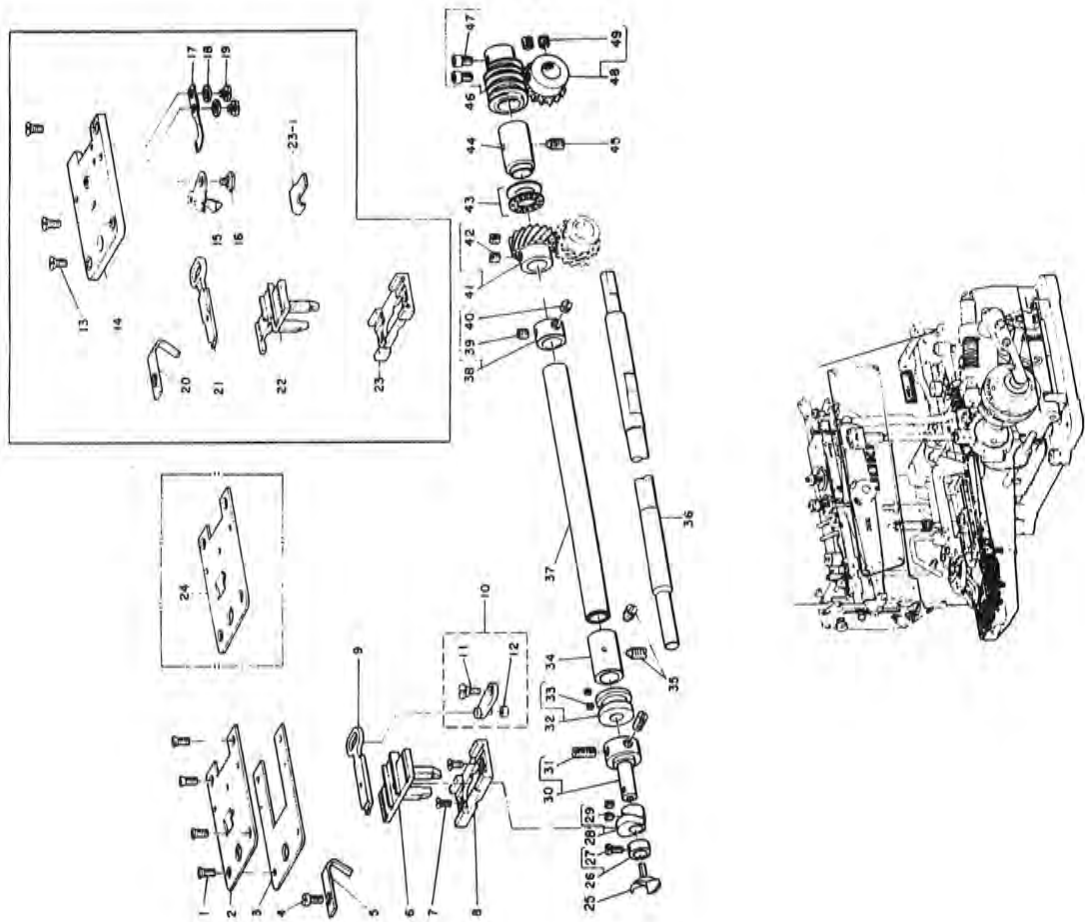


3. LOOPER SHAFT MECHANISM COMPONENTS

3. LOOPER SHAFT MECHANISM COMPONENTS

Ref. No.	Note	Part No.	品名	Description
1		SS-2110920-TP	Screw	Screw 11/64-40 L=8.5
2	01	B1241-372-000	Throat plate	Throat plate
3	01	B1240-372-000	Spacer plate	Spacer plate
4		SS-7110710-SP	Screw	Screw 11/64-40 L=7.0
5	01	B1242-372-000	Needle guide	Needle guide
6	01	B1236-372-000	Positioning finger yoke slide	Positioning finger yoke slide
7		SS-1110710-SP	Screw	Screw 11/64-40 L=7.0
8	01	B1235-372-000	Yoke slide insert	Yoke slide insert
9	01	B1237-372-000	Yoke slide	Yoke slide
10		B1230-372-0A0	Loop positioning finger asm.	Loop positioning finger asm.
11		SD-0840241-SP	Hinge screw	Hinge screw D=6.35 H=2.4
12		B1232-372-000	Lever roll	Lever roll
13		SS-2110920-TP	Screw	Screw 11/64-40 L=8.5
14		B1241-373-0A0	Throat plate asm.	Throat plate asm.
15		B1241-373-000	Throat plate	Throat plate
16	02	B2406-373-0A0	Moving knife asm.	Moving knife asm.
17	02	SD-0600095-TH	Hinge screw	Hinge screw D=6.00 H=0.85
18	02	B2410-373-000	Fixed knife	Fixed knife
19	02	WF-0370316-SD	Washer	Washer 3.7 x 6.0 x 0.3
20	02	SS-7080310-SP	Screw	Screw 1/8-44 L=3.0
21	02	B1242-373-000	Needle guide	Needle guide
22	02	B1237-373-000	Yoke slide	Yoke slide
23	02	B1236-373-000	Positioning finger yoke slide	Positioning finger yoke slide
23-1	02	B1235-373-000	Yoke slide insert	Yoke slide insert
24	04	B1241-372-800	Moving knife positioning gauge	Moving knife positioning gauge
25		B1239-372-000	Throat plate, thick	Throat plate, thick
26		CS-079061A-TH	Looper	Looper
27		CS-079072A-TH	Collar asm.	Collar asm.
28		SS-7090620-TP	Screw	Screw 9/64-40 L=6.1
29		B1234-372-0A0	Loop positioning finger cam asm.	Loop positioning finger cam asm.
30		SS-8110410-TP	Screw	Screw 11/64-40 L=3.5
31		B1233-372-0A0	Cams & looper sleeve asm.	Cams & looper sleeve asm.
32		SS-8150410-TP	Screw	Screw 15/64-28 L=4.0
33		SS-8110310-SP	Loop positioning finger cam asm.	Loop positioning finger cam asm.
34		B1227-372-000	Looper shaft bushing, front	Looper shaft bushing, front
35		SS-8151150-SP	Screw	Screw 15/64-28 L=10.5
36		B1219-372-000	Looper shaft	Looper shaft
37		B1226-372-000	Tube	Tube
38		CS-1111018-SH	Collar asm.	Collar asm.
39		SS-8660512-TP	Screw	Screw 1/4-40 L=5.0
40		SS-8660612-TP	Screw	Screw 1/4-40 L=6.0
41		SS-8660330-SP	Screw	Screw 1/4-40 L=3.0
42		B1224-372-0A0	Looper shaft driven gear (B) asm.	Looper shaft driven gear (B) asm.
43		SS-8660612-TP	Screw	Screw 1/4-40 L=6.0
44		B1215-372-A00	Looper shaft thrust ball bearing	Looper shaft thrust ball bearing
45		B1222-372-000	Looper shaft bushing, rear	Looper shaft bushing, rear
46		SS-8151150-SP	Screw	Screw 15/64-28 L=10.5
47		B1221-372-0A0	Driving worm gear asm.	Driving worm gear asm.
48		SS-8660712-TP	Screw	Screw 1/4-40 L=7.0
49		B1220-372-0A0	Cam shaft driven gear asm.	Cam shaft driven gear asm.
		SS-8660612-TP	Screw	Screw 1/4-40 L=6.0

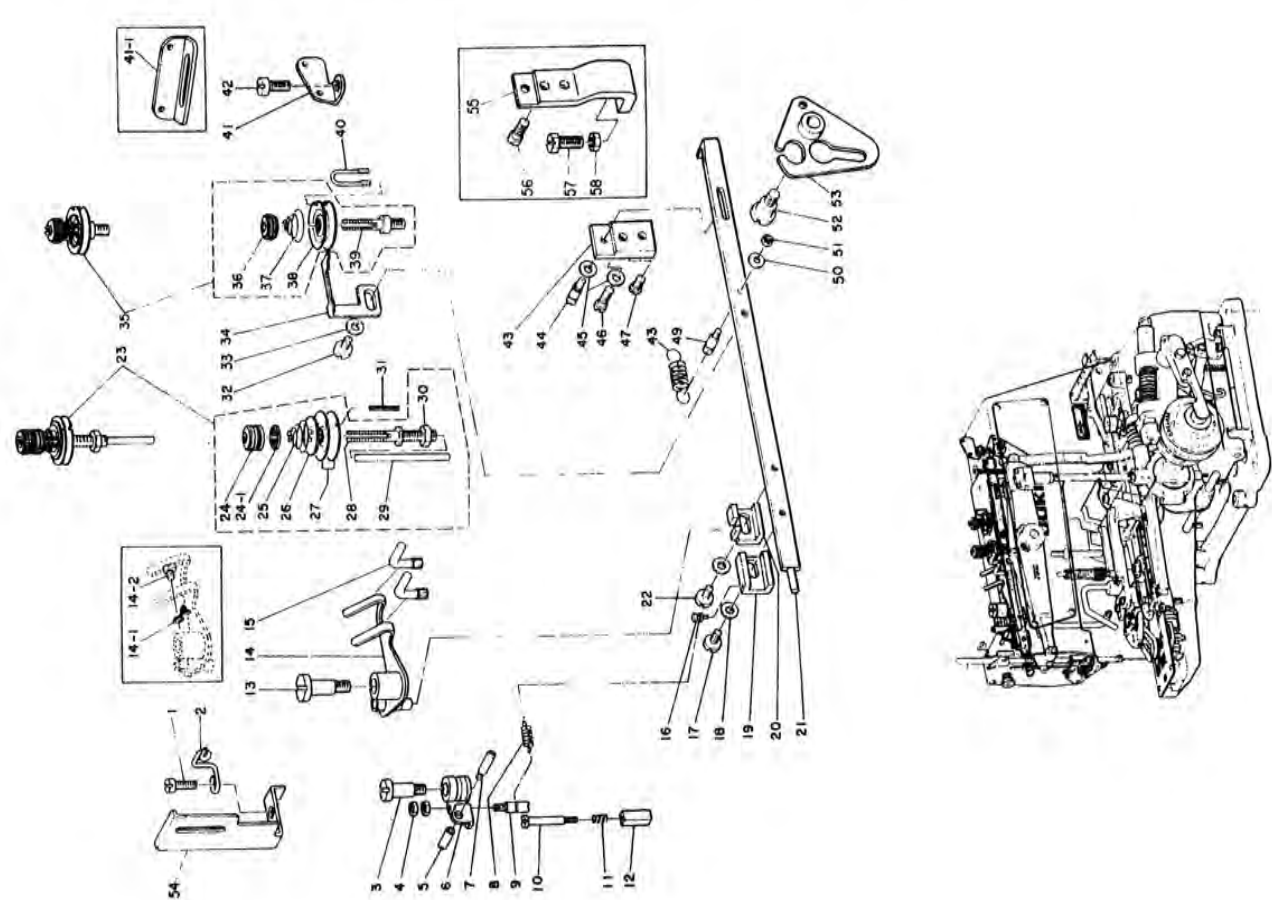
Note (注記) 01 For MB-372
 02 For MB-373
 04 Special order part for MB-372 MB-372 用特別品
 MB-373 用
 MB-372 用特別品



4. NIPPER & THREAD TENSION PARTS COMPONENTS

Ref. No.	Note	Part No.	Description
注記	品番		
1		SS-3150710-TP	Screw 15/64-28 L=6.5
2		SS-7151210-SP	Screw 15/64-28 L=12.0
3		B2038-372-000	Thread guide No.2
4		SD-0791271-SP	Hinge screw D=7.94 H=12.7
5		NS-6080210-SP	Nut 1/8-44
6		B2035-372-000	Thread nipper asm.
7		B2034-372-000	Thread releasing pin
8		B2037-372-000	Nipper bar block spring
9		B2036-372-000	Stud
10		SD-0402001-SP	Hinge screw D=4.00 H=20.0
11		SD-0402001-TP	Hinge screw D=4.00 H=20.0
12		B2029-372-000	Nipper block spring
13		B2028-372-000	Nipper block
14		SD-0791501-SP	Hinge screw D=7.94 H=15.0
14-1		B2025-372-0A0	Thread pull-off lever asm.
14-2		B2026-372-0B0	Thread pull-off lever asm.
15	02	SS-7090510-SP	Thread guide
16		B2024-372-000	Screw 9/64-40 L=4.6
17		B2012-372-000	L shaped thread guide
18		SS-6120930-TP	Nipper bar block spring pin
19		WP-0601016-SD	Screw 3/16-28 L=9.0
20		B2011-372-000	Washer 5.0 x 10.5 x 1.0
21		B2010-372-000	Nipper bar block
22		B2009-372-000	Nipper bar block, rear
23		SS-6120930-SP	Nipper bar
24		B2019-372-0A0	Screw 3/16-28 L=9.0
24.1		B3116-125-000	Tension post No.2 asm
25		B3120-125-000	Nut
26		B3114-232-000	Stopper
27		B3132-012-000	Spring No. 2
28		B2016-372-000	Lifting washer
29		B2019-372-000	Disc
30		NS-6160520-SP	Post No. 2
31		PS-0200142-K0	Release pin
32		SS-6120930-SP	Nut 1/4-24
33		WP-0601016-SD	Tension disc pin No. 2
34		B2009-372-000	Tension disc pin No. 2
35		B2015-372-0A0	Washer 5.0 x 10.5 x 1.0
36		B2314-019-000	Tension releasing lever
37		B3125-012-000	Tension post No.1 asm
38		B2017-372-000	Nut
39		B2016-372-000	Spring No. 1
40		B2014-372-000	Disc
41	01	B1111-232-000	Post No. 1
41-1	02	B2039-373-000	Tension disc pin No. 1
42		SS-7151210-SP	Thread guide No. 1
43	01	B2005-372-000	Screw 15/64-28 L=12.0
44		B2006-372-000	Nipper bar bearing block
45		WP-0480855-SP	Adjusting screw
46	01	SS-6121610-SP	Washer 4.8 x 8.4 x 0.8
47	01	SS-6121610-TP	Screw (A) 3/16-28 L=15.5
48		SS-6121610-SP	Screw (A) 3/16-28 L=15.5
49		B2008-372-000	Screw (B) 3/16-28 L=9.5
50		WP-0371016-SD	Nipper bar spring
51		NS-6080340-SP	Nipper bar
52		SD-0790803-SP	Washer 3.7 x 8.0 x 1.0
53		B2001-372-0A0	Nut 1/8-44
54		B1421-372-0A0	Hinge screw D=7.94 H=8.0
55		B2005-373-000	Nipper bar actuating lever asm
56		B2005-373-000	Needle bar guard
57		SS-6121610-TP	Nipper bar bearing block
58		SS-6121610-TP	Screw (A) 3/16-28 L=15.5
59		NS-6150310-SP	Screw 15/64-28 L=14.0
60		NS-6150310-SP	Nut 15/64-28

Note (注記) : 01 For MB-372 MB-372用
 : 02 For MB-373 MB-373用

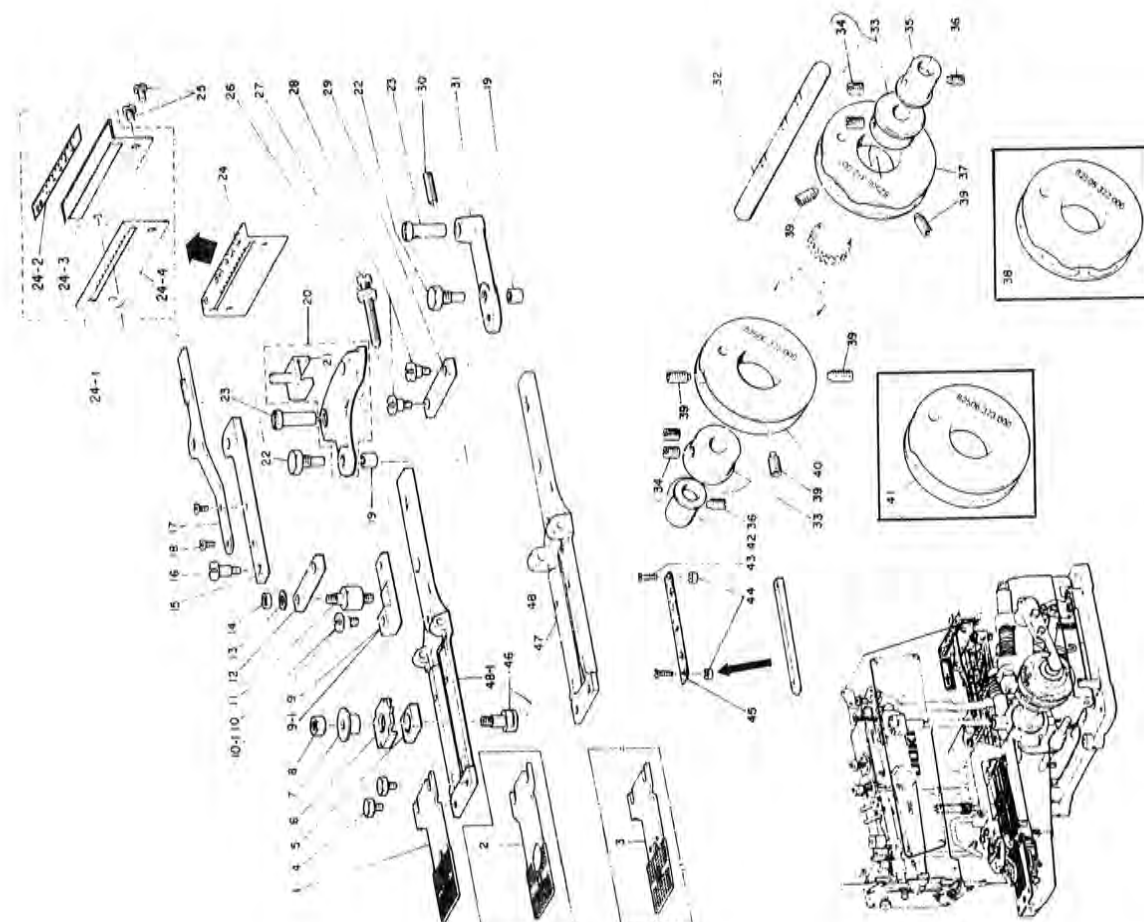


5. FEED PLATE COMPONENTS

5. FEED PLATE COMPONENTS

Ref. No.	Note	Part No.	Description
1	.01	B2529-372-000	Feed plate, small button
2	02	B2529-372-000	Feed plate, small button
3	04	B2529-372-000	Feed plate, small button
4		SS-9120643-TP	Screw 3/16-28 L=6.0
5		B2524-372-000	Indicator pin bearing block
6		B2525-372-000	Crosswise feed indicator
7		B2526-372-000	Pin
8		NS-6160520-SF	Nut 1/4-24
9		B2518-372-000	Slide plate connecting link
9-1		B2518-372-000-A	Slide plate connecting link
10		SD-0640481-SP	Hinge screw (LARGE) D=6.35 H=9.6
10-1		SD-0640481-SP	Hinge screw D=6.35 H=9.6
11		B2521-372-000	Stud
12		B2519-372-000	Intermediate connecting link
13		WP-0501016-SD	Washer 5.0 x 10.5 x 1.0
14		NS-6120310-SP	Nut 3/16-28
15		B2513-372-000	Lengthwise feed adjusting lever base
16		SD-0640481-SP	Hinge screw D=6.35 H=9.6
17		B2515-372-000	Lengthwise feed adjusting lever
18		SS-4080610-SP	Screw 9/64-40 L=6.0
19		B2507-372-000	Feed cam roller
20		B2511-372-0A0	Lengthwise feed lever asm.
21		B2512-372-000	Adjusting block
22		B2508-372-000	Feed cam roller stud
23		B2509-372-000	Feed stud
24		B2509-372-000-A	Feed stud
24-1		B2516-372-000	Lengthwise feed graduated plate
24-2		B2563-372-0A0	Lengthwise feed graduated plate asm.
24-3		B2563-372-000	Lengthwise feed graduated plate
24-4		B2564-372-000	Lengthwise feed graduated plate base
25		B2566-372-000	Stopper
26		SS-7120640-SP	Screw 3/16-28 L=6.0
27		SS-4120615-SP	Screw 3/16-28 L=6
28		NS-6150540-SP	Nut 15/64-28
29		B2531-372-000	Screw
30		SD-0640481-SP	Hinge screw (SMALL) D=6.35 H=4.8
31		B2519-372-000	Feed link
32		SS-8152020-SP	Screw 15/64-28 L=20.0
33		B2510-372-000	Crosswise feed lever
34		B2501-372-000	Cam shaft
35		B2530-372-0A0	Feed cam box asm.
36		SS-8680810-TP	Screw 9/32-28 L=8.0
37		B2502-372-000	Cam shaft bushing (RIGHT)
38		SS-8151150-SP	Screw 15/64-28 L=10.5
39		01 B2505-372-000	Crosswise feed cam
40		02 B2505-372-000	Crosswise feed cam
41		B2506-373-000	Lengthwise feed cam
42		B2503-372-000	Cam shaft bushing (LEFT)
43		SS-1061010-SP	Screw 3/32-56 L=10.0
44		SS-7060810-SP	Screw 3/32-56 L=8
45		B2527-372-000	Crosswise feed graduated plate base
46		B2528-372-000	Crosswise feed graduated plate
47		B2523-372-000	Hinge screw
48-1		.01 B2522-372-000	Feed plate
48-1		.02 B2522-373-000	Feed plate
48-1		.04 B2522-373-000-A	Feed plate

Note (注記) .01 For MB-372
 .02 For MB-373
 .04 Special order part for MB-372
 MB-372用
 MB-373用
 MB-372用特別注文品

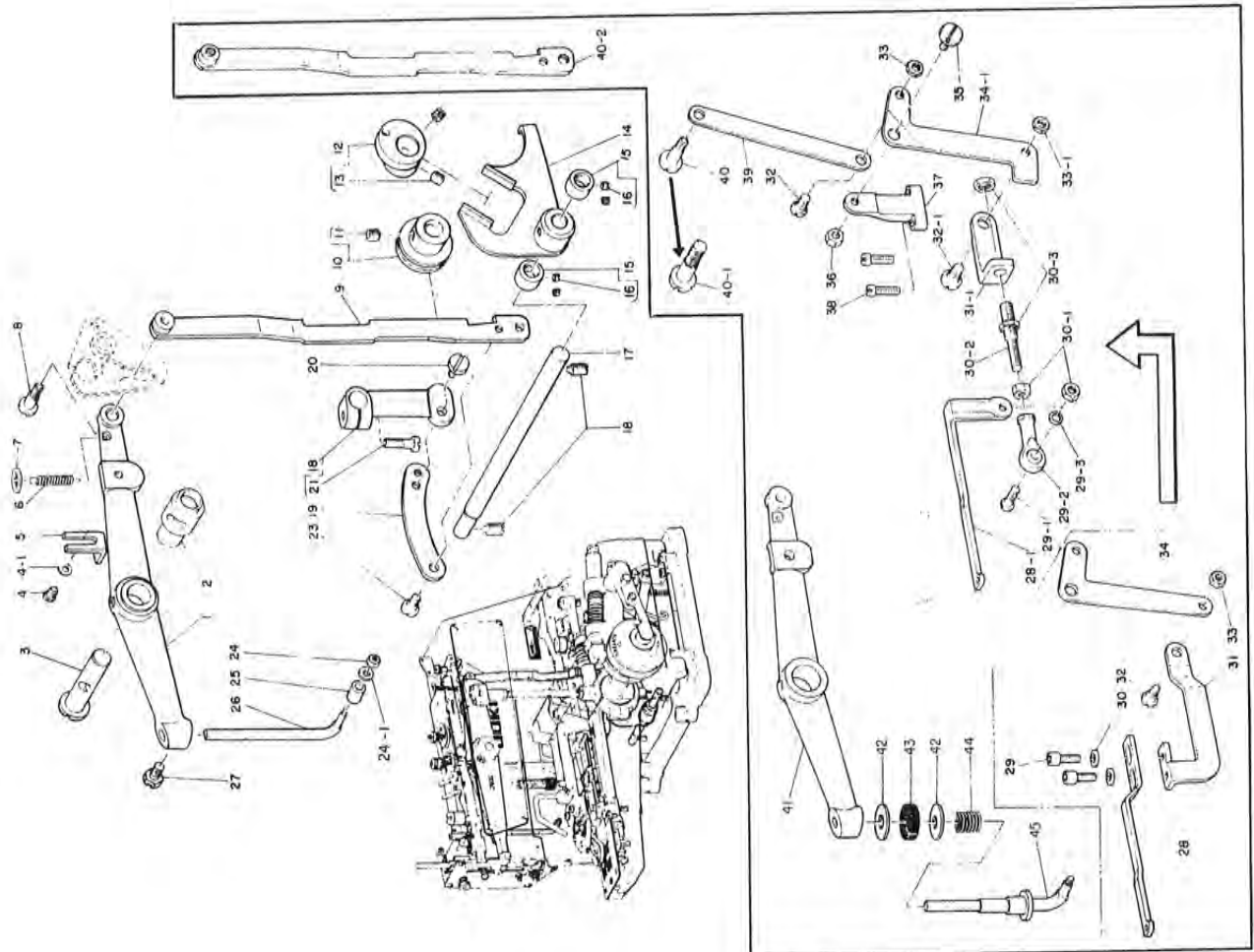


6. BUTTON CLAMP LIFTER COMPONENTS

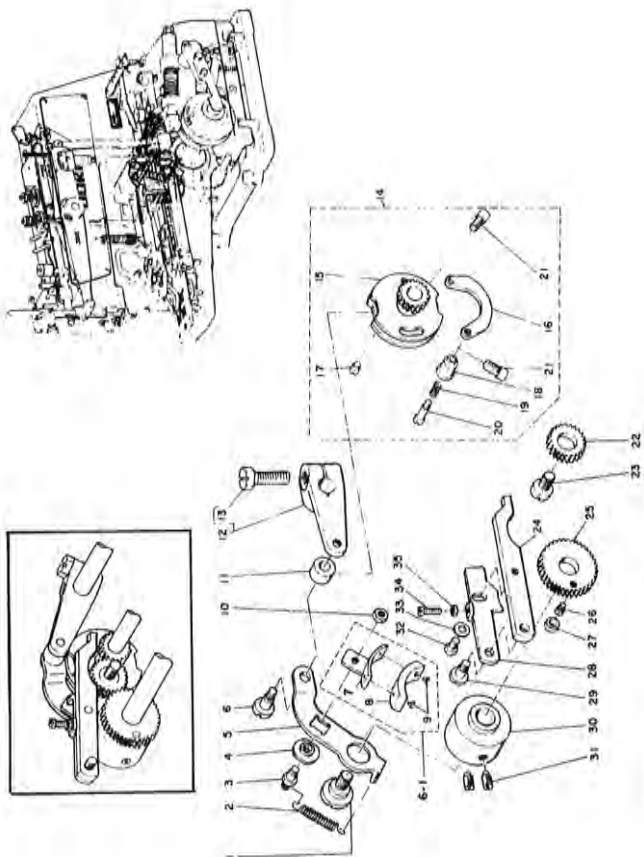
Ref. No.	Note	Part No.	品番	Description
1	.01	B4412-372-000		Button clamp lifting lever
2		B1407-372-000		Bushing
3		B1408-372-000		Button clamp lifting lever shaft
4	.01	SS-7150740-SP		Screw 15/64-28 L*7.0
4-1		WP-0851846-SC		Washer
5	.01	B4415-372-000		Lifting lever stopper plate
6		B4419-372-000		Spring
7		B4418-372-000		Washer
8	.01	SD-0641001-SP		Hinge screw D=6.35 H=10.0
9	.001	B4411-372-000-A		Button clamp lifting link
10		B4410-372-0A0		Slide guide asm.
11		SS-8660612-TP		Screw 1/4-40 L=6.0
12		B4405-372-0A0		Eccentric cam asm.
13		SS-8660612-TP		Screw 1/4-40 L=6.0
14		B4401-372-0A0		Button clamp forked rod asm.
15		CS-0950810-SH		Thrust collar asm.
16		SS-8110410-TP		Screw 11/64-40 L=3.5
17		B4404-372-000		Shaft
18		SS-8151150-SP		Screw 15/64-28 L=10.5
19		B4408-372-000		Lifting link connecting link
20		B4406-372-0A0		Button clamp lifting link lever asm
21		B4406-372-0A0-A		Button clamp lifting link lever asm
22		SS-6121610-TP		Screw 3/16-28 L=15.5
23		SD-0640471-SP		Hinge screw D=6.35 H=4.7
24		SD-0640211-SP		Hinge screw D=6.35 H=2.1
24-1		NS-6090530-SP		Nut 9/64-40
24-2		NS-6090310-SP		Nut 9/64-40
25		WP-0371026-SD		Washer 3.7 x 7 x 1
26		B4416-372-000		Button clamp lifting rod roller
27	.01	B4416-372-000		Button clamp lifting rod
28		SS-9151120-SP		Screw 15/64-28 L=11.0
28-1		SS-9151120-CP		Screw 15/64-28 L=11.0
29	.02	B2404-373-000-A		Thread trimming connecting link (SMALL)
29-1		B2404-373-000-A		Thread trimming connecting link (FRONT)
29-2		B2404-373-R00		Thread trimming connecting link (FRONT)
29-3		SS-6121212-TP		Screw 3/16-28 L=12.0
30	.02	B1632-1800-000		Joint stud
30-1		WP-0510516-SD		Washer 5.1 x 7.5 x 0.5
30-2		WP-0501016-SC		Washer 5.0 x 10.5 x 1.0
30-3		NS-6050001-SP		Nut M5
31	.02	B2412-373-000		Connecting screw
31-1		NS-6680330-SP		Nut 9/32-28
31-2		NS-6680320-SP		Nut 9/32-28
32	.02	B2403-373-000-A		Thread trimming connecting link (LARGE)
32-1		SD-0640323-TP		Thread trimming connecting link (REAR)
32-2		SD-0790402-TP		Hinge screw D=6.35 H=3.2
33	.02	NS-6620310-SP		Hinge screw D=7.94 H=4
33-1		NS-6150320-SP		Nut 3/16-32
34	.02	NS-6150310-SP		Nut 15/64-28
34-1		B2402-373-000		Thread trimming lever
34-2		B2402-373-000-A		Thread trimming lever
35	.02	SD-0790311-SP		Hinge screw D=7.94 H=3.1
36	.02	NS-6110530-SP		Hinge screw D=7.94 H=3.1
37	.02	B2405-373-000		Nut 11/64-40
38	.02	SS-7111410-TP		Thread trimming lever base
39	.02	B2401-373-000		Screw 11/64-40 L=14.0
40	.02	SS-0541321-TP		Thread trimming link
40-1		SS-0641322-TP		Hinge screw D=6.35 H=13.20
40-2	.02	B4411-373-000		Hinge screw D26.35 H=13.2
41	.02	B4412-373-000		Button clamp lifting link
42	.02	WP-0751576-SD		Button clamp lifting lever
43	.02	B4420-373-000		Washer 7.5 x 19.0 x 1.5
44	.02	D9219-555-800		Cushion
45	.02	B4416-373-A40		Spring
				Button clamp lifting rod arm.

Note (注記) ① For MB-372 MB-373用
② For MB-373 MB-373用

6. BUTTON CLAMP LIFTER COMPONENTS

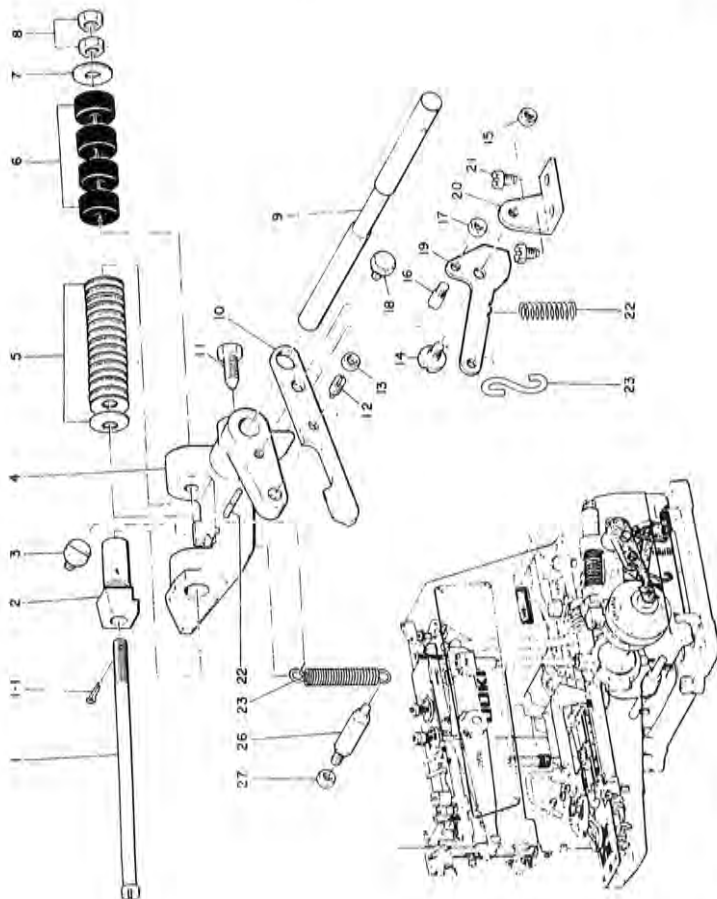


10. STITCH SELECTING PARTS COMPONENTS



Ref. No.	Note	Part No.	Description
1		SD-1127321-SP	Hinge screw D=12.70 H=3.2
2		B2643-372-000	Friction plate spring
3		B2638-372-000	Rotating stud
4		B2637-372-000	Friction wheel slide block
5		B2636-372-000	Speed slowing lever
6		SD-0791331-SP	Hinge screw D=7.94 H=13.3
6-1		B2639-372-0A0	Friction plate holder arm
7		B2638-372-000	Friction plate holder
8		B2640-372-000	Speed slowing friction plate
9		B2641-372-000	Friction plate caulking pin
10		NS-6110310-SP	Nut 11/64-40
11		B2619-372-000	Stitch adjusting cam roller
12		B2618-372-0A0	Lever arm
13		SS-9202443-CP	Screw 5/16-18 L=22.0
14		B2621-372-0B0	Stitch adjusting cam arm
15		B2623-372-0A0	Stitch adjusting cam arm
16		B2623-372-000	Stitch adjusting plate
17		B2624-372-000	Screw
18		B2625-372-000	Cam knob
19		B2626-372-000	Spring
20		SD-0481451-SP	Hinge screw D=4.80 H=14.5
21		SS-6151142-TP	Screw 15/64-28 L=10.5
22		B2629-372-000	Stitch adjusting gear (INTERMEDIATE)
23		B2628-372-000	Intermediate gear stud
24		B2633-372-000	Stitch selecting lever (LARGE)
25		B2630-372-000	Stitch selecting gear (LARGE)
26		B2631-372-000	Screw
27		B2632-372-000	Roller
28		B2634-372-000	Stitch selecting lever (SMALL)
29		SD-0640961-SP	Hinge screw D=6.35 H=9.6
30		B2635-372-000	Speed slowing friction wheel
31		SS-8151150-TP	Screw 15/64-28 L=10.5
32		SS-9111010-SP	Screw 11/64-40 L=9.5
33		WP-0501016-SD	Washer 5.0 x 10.5 x 1.0
34		SS-6081210-SP	Screw 1/8-44 L=12.0
35		NS-6080210-SP	Nut 1/8-44

9. STOP MOTION MECHANISM COMPONENTS

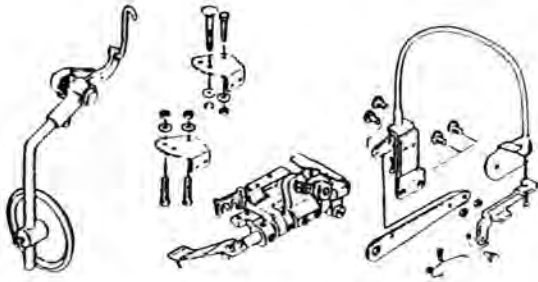


Ref. No.	Note	Part No.	Description
1		B2605-372-000	Stop motion plunger rod
1-1		PD 0201000-0B	Cotter pin
2		B2604-372-000	Plunger
3		SS-6151040-SP	Screw 15/64-28 L=10.0
4		B2602-372-000	Frame
5		B2605-372-000	Disc spring
6		B2607-372-000	Rubber cushion
7		B2608-280-000	Rubber cushion
7		WP-0751576-SD	Washer 7.5 x 19.0 x 1.5
8		88220-804-000	Washer
8		NS-6680410-SP	Nut 9/32-28
9		B2601-372-000	Lever shaft
10		B2511-372-000	Pressure applying lever
11		B2603-372-000	Set screw
12		SS-8151570-SP	Screw 15/64-28 L=15.0
13		NS-6150310-SP	Nut 15/64-28
14		SD-0680271-SP	Hinge screw D=6.80 H=2.7
15		NS-6150310-SP	Nut 15/64-28
16		B2615-372-000	Stop motion trip lever pin
17		NS-6150370-SP	Nut 15/64-28
18		SS-9151160-SP	Screw 15/64-28 L=10.5
19		B2614-372-000	Stop motion trip lever
20		B2612-372-000	Bracket
21		SS-9150260-SP	Screw 15/64-28 L=8.0
22		B2616-372-000	Spring
23		BB133-019-000	"S" chain hook
24		B2608-372-000	Spring pin
25		B2609-372-000	Spring
26		B2610-372-000	Screw
27		NS-6150310-SP	Nut 15/64-28

RICAMBI JUKI

GRUPPO ARRICCIATORE

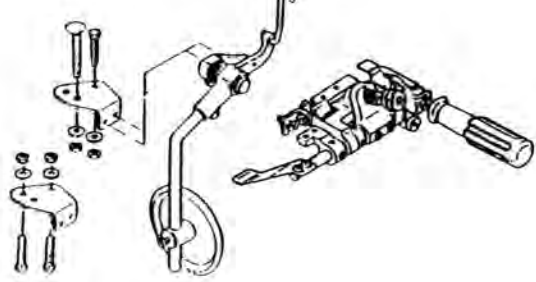
Pedal Type



#S057 for MO-2416 / 2516 (DD6, FF6)
 #S058 for MO-2404 / 2504 (OD6)
 MO-2414 / 2514 (BD6)

 #MAS-05108000 shirring blade (S057)
 #MAS-05208000 shirring blade (S058)

Manual Type



#S097 for MO-2416 / 2516 (DD6, FF6)
 #S098 for MO-2404 / 2504 (OD6)
 MO-2414 / 2514 (BD6)

 #MAS-05108000 shirring blade (S097)
 #MAS-05208000 shirring blade (S098)

TRASFORMAZIONI PER ARRICCIATORE

MO-2416 / 2516 (FF6) Wide gauge (5x5 mm.)



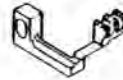
118-80457
Foot asm.



R4612-HOF-GOO
Throat plate



118-84103
Main feed dog



118-85902
Diff. feed dog



B4120-816-FOCA
Needle guard



SS-7060610-SP
Screw

MO-2416 / 2516 (DD6) Narrow gauge (3x3 mm.)



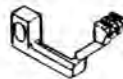
118-79657
Foot asm.



R4608-HOD-FOO
Throat plate



118-83907
Main feed dog



118-85803
Diff. feed dog



B4120-816-DOBA
Needle guard



SS-7060610-SP
Screw

KL.2404/2504 (OD6)



118-78857
Foot asm.



R4300-HOD-DOA
Throat plate



118-83402
Main feed dog



B1657-814-BOL
Diff. feed dog

KL.2414/2514 (BD6)



R4305-HOD-EOA
Throat plate



118-79350
Foot Asm.

PIEDINO PASSA ELASTICO



GLPF683053

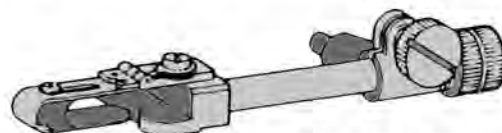
kl. 2500 ~ 3600

118-79251



118-78550
Foot asm.

GUIDA E PIEDINO PER ORLARE



MAT-80101LAB
Blind hemming att. (B)

RICAMBI JUKI

classe MO-2400:MO-2500



118-20404



118-20305



118-20909



118-20156



B-1515-804-00B



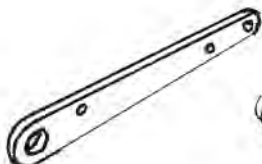
118-20206



118-19406



SS-7161040-SP



118-19307



118-19109



118-19208



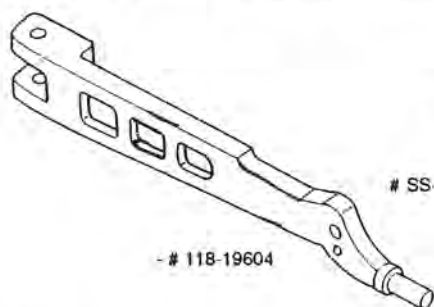
SS-7111410-SP



NS-6110310-SP



B-1529-804-000



- # 118-19604



SS-5060410-SP



B-1528-804-000-A



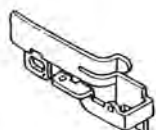
SS-6090650-SP



B-1515-816-000



B-1512-816-000



118-29504



B-2204-816-000



118-29603



B-3113-352-000



118-16709



118-17202



118-47100



118-90100
(MO-2504)



SS-711840-SP



SS-7090610-SP



118-90308
(MO-2514)



118-90506
(MO-2516)



118-90605
(MO-2516)



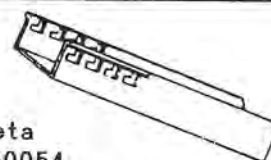
118-90704
(MO-2516)



SS-7090510-SP



- # 118-50005



118-49908

completa
118-50054

Upper looper

2514
For MO-2504
2516
(Needle #8-#13)



118-88005

2504
For MO-2514
2516
(Needle #14-#20)



118-88104

For MO-2504
2516
(Needle #21)
MO-2514
(Needle #9-#16)



118-88302

For MO-2504
2516



B2519-804-000

2414
For MO-2514
2316



B2519-814-000

Chain looper
2516
For MO-2416
2316



118-29405

Lower looper
all classes



116-88401

RICAMBI JUKI

classe MO-2400; MO-2500



115-50852



B-3102-704-0B0



B-3101-704-0B0



B-3103-704-0B0



B-3105-804-000



B-2314-019-000



B-3106-704-00C
- giallo -



B-3106-704-00A
- rosso -



B-3106-704-00B
- blu -



B-3105-804-000



B-3120-125-000



B-3112-704-000



B-3112-704-000



B-3112-704-000



B-2017-372-000



B-3102-804-000



B-3101-804-000



B-3103-804-000



B-3126-012-000



B-3107-704-000



B-3107-704-000



B-3107-704-000



B-3120-352-000



B-3120-704-000



B-3120-704-000



B-3120-704-000



115-50803



B-3126-012-000



B-3126-012-000



B-3126-012-000



115-50308



B-3120-352-000



B-3120-352-000



B-3120-352-000



B-3105-804-000



118-16006
(MO-2504;2516)



118-17301
(MO-2514)



B-1403-352-C00



SS-6111040-SP



118-45302
(MO-2504/2514)



SS-9090813-TP



118-45401
(MO-2516)



115-98000
(MO-2504/2514)



SS-111610-SP



SS-6080410-SP



118-16402



118-45500
(MO-2516)



SS-9112310-SP



115-65702



SS-4060310-SP



115-65603



115-71403



118-16204



118-16303

RICAMBI JUKI

classe MO-2400; MO-2500

Upper knife

For MO-2504, 2514
MO-2404, 2414



118-45609

For MO-2516-2416



118-45708

For MO-2504, 2514
MO-2404, 2414



118-45807



118-45906

For MO-2304, 2314



118-47407

For MO-2316



118-47506

Lower Knife all classes



118-46003

Needle Clamps

2504
For MO-2404-OD4
2304



118-69005

2514
For MO-2414-BD4
2314



118-69658

2516
For MO-2416-DD4, DD6
2316



118-70359

2516
For MO-2416-FF6
2316



118-70458

2512
For MO-2412-DF6, DD6
2312



118-69955



SS-9151210-TP



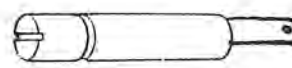
B-1609-804-B00



PS-0300132-KH



118-23309



118-24505



118-32458



118-24653



B-1508-352-000



115-28908



B-1647-704-000-A

SS-9111010-SP
griffa diff.



SS-4080610-SP
griffino



SS-9111050-SP
griffa princ.



SD-0720801-TH



SS-2111710-TP
placca



SS-6090650-SP
piedino



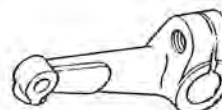
118-31674



118-33308



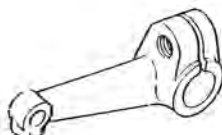
SS-4090615-SP



118-31450
(MO-2504; 2516)



118-33209



118-31559
(MO-2514)



118-33001



118-33506



118-33407



118-90001



118-33100



SS-7090850-SF



118-01859



118-02006



118-46102



SS-9111010-SP

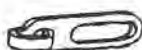
RICAMBI JUKI



B-1111-232-000



B-3109-761-000



B-1126-552-000



B-3115-761-000



B-3118-771-000



B-3114-771-000



B-1552-781-000
per coltelli fino a 3/4"



A2350

mm 3,2 (1/8")
mm 6,5 (1/4")
mm 8 (5/16")
mm 9,5 (3/8")
mm 11 (7/16")
mm 12,7 (1/2")
mm 14,7 (9/16")
mm 16 (5/8")
mm 17,5 (11/16")
mm 19 (3/4")

mm 20 (13/16")
mm 22,2 (7/8")
mm 24 (15/16")
mm 25,4 (1")
mm 27 (1.1/16")
mm 28,6 (1.1/8")
mm 30 (1.3/16")
mm 31,7 (1.1/4")
mm 38 (1.1/2")

classe MO-2400; MO-2500



SS-8110422



115-01301



118-02402



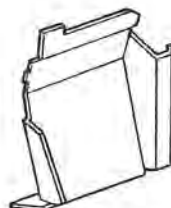
118-02303



SS-4110715-SP



TA-1250406-RO



118-67303 (MO-2516)
118-67207 (MO-2514)
118-67108 (MO-2504)



SS-7090510-SP



118-03400



118-03301



118-03202



118-03103



B1140-716-000



118-00604



115-00808



R0-3473501-00



1-3-11403



SS-6080410-SP



118-16105



118-16501



SS-7090540-SP



118-16600



SS-7090530-SP



118-16857
(MO-2516)



SS-6080410-SP



118-16907
(MO-2516)



118-17103
(MO-2516)



SS-5060310-SP



SS-8110422-TP



118-15503



SS-8090410-SP

RICAMBI JUKI

classe LBH771; 781; 782



B-1810-771-0A0



B-1810-771-0BA



B-1811-771-000



B-1808-771-0A1



B-1504-771-000



B-1503-771-000



B-1502-771-A



B-2001-771-0A0



B-2001-771-000



B-2002-771-0A0



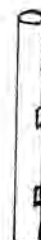
B-2003-771-000



B-2032-771-000



B-2031-771-000



B-1424-761-000

B-1401-761-000



B-2402-771-000



B-2406-771-0A0



B-2408-771-000



B-2404-771-000



B-1451-761-000



B-1405-771-000



B-2405-771-000



B-2424-771-000-A



B-2416-771-000



B-2426-771-000



B-2421-771-000



B-701-761-000



B-2710-771-000



B-2425-771-000



B-2420-771-000



B-2417-771-000



B-2730-761-000



B-2709-771-000



B-2726-761-000



B-2718-761-000



B-2717-761-000



B-2725-761-000



B-2602-771-000



B-2727-761-000



B-3129-771-000



B-3119-771-000



B-2619-232-000



B-3404-771-000



B-3403-761-000



B-3104-771-000



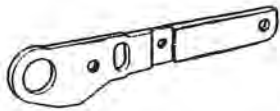
B-3112-761-000



B-3126-012-000

RICAMBI JUKI

STOP-MOTION MECHANISM COMPONENTS



B2619-980-000
Starting lever



B2626-980-0A0
Starting lever
bracket asm.



B2615-280-000
Stop ring



B2613-280-000
Regulating cam
roller



B2614-980-000
Regulating cam
shaft



B2604-980-000
Stop link rod



B2609-980-000
Slow speed cam
slide block



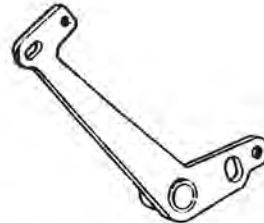
B2622-980-000
Pin



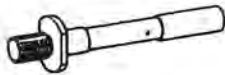
B3030-980-000
Safety plate



B2610-980-000
Starting lever
tension spring



B2617-980-0A0
Regulating lever



B2602-980-000
Stop-motion lever
installing shaft



B2621-280-000
Stopper



B2620-980-000
Stop-motion
connecting lever



B2607-280-000
Washer



B2606-280-000
Pressure spring



B2625-980-000
Stop-motion lever
plate spring



B3535-980-0A0
Grease box asm

B3535-980-0A0-A
Grease box asm

B2630-980-000
Driving pulley
pressing plate
(small)



B2629-980-000
Spring



B2608-280-000
Rubber cushion



B2624-980-000
Driving plate



B2605-980-000
Slow speed cam
hinge screw

Parts for Juki LBH-771,772,773; 780,781,782,783



1. B2001-771-0A0
N. thd. trimmer asm.
2. B2001-771-000
N. thd. trimmer (lower)
3. B2005-761-000
Position pin
4. B2002-771-0A0
N. thd. trimmer (upper)
5. B2003-771-000
N. thd. presser spring
6. SD-0400191-TP
Ring screw



B2402-771-000
Needle plate



B2406-771-0A0
Bobbin thd. trim. blade



B2408-771-000
Counter Knife



B2405-771-000
Bobbin thd. puller



B2417-771-000
Bobbin thd. guide



B-1511-771-0A0
Work clamp check
holder asm.

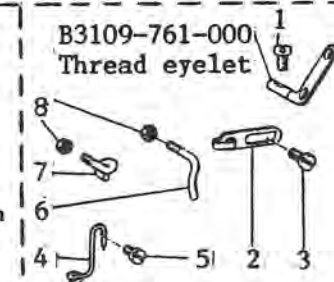


B1552-781-000
Work clamp check



B7160-781-0A0
Shifter drv. pin

B3109-761-000
Thread eyelet



1. BS-710710-SP
Screw
2. B1126-552-000
Frame thd. guide
3. SS-7090710-SP
Screw
4. B3115-761-000
Needle bar thd. guide
5. SS-10840-SP
Screw
6. B3118-771-000
Ten. thd. guide
7. B3114-771-000
Take-up thd. guide
8. BS-6790310-SP
Nut

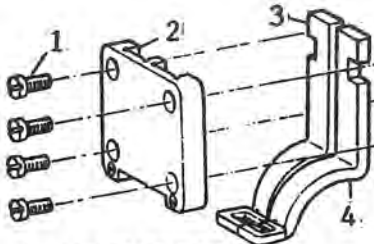
RICAMBI JUKI



B2543-280-000
Foot hook, Left



B2542-280-000
Foot hook, Right



1. SS-7120910-SP Screw
2. B2547-980-000 Face plate
3. B2551-280-000 Foot, Right
4. B2552-280-000 Foot, Left



B2539-280-000
Stud

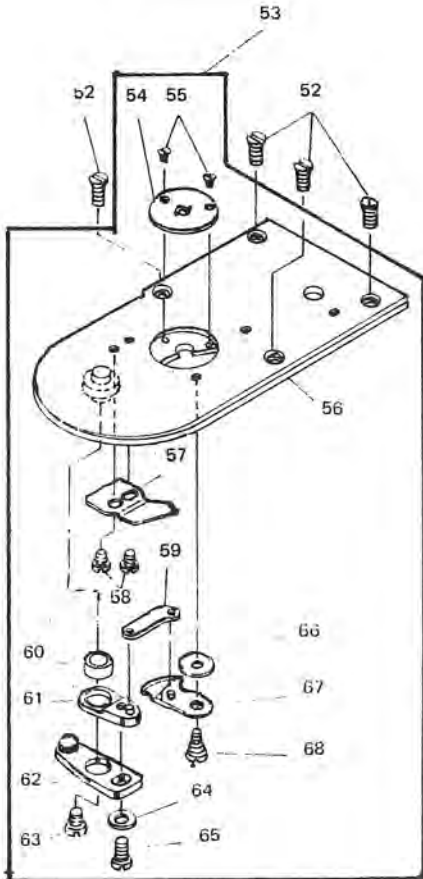


B3028-280-000
Reverse rotation
preventing latch

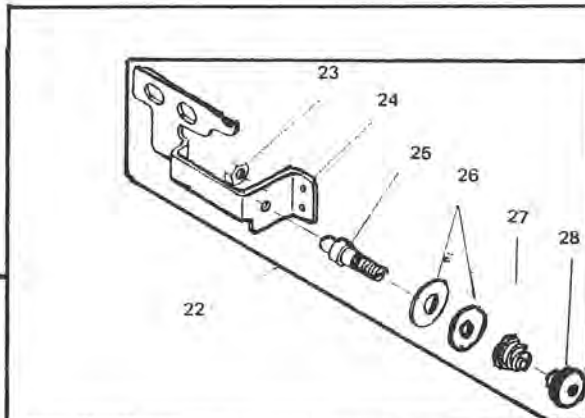


B2555-280-000
Foot lifting shaft

FOR LK-1850

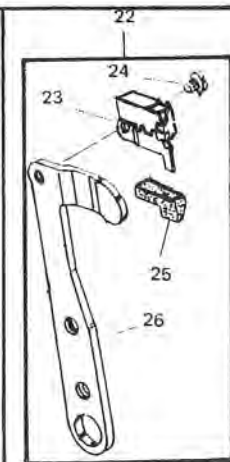
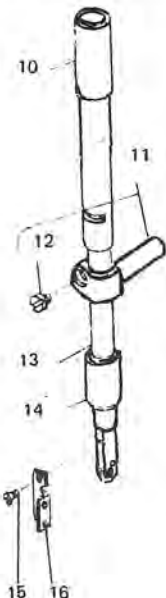


52	SS-1110640-TP	SCREW 11/64-40, L=5.5.
53	135-15556	NEEDLE PLATE ASM.
54	B2426-280-000	NEEDLE PLATE NEEDLE HOLE GUIDE
55	SS-1060210-TP	SCREW 3/32-56 L=2.2
56	135-15564	NEEDLE PLATE ASM.
57	B2424-280-000	COUNTER KNIFE
58	SS-7090410-SP	SCRW 9/64-40 I
59	B2418-280-000	MOVING KNIFE CONNECTING LINK
60	B2416-280-000	COLLAR
61	B2415-280-0A0	MOVING KNIFE DRIVING LEVER ASM.
62	B2414-280-0A0	MOVING KNIFE DRIVING LEVER ASM.
63	SS-6110430-TP	SCREW 11/64-4 L=4.0
64	WP-0480856-SP	WASHER 4.8x8.4x0.8
	WP-0450846-SP	WASHER
65	SS-7110740-TP	SCREW 11/64-40 L=7
66	B2423-280-00C	WASHER
67	B2421-280-0A0	MOVING KNIFE ASM.
68	SD-0500091-TP	HINGE SCREW D=5.0 H=0.9



22	135-26850	THREAD GUIDE BRACKET ASM.
23	NS-6110310-SP	NUT 11/64-40
24	135-26801	THREAD GUIDE BRACKET
25	B3219-232-000	BOBBIN WINDER TENSION POST
26	B3214-047-000	BOBBIN WINDER TENSION DISC
27	B3218-232-000	BOBBIN WINDER TENSION SPRING
28	B3216-047-000	BOBBIN WINDER TENSION NUT

22	135-28658	GREASE BOX ASM.
23	135-28609	GREASE BOX
24	SS-4110515-SP	SCREW 11/64-40 L=5
25	B3526-980-000	FELT
26	135-20309	PULLEY PRESSING PLATE



10	B1402-280-000	NEEDLE BAR BUSHING, UPPER
11	B1411-552-0A0	NEEDLE BAR CONNECTION ASM.
12	SS-6090670-TP	SCREW 9/64-40 L=6
13	B1401-280-000	NEEDLE BAR
14	B1403-280-000	NEEDLE BAR BUSHING, LOWER
15	SS-2060510-SP	SCREW 3/32-56 L=4.5
16	B1406-280-000	NEEDLE BAR THREAD GUIDE



135-08809
Cylinder Arm Cap
Spring A

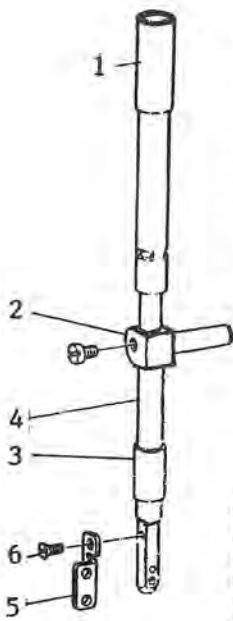


135-08908
Cylinder Arm Cap
Spring B

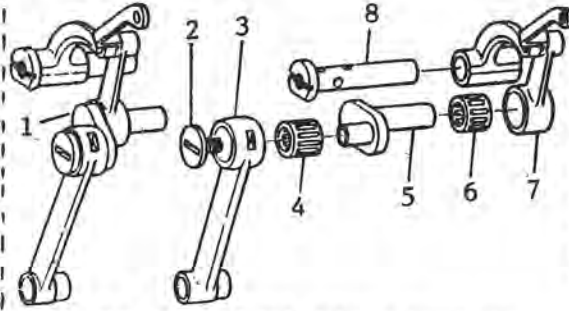
RICAMBI JUKI

Parts for Juki LK-280,980,1850

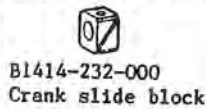
NEEDLE BAR COMPONENTS



1. B1402-280-000 Needle bar bushing, upper
2. B1411-552-0AO N. bar connecting asm.
3. B1403-280-000 N. bar bushing, lower
4. B1401-280-000 Needle bar
5. B1405-280-000 N bar thread guide
6. SS-2060510-3P Screw



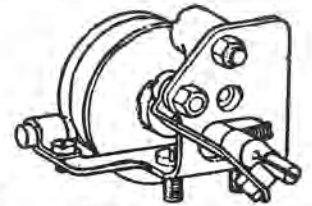
1. B1901-280-0B0 Thd. take-up lever asm.
2. B1903-552-000 End screw left
3. B1404-280-000 N. bar crank rod
4. B1411-804-000 N. drv.lever bearing
5. B1203-280-000 N. bar crank
6. B1905-541-000 Take-up lever bearing
7. B1901-280-0AO Thd. take-up lever asm.
8. B1904-280-000 Pin



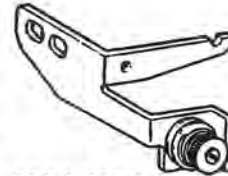
1. B1414-232-000 Crank slide block



1. B3204-280-000 Bobbin winder spindle



1. B3201-280-0AO Bobbin winder asm.



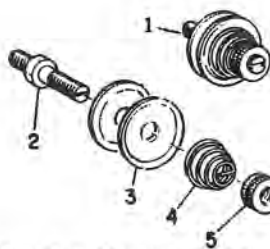
1. B3211-980-0AO Bobbin winder thd. Guide bracket asm.



1. B2426-280-000 Needle plate no.hole guide

1. B2416-280-000 Collar
2. B2424-280-000 Counter knife
3. SS-7090410-SP Screw
4. B2415-280-0AO Moving knife drv. lever
5. B2423-280-00C Washer
6. B2418-280-000 Moving knife conn. link
7. B2421-280-0AO Moving knife
8. SD-0500091-TP Hinge screw
9. B2414-280-0AO Moving knife drv.lever
10. WP-0480856-SP Washer
11. SS-7110740-TP Scrw
12. SS-6110430-TP Screw

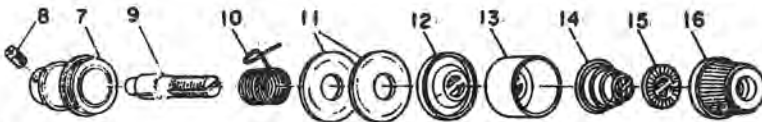
THREAD TENSION RELEASE COMPONENTS



1. B1115-232-0AO Tension comp.
2. B3123-352-000 Tension post
3. B3126-012-000 Tension disc
4. B1115-232-000 Tension spring
5. A3125-002-000 Tension nut



6. B2302-280-0AO Tension comp. No. 2
7. B2313-280-000 Tension post socket
8. SS-8090610-SP Screw
9. B2302-280-000 Tension post
10. B3112-761-000 Thread take-up spring
11. B3126-012-000 Tension disc
12. B3132-552-000 Tension disc holder
13. B3107-804-000 Ten. disc presser tube
14. B3114-232-000 Tension spring
15. B3125-125-000 Tension disc stopper
16. B3119-771-000 Tension nut
17. B2303-280-000 Tension release pin



1. B2310-280-00C Spring



1. B2102-280-000 Wiper installing plate
2. SS-7110840-SP Screw



1. B2101-280-0AO Wiper asm.

SHUTTLE DRIVER SHAFT COMPONENTS



1. B2406-980-000 Knife driving connecting ring



1. B2401-980-0AO Knife driving rod tripping asm.



1. B2404-280-000 Cam roller



1. B1804-280-0AO Thrust collar



1. CS-0791010-SH Thrust collar



1. B1815-980-000 Shuttle race spring



1. B1826-280-000 Spring



1. B1828-980-0AO Bobbin case



1. B1827-280-000 Bobbin

1. B1823-280-000 Shuttle race spring



1. B1812-980-0AO Shuttle drv. asm.



1. B1817-280-0AO Shuttle race ring asm.



1. B1818-280-000 Shuttle

WORK CLAMP FOOT COMPONENTS



1. B1513-280-000 Tension spring



1. B1508-280-000 Work clamp foot lowering fork



1. B1510-280-000 Slide block



1. B2548-280-000 Ball retainer



1. B2546-280-000 Presser spring suspension

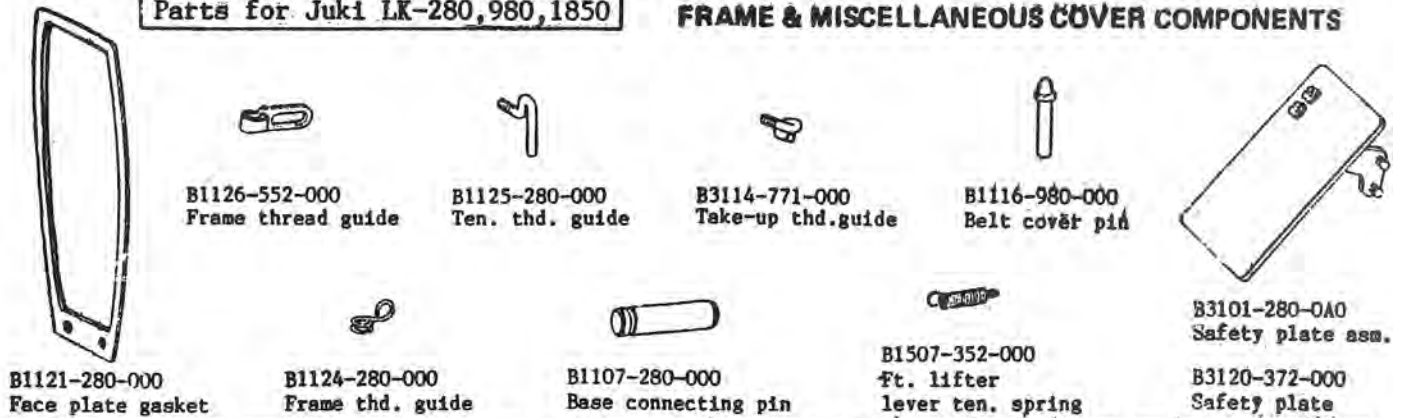


1. B2545-280-000 Pressure spring

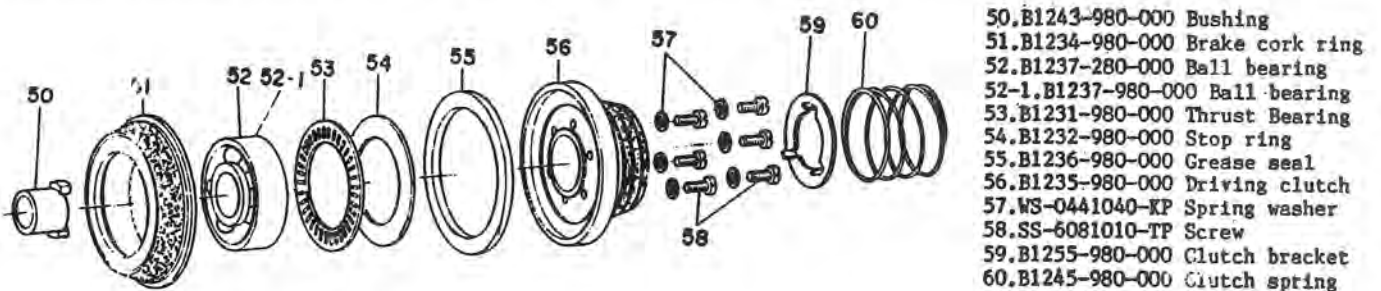
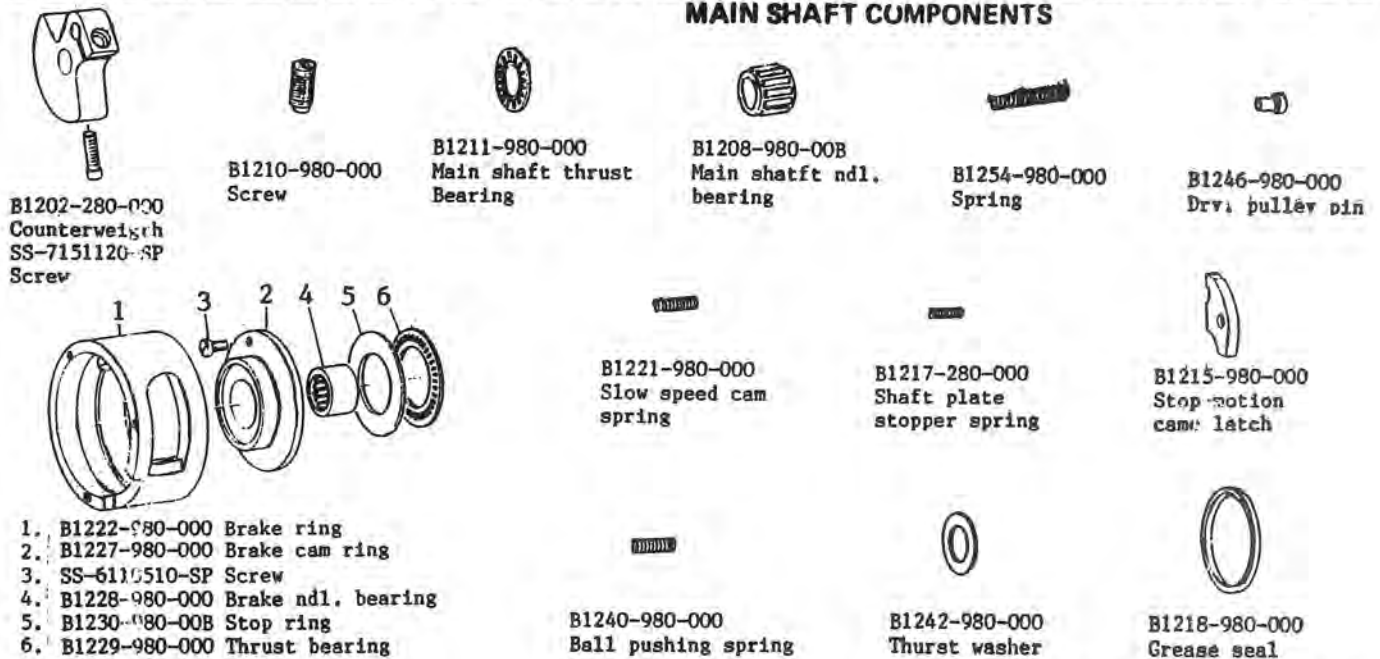
RICAMBI JUKI

Parts for Juki LK-280,980,1850

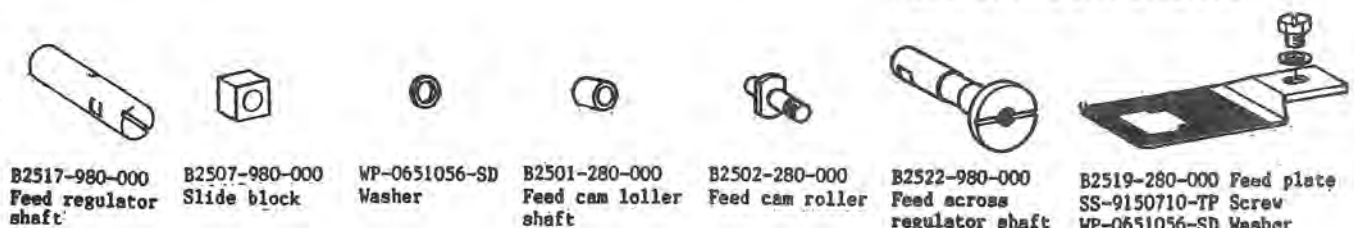
FRAME & MISCELLANEOUS COVER COMPONENTS



MAIN SHAFT COMPONENTS



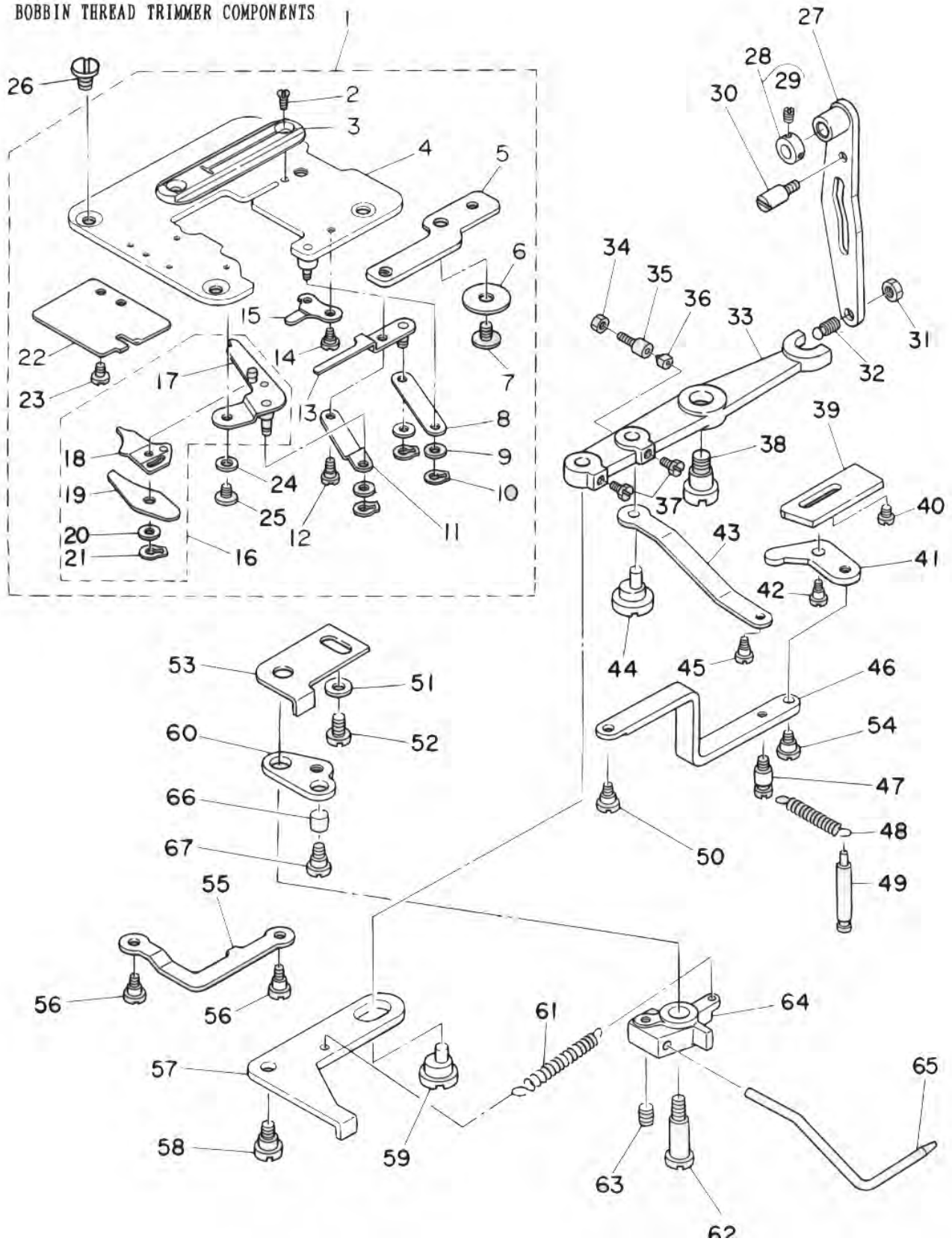
FEED CAM COMPONENTS



RICAMBI JUKI 791

GRUPPO RASAFILO KL 791S

BOBBIN THREAD TRIMMER COMPONENTS

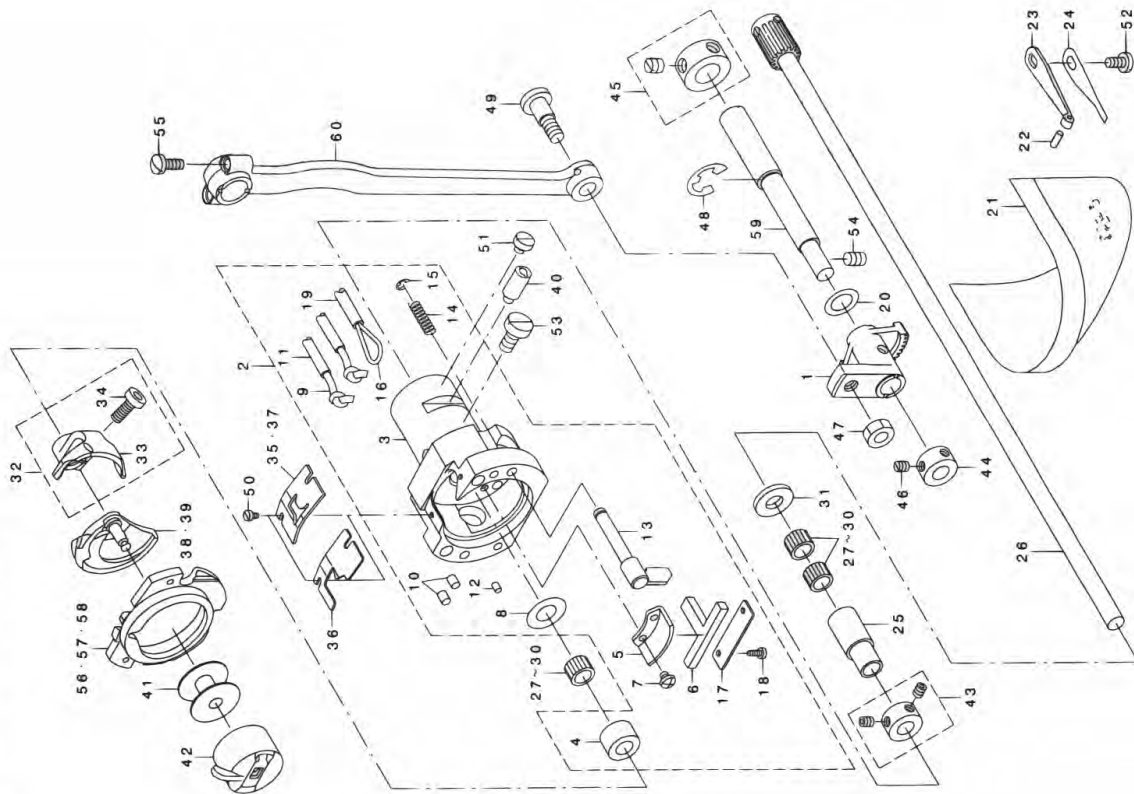


GRUPPO RASAFILO KL 791S

REF. NO.	NOTE	PART NO.	D E S C R I P T I O N	34	NS-6150310-SP	NUT 15/64-28
				35	B1453-771-000	STOPPER
1		137-35162	THROAT PLATE CONNOC.	36	B1432-761-000	SWING ARM STOPPER RUBBER
2		SS-2090510-SP	SCREW 9/64-40 L=5	37	SS-9120910-TP	SCREW 3/16-28 L=9
3		137-39107	THROAT PLATE	38	SD-0791271-SP	HINGE SCREW D= 7.94 H=12.7
4		137-35154	THROAT PLATE ASM.	39	137-37200	ACTUATING CAM
5		137-36202	BOBBIN THREAD TRIMMER LEVER	40	SS-6120940-SP	SCREW 3/16-28 L=9
6		WP-0451016-SP	WASHER 4.5X20X1	41	137-37101	ACTUATING LEVER
7		SS-7110570-SP	SCREW 11/64-40 L= 4.8	42	SD-0550271-TP	HINGE SCREW D= 5.50 H= 2.7
8		137-36509	BOBBIN THREAD PULLER LINK	43	137-37309	BOBBIN THREAD TRIMMER LINK
9		WP-0410846-SC	WASHER	44	137-37408	LINK ROD
10		RC-0370411-KP	RETAINING RING	45	SD-0640321-TP	HINGE SCREW
11		137-35808	LOWER LINK	46	137-36905	ACTUATING LINK
12		SD-0400191-TP	HINGE SCREW D=4 H=1.8	47	137-37002	SUSPENSION SCREW A
13		137-36350	BOBBIN THREAD PULLER ASM.	48	GBR-01606000	RELEASE RETURN SPRING
14		SD-0460182-SP	HINGE SCREW D= 4.6 H= 1.8	49	137-37507	SUSPENSION SCREW B
15		137-36806	ACTUATING PLATE	50	SD-0450401-SP	HINGE SCREW D= 4.5 H= 4
16		137-35469	BOBBIN THREAD TRIMMER CONNOC.	51	WP-0550800-SP	WASHER 5.5X10X0.8
17		137-35451	TRIMMER, LOWER ASM.	52	SS-4120615-SP	SCREW 3/16-28 L=6
18		137-35956	TRIMMER, UPPER ASM.	53	137-38919	BOBBIN PRESSER STOPPER
19		137-36103	SPRING	54	SD-0460182-SP	HINGE SCREW D= 4.6 H= 1.8
20		WP-0410846-SC	WASHER	55	137-38604	LINK
21		RC-0370411-KP	RETAINING RING	56	SD-0640321-SP	HINGE SCREW D= 6.35 H= 3.2
22		137-36608	BOBBIN THREAD CLAMP PLATE	57	137-38117	BOBBIN PRESSER LEVER
23		SS-6080320-SP	SCREW 1/8-44 L= 2.5	58	SD-0720331-SP	HINGE SCREW D= 7.24 H= 3.3
24		B2423-280-00A	WASHER FOR DRIVING KNIFE	59	137-39008	LINK ROD
25		SS-3090410-SP	SCREW	60	137-38414	SUSPENSION SCREW
26		SS-6120620-TP	SCREW	61	137-38711	SPRING
27		137-37655	DRIVING ARM ASM.	62	SD-0791503-SP	HINGE SCREW D=7.94 H=15
28		CS-080081B-SH	THRUST COLLAR ASM. D=8.0 V=8	63	SS-8110520-TP	SCREW 11/64-40 L= 4.5
29		SS-8110520-TP	SCREW 11/64-40 L= 4.5	64	137-38216	BOBBIN PRESSER BASE
30		137-22004	LIFTING LEVER STOPPER A	65	137-38307	BOBBIN PICKER BRACKET
31		NS-6150310-SP	NUT 15/64-28	66	137-51300	KNIFE STOP LEVER STOPPER
32		B2412-047-000	BALL SCREW	67	SD-0640752-TP	HINGE SCREW D= 6.35 H= 7.5
33		137-36715	DRIVING LEVER			

RICAMBI JUKI KL 1900

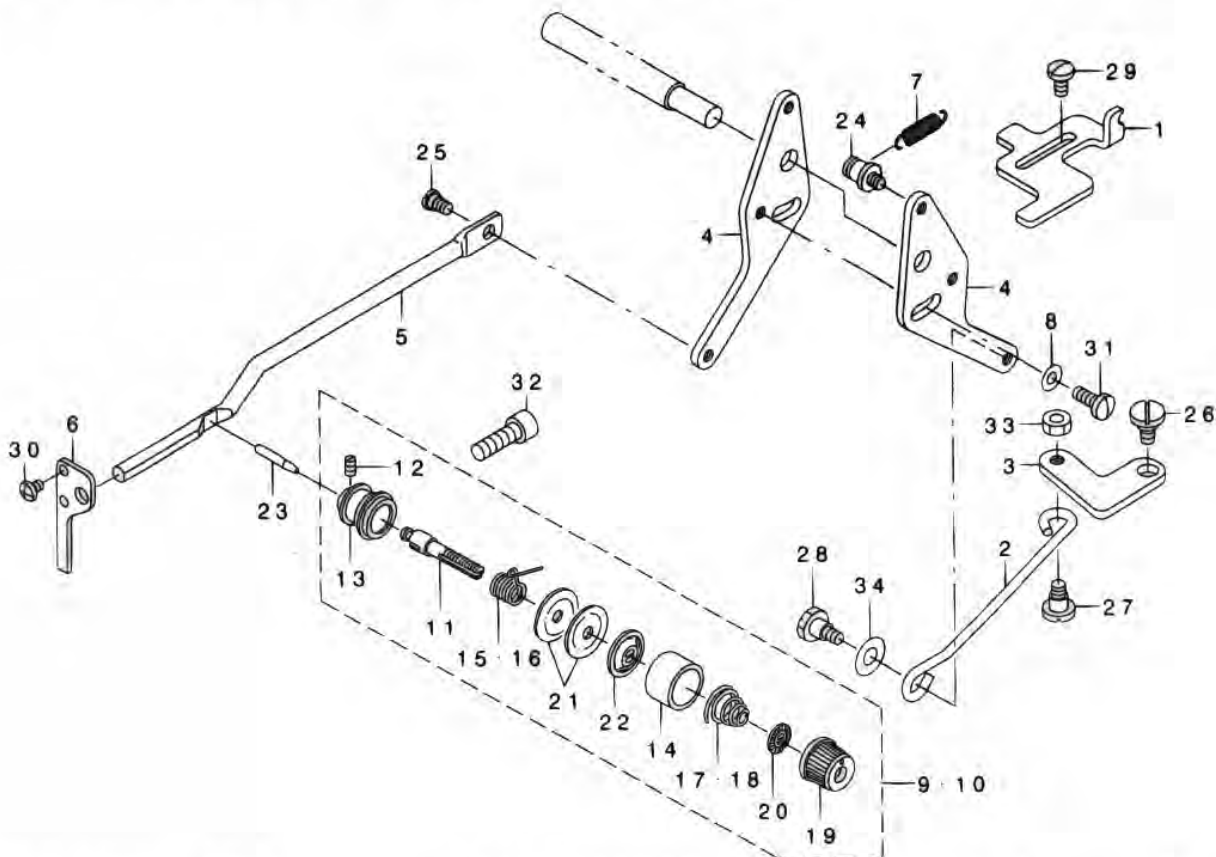
4. SHUTTLE DRIVER SHAFT COMPONENTS



1	141-03402	OSCILLATOR
2	141-03055	SHUTTLE ASM.
3	141-03006	SHUTTLE
4	B1813-980-000	SHUTTLE NEEDLE OUTER RING
5	B3505-280-000	SHUTTLE LUBRICATING PLATE
6	141-03907	SHUTTLE ONCE THROUGH OIL FELT
7	SS-4090415-SP	SCREW 9/64-40 L=4
8	WP-0952616-SD	WASHER 9.5X14.8X2.6
9	CQ-2020000-00	OIL WICK
10	B1820-210-D00	SHUTTLE OIL FELT, A
11	BP-3000000-00	VINYL PIPE
12	B1821-210-D00	SHUTTLE OIL FELT, B
13	B1820-215-PA0-A	INNER HOOK PRESSER ASM.
14	B1822-215-P00	INNER HOOK PRESSER SPRING
15	RE-0300000-K0	E-RING 3
16	CQ-2000000-00	OIL WICK
17	141-04004	ONCE THROUGH OIL FELT PRESSER
18	SS-6060410-TP	SCREW 3/32-56 L= 3.5
19	RT-0500300-EA	OIL TUBE
20	105-23504	WASHER
21	138-16855	CYLINDER ARM CAP
22	135-08700	HOOK COVER PRESSER SPRING PIN
23	135-08809	HOOK COVER PRESSER SPRING A
24	135-08908	HOOK COVER PRESSER SPRING B
25	135-08403	LOWER SHAFT REAR METAL
26	135-09153	LOWER SHAFT GEAR A ASM.
27	03 B1411-804-A00	BEARING (A)
28	03 B1411-804-B00	NEEDLE DRIVING LEVER BEARING B
29	03 B1411-804-C00	NEEDLE DRIVING LEVER BEARING C
30	03 B1411-804-D00	BEARING (D)
31	B1808-980-000	LOWER SHAFT THRUST WASHER
32	B1812-980-0A0	DRIVER ASM.
33	B1812-980-000	SHUTTLE DRIVER
34	SS-6121212-TP	SCREW 3/16-28 L=12.0
35	B1815-980-000	SHUTTLE UPPER SPRING
36	01 141-03501	SHUTTLE UPPER SPRING (F TYPE)
37	01 B1816-980-000	AUXILIARY SHUTTLE RACE SPRING
38	04 B1818-280-000	INNER HOOK
39	05 B1818-282-N00	SHUTTLE
40	B1819-280-000	SHUTTLE RACE ADJUSTING SHAFT
41	138-12102	BOBBIN
42	B1828-980-0BB	BOBBIN CASE ASM. (RACING PREVE)
43	CS-080081C-SH	THRUST COLLAR ASM. D=8.0 W=8
44	CS-1000811-SP	THRUST COLLAR
45	CS-1201010-SH	THRUST COLLAR ASM. D=12 W=10
46	SS-8110520-TP	SCREW 11/64-40 L= 4.5
47	NS-6660430-SP	NUT 1/4-40
48	RE-0900000-K0	E-RING 9
49	SD-0801021-TP	HINGE SCREW D= 8 H=10.2
50	SS-6060410-TP	SCREW 3/32-56 L= 3.5
51	SS-6110480-SP	SCREW 11/64-40 L=4.3
52	SS-7110840-SP	SCREW 11/64-40 L=7.8
53	SS-6151220-SP	SCREW 15/64-28 L=11.5
54	SS-8150822-TP	SCREW 15/64-28 L=8
55	SS-7111110-TP	SCREW 11/64-40 L=10.5
56	141-03659	SHUTTLE RACE RING ASM., C
57	01 141-03253	INNER HOOK PRESSER ASM., A
58	06 141-03352	INNER HOOK PRESSER ASM., B
59	B1836-210-D00	OSCILLATING ECCENTRIC SHAFT
60	B1802-210-D00	CRANK ROD

RICAMBI JUKI KL 1900

6. TENSION RELEASE & THREAD TENSION COMPONENTS

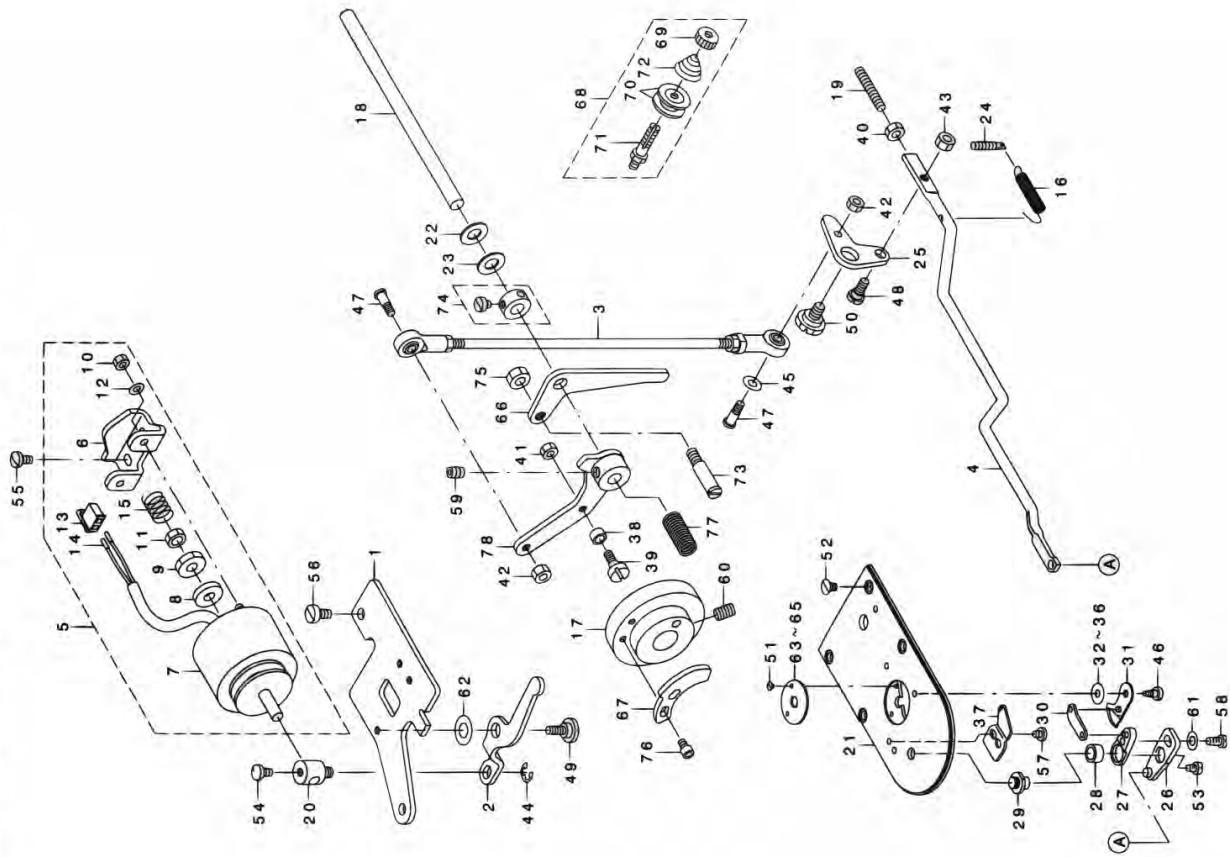


REF. NO	NOTE	PART NO.	DESCRIPTION	品名	Qty
1		141-07502	STOPPER	ストップ	1
2		141-07700	CONNECTING BAR	接続棒	1
3		B2304-210-D00	TENSION RELEASE LINK	テンションリリースリンク	1
4		B2306-210-D00	TENSION RELEASE ADJUSTING ARM	テンションリリース調整アーム	2
5		135-13205	TENSION RELEASE BAR	テンションリリースバー	1
6		135-13304	THREAD TENSION ARM	スレッドテンションアーム	1
7		B2545-280-000	PRESSURE SPRING	スプリング	1
8		WP-0482086-SD	WASHER 4.8X11.5X2	ワッシャー 4.8X11.5X2	1
9	01	B2302-280-0A0	SECOND THREAD TENSION ASM.	2番目スレッドテンションアセンブリ	1
10	02	B2302-205-0A0	TENSION CONTROLLER NO.2 ASM.	テンションコントローラ No.2 アセンブリ	1
11		B2302-280-000	SECOND THREAD TENSION ROD	2番目スレッドテンションロッド	(1)
12		SS-8090610-SP	SCREW 9/64-40 L=5.9	ネジ 9/64-40 L=5.9	(1)
13		B2313-280-000	THREAD TENSION ROD, LARGE	スレッドテンションロッド (大)	(1)
14		B3107-804-000	THREAD TENSION DISK PRESSER	スレッドテンションディスクプレス	(1)
15		B3112-761-000	THREAD TAKE-UP SPRING	スレッド取り上げスプリング	(1)
16		B3112-L4B-000	TAKE-UP SPRING (HEAVY)	取り上げスプリング (重)	(1)
17		B3114-232-000	THREAD TENSION SPRING	スレッドテンションスプリング	(1)
18		B3129-053-000	TENSION SPRING	テンションスプリング	(1)
19		B3119-771-000	THREAD TENSION NUT	スレッドテンションナット	(1)
20		B3120-125-000	ROTATING STOPPER	回転ストップ	(1)
21		B3126-012-000	THREAD TENSION DISK	スレッドテンションディスク	(2)
22		B3132-552-000	THREAD TENSION DISK PRESSER	スレッドテンションディスクプレス	(1)
23		B2303-280-000	TENSION RELEASE PIN	テンションリリースピン	1
24		B3413-552-000	SUSPENSION SCREW	懸架ネジ	1
25		SD-0530221-SP	HINGE SCREW D=6.3 H=2.2	ヒンジネジ D=6.3 H=2.2	1
26		SD-0720321-TP	HINGE SCREW	ヒンジネジ	1
27		SD-0640391-TP	HINGE SCREW D=6.35 H=3.9	ヒンジネジ D=6.35 H=3.9	1
28		SD-0640482-SP	HINGE SCREW D=6.35 H=4.8	ヒンジネジ D=6.35 H=4.8	1
29		SS-6110810-TP	SCREW 11/64-40 L=8	ネジ 11/64-40 L=8	2
30		SS-4090515-SP	SCREW 9/64-40 L=5	ネジ 9/64-40 L=5	2
31		SS-7111120-TP	SCREW	ネジ	1
32		SS-6151812-TP	SCREW 15/64-28 L=18	ネジ 15/64-28 L=18	1
33		WS-6120310-SP	NUT 3/16-28	ナット 3/16-28	1
34		WP-0651056-SD	WASHER 6.5X11X1	ワッシャー 6.5X11X1	1

NOTE (注記) 01... FOR LK-1900SS, FS, MS, SA, FA, MA
02... FOR LK-1900HS, HA

LK-1900SS, FS, MS, SA, FA, MA 用
LK-1900HS, HA 用

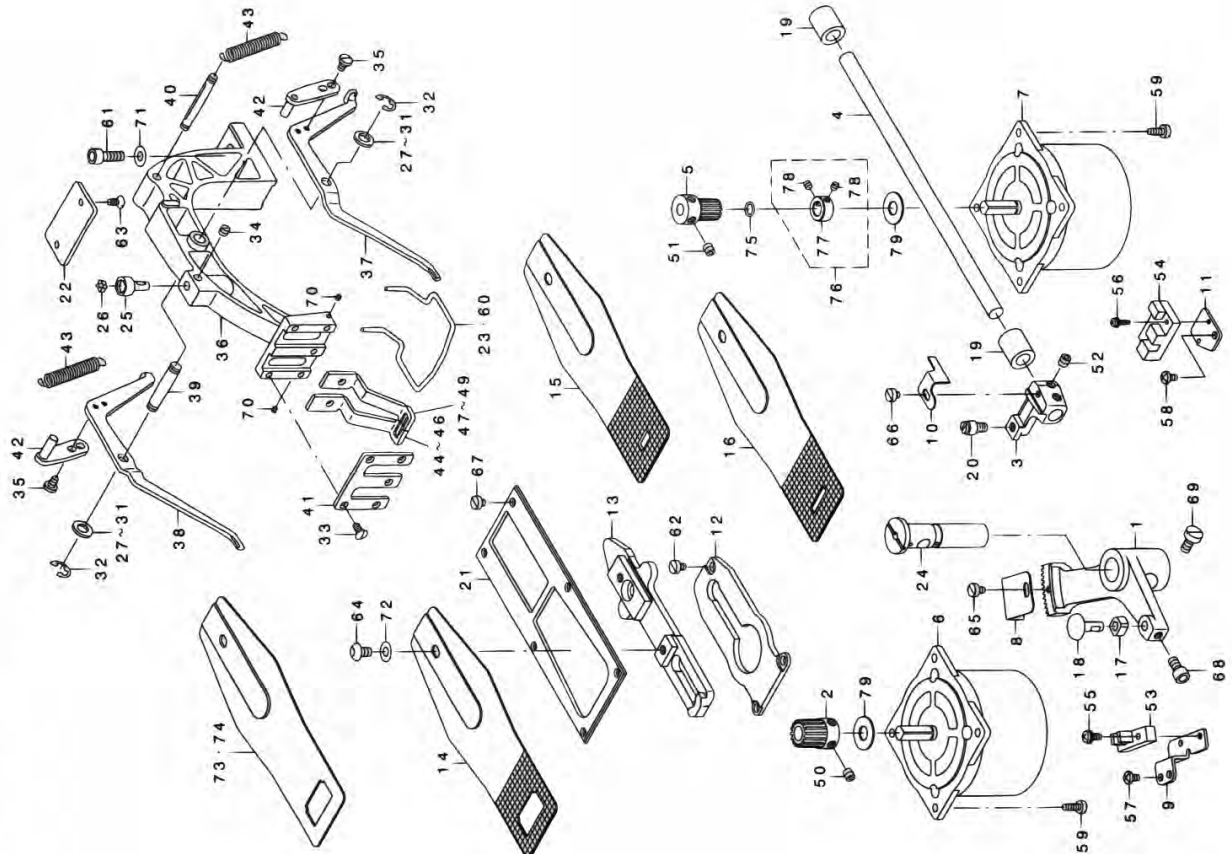
7. TENSION RELEASE & THREAD TRIMMER MECHANISM COMPONENTS



1	141-08401	CAM FOLLOWER STOPPER
2	141-08500	SOLENOID ARM
3	141-08600	CONNECTING ROD
4	141-08708	CONNECTING BAR
5	141-08858	THREAD TRIMMING SOLENOID ASM.
6	141-08807	SOLENOID FOR THREAD TRIMMING
7	141-08906	SOLENOID RUBBER
8	110-43304	NUT M4
9	NS-6660410-SH	WASHER 4.5X8X0.5
10	NM-6040000-SN	2-POLE NYLON PLUG
11	NS-6660430-SP	PIN CONTACT
12	WP-0450000-SD	SPRING
13	HK-0346100-20	THREAD TRIM LINK SPRING
14	HK-0346400-00	THREAD TRIMMER CAM
15	B1652-704-000	THREAD TRIMMER SHAFT
16	141-08300	SCREW M5 L=30
17	B2401-210-000	SOLENOID PIN
18	B2408-210-000	NEEDLE PLATE
19	SM-6053002-TP	NEEDLE ROD CRANK WASHER
20	110-43007	CLOTH PLATE WASHER
21	135-15507	TENSION SPRING ADJUSTING SCREW
22	B1223-771-000	THREAD TRIMMER LINK
23	B1116-804-000	THREAD CUTTER LEVER ASM., LARG
24	B1649-161-000	THREAD CUTTING LEVER ASM., SMALL
25	B2411-210-000	THREAD CUTTER LEVER SHAFT
26	B2414-280-0A0	MOVING KNIFE LINK
27	B2415-280-0A0	MOVING KNIFE WASHER A
28	B2416-280-000	MOVING KNIFE WASHER B
29	B2417-280-000	MOVING KNIFE WASHER C
30	B2418-280-000	MOVING KNIFE WASHER D
31	B2431-280-0A0	MOVING KNIFE WASHER E
32	B2423-280-00A	FIXING KNIFE
33	01	ROLLER
34	01	ROLLER SHAFT
35	01	NUT M5
36	01	NUT 11/64-40
37	01	NUT 11/64-40
38	B1649-161-000	E-RING
39	D2588-LRW-800	WASHER 5X10.5X1
40	NM-6050001-SP	HINGE SCREW D=5.0 H=0.9
41	MS-6110420-SP	HINGE SCREW D=6.5 H=3
42	MS-6120310-SP	HINGE SCREW D=7.94 H=3.1
43	MS-6120310-SP	HINGE SCREW H=11 W=3
44	RE-0500000-K0	SCREW 3/16-28 L=9.2
45	WP-0501016-5D	SCREW 11/64-40 L=5.5
46	SD-0500031-TP	SCREW 11/64-40 L=7.0
47	SD-0500030-TP	SCREW 11/64-40 L=7.8
48	SD-0700311-TP	SCREW 9/64-40 L=3.5
49	SD-1100301-TP	SCREW 11/64-40 L=7
50	SS-1060210-TP	SCREW 15/64-28 L=8
51	SS-1106440-TP	WASHER
52	SS-6110430-TP	NEEDLE HOLE GUIDE
53	SS-710740-TP	NEEDLE HOLE GUIDE
54	SS-710840-TP	NEEDLE HOLE GUIDE
55	SS-710940-TP	THREAD RELEASE ARM
56	SS-6120930-SP	TENSION RELEASE NOTCH
57	SS-7090410-SP	FIRST THREAD TENSION ASM.
58	SS-7110740-TP	FIRST THREAD TENSION SPRING
59	SS-8150822-TP	TENSION RELEASE ARM PIN
60	SS-8661012-TP	THRUST COLLAR ASM., D=8.0 W=8
61	WP-0450846-SP	SCREW M4 L=6
62	WP-0553216-SD	TRIPPING LEVER TENSION SPRING
63	B2426-280-000	CAM FOLLOWER ASM.
64	141-08607	
65	B2426-282-C00	
66	141-07601	
67	B2312-210-000	
68	B1115-232-0A0	
69	A3125-002-000	
70	B3126-012-000	
71	B3123-352-000	
72	B1115-232-000	
73	141-07809	
74	CS-0800818-SH	
75	MS-6150310-SP	
76	SM-6040602-TP	
77	B2617-771-000	
78	141-09250	

1	141-10001	CROSSFEED ARM
2	141-10308	CROSSFEED GEAR
3	141-10100	LENGTHWISE FEED ARM
4	141-10209	LENGTHWISE FEED SHAFT
5	141-10407	LENGTHWISE FEED GEAR
6	141-12304	X FEED STEPPING MOTOR
7	141-12403	Y FEED STEPPING MOTOR
8	141-11504	CROSSFEED SENSOR SLIT
9	141-11702	SENSOR INSTALLING BASE
10	141-36402	LENGTHWISE FEED SENSOR SLIT
11	141-11801	SENSOR INSTALLING BASE
12	141-10704	CLOTH FEED SUPPORT PLATE
13	141-10811	CLOTH FEED PLATE
14	01 141-16107	FEED PLATE A
15	02 141-16206	FEED PLATE B
16	03 135-64803	FEED PLATE
17	81414-232-000	SQUARE BLOCK
18	135-17206	SLIDE BLOCK STUD
19	82509-704-000	BUSHING, REAR
20	135-17404	HINGE STUD
21	135-62400	CLOTH FEED PRESSER PLATE
22	135-18907	SUPPORT PLATE
23	135-33104	FINGER GUARDE
24	135-16208	FEED DRIVING ARM SHAFT
25	82548-280-000	BALL RETAINER
26	82540-280-000	WORK CLAMP FOOT MOUNTING BASE
27	82557-280-00A	WASHER FOR DRIVING ARM
28	04 82557-280-00B	WASHER
29	04 82557-280-00C	WASHER
30	04 82557-280-00D	WASHER D
31	04 82557-280-00E	WASHER E
32	9E-0700000-K0	E-RING 7
33	SS-2110930-SP	SCREW 11/64-40 L=8.7
34	SS-8160510-TP	SCREW 15/64-28 L=4.7
35	SS-7110740-TP	SCREW 11/64-40 L=7
36	135-17800	FEED BRACKET
37	135-17909	LIFTING LEVER, RIGHT
38	135-18006	LIFTING LEVER, LEFT
39	135-18105	LIFTING LEVER SHAFT
40	135-18501	SPRING SUSPENSION
41	135-18808	WORK CLAMP FOOT FACE PLATE
42	135-18352	LEVER DRIVING PLATE ASM
43	141-05407	CLOTH PRESSER SPRING
44	135-18600	WORK CLAMP FOOT, RIGHT
45	02 135-42015	WORK CLAMP FOOT, RIGHT
46	03 135-48102	WORK CLAMP FOOT, RIGHT
47	06 135-18709	WORK CLAMP FOOT, LEFT
48	02 135-43012	WORK CLAMP FOOT, LEFT
49	03 135-48201	WORK CLAMP FOOT, LEFT
50	SM-80600612-TP	SCREW M6 L=6
51	SM-80600612-TP	SCREW M6 L=6
52	SS-8660612-TP	SCREW 1/4-40 L=6
53	HD-0019300-00	PHOTO SENSOR
54	HD-0005700-0A	PHOTO SENSOR
55	SL-4041291-SC	SCREW M4 L=12
56	SC-4031291-SC	SCREW M3X12
57	SS-4110715-SP	SCREW 11/64-40 L=7
58	SS-4110715-SP	SCREW 11/64-40 L=7
59	SS-6111140-SP	SCREW 11/64-40 L=11
60	135-48300	FINGER GUARD
61	SM-6061802-TP	SCREW M6 L=19
62	SS-6110610-TP	SCREW 11/64-40 L=6
63	SS-2110920-TP	SCREW 11/64-40 L=6.5
64	SM-3061052-TP	SCREW M6 L=10
65	SS-6110610-TP	SCREW 11/64-40 L=6
66	SS-8110480-SP	SCREW 11/64-40 L=4.3
67	SS-6110420-TP	SCREW 11/64-40 L=4.8
68	SS-611142-TP	SCREW 15/64-28 L=10.5
69	SS-8151220-SP	SCREW 15/64-28 L=11.5
70	SS-8080310-TP	SCREW 1/8-44 L=2.8
71	WF-0621016-SD	WASHER 6.2X13X1
72	WF-0650876-SD	FEED PLATE D
73	141-16404	FEED PLATE E
74	141-16800	FEED PLATE H
75	R0-0691801-00	RUBBER RING
76	CS-095081A-SH	THRUST COLLAR ASM, D=9, 53 W=8
77	CS-0950817-SH	THRUST COLLAR D=9 53 W=8
78	SS-8110410-TP	SCREW 11/64-40 L=3.5
79	141-12502	RUBBER WASHER

8. FEED MECHANISM COMPONENTS



RICAMBI JUKI KL 1900 - 1850 - AMS 210/215/280

AMS - 215C



FTJ215C-22 mm 2,2
 FTJ215C-25 mm 2,5
 FTJ215C-38 mm 3,8

AMS - 210C

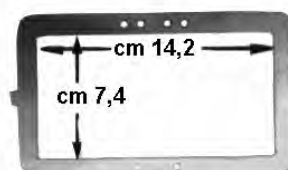


FTJ210C-20 mm 2,0
 FTJ210C-22 mm 2,2
 FTJ210C-30 mm 3,0
 FTJ210C-32 mm 3,2
 FTJ210C-36 mm 3,6

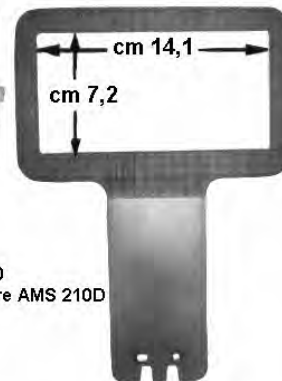
AMS - 210D



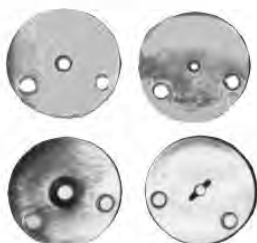
FTJ210D-18 mm 1,8
 FTJ210D-20 mm 2,0
 FTJ210D-22 mm 2,2



B2553-210-D00
 telaio per AMS 210D



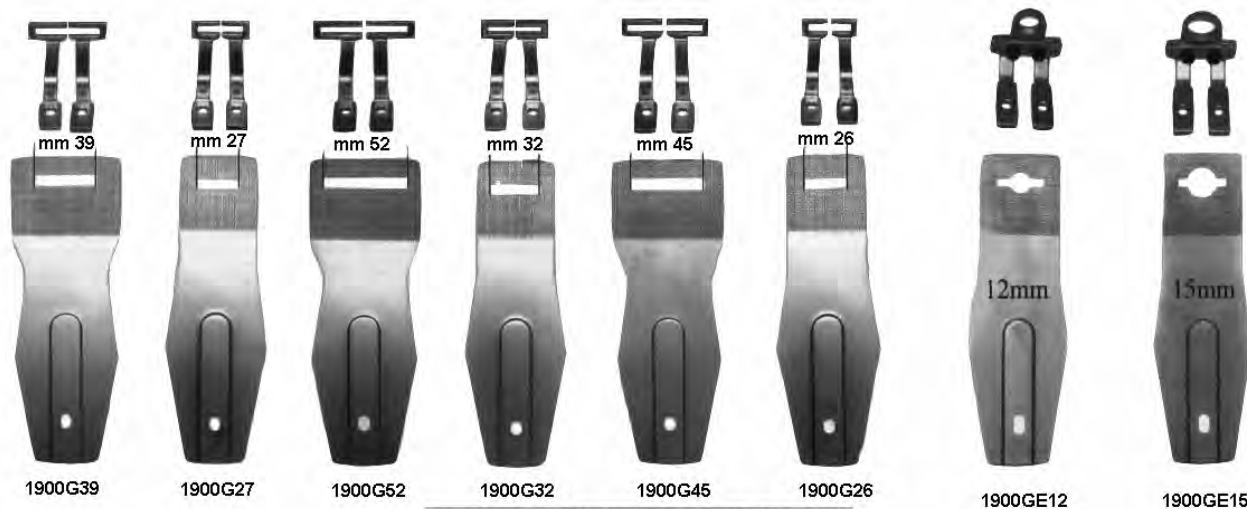
B2552-210-D00
 pisatra inferiore AMS 210D



placchette

B2426-210-00A /B/C/E/F/G/H
 B2426-210-000
 B2426-280-000
 B2426-280-00B/C
 D2426-282-C00

kit piedini e staffa JUKI KL 1900



1900G39

1900G27

1900G52

1900G32

1900G45

1900G26

1900GE12

1900GE15

Parts for Juki LK-1850



FPJ1850-6x25



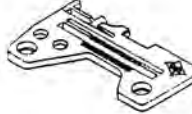










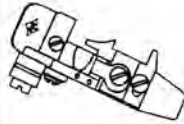
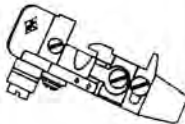
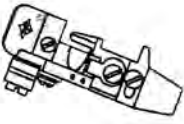

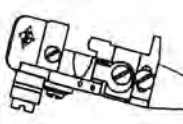



FPJ1850-10x25

Numerosi altri ricambi JUKI originali e non originali sono fornibili su richiesta

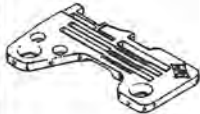
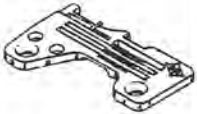




















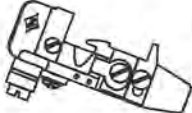
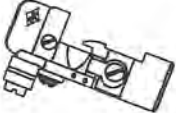


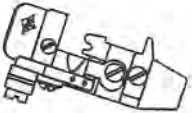





**TABELLA COMPARATIVA
POLLICI - MILLIMETRI**

1/64"	0.40 mm	25/64"	9.91 mm	29/32"	23.02 mm
1/32"	0.79 mm	13/32"	10.32 mm	15/16"	23.81 mm
3/64"	1.19 mm	27/64"	10.72 mm	31/32"	24.61 mm
1/16"	1.59 mm	7/16"	11.11 mm	63/64"	25.00 mm
5/64"	1.98 mm	29/64"	11.51 mm	1"	25.40 mm
3/32"	2.38 mm	15/32"	11.91 mm	1 1/8"	28.58 mm
7/64"	2.78 mm	31/64"	12.30 mm	1 1/4"	31.75 mm
1/8"	3.18 mm	1/2"	12.70 mm	1 3/8"	34.10 mm
9/64"	3.57 mm	33/64"	13.10 mm	1 1/2"	38.10 mm
5/32"	3.97 mm	17/32"	13.49 mm	1 3/4"	44.45 mm
11/64"	4.37 mm	35/64"	13.89 mm	2"	50.80 mm
3/16"	4.76 mm	9/16"	14.29 mm	2 1/4"	57.15 mm
13/64"	5.16 mm	37/64"	14.68 mm	2 1/2"	63.50 mm
7/32"	5.56 mm	19/32"	15.08 mm	2 3/4"	69.85 mm
15/64"	5.95 mm	39/64"	15.48 mm	3"	76.20 mm
1/4"	6.35 mm	5/8"	15.88 mm	3 1/4"	82.55 mm
17/64"	6.75 mm	21/32"	16.67 mm	3 1/2"	88.90 mm
9/32"	7.14 mm	11/16"	17.46 mm	3 3/4"	95.25 mm
19/64"	7.54 mm	23/32"	18.26 mm	4"	101.60 mm
5/16"	7.94 mm	3/4"	19.05 mm	4 1/4"	107.95 mm
21/64"	8.33 mm	25/32"	19.84 mm	4 1/2"	114.30 mm
11/32"	8.73 mm	13/16"	20.64 mm	4 3/4"	120.65 mm
23/64"	9.13 mm	27/32"	21.43 mm	5"	127.00 mm
3/8"	9.53 mm	7/8"	22.23 mm	6"	152.40 mm

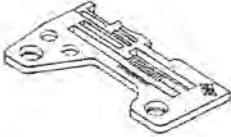
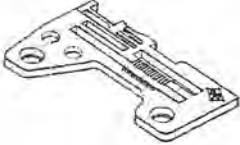
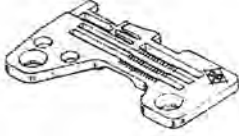

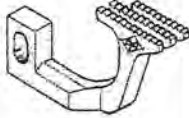



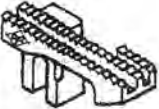




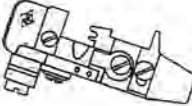





RICAMBI YUKI

GAUGE SET	MO-2504-					
	0A4-150 0A4-150-FG (1.6mm)	0D4 0D4-FG (3.2mm)	0D4-200 0D4-200-FG (3.2mm)	0D4-300 0D4-300-FG (3.2mm)	0E4-300 0E4-300-FG (4.0mm)	0F4-300 0F4-300-FG (4.8mm)
Throat Plate	 R4200-HOA-COO	 R4200-HOD-DAO	 R4200-HOD-DOO		 R4200-HOE-DOO	 R4200-HOF-DOO
Diff Feed Dog	 B1657-804-OOT			 B1657-804-OOT		
Main Feed Dog	 118-82107			 118-82107		
Chain Feed Dog	 118-87007			 118-87106		
Needle Clamp asm.	 118-69005			 118-69005		
Presser foot asm.	 118-76059	 118-76158	 118-81455	 118-76158	 118-76257	
Presser foot asm. (Finger Guard)	 118-76067			 118-76166	 118-76265	


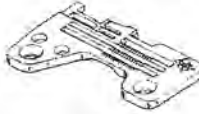

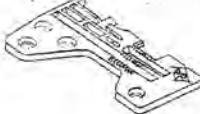



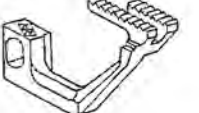


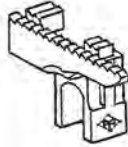

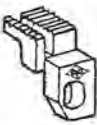





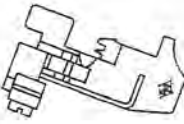
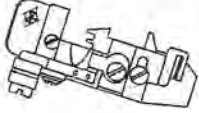
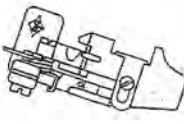
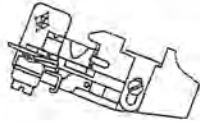

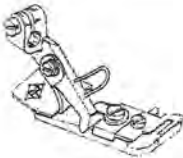
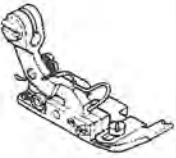

RICAMBI JUKI

GAUGE SET	MO-2504-			MO-2505-	MO-2512-	
	0D6-300 0D6-300-FG (3.2mm)	0D6-320 0D6-320-FG (3.2mm)	0F6-500 0F6-500-FG (4.8mm)	0D4-210 0D4-210-FG (3.2mm)	DD6-500 DD6-500-FG (3.2X3.2mm)	DF6-500 DF6-500-FG (3.2X4.8mm)
Throat Plate	 R4300-HOD-EOO	 R4300-HOD-DOA	 R4300-HOF-EOO	 R4200-HOD-DOO	 R4308-HOD-EOO	 R4308-HOF-EOO
Diff Feed Dog	 118-85100	 B1657-814-BOL	 118-85100	 B1657-804-OOT	 117-90706	
Main Feed Dog	 118-82206	 118-83402	 118-82206	 118-82107	 118-82503	
Chain Feed Dog	 118-87106		 118-87106		 118-87205	
Needle Clamp asm.	 118-69005		 118-69005		 118-69955	
Presser foot asm.	 118-76356	 118-78857	 118-76455	 118-78550	 118-77156	
Presser foot asm. (Finger Guard)	 118-76364	 118-78865	 118-76463	 118-78568	 118-77164	

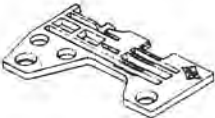
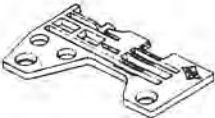

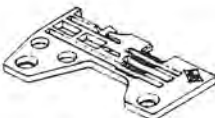
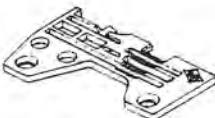
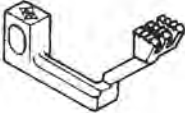
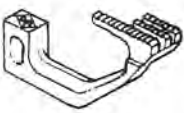
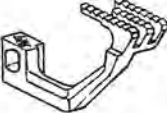
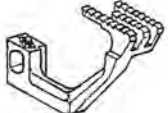
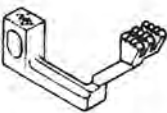
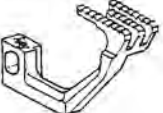













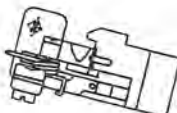
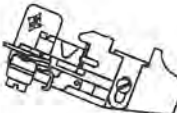
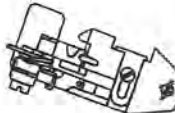
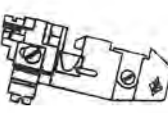

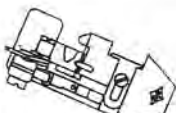



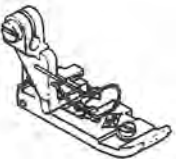


RICAMBI JUKI

GAUGE SET	MO-2514-					
	BD4 BD4-FG (2.0X3.2mm)	BD4-200 BD4-200-FG (2.0X3.2mm)	BD4-300 BD4-300-FG (2.0X3.2mm)	BE4-300 BE4-300-FG (2.0X4.0mm)	BD6-300 BD6-300-FG (2.0X3.2mm)	BD6-320 BD6-320-FG (2.0X3.2mm)
Throat Plate	 R4205-HOD-EAO R4205-HOD-EOO		 R4205-HOD-EOO R4205-HOE-EOO		 R4305-HOD-EOO R4305-HOD-EOA	
Diff Feed Dog	 B1657-814-BOE				 118-86504	 B1657-814-BOL
Main Feed Dog	 115-97101				 118-82404	 118-83402
Chain Feed Dog	 118-87106					
Needle Clamp asm.	 118-69658					
Presser foot asm.	 118-76851	 118-81554	 118-76851		 118-79350	
Presser foot asm. (Finger Guard)	 118-76869	 118-81570	 118-76869		 118-79368	











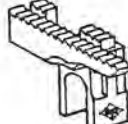















RICAMBI JUKI

GAUGE SET	MO-2514-			MO-2516-		
	BD6-3B0 BD6-3B0-FG (2.0X3.2mm)	BD6-340 BD6-340-FG (2.0X3.2mm)	BD6-347 BD6-347-FG (2.0X3.2mm)	BD4-300 BD4-300-FG (2.0X3.2mm)	DD4-300 DD4-300-FG (3.2X3.2mm)	DF4-300 DF4-300-FG (3.2X4.8mm)
Throat Plate	 R4305-HOD-EOA	 R4305-HOD-EOO		 R4505-HOD-DOO	 R4508-HOD-DOO	 R4508-HOF-DOO
Diff Feed Dog	 B1657-814-BOL	 118-86504			 118-85209	
Main Feed Dog	 118-83402	 118-82404		 118-82602		 118-82800
Chain Feed Dog		 118-87106		 118-87304		 118-87403
Needle Clamp asm.		 118-69658		 118-70151		 118-70359
Presser foot asm.	 118-79053	 118-79251		 118-77354		 118-77552
Presser foot asm. (Finger Guard)	 118-79061	 118-79269		 118-77362		 118-77578

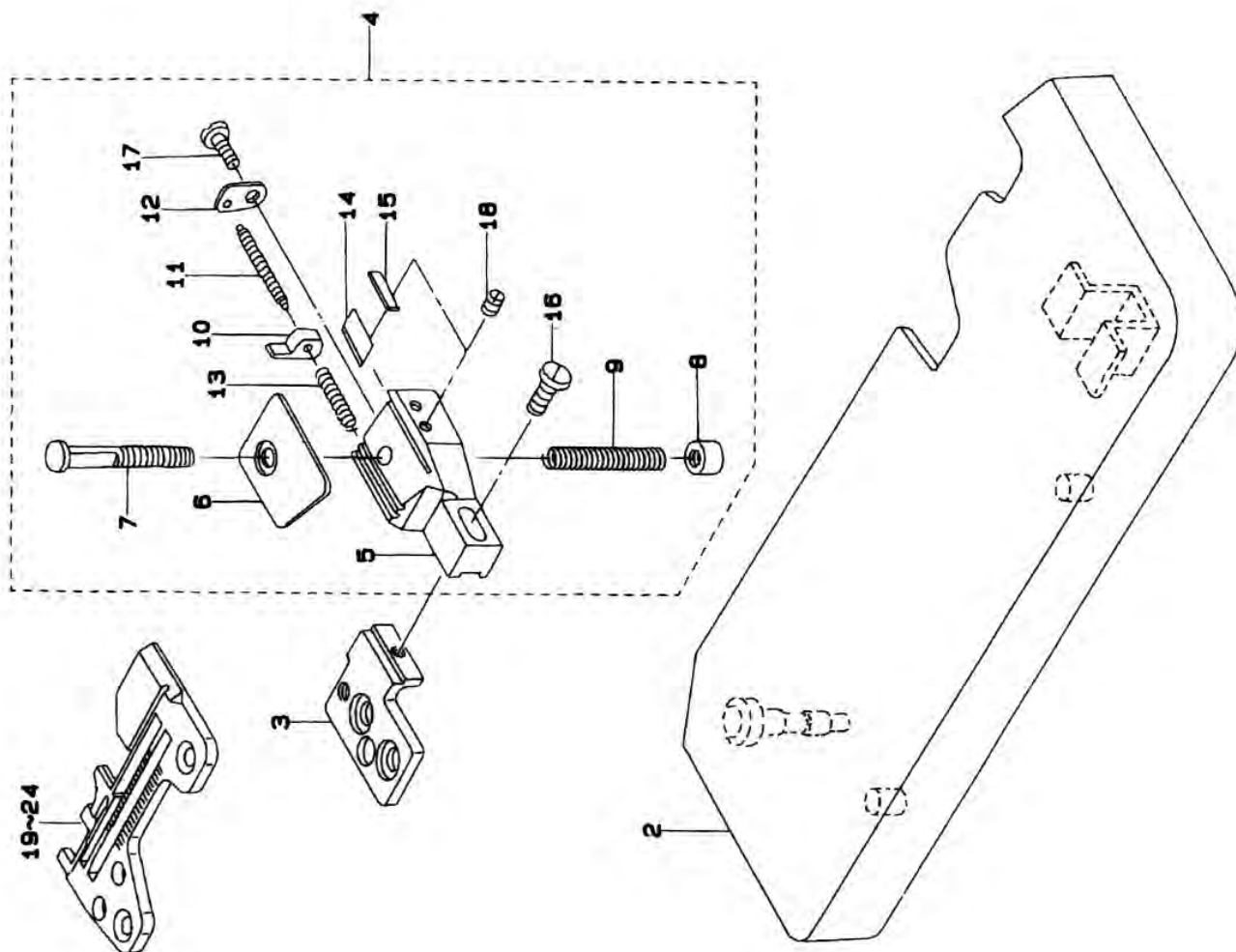
RICAMBI JUKI

GAUGE SET	MO-2516-					
	DD6-320 DD6-320-FG (3.2X3.2mm)	DD6-500 DD6-500-FG (3.2X3.2mm)	DF6-500 DF6-500-FG (3.2X4.8mm)	FF6-100 FF6-100-FG (4.8X4.8mm)	FF6-320 FF6-320-FG (4.8X4.8mm)	FF6-500 FF6-500-FG (4.8X4.8mm)
Throat Plate	 R4608-HOD-FOO	 R4608-HOD-FOO	 R4608-HOF-GOO	 R4612-HOF-BOO		 R4612-HOF-GOO
Diff Feed Dog	 118-85803	 118-85308	 118-85407	 118-86009	 118-85902	 118-85407
Main Feed Dog	 118-83907	 118-82909	 118-84400	 118-84004	 118-84103	 118-83006
Chain Feed Dog	 118-87403	 118-87304	 118-87403	 118-87403		 118-87304
Needle Clamp asm.	 118-70359			 118-70458		
Presser foot asm.	 118-79657	 118-77552	 118-77651	 118-80556	 118-80457	 118-77750
Presser foot asm. (Finger Guard)	 118-79665	 118-77578	 118-77669	 118-80564	 118-80465	 118-77768

RICAMBI JUKI

GAUGE SET	MO-3904-	MO-3914-	MO-3916-	
	0E4 (0X4.0) 0E4-FG (0X4.0)	BE6 (2.0X4.0) BE6-FG (2.0X4.0)	DE4 (3.2X4.0) DE4-FG (3.2X4.0)	FF6 (4.8X4.8) FF6-FG (4.8X4.8)
Throat Plate	 R4200-JOE-DOO	 R4305-JOE-EOO	 R4508-JOE-DOO	 R4612-JOF-DOO
Diff Feed Dog	 B1657-804-OOT	 119-49906	 121-72805	 121-73308
Main Feed Dog	 118-82107	 119-49807	 118-82800	 118-84004
Aux. Feed Dog	 118-87106		 118-87403	
Needle Clamp asm.	 121-48607	 121-48706	 121-49803	 121-50306
Presser foot asm.	 118-76158	 121-52450	 121-53755	 121-54258
Presser foot asm. (Finger Guard)	 118-76166	 121-52468	 121-53763	 121-54266

Z173 rientro catenella JUKI 3000/6000

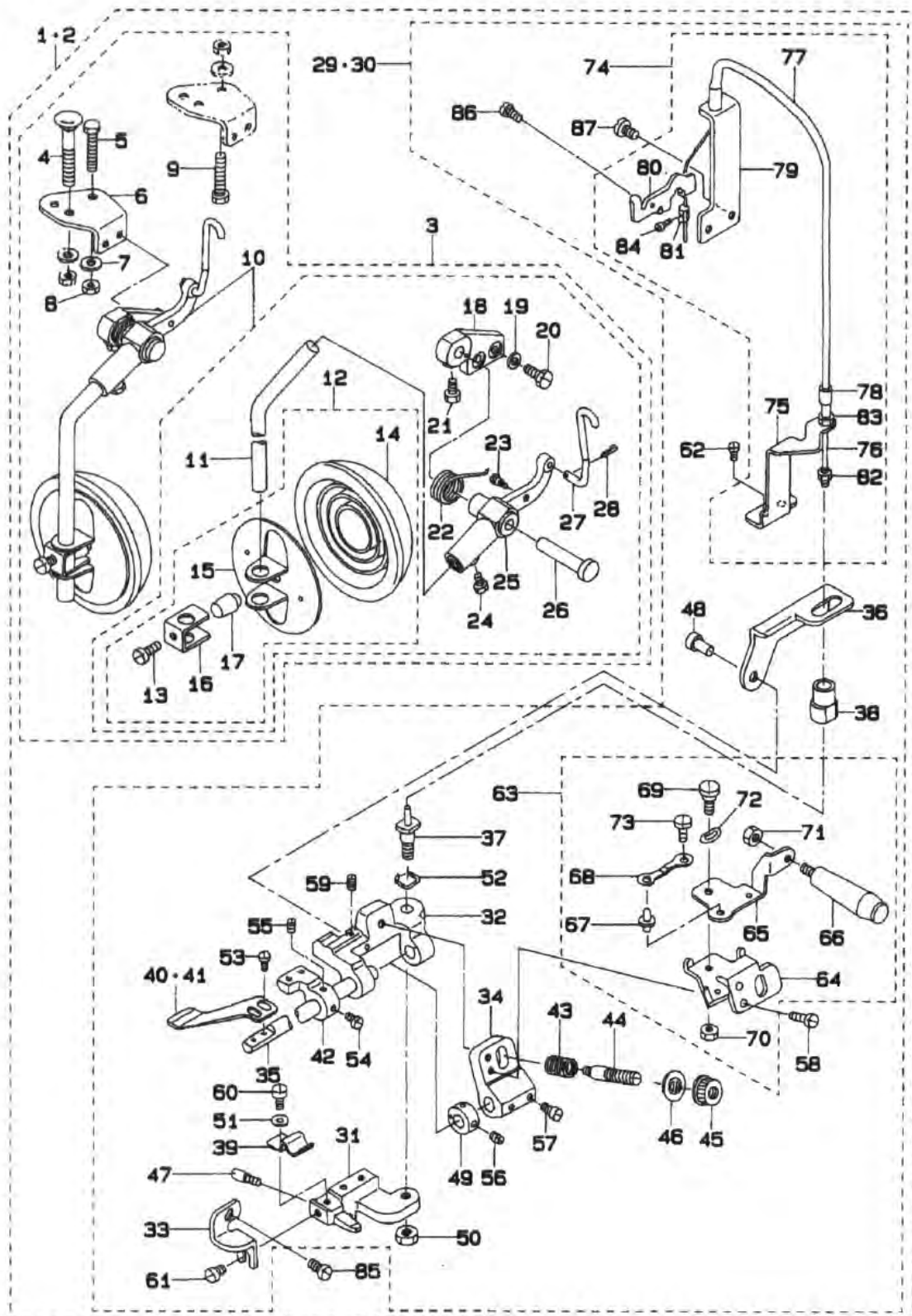


1	MAZ-173000A0	ROLLING INDEVICE ASM.
2	119-48783	CLOTH PLATE ASM.
3	MAZ-17301000	THROAT PLATE BASE(A)
4	MAZ-082000C0	ROLLING INDEVICE ASM.
5	MAZ-08201000	HOLDER BASE
6	MAZ-08203000	REAR PRESSER PLATE
7	MAZ-08204000	REAR PRESSER REGULATING SHAFT
8	MAZ-08205000	REAR PRESSER REGULATING KNOB
9	MAZ-08206000	REAR PRESSER REGULATING SPRING
10	MAZ-08207000	REAR GUIDE
11	MAZ-08208000	REAR GUIDE SHAFT
12	MAZ-08209000	REAR GUIDE SHAFT BASE
13	MAZ-08210000	REAR GUIDE SPRING
14	MAZ-08211000	KNIFE
15	MAZ-08212000	KNIFE PRESSER
16	SS-7091110-SP	SCREW 9/64-40 L=10.5
17	SS-7090850-SP	SCREW 9/64-40 L=8
18	SS-8090410-SP	SCREW 9/64-40 L= 3.5
19 #01	R4200-J2D-D00	THROAT PLATE
20 #02	R4200-J2D-D0A	THROAT PLATE
21 #03	R4200-J2D-D0B	THROAT PLATE
22 #04	R4200-J2E-D00	THROAT PLATE
23 #05	R4300-J2D-E00	THROAT PLATE
24 #0E	R4300-J2E-E00	THROAT PLATE

RICAMBI JUKI

S159 arricciatore JUKI 3000/6000

1. S159 : SAFETY STITCH MACHINE WITH PEDAL
 インターロック用ペダル連動式
 S160 : OVERLOCK STITCH MACHINE WITH PEDAL
 オーバーロック用ペダル連動式



RICAMBI JUKI

1#01	MAS-159000A0	GATHERING DEVICE ASM.	51	WP-0480856-SP	WASHER 4.8X8.4X0.8
2#02	MAS-160000A0	GATHERING DEVICE ASM.	52	WZ-0850302-K0	WAVED WASHER
3	MAS-107010A0	KNEE OPERATING DEVICE ASM.	53	SS-6090650-SP	SCREW 9/64-40 L=6
4#03	MAS-10704000	BOLT	54	SS-6110650-TP	SCREW 11/64-40 L=5.5
5#04	SM-9083013-SC	SCREW M8 L=30	55	SS-8110520-TP	SCREW 11/64-40 L= 4.5
6	MAS-10701000	INSTALLING PLATE	56	SS-8110520-TP	SCREW 11/64-40 L= 4.5
7#04	WP-0850002-SC	WASHER 8.5X18X1.6	57	SS-6110710-TP	SCREW 11/64-40 L= 6.5
8#04	NM-6080600-SM	NUT M8	58	SS-4090715-SP	SCREW 9/64-40 L=7
9#05	SM-9084533-SC	SCREW M8 L=45	59	SS-8090410-SP	SCREW 9/64-40 L= 3.5
10	MAS-107010C0	KNEE PRESS PLATE ASM.	60	SS-7110710-SP	SCREW 11/64-40 L=7
11	MAS-10702000	ROD	61	SS-7110720-SP	SCREW 11/64-40 L=7
12	110-23751	KNEE PRESS PLATE ASM.	62	SS-7110910-SP	SCREW 11/64-40 L=8.5
13	SM-9061203-SE	SCREW M6 L=12	63	MAS-159060A0	LIFTING ARM ASM.
14	229-34509	KNEE PAD PLATE COVER	64	MAS-15906000	LIFTING ARM
15	229-34202	KNEE PAD PLATE	65	MAS-15907000	MANUAL LEVER ARM
16	229-34301	KNEE PAD PLATE SUPPORT	66	MAS-15915000	MANUAL LEVER
17	229-34400	KNEE PAD PLATE RUBBER	67	MAL-12115000	ARM FIXING PLATE
18	MAS-10501000	LEVER INSTALLING BASE	68	MAL-12116000	FIXING PLATE STOPPER
19	WP-0740516-SP	WASHER 7.4X11.8X0.5	69	SD-0600352-SP	HINGE SCREW
20	SS-9681610-TP	SCREW 9/32-28 L=16	70	NS-6110350-SP	NUT 11/64-40
21	SS-9151210-TP	SCREW 15/64-28 L=11.8	71	NM-6050001-SP	NUT M5
22	MAS-10503000	SPRING	72	WZ-0640312-K0	WAVED WASHER
23	SD-0550501-SP	HINGE SCREW D=5.5 H=5	73	SS-7110340-SP	SCREW 11/64-40 L= 3.2
24	SS-9151210-TP	SCREW 15/64-28 L=11.8	74	MAS-159120A0	WIRE STOPPER ARM.
25	MAS-10502000	LEVER	75	MAS-15912000	WIRE STOPPER
26	MAS-10504000	PIN	76	MAS-159130A0	WIRE ASM
27	MAS-10703000	CONNECTING ROD	77	MAS-15914000	WIRE TUBE
28	PD-0201000-0D	SPLIT PIN 1.8X10	78	MAS-12512000	WIRE ADJUSTING STUD
29#01	MAS-159010A0	PEDAL SHIRING ATTACHMENT ASM.	79	MAS-057180A0	WIRE SUPPORT ASM.
30#02	MAS-160010A0	PEDAL SHIRING ATTACHMENT ASM.	80	MAS-05719000	LIFTING LEVER CONNECTOR
31	MAS-15901000	PRESSER PLATE BASE	81	MAS-05720000	WIRE STOPPER
32	MAS-15902000	SWING BASE	82	NS-6090310-SP	NUT 9/64-40
33	MAS-15903000	BRACKET	83	NS-6110310-SP	NUT 11/64-40
34	MAS-15904000	ARM	84	SS-9090640-SP	SCREW 9/64-40 L=6
35	MAS-15905000	SHAFT	85	SS-7110840-SP	SCREW 11/64-40 L=7.8
36	MAS-15908000	LIFTING LEVER	86	SS-7110710-SP	SCREW 11/64-40 L=7
37	MAS-15909000	LIFTING SHAFT	87	SS-6151040-SP	SCREW 15/64-28 L=10
38	MAS-15910000	LIFTING COLLAR			
39	MAS-15911000	SPRING			
40#01	MAS-05108000	INTERMITTENT SHIRING PRESSER			
41#02	MAS-05208000	INTERMITTENT SHIRING PLATE			
42	MAS-05212000	PIPING MOUNTING BLOCK			
43	MAS-05205000	SPRING			
44	B3105-804-000	TENSION POST			
45	B3116-125-000	TENSION NUT			
46	B3120-125-000	ROTATING STOPPER			
47	MAS-05202000	SCREW			
48	MAS-05714000	PIN			
49	CS-0790811-SP	THRUST COLLAR D=7.94 W=8			
50	NS-6160520-SP	NUT 1/4-24			

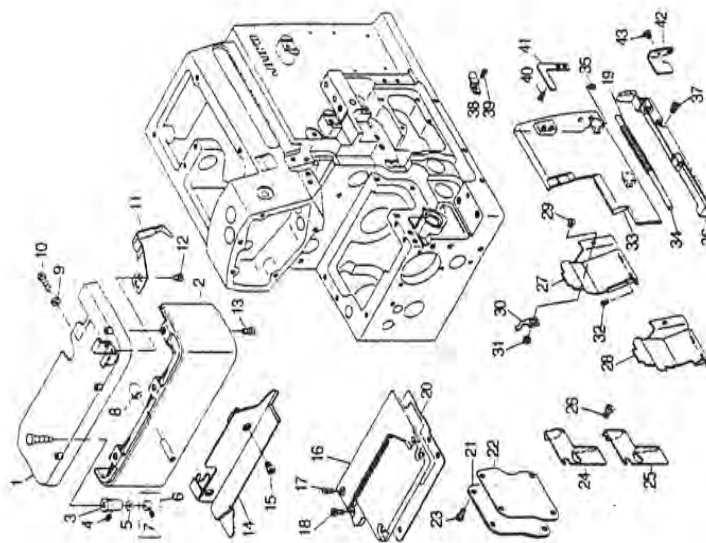


- 1-Needle,Overredging Industrial Sewing Machine
MO-3604-OE4
- 2-Needle,Overredging Industrial Sewing Machine
MO-3614-BE6
- Safety Stitch Industrial Sewing Machine
MO-3616-DE4

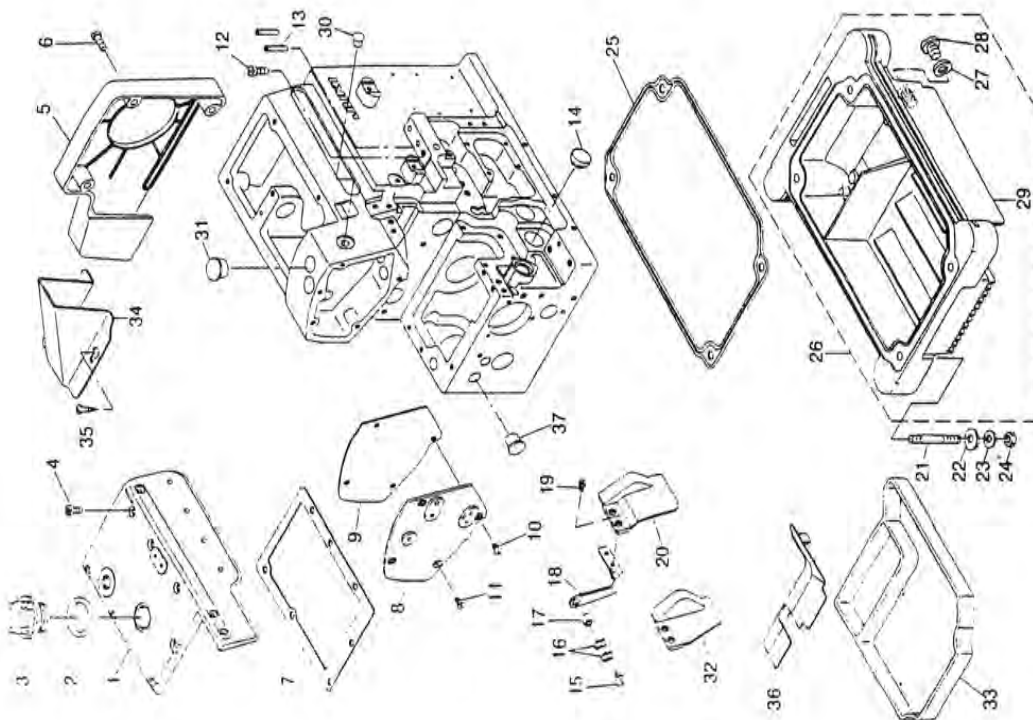
29186103
No.1099-00

PARTS LIST

1. FRAME COMPONENTS(1)



2. FRAME COMPONENTS(2)



RICAMBI JUKI 3600

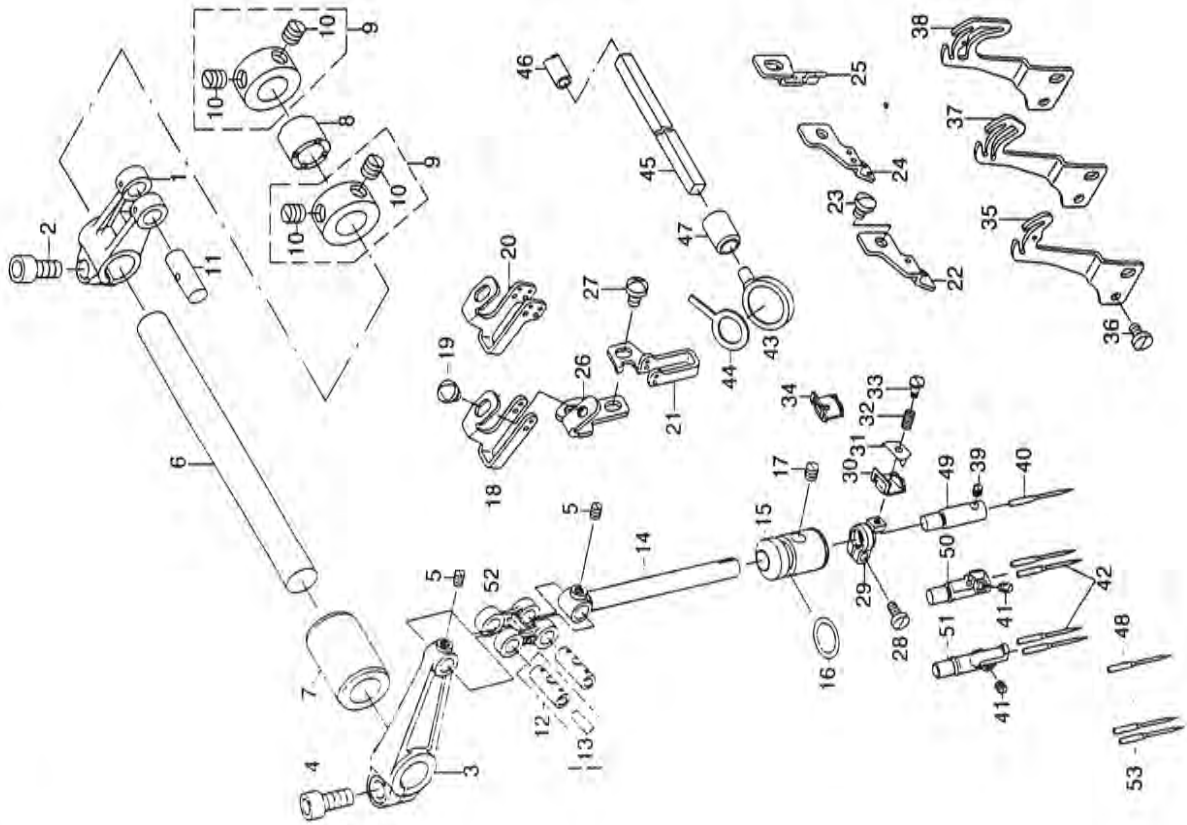
REF. NO	NOTE	PART. NO.	D. E. S. C. R. J. P. T. I. O. N.	QTY.
1		121-02752	CLOTH PLATE ASM.	1
2		119-49005	CLOTH BASE COVER	1
3		115-01301	ECCENTRIC BUSHING	1
4		SS-8110410-TT	SCREW 11/64-40 L= 3.5	1
5		WZ-0420350-KP	DISC SPRING	1
6		CS-040051A-SB	THRUST HOLDER D=9 W=5	1
7		SS-8080322-TT	SCREW 1/8-44 L=3.2	(1)
8		118-02204	RUBBER PLUG	1
9		MS-6110420-SP	NUT 11/64-40	1
10		SS-6111440-SP	SCREW 11/64-40 L=14.0	1
11		118-10207	STOPPER	1
12		SS-7110510-SP	SCREW 11/64-40 L=5	2
13		SS-4091015-SP	SCREW 9/64-40 L=10	3
14		121-01655	CLOTH PLATE SIDE COVER ASM.	1
15		SS-4120615-SP	SCREW 3/16-28 L=6	2
16		122-50510	FEED MECHANISM COVER	1
17		SM-1040801-SC	SCREW MAXO. 7 L=8	1
18		SM-4040855-SP	SCREW	4
19		R1140-716-000	SPRING	1
20		122-50601	GASKET	1
21		119-51100	COVER	1
22		122-70500	GASKET	1
23		SM-4040855-SP	SCREW	4
24	#01	121-02307	CHIP GUARD COVER, LEFT	1
25	#02	121-02406	CHIP GUARD COVER, LEFT	1
26		SS-7110510-SP	SCREW 11/64-40 L=5	2
27	#01	122-86803	CLOTH WASTE COVER	1
28	#02	122-86902	CLOTH WASTE COVER	1
29		SS-2090520-SL	SCREW 9/64-40 L=5	1
30		121-01515	CROTH WASTE COVER STOPPER	1
31		MS-6090310-SN	NUT 9/64-40	1
32		SS-3090610-SP	SCREW 9/64-40 L=6	2
33		121-01309	LOOPER COVER	1
34		118-03004	LOOPER COVER HINGE PIN	1
35		SS-8110410-TT	SCREW 11/64-40 L= 3.5	1
36		121-01200	LOOPER COVER BRACKET	1
37		SM-4041055-SP	SCREW	3
38		121-03404	LOOPER COVER PRESSER SPRING	1
39		SM-4040655-SP	SCREW	1
40		SS-7090530-SP	SCREW 9/64-40 L= 4.5	1
41		121-03206	LOOPER COVER PRESSER PLATE	1
42		121-01408	GUIDE PLATE	1
43		SS-7090610-SP	SCREW 9/64-40 L=6	1

NOTE #01.....FOR M0-3604, M0-3614
#02.....FOR M0-3616

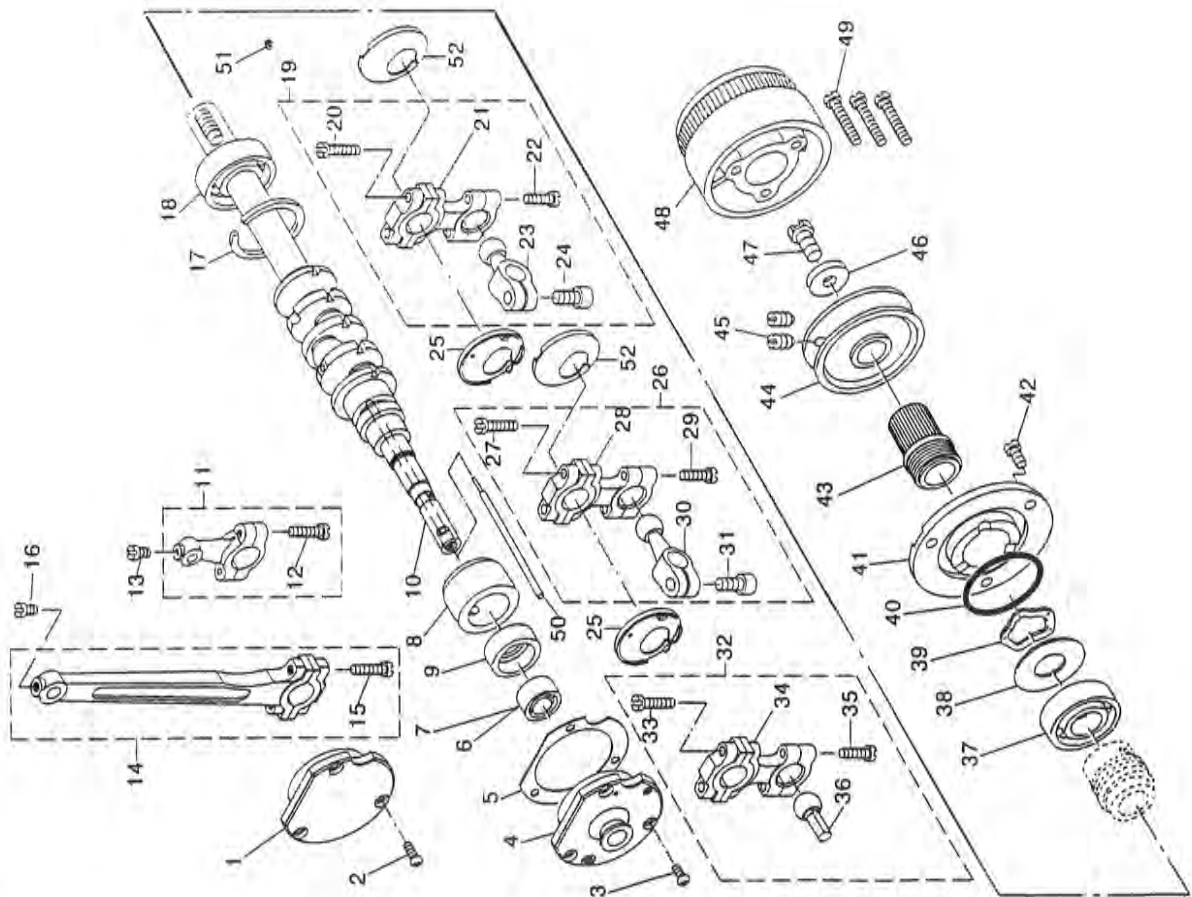
1		122-70203	UPPER COVER	1
2		R0-1952401-00	RUBBER RING	1
3		R3530-555-000	OIL SIGHT WINDOW	1
4		SM-4051055-SP	SCREW	1
5		121-01903	BELT COVER	1
6		SS-4151215-SP	SCREW 15/64-28 L=12	3
7		122-70302	UPPER COVER	1
8		122-50205	SIDE COVER	1
9		121-00301	SIDE COVER GASKET	1
10		SM-4040855-SP	SCREW	3
11		SM-1040801-SC	SCREW MAXO. 7 L=8	1
12		SS-9151210-TT	SCREW 15/64-28 L=11.8	1
13		118-05207	THREAD GUIDE, LARGE	2
14	#01	TA-1871602-R0	RUBBER PLUG	1
15		SS-5110710-SP	SCREW 11/64-40 L=7	1
16		WZ-0850302-K0	WAVED WASHER 8.5X12.5X0.3	2
17		R3013-141-100A	WASHER	1
18		121-02000	SAFETY PLATE BRACKET	1
19		SS-7090611-SL	SCREW 9/64-40 L=6.1	2
20	#02	121-02109	SAFETY PLATE	1
21		115-03703	SCREW STUD	4
22		W0-0751576-SD	WASHER 7.5X19X1.5	4
23		WS-0822010-KP	SPRING WASHER 8.2X15X2	4
24		MS-6680410-SP	NUT 9/32-28	4
25		115-03919	OIL RESERVOIR GASKET	1
26		115-03885	OIL RESERVOIR ASM.	1
27		R0-0742401-00	RUBBER RING	(1)
28		SM-0081001-SD	SCREW	(1)
29		115-03810	OIL RESERVOIR	(1)
30		TA-0750704-R0	RUBBER PLUG	1
31		TA-1701107-R0	RUBBER PLUG	1
32	#01	121-04907	SAFETY PLATE	1
33		118-41350	FILTER BASE ASM.	1
34	#03	121-05201	BELT COVER	1
35	#03	SK-3412000-SC	WOOD SCREW D=4.1 L=20	2
36		122-71904	SHUTTER PLATE	1
37		TA-1120804-R0	RUBBER PLUG	1

NOTE #01.....FOR M0-3604, M0-3614
#02.....FOR M0-3616
#03.....FOR JE

4. NEEDLE DRIVING SHAFT COMPONENTS

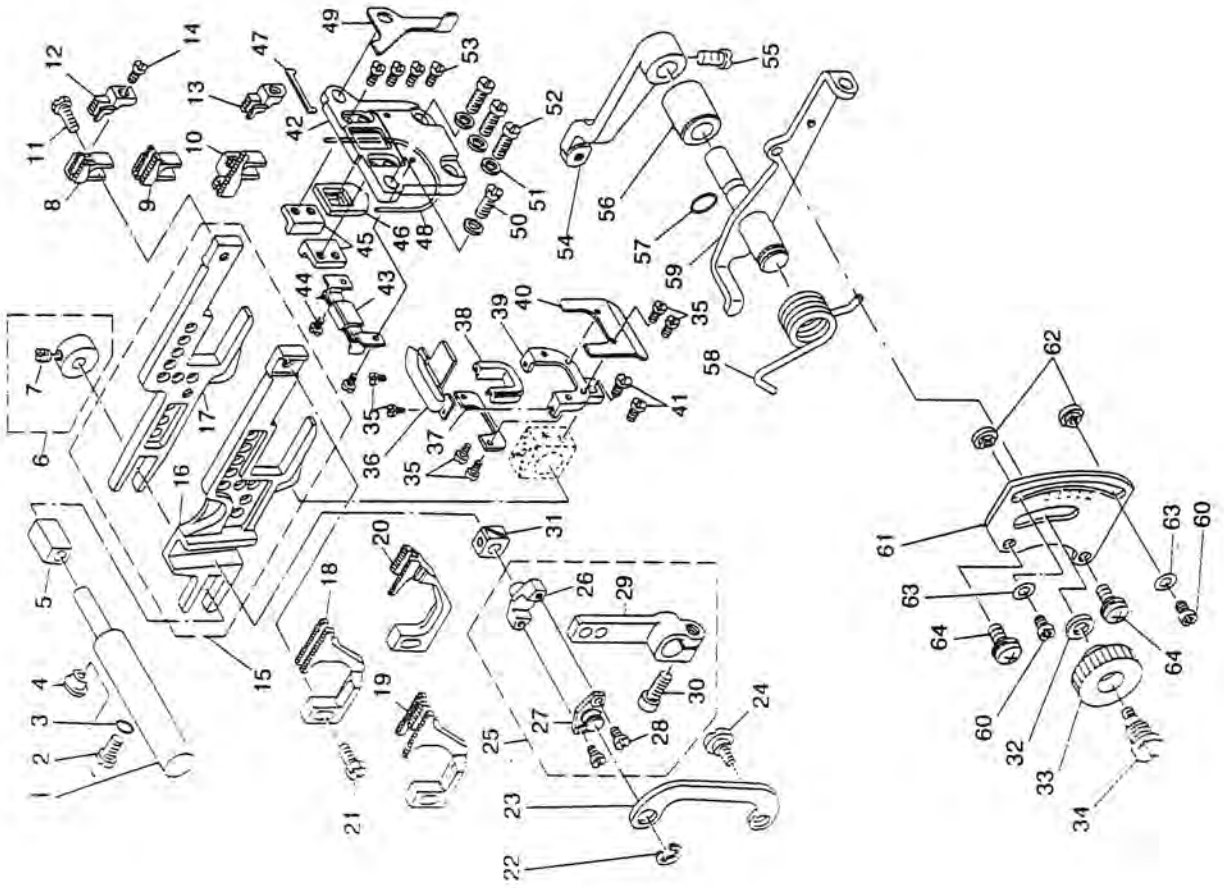


3. CRANKSHAFT COMPONENTS

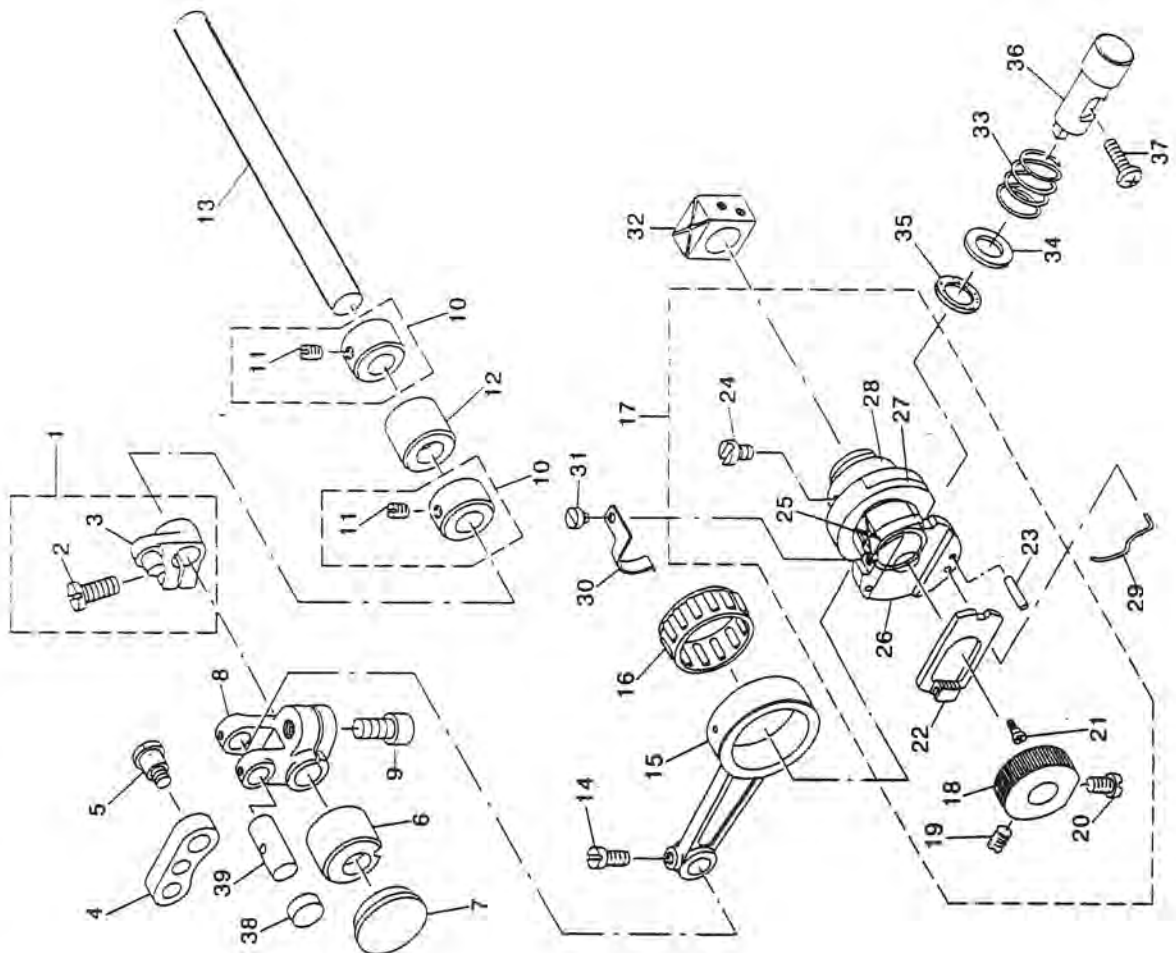


RICAMBI JUKI 3600

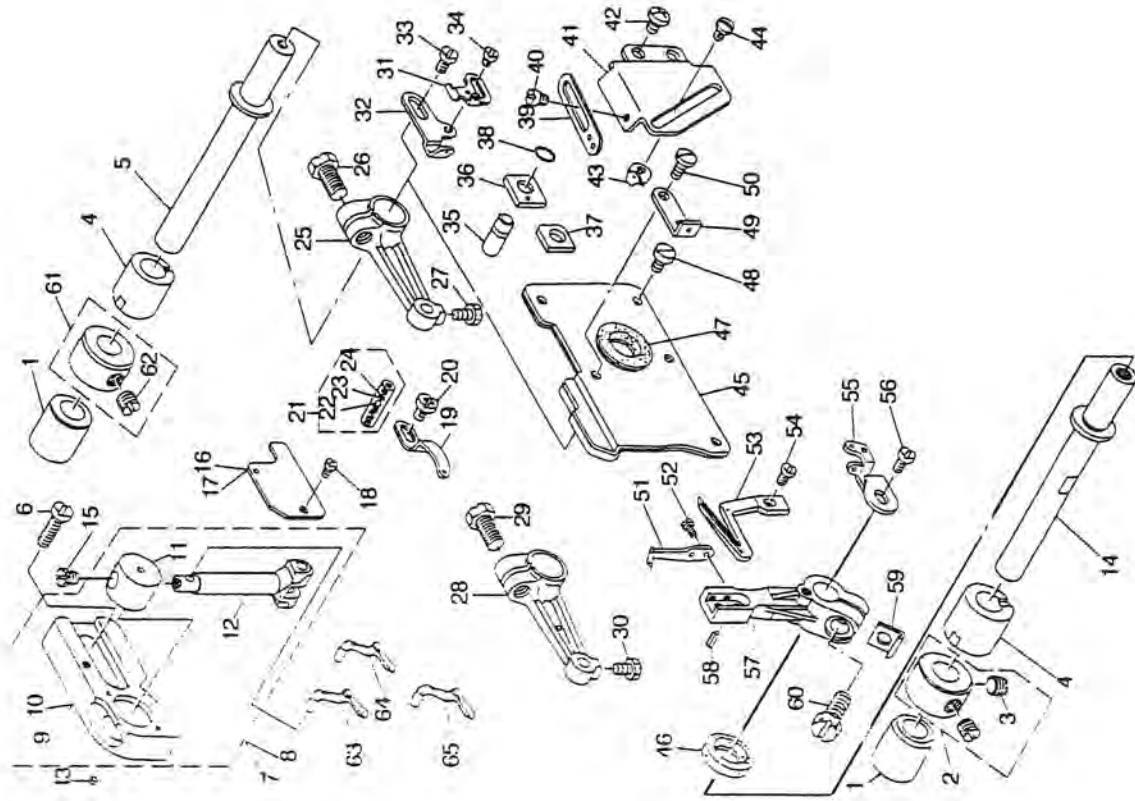
6 FEED MECHANISM COMPONENTS(2)



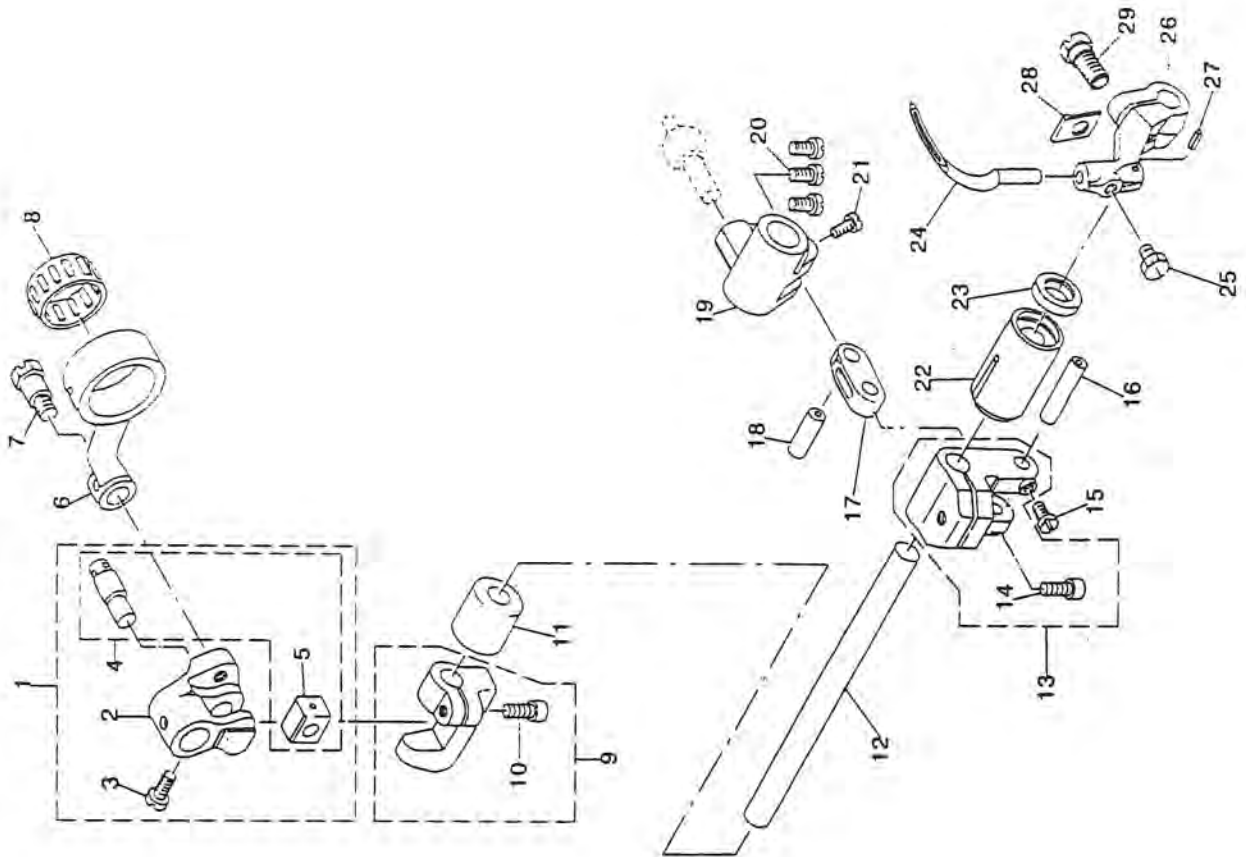
5. FEED MECHANISM COMPONENTS(1)



8. UPPER & LOWER LOOPER COMPONENTS



7. CHAIN LOOPER COMPONENTS (FOR MO-3616)



RICAMBI JUKI 3600

1	11	9959	SLIDER ARM ASM.	1
2	118-29900	CHAIN LOOPER SHAFT SLIDE ARM	(1)	
3	SS-7110720-TP	SCREW 11/64-40 L=7	(1)	
4	118-29751	CHAIN LOOPER SLIDE BLOCK PIN	(1)	
5	B2105-816-000	CHAIN LOOPER SLIDE BLOCK	(1)	
6	B2102-816-000-A	CHAIN LOOPER ROD (22MM)	1	
7	SD-0720803-TH	STEP-SCREW D=7.24 H=8	1	
8	#01	BEARING B	1	
9	121-20465	BRACKET ASM.	1	
10	SM-6051202-TP	SCREW M5X0.8 L=12	(1)	
11	B2111-716-000	BUSHING, REAR	1	
12	122-83404	CHAIN LOOPER SHAFT	1	
13	115-39061	CHAIN LOOPER SHAFT DRIVING ARM	1	
14	SM-6051202-TP	SCREW M5X0.8 L=12	(1)	
15	SS-4080610-SP	SCREW 1/8-44 L=6.4	1	
16	#01	PIN	1	
17	118-29801	CHAIN LOOPER SHAFT DRIV. LINK	1	
18	#01	PIN	1	
19	121-21612	DRIVING BALL ARM BRACKET	1	
20	SS-6110710-TP	SCREW 11/64-40 L=6.5	3	
21	SS-4080610-SP	SCREW 1/8-44 L=6.4	1	
22	121-22008	BUSHING, FRONT	1	
23	B2525-352-000	OIL SEAL RING	1	
24	118-29405	CHAIN LOOPER	1	
25	SS-9110430-TP	SCREW 11/64-40 L=4	1	
26	122-83503	CHAIN LOOPER DRIVING ARM	1	
27	PS-0200062-KII	SPRING PIN 2X6	1	
28	B2531-704-000	WASHER	1	
29	SS-9151210-TP	SCREW 15/64-28 L=11.8	1	

NOTE (注記) #01...SELECTING PART FOR FIT TOLERANCE

1	122-54009	BUSHING, REAR	2
2	CS-103121A-SH	COLLAR ASM. D=10.32 W=12	2
3	SS-8660530-TP	SCREW 1/4-40 L=4.5	(4)
4	R2507-804-000-B	RUSHING, FRONT	2
5	121-22404	UPPER LOOPER SHAFT	1
6	SS-6061200-SP	SCREW	2
7	122-54157	UPPER LOOPER GUIDE A ASM.	1
8	122-54256	UPPER LOOPER GUIDE B ASM.	1
9	118-33613	UPPER LOOPER GUIDE SUPPORT	(1)
10	118-93302	UPPER LOOPER GUIDE SUPPORT B	(1)
11	B2512-801-000-A	UPPER LOOPER GUIDE	(1)
12	118-31617	UPPER LOOPER HOLDER	(1)
13	118-42101	OIL FELT	1
14	121-23410	LOWER LOOPER SHAFT	1
15	SS-9110430-TP	SCREW 11/64-40 L=4	1
16	119-91601	UPPER LOOPER GUIDE COVER	1
17	R2515-704-000-B	UPPER LOOPER GUIDE COVER B	1
18	SS-7060610-SP	SCREW 3/32-56 L=5.5	2
19	118-33308	UPPER LOOPER THREAD GUIDE	1
20	SS-4090615-SP	SCREW 9/64-40 L=6	1
21	118-31757	TIN ASM.	(1)
22	118-31708	OIL WICK STOPPER BALL	(1)
23	Q 2020000-00	OIL WICK	(0.1)
24	Q 2000000-00	OIL WICK	(0.1)
25	122-84402	LOOPER HOLDER, A	1
26	SS-9151210-TP	SCREW 15/64-28 L=11.8	1
27	SS-9090610-TP	SCREW 9/64-40 L=5.5	1
28	122-84501	LOOPER HOLDER, B	1
29	SS-9151210-TP	SCREW 15/64-28 L=11.8	1
30	SS-9090610-TP	SCREW 9/64-40 L=5.5	1
31	118-33508	LOWER LOOPER THREAD TAKE-UP	1
32	121-24004	THREAD TAKE-UP, RIGHT	1
33	SS-7110840-SP	SCREW 11/64-40 L=7.8	1
34	SS-6080410-SP	SCREW 1/8-44 L=4	1
35	118-31906	PIN	1
36	118-31807	GAUGE	1
37	119-91809	RUBBER RING	1
38	RO-0371801-00	THREAD GUIDE, RIGHT	1
39	121-23907	SCREW 9/64-40 L=6	1
40	SS-3090610-SP	LOOPER THREAD TAKE-UP COVER	1
41	121-23808	SCREW	2
42	SM-4040655-SP	LOWER LOOPER THREAD GUIDE	1
43	118-33407	SCREW 9/64-40 L=6	1
44	SS-3090610-SP	OIL SEAL	1
45	121-23667	UPPER LOOPER SHAFT RUBBER RING	1
46	B2508-704-000	SCREW 9/64-40 L=6	4
47	R2530-704-000	LOOPER THREAD GUIDE	1
48	SS-6090630-SP	SCREW 9/64-40 L=8	1
49	118-33100	TRAVELING NEEDLE GUARD	1
50	SS-7090850-SP	SCREW 3/32-56 L=3.5	2
51	118-90001	LOWER LOOPER	1
52	SS-6060440-TP	SCREW	1
53	119-99307	LOOPER THREAD TAKE-UP, LEFT	1
54	SS-6090620-TP	SCREW	1
55	118-33209	LOWER LOOPER ARM	1
56	SS-7110840-SP	SCREW 11/64-40 L=7.8	1
57	122-87306	LOWER LOOPER ARM	1
58	PS-0300062-KII	SPRING PIN 3X6	1
59	R2531-704-000	WASHER	1
60	SS-9151210-TP	SCREW 15/64-28 L=11.8	1
61	CS-103121A-SH	COLLAR ASM. D=10.32 W=12	(2)
62	SS-8660530-TP	SCREW 1/4-40 L=4.5	1
63	121-76004	UPPER LOOPER	1
64	118-88104	UPPER LOOPER	1
65	119-99208	UPPER LOOPER	1

NOTE

#01...FOR MO-3604, MO-3616
 #02...FOR MO-3614
 #03...SELECTING PART FOR FIT TOLERANCE
 #04... (NEEDLE #9, #11, #14)
 #05...FOR MO-3604, MO-3616
 (NEEDLE #14, #16, #18)
 #06...FOR MO-3604, MO-3614
 #07...FOR MO-3616



1-Needle, Overreding Industrial Sewing Machine
超高速一本針オーバロックマシン

MO-3904-OE4

2-Needle, Overreding Industrial Sewing Machine
超高速二本針オーバロックマシン

MO-3914-BE6

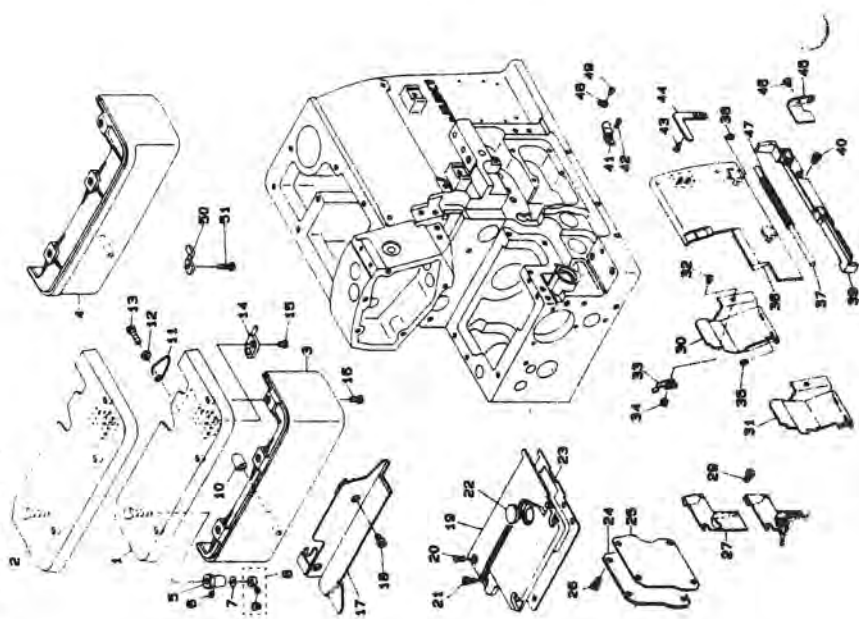
Safety Stitch Industrial Sewing Machine
超高速安全縫マシン

MO-3916-DE4

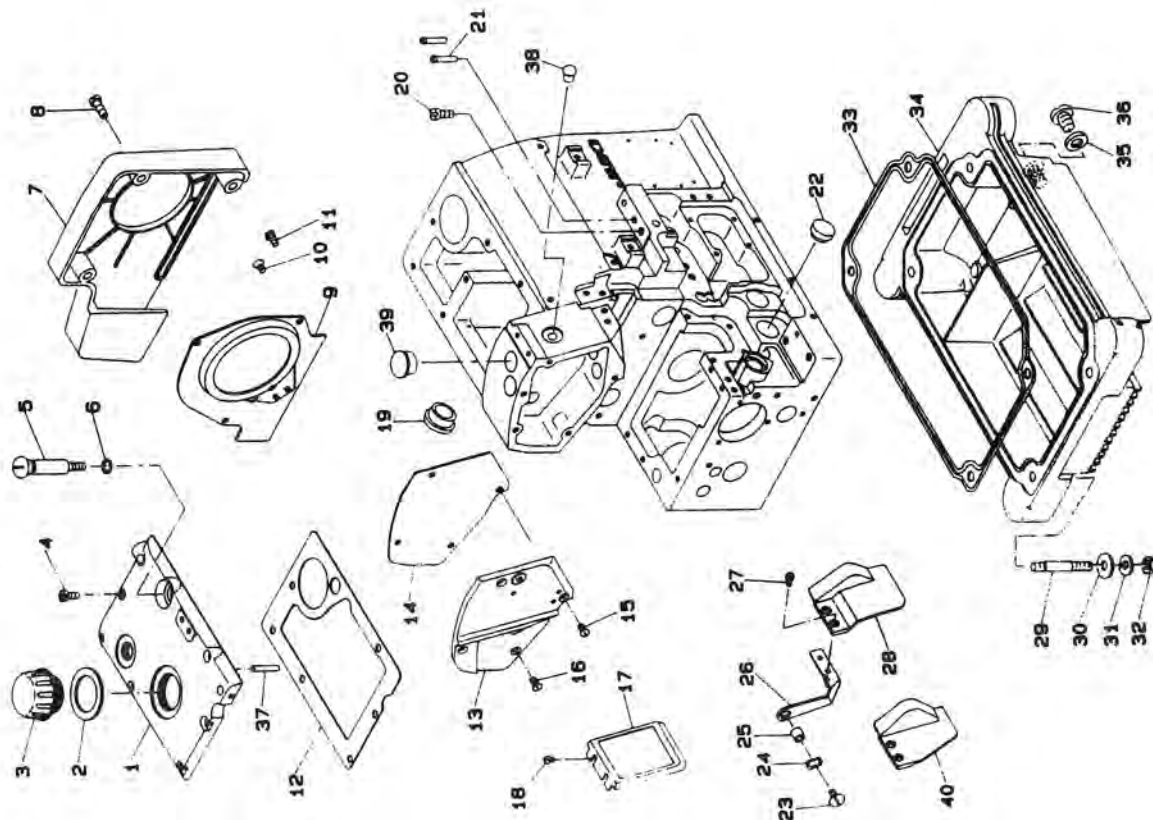
PARTS LIST

29125408
No.0829-00

1. FRAME COMPONENTS(1) フレーム関係 (1)



2. FRAME COMPONENTS(2) フレーム関係 (2)



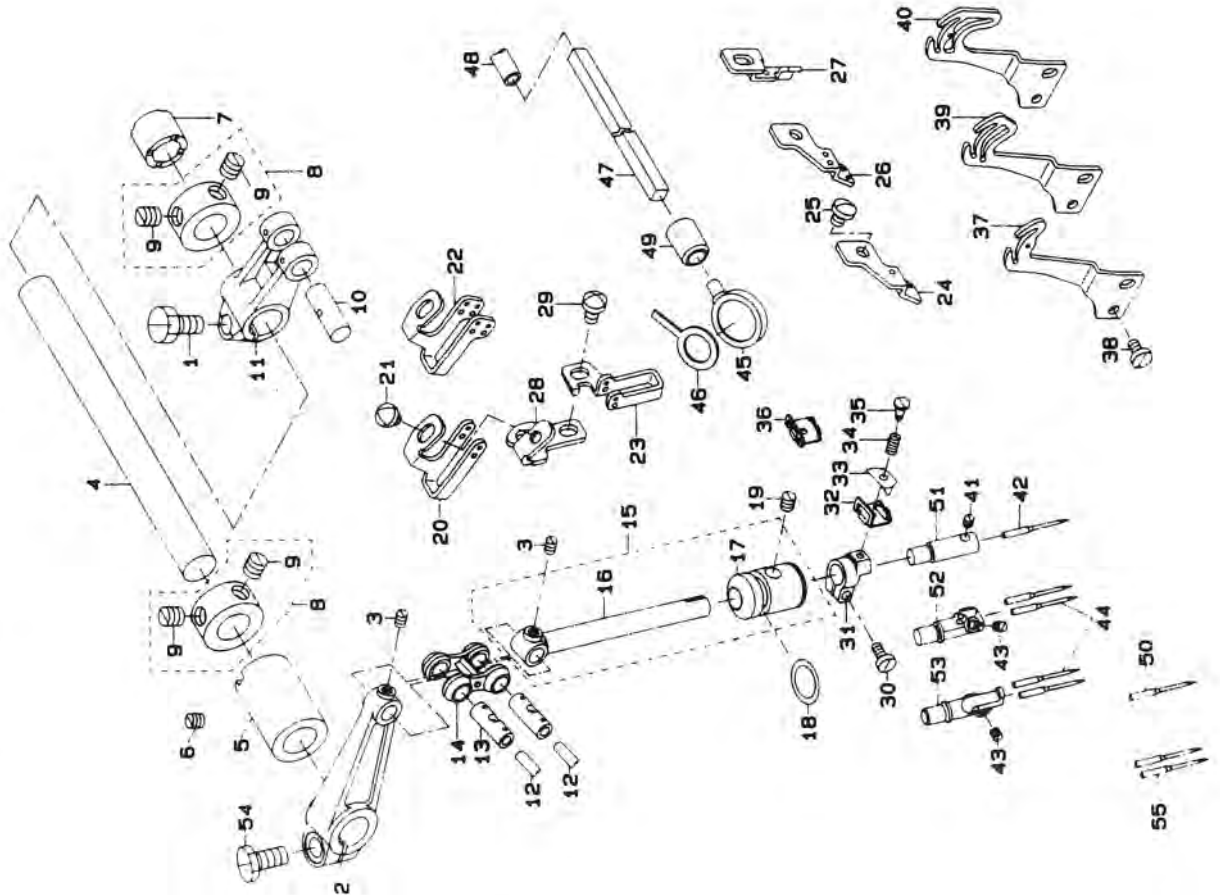
RICAMBI JUKI 3900

1	121-02752	CLOTH PLATE ASM.	1	121-00400	UPPER COVER	1
2	#03 21-04550	CLOTH PLATE ASM.	1	121-00707	GASKET	1
3	#03 19-49005	CLOTH BASE COVER	1	121-00608	CAP	1
4	119-49104	CLOTH BASE COVER	1	SS-4121215-SP	SCREW 3/16-28 L=12	6
5	115-01301	ECCENTRIC BUSHING	1	121-00806	OIL DRAIN SCREW	1
6	SS-8110410-TP	SCREW 11/64-40 L= 3.5	1	RO-0781901-00	RUBBER RING	1
7	WZ-0420350-KP	DISC SPRING	1	121-01903	BELT COVER	1
8	CS-040051A-SD	THRUST HOLDER D=4 W=5	1	SS-4151215-SP	SCREW	3
9	SS-8080322-TP	SCREW 1/8-44 L=3.2	(1)	121-01804	COOLING FAN PLATE	1
10	118-02204	RUBBER PLUG	1	SS-1110840-SP	SCREW 11/64-40 L=8	1
11	118-02402	SPRING	1	SS-7110840-SP	SCREW 11/64-40 L=7.8	2
12	NS-6110420-SP	NUT 11/64-40	1	121-00509	UPPER COVER GASKET	1
13	SS-6111440-SP	SCREW 11/64-40 L=14.0	1	121-00202	SIDE COVER	1
14	121-03305	STOPPER	1	121-00301	SIDE COVER GASKET	1
15	SS-7110710-SP	SCREW 11/64-40 L=7	2	SS-4110715-SP	SCREW 11/64-40 L=7	3
16	SS-4091015-SP	SCREW 9/64-40 L=10	2	SS-2110920-TP	SCREW 11/64-40 L=8.5	1
17	121-01655	CLOTH PLATE SIDE COVER ASM.	1	121-02653	BRAND LABEL ASM.	1
18	SS-4120615-SP	SCREW 3/16-28 L=6	2	SS-3090510-SL	SCREW 9/64-40 L=5	2
19	121-00905	FEED MECHANISM COVER	1	TA-2050805-RO	RUBBER PLUG	1
20	SS-1110840-SP	SCREW 11/64-40 L=8	1	SS-9151210-TP	SCREW 15/64-28 L=11.8	1
21	SS-4110815-SP	SCREW 11/64-40 L=8	4	118-05207	THREAD GUIDE, LARGE	2
22	TA-1250406-RO	RUBBER PLUG	1	TA-1871602-RO	RUBBER PLUG	1
23	121-01002	GASKET	1	SS-5110710-SP	SCREW 11/64-40 L=7	1
24	119-51100	COVER	1	WZ-0850302-KO	WAVED WASHER 8.5X12.5X0.3	1
25	118-04309	GASKET	1	B3013-141-H0A	WASHER	1
26	SS-4110715-SP	SCREW 11/64-40 L=7	4	121-02000	SAFETY PLATE BRACKET	1
27	121-02307	CHIP GUARD COVER, LEFT	1	SS-7090611-SL	SCREW 9/64-40 L=6.1	2
28	121-02406	CHIP GUARD COVER, LEFT	1	121-02109	SAFETY PLATE	1
29	SS-7110510-SP	SCREW 11/64-40 L=5	2	115-03703	SCREW STUD	4
30	121-47203	CLOTH WASTE COVER	1	WP-0751576-SD	WASHER 7.5X19X1.5	4
31	121-47807	CLOTH WASTE COVER	1	NS-0822010-KP	SPRING WASHER 8.2X15X2	4
32	SS-2090520-SL	SCREW 9/64-40 L=5	1	NS-6680410-SP	NUT 9/32-28	4
33	121-01507	CLOTH WASTE COVER STOPPER	1	115-03901	OIL RESERVOIR GASKET	1
34	NS-6090310-SH	NUT 9/64-40	1	115-03802	OIL RESERVOIR	1
35	SS-3090610-SP	SCREW 9/64-40 L=6	2	118-10306	OIL DRAIN CAP GASKET	1
36	121-01309	LOOPER COVER	1	SS-6741010-SP	SCREW 3/8-28 L=10	1
37	118-03004	LOOPER COVER HINGE PIN	1	PS-0300132-KH	SPRING PIN 3X13	1
38	SS-8110410-TP	SCREW 11/64-40 L= 3.5	1	TA-0750704-RO	RUBBER PLUG	1
39	121-01200	LOOPER COVER BRACKET	1	TA-1701107-RO	RUBBER PLUG	1
40	SS-6111010-SP	SCREW 11/64-40 L= 8.5	3	121-04907	SAFETY PLATE	1
41	121-03404	LOOPER COVER PRESSER SPRING	1			
42	SS-7110720-SP	SCREW 11/64-40 L=7	1			
43	SS-7090530-SP	SCREW 9/64-40 L= 4.5	2			
44	121-03206	LOOPER COVER PRESSER PLATE	1			
45	121-01408	LOOPER COVER GUIDE PLATE	1			
46	SS-7090610-SP	SCREW 9/64-40 L=6	1			
47	B1140-716-000	SPRING	1			
48	121-01101	FEED MECHANISM COVER PRESSER	1			
49	SS-6080340-SP	SCREW 1/8-44 L=3.0	1			
50	121-03503	CLOTH PLATE SUPPORTER	1			
51	SS-7091410-SP	SCREW 9/64-40 L=13.5	1			

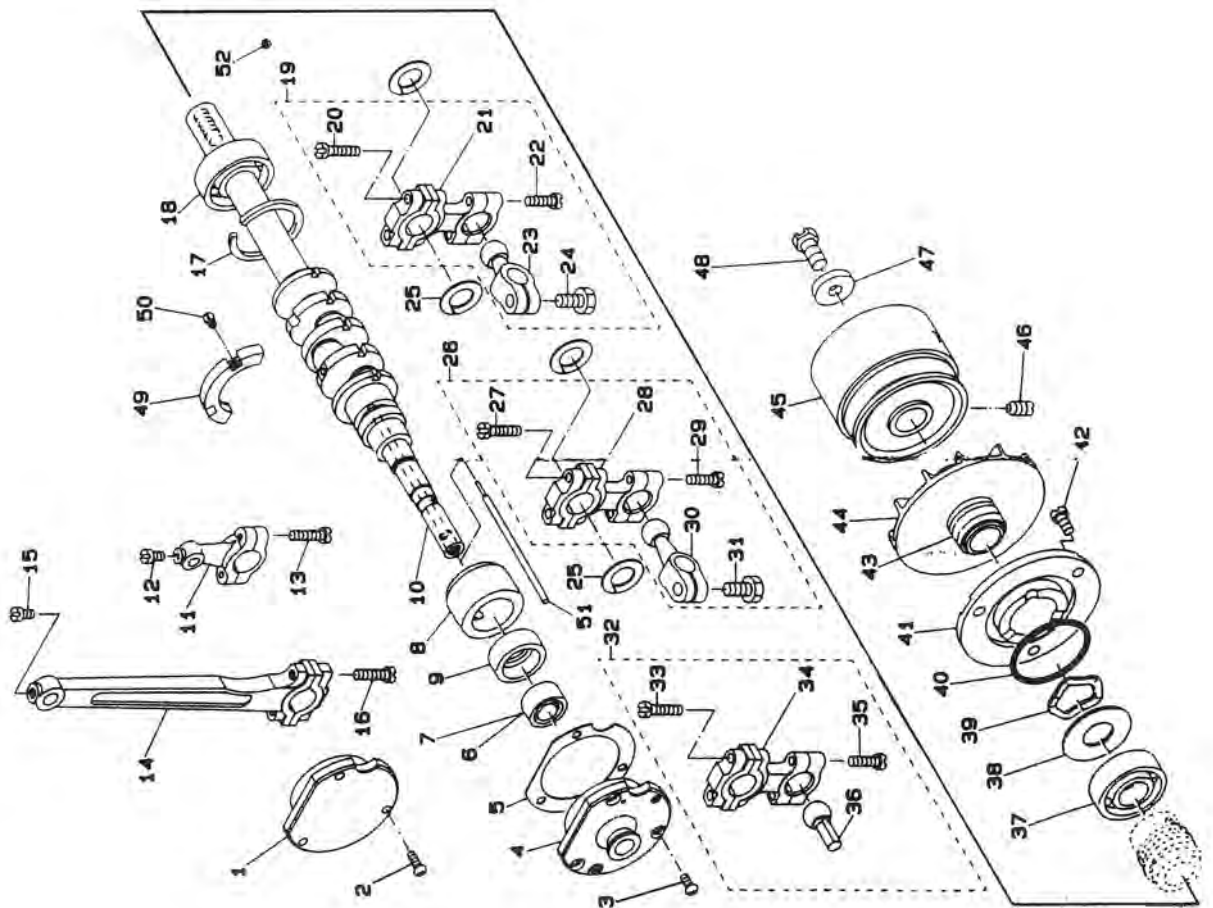
Note (注記) #01...FOR MO-3904,MO-3914
#02...FOR MO-3916

Note (注記) #01...FOR MO-3904,MO-3914
#02...FOR MO-3916
#03...FOR JHK(MO-3916)

4. NEEDLE DRIVING SHAFT COMPONENTS
針駆動軸関係



3. CRANKSHAFT COMPONENTS
主軸関係

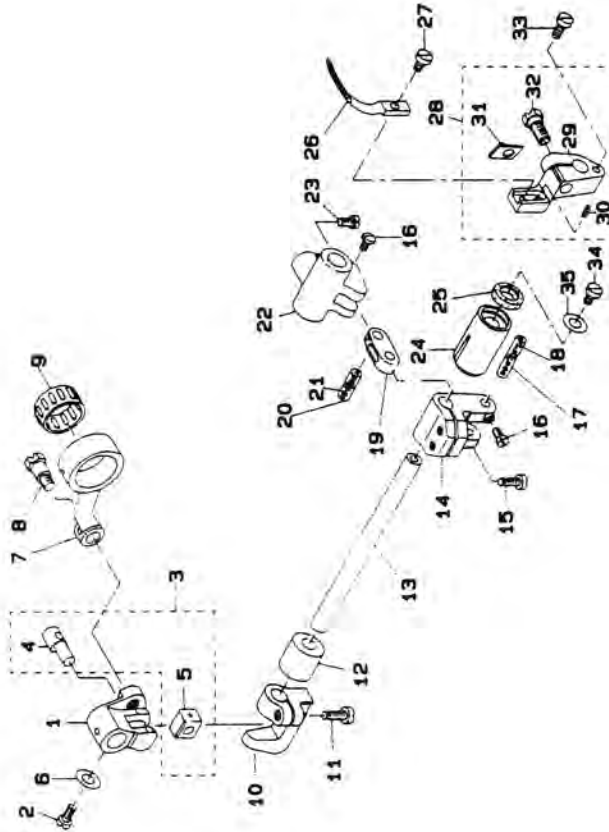


RICAMBI JUKI 3900

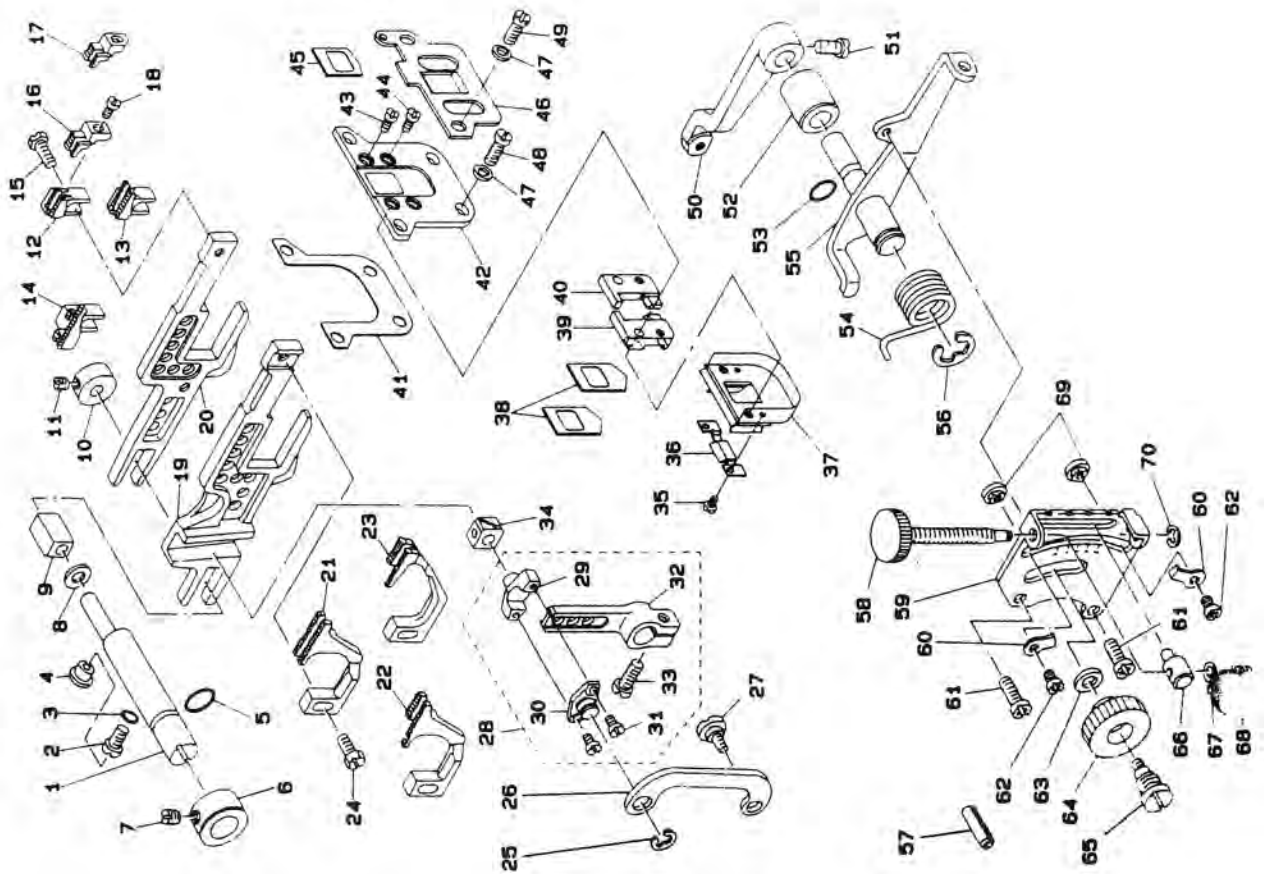
No	Part No	Part Name	QTY	Remarks
1	121-08205	CRANKSHAFT BUSHING D	1	
2	SS-4091015-SP	SCREW 9/64-40 L=10	3	
3	SS-4090715-SP	SCREW 9/64-40 L=7	3	
4	121-08304	CRANKSHAFT BUSHING D	1	
5	121-08403	GASKET	1	
6	B1215-804-000	BALL BEARING D	1	
7	SB-1100003-00	BALL BEARING	1	
8	121-08007	CRANKSHAFT BUSHING C	1	
9	116-50900	RUBBER CAP	1	
10	121-07108	CRANKSHAFT	1	
11	121-32106	KNIFE DRIVING ROD	1	
12	SS-7110840-SP	SCREW 11/64-40 L=7.8	1	
13	SS-7111810-TP	SCREW 11/64-40 L=18	2	
14	121-09104	CONNECTING ROD	1	
15	SS-7110840-SP	SCREW 11/64-40 L=7.8	1	
16	SS-7111810-TP	SCREW 11/64-40 L=18	2	
17	B1212-704-000	BEARING RETAINER	1	
18	B1211-804-000	BALL BEARING B	1	
19	121-22354	UPPER LOOPER ROD ASM.	1	
20	SS-7111810-TP	SCREW 11/64-40 L=18	(2)	
21	121-22107	LOOPER DRIVING ROD	(1)	
22	SS-7111410-TP	SCREW 11/64-40 L=14	(2)	
23	121-22305	UPPER LOOPER ARM	(1)	
24	SS-9151210-TP	SCREW 15/64-28 L=11.8	(1)	
25	121-22206	STOPPER	4	
26	121-23352	LOWER LOOPER ROD ASM., A	1	
27	SS-7111810-TP	SCREW 11/64-40 L=18	(2)	
28	121-22107	LOOPER DRIVING ROD	(1)	
29	SS-7111410-TP	SCREW 11/64-40 L=14	(2)	
30	121-23303	LOWER LOOPER ARM A	(1)	
31	SS-9151210-TP	SCREW 15/64-28 L=11.8	(1)	
32	121-20150	LOWER LOOPER ROD ASM., B	1	
33	SS-7111810-TP	SCREW 11/64-40 L=18	(2)	
34	121-22107	LOOPER DRIVING ROD	(1)	
35	SS-7111410-TP	SCREW 11/64-40 L=14	(2)	
36	121-20101	LOWER LOOPER ARM B	(1)	
37	B1211-804-000	BALL BEARING B	1	
38	115-10609	WASHER	1	
39	VZ-2640310-KH	WAVED WASHER 26.4X33.9X3.5	1	
40	RO-3473501-00	RUBBER RING	1	
41	121-07702	THRUST HOLDER	1	
42	SS-4120915-SP	SCREW 3/16-28 L=9	3	
43	121-07801	OIL SHIELD	1	
44	118-11601	COOLING FAN	1	
45	121-07603	FLYWHEEL	1	
46	SS-8151150-SP	SCREW 15/64-28 L=10.5	2	
47	WP-0723016-TP	WASHER	1	
48	SS-6683012-TP	SCREW	1	
49	121-07900	BALANCER	1	
50	SS-4080620-TP	SCREW 1/8-44 L=6	2	
51	121-08106	OIL ADJUSTING BAR	1	
52	SS-5080212-TP	SCREW 1/8-44 L=2	5	
Note (注記) #01...FOR MO-3904,MO-3914				
#02...FOR MO-3916				

1	SS-9151210-TP	SCREW 15/64-28 L=11.8	1	
2	121-08609	NEEDLE DRIVING LEVER	1	
3	SS-8090530-TP	SCREW 9/64-40 L= 5.0	2	
4	121-09302	NEEDLE DRIVING SHAFT	1	
5	121-09401	BUSHING, FRONT	1	
6	SS-8120410-SP	SCREW	1	
7	121-09500	BUSHING, REAR	1	
8	CS-1201010-SH	THRUST COLLAR ASM. D=12 W=10	2	
9	SS-8660610-TP	SCREW 1/4-40 L=6	(4)	
10	#01 118-23804	CRANK PIN C		
11	121-09203	NEEDLE DRIVING FORKED CRANK	1	
12	CO-2520000-00	OIL WICK	0.1	
13	121-09906	LINK PIN C	2	
14	121-10102	NEEDLE DRIVING LINK	1	
15	121-10250	NEEDLE HOLDER ASM.	1	
16	121-10201	NEEDLE HOLDER	(1)	
17	121-10300	NEEDLE HOLDER BUSHING	(1)	
18	RO-1082401-00	RUBBER RING	1	
19	SS-8110710-SP	SCREW	1	
20	#05 121-11209	NEEDLE THREAD GUIDE		
21	SS-4110515-SP	SCREW 11/64-40 L=5	1	
22	121-11308	THREAD GUIDE, 2-NEEDLE	1	
23	121-11407	THREAD GUIDE, CHAIN LOOPER	1	
24	121-11803	TAKE-UP LEVER GUIDE	1	
25	SS-4110515-SP	SCREW 11/64-40 L=5	1	
26	121-11902	TAKE-UP LEVER GUIDE, 2-NEEDLE	1	
27	121-12009	TAKE-UP LEVER GUIDE, CHAIN LOOP	1	
28	121-12108	NEEDLE THREAD GUIDE STAND	1	
29	SS-4110715-SP	SCREW 11/64-40 L=7	2	
30	SS-6080720-SP	SCREW	1	
31	121-10409	NEEDLE CLAMP HOLDER	1	
32	121-10607	NEEDLE THREAD PRESSER GUIDE, A	1	
33	121-10904	NEEDLE THREAD PRESSER PLATE	1	
34	121-10805	NEEDLE THREAD PRESSER SPRING	1	
35	SD-0280401-SL	HINGE SCREW D=2.8 H=4	1	
36	121-10706	NEEDLE THREAD PRESSER GUIDE, B	1	
37	121-11506	NEEDLE THREAD TAKE-UP LEVER	1	
38	SS-6090670-TP	SCREW 9/64-40 L=6	2	
39	121-11605	TAKE-UP LEVER, 2-NEEDLE	1	
40	121-11704	TAKE-UP LEVER, CHAIN LOOPER	1	
41	SS-8080310-TP	SCREW 1/8-44 L=2.8	1	
42	MDC-27081100	NEEDLE DCX27 #11	1	
43	SS-8080310-TP	SCREW 1/8-44 L=2.8	2	
44	MDC-27081100	NEEDLE DCX27 #11	2	
45	121-12207	COVER	1	
46	121-12306	FELT, A	1	
47	121-12405	FELT, B	1	
48	BT-0600402-EA	LUBRICATING PIPE	0.2	
49	TA-0951301-RO	OIL FELT	1	
50	MC-0336007-50	NEEDLE B-27 NM75	1	
51	121-48607	NEEDLE CLAMP	1	
52	121-48706	NEEDLE CLAMP, 2-NEEDLE	1	
53	121-49803	NEEDLE CLAMP, CHAIN LOOPER	1	
54	SS-9151210-TP	SCREW 15/64-28 L=11.8	1	
55	MC-0336007-50	NEEDLE B-27 NM75	2	

7. CHAIN LOOPER COMPONENTS (FOR M0-3916)
 二重環ルーパ関係 (M0-3916用)



6. FEED MECHANISM COMPONENTS (2)
 送り関係 (2)



RICAMBI JUKI 3900

1	118-24505	FEED BAR SHAFT	1
2	IS-7120910-SP	SCREW 3/16-28 L=9	1
3	40-0371801-00	RUBBER RING	1
4	TA-0800504-RO	PLUG D=8 L=4.5	1
5	RO-0781901-00	RUBBER RING	1
6	118-24604	THRUST COLLAR	1
7	SS-8660330-SP	SCREW 1/4-40 L= 3.0	1
8	115-29906	WASHER	1
9	B1624-704-000	SLIDE BLOCK	1
10	118-28001	COLLAR	1
11	SS-8110410-TP	SCREW 11/64-40 L= 3.5	1
12	118-82107	MAIN FEED DOG	1
13	#01		
14	#02		
15	#03		
16	118-82800	MAIN FEED DOG	1
17	SS-9111050-SP	SCREW 11/64-40 L=9.5	1
18	118-87106	AUXILIARY FEED DOG	1
19	118-87403	AUXILIARY FEED DOG	1
20	SS-4080610-SP	SCREW 1/8-44 L=6.4	1
21	121-17503	DIFFERENTIAL FEED BAR	1
22	121-17404	MAIN FEED BAR	1
23	118-87106	AUXILIARY FEED DOG	1
24	118-87403	AUXILIARY FEED DOG	1
25	SS-4080610-SP	SCREW 1/8-44 L=6.4	1
26	121-17503	DIFFERENTIAL FEED BAR	1
27	121-17404	MAIN FEED BAR	1
28	118-87106	AUXILIARY FEED DOG	1
29	118-87403	AUXILIARY FEED DOG	1
30	SS-4080610-SP	SCREW 1/8-44 L=6.4	1
31	121-17503	DIFFERENTIAL FEED BAR	1
32	121-17404	MAIN FEED BAR	1
33	118-87106	AUXILIARY FEED DOG	1
34	118-87403	AUXILIARY FEED DOG	1
35	SS-4080610-SP	SCREW 1/8-44 L=6.4	1
36	121-17503	DIFFERENTIAL FEED BAR	1
37	121-17404	MAIN FEED BAR	1
38	118-87106	AUXILIARY FEED DOG	1
39	118-87403	AUXILIARY FEED DOG	1
40	SS-4080610-SP	SCREW 1/8-44 L=6.4	1
41	121-17503	DIFFERENTIAL FEED BAR	1
42	121-17404	MAIN FEED BAR	1
43	118-87106	AUXILIARY FEED DOG	1
44	118-87403	AUXILIARY FEED DOG	1
45	SS-4080610-SP	SCREW 1/8-44 L=6.4	1
46	121-17503	DIFFERENTIAL FEED BAR	1
47	121-17404	MAIN FEED BAR	1
48	118-87106	AUXILIARY FEED DOG	1
49	118-87403	AUXILIARY FEED DOG	1
50	SS-4080610-SP	SCREW 1/8-44 L=6.4	1
51	121-17503	DIFFERENTIAL FEED BAR	1
52	121-17404	MAIN FEED BAR	1
53	118-87106	AUXILIARY FEED DOG	1
54	118-87403	AUXILIARY FEED DOG	1
55	SS-4080610-SP	SCREW 1/8-44 L=6.4	1
56	121-17503	DIFFERENTIAL FEED BAR	1
57	121-17404	MAIN FEED BAR	1
58	118-87106	AUXILIARY FEED DOG	1
59	118-87403	AUXILIARY FEED DOG	1
60	SS-4080610-SP	SCREW 1/8-44 L=6.4	1

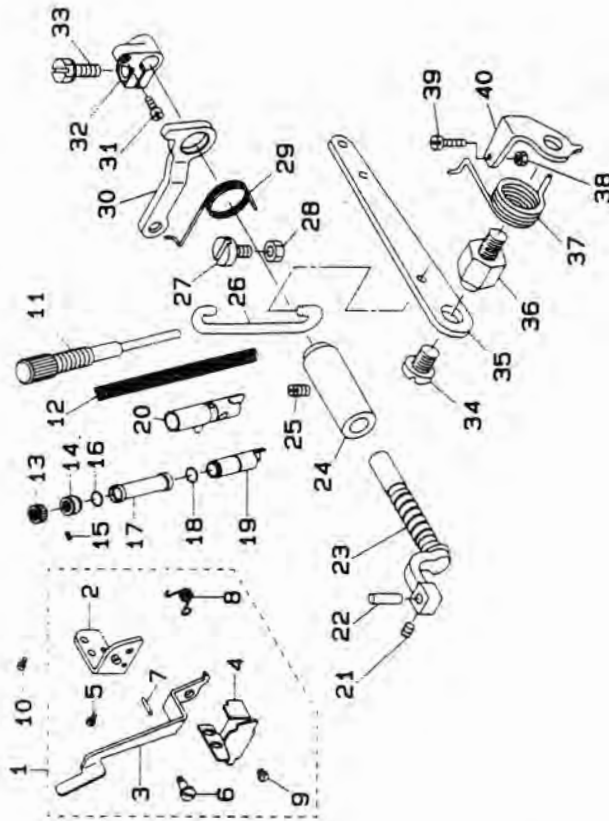
1	121-20200	CHAIN LOOPER SHAFT SLIDE ARM	1
2	SS-7111120-TP	SCREW	1
3	121-20358	CHAIN LOOPER SHAFT SLIDE PIN ASM.	1
4	121-20309	CHAIN LOOPER SHAFT SLIDE PIN	(1)
5	B2105-816-000	CHAIN LOOPER SHAFT SLIDE BLOCK	(1)
6	WP-0450840-SP	WASHER	1
7	B2102-816-000-A	CHAIN LOOPER ROD (22MM)	1
8	SD-0720803-TH	STEP-SCREW D=7.24 H=8	1
9	#01	BEARING B	1
10	121-20408	BRACKET	1
11	SS-6121220-TP	SCREW 3/16-28 L=11.5	1
12	B2111-716-000	BUSHING, REAR	1
13	121-20507	CHAIN LOOPER SHAFT	1
14	115-39004	CHAIN LOOPER SHAFT DRIVING ARM	1
15	SS-6121220-TP	SCREW 3/16-28 L=11.5	2
16	SS-4080610-SP	SCREW 1/8-44 L=6.4	2
17	#01	PIN (LONG) (C)	0.1
18	CO-2020000-00	OIL WICK	0.1
19	B2113-816-000	DRIVING LINK	1
20	#01	PIN (SHORT) C (0.004-0.002)	1
21	CQ-2020000-00	OIL WICK	0.1
22	B2115-816-000	DRIVING BALL ARM BRACKET	1
23	SS-6110710-TP	SCREW 11/64-40 L= 6.5	3
24	B2110-816-000-B	BUSHING, FRONT	1
25	B2525-352-000	OIL SEAL RING	1
26	121-20705	CHAIN LOOPER	1
27	SS-6090620-TP	SCREW	1
28	121-20655	CHAIN LOOPER DRIVING ARM ASM.	1
29	121-20606	CHAIN LOOPER DRIVING ARM	(1)
30	PS-0200062-KH	SPRING PIN 2X6	(1)
31	B2531-704-000	WASHER	(1)
32	SS-9151210-TP	SCREW 15/64-28 L=11.8	(1)
33	SS-6090920-SP	SCREW	1
34	SD-0720332-SP	HINGE SCREW D= 7.24 H= 3.3	1
35	WP-0612066-SP	WASHER 6.1X11X2	1

Note (注記) #01...SELECTING PART FOR FIT TOLERANCE

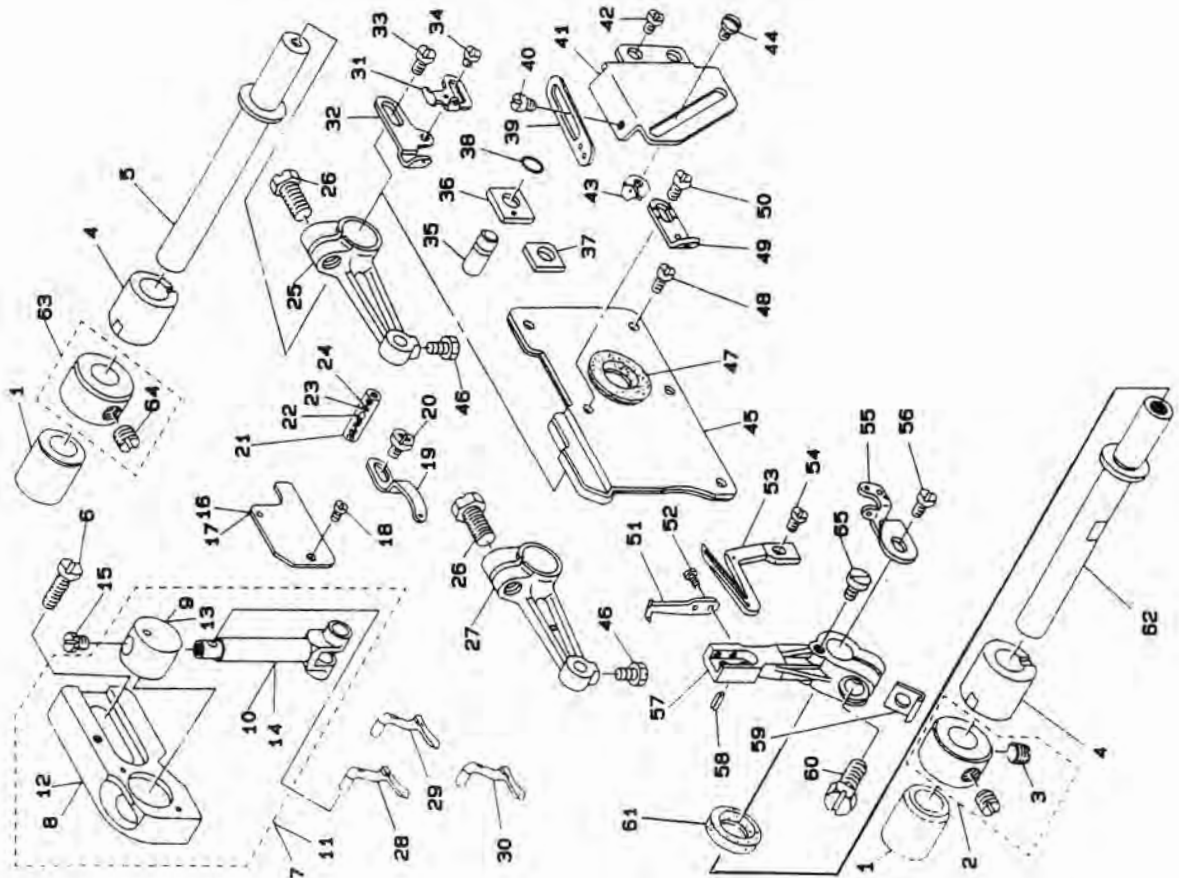
61	SS-4121215-SP	SCREW 3/16-28 L=12	2
62	SS-4090515-SP	SCREW 9/64-40 L=5	2
63	WP-0621016-SD	WASHER 6.2X13X1	1
64	B1647-704-000-A	DIFFERENTIAL FEED LOCK NUT	1
65	B1646-704-000-A	DIFFERENTIAL FEED HINGE SCREW	1
66	118-26005	DIFFERENTIAL FEED BLOCK	1
67	WP-0460556-SD	WASHER 4.6X7.5X0.5	1
68	118-26203	SPRING	1
69	115-29005	STOPPER	2
70	RE-0300000-K0	E-SHAPED SNAP RING (3MM)	1

Note (注記) #01...FOR MO-3904
 #02...FOR MO-3914
 #03...FOR MO-3916
 #04...FOR MO-3904, MO-3914

9. PRESSER FOOT COMPONENTS(1)
 押え関係 (1)



8. UPPER & LOWER LOOPER COMPONENTS
 上ルーパー、下ルーパー関係

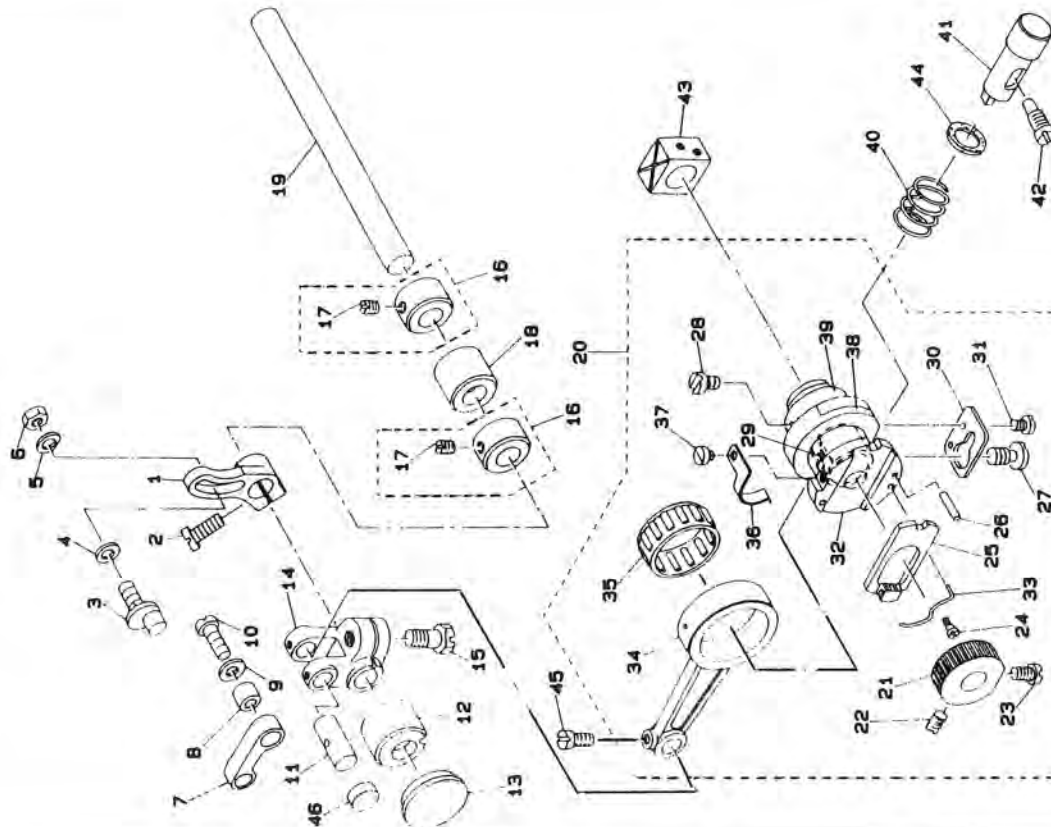


RICAMBI JUKI 3900

1	#06	121-22602	BUSHING, REAR	2	121-15051	FOOT LIFTING LEVER STAND ASM.	1
2		CS-103121A-SH	COLLAR ASM. D=10.32 V=12	2	121-15002	FOOT LIFTING LEVER STAND ASM.	(1)
3		SS-8660530-TP	SCREW 1/4-40 L=4.5	3	121-15101	ESSER FOOT LIFTING LE	(1)
4		121-22503	BUSHING, FRONT	2	121-15200	STOPPER	(1)
5		121-22404	UPPER LOOPER SHAFT	1	SS-7110510-SP	SCREW 11/64-40 L=5	(2)
6		SS-7151340-TP	SCREW 15/64-28 L=12.5	2	SD-0040241-SP	HINGE SCREW D= 6.35 H= 2.4	(1)
7	#01	121-23055	UPPER LOOPER GUIDE ASM.	1	PS-0300142-KH	SPRING PIN 0.3 X 14	(1)
8		121-23006	UPPER LOOPER GUIDE SUPPORT	(1)	121-15309	SPRING	(1)
9		121-23204	UPPER LOOPER GUIDE	(1)	SS-6080340-SP	SCREW 1/8-44 L=3.0	(1)
10		121-22809	UPPER LOOPER HOLDER	(1)	SS-4110715-SP	SCREW 11/64-40 L=7	2
11	#02	121-23154	UPPER LOOPER GUIDE ASM., B	1	121-14708	PRESSER REGULATOR SCREW	1
12		121-23105	UPPER LOOPER GUIDE SUPPORT B	(1)	81515-804-00B	PRESSER SPRING	1
13		121-23204	UPPER LOOPER GUIDE	(1)	121-14807	PRESSER REGULATOR NUT	1
14		121-22909	UPPER LOOPER HOLDER	(1)	121-14609	PRESSER REGULATOR SCREW WASHER	1
15		SS-9090410-TP	SCREW	(1)	SS-8110410-TP	SCREW 11/64-40 L= 3.5	1
16	#01	118-33704	UPPER LOOPER GUIDE COVER	1	RO-1100901-00	RUBBER RING	1
17	#02	82515-704-00B	UPPER LOOPER GUIDE COVER B	1	121-14906	PRESSER BAR COVER	1
18		SS-7060810-SP	SCREW 3/32-56 L= 5.5	2	RO-1100901-00	RUBBER RING	2
19		118-33308	LOOPER THREAD GUIDE, UPPER	1	121-14302	PRESSER BAR BUSHING	1
20		SS-4090615-SP	SCREW 9/64-40 L=6	1	121-14450	PRESSER BAR ASM.	1
21	#03	119-17000	PIN C	1	SS-8110520-TP	SCREW 11/64-40 L= 4.5	1
22		118-31708	OIL WICK STOPPER BALL	1	121-14203	PRESSER FOOT ARM HINGE SHAFT	1
23		CQ-2020000-00	OIL WICK	0.1	121-13601	PRESSER FOOT SHAFT	1
24		CQ-2000000-00	OIL WICK	0.1	121-13700	BUSHING	1
25	#01	121-22701	UPPER LOOPER ARM A	1	SS-4121215-SP	SCREW 3/16-28 L=12	1
26		SS-9151210-TP	SCREW 15/64-28 L=11.8	1	118-19414	LIFTING HOOK	1
27	#02	121-22800	UPPER LOOPER ARM B	1	SS-6151210-SP	SCREW 15/64-28 L=12	1
28	#02	121-76004	UPPER LOOPER	1	MS-6150310-SP	NUT 15/64-28	1
29	#04	118-88104	UPPER LOOPER	1	118-19703	PRESSER FOOT ARM SPRING	1
30	#05	118-99208	UPPER LOOPER	1	121-13908	LIFTING ARM	1
31		118-33506	LOOPER LOOPER THREAD TAKE-UP	1	81536-804-000	PIN	1
32		121-24004	UPPER LOOPER THREAD TAKE-UP, R	1	121-13809	PRESSER FOOT SHAFT THRUST	1
33		SS-7110840-SP	SCREW 11/64-40 L=7.8	1	SS-9151210-TP	SCREW 15/64-28 L=11.8	1
34		SS-6080410-SP	SCREW 1/8-44 L=4	1	SS-7161040-SP	SCREW 1/4-24 L= 9.5	1
35		118-31806	PIN	1	118-19307	LIFTING LEVER	1
36	#06	118-31807	GAUGE	1	118-19109	LIFTING LEVER SCREW	1
37	#07	119-91809	GAUGE	1	118-19208	LIFTING LEVER SPRING	1
38		RO-0371801-00	RUBBER RING	1	MS-6110420-SP	NUT 11/64-40	1
39		121-23907	UPPER LOOPER THREAD GUIDE, R	1	SS-7111410-SP	SCREW 11/64-40 L=14	1
40		SS-3090610-SP	SCREW 9/64-40 L=6	1	81529-804-000	PRESSER FOOT LIFTING LEVER STO	1
41		121-23808	LOOPER THREAD TAKE-UP COVER	1			
42		SS-4110715-SP	SCREW 11/64-40 L=7	2			
43		118-33407	LOVER LOOPER THREAD GUIDE	1			
44		SS-3090610-SP	SCREW 9/64-40 L=6	1			
45		121-23858	OIL SHIELD PLATE ASM.	1			
46		SS-9090610-TP	SCREW 9/64-40 L=5.5	1	82508-704-000	OIL SEAL	1
47		82530-704-000	UPPER LOOPER SHAFT RUBBER RING	1	121-23402	LOWER LOOPER SHAFT	1
48		SS-6090630-SP	SCREW 9/64-40 L=6	4	CS-103121A-SH	COLLAR ASM. D=10.32 V=12	1
49		121-24202	UPPER LOOPER THREAD GUIDE	1	SS-8660530-TP	SCREW 1/4-40 L= 4.5	(2)
50		SS-7090850-SP	SCREW 9/64-40 L=8	1	SS-6090630-TP	SCREW 9/64-40 L=6	1
51		118-90001	TRAVELING NEEDLE GUARD	1			
52		SS-6060440-TP	SCREW 3/32-56 L=3.5	2			
53		119-98307	LOVER LOOPER	1			
54		SS-6090620-TP	SCREW	1			
55		121-24103	LOOPER THREAD TAKE-UP, LEFT	1			
56		SS-7110840-SP	SCREW 11/64-40 L=7.8	1			
57		121-23501	LOVER LOOPER SUPPORT SHAFT	1			
58		PS-0300062-KH	SPRING PIN 3X6	1			
59		82531-704-000	WASHER	1			
60		SS-9151210-TP	SCREW 15/64-28 L=11.8	1			
61					82508-704-000	OIL SEAL	1
62					121-23402	LOWER LOOPER SHAFT	1
63	#07				CS-103121A-SH	COLLAR ASM. D=10.32 V=12	1
64					SS-8660530-TP	SCREW 1/4-40 L= 4.5	(2)
65					SS-6090630-TP	SCREW 9/64-40 L=6	1

Note (注記) #01...FOR MO-3904,MO-3916
 #02...FOR MO-3914
 #03...SELECTING PART FOR FIT TOLERANCE
 #04...FOR MO-3904,MO-3916
 (NEEDLE #9,#11,#14)
 #05...FOR MO-3904,MO-3916
 (NEEDLE #14,#16,#18)
 #06...FOR MO-3904,MO-3914
 #07...FOR MO-3916

5. FEED MECHANISM COMPONENTS(1) 送り関係 (1)

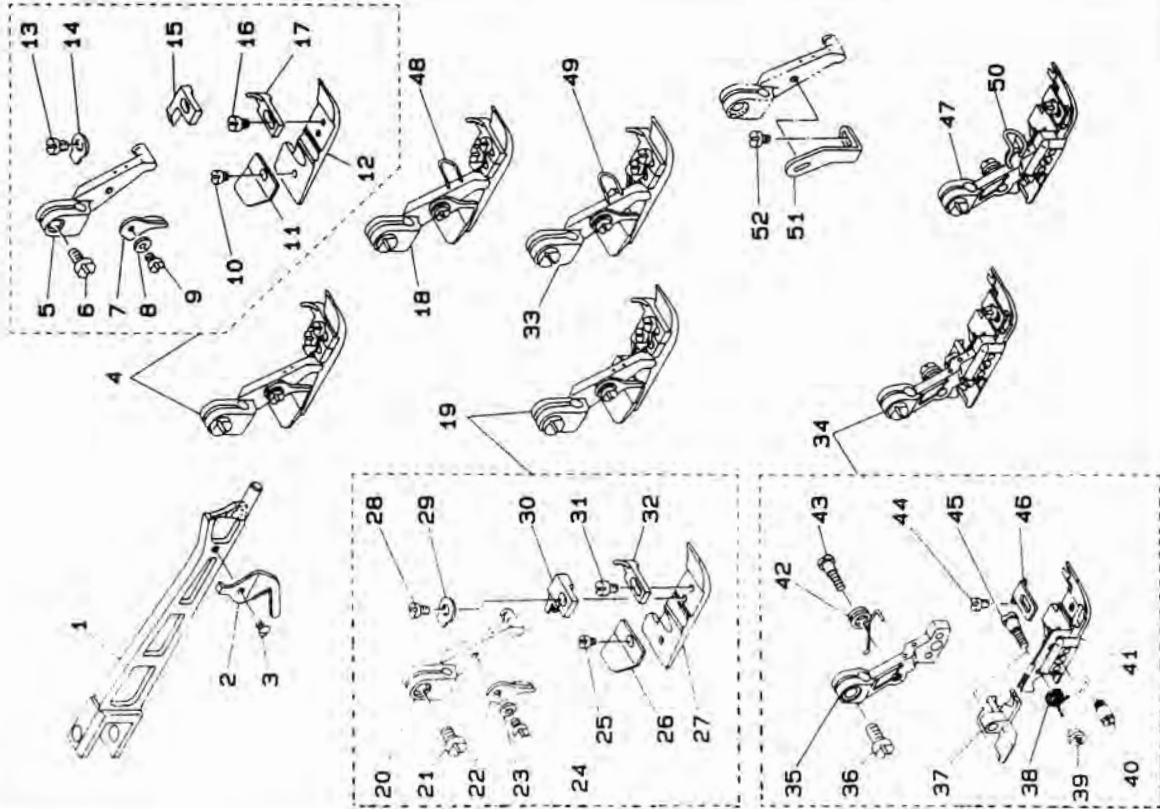


1	115-30102	MAIN FEED ROCKER	1
2	SS-6121220-TP	SCREW 3/16-28 L=11.9	1
3	118-24000	PIN	1
4	119-48502	WASHER	1
5	119-48601	WASHER B	1
6	NS-0620320-SP	NUT 3/16-32	1
7	118-24109	MAIN FEED LINK	1
8	B1620-804-000	COLLAR	1
9	B2107-816-000	WASHER	1
10	SS-6121220-TP	SCREW 3/16-28 L=11.5	1
11	#01	CRANK PIN C	1
12	121-17206	FEED ROCKER SHAFT BUSHING, FRO	1
13	TA-2050418-R0	RUBBER PLUG	1
14	B1611-804-000	FORKED CRANK	1
15	SS-9151210-TP	SCREW 15/64-28 L=11.8	1
16	CS-095081A-SH	THRUST COLLAR ASH. D=9.53 V=8	2
17	SS-8110410-TP	SCREW 11/64-40 L= 3.5	(4)
18	121-17305	FEED ROCKER SHAFT BUSHING, REA	1
19	121-18907	ROCKER SHAFT	1
20	121-16166	FEED ECCENTRIC BODY ASM.	1
21	B1605-704-000	RATCHET GEAR	(1)
22	SS-8110750-SP	SCREW 11/64-40 L= 6.5	(1)
23	SS-8110710-TP	SCREW 11/64-40 L= 6.5	(1)
24	SD-0260271-SP	HINGE SCREW D= 2.80 H= 2.7	(1)
25	B1604-704-000	RATCHET PAWL	(1)
26	PS-0300132-KH	SPRING PIN 3X13	(2)
27	118-28209	SCREW 1/4-40 L=7.5	(1)
28	SS-7110810-SP	SCREW 11/64-40 L= 8.0	(2)
29	121-16307	FEED CAM BLOCK	(1)
30	118-28100	FEED CAM FIXING PLATE	(1)
31	SS-6060340-SP	SCREW 3/32-56 L= 2.5	(2)
32	121-16406	FEED ADJUSTING CAM	(1)
33	B1606-704-000	RATCHET PAWL SPRING	(1)
34	121-16505	CRANK ROD	(1)
35	#01	NEEDLE BEARING B	(1)
36	121-17107	RATCHET GEAR SPRING	(1)
37	SS-6080320-SP	SCREW 1/8-44 L= 2.5	(1)
38	121-16208	FEED CAM	(1)
39	121-16108	FEED ECCENTRIC BODY	(1)
40	B1652-704-000	SPRING	1
41	121-18501	PUSH BOTTON STUD	1
42	SS-7151550-SP	SCREW 15/64-28 L=14.5	1
43	118-24406	SLIDE BLOCK	1
44	121-18600	OIL SHEET	1
45	SS-7110910-TP	SCREW 11/64-40 L= 8.5	1
46	TA-1030402-R0	RUBBER PLUG D=10.3 L=4	1

Note (注記) #01...SELECTING PART FOR FIT TOLERANCE

Note (注記) #01...SELECTING PART FOR FIT TOLERANCE
 #02...FOR MO-3904
 #03...FOR MO-3914
 #04...FOR MO-3916
 #05...FOR MO-3904, MO-3916
 #06...FOR MO-3904, MO-3914
 #07...FOR MO-3914, MO-3916
 #08...FOR JE (MO-3904)
 #09...FOR JE (MO-3914, MO-3916)

10. PRESSER FOOT COMPONENTS(2)
押え関係 (2)



1	121-14005	PRESSER FOOT ARM	1
2	B1528-804-000-A	THREAD TRIMMER	1
3	SS-6060440-TP	SCREW 3/32-56 L=3.5	1
4	#01	PRESSER FOOT ASM.	1
5	118-76158	PRESSER FOOT HINGE	(1)
6	SS-6090650-SP	SCREW 9/64-40 L=6	(1)
7	B1530-804-000	STOPPER	(1)
8	VP-0250516-SD	WASHER 2.5X6X0.5	(1)
9	SS-7060610-SP	SCREW 3/32-56 L= 5.5	(1)
10	SS-6060210-SP	SCREW 3/32-56 L= 1.9	(1)
11	B1511-814-000	REAR PRESSER FOOT	(1)
12	B1507-804-C00	PRESSER FOOT	(1)
13	SS-7080520-SP	SCREW 1/8-44 L=4.9	(1)
14	B1508-804-008	SPRING	(1)
15	B1508-804-E00	STITCH TONGUE	(1)
16	SS-6060440-TP	SCREW 3/32-56 L=3.5	(1)
17	B1510-814-000	CURL GUARD	(1)
18	#02	PRESSER FOOT ASM.	1
19	#03	PRESSER FOOT ASM.	1
20	118-72009	PRESSER FOOT HINGE	(1)
21	SS-6090650-SP	SCREW 9/64-40 L=6	(1)
22	B1530-804-000	STOPPER	(1)
23	VP-0250516-SD	WASHER 2.5X6X0.5	(1)
24	SS-7060610-SP	SCREW 3/32-56 L= 5.5	(1)
25	SS-6060210-SP	SCREW 3/32-56 L= 1.9	(1)
26	B1511-814-000	REAR PRESSER FOOT	(1)
27	B1507-814-00P	PRESSER FOOT	(1)
28	SS-7080520-SP	SCREW 1/8-44 L=4.9	(1)
29	B1508-804-008	SPRING	(1)
30	121-60008	STITCH TONGUE	(1)
31	SS-6060440-TP	SCREW 3/32-56 L=3.5	(1)
32	B1510-814-000	CURL GUARD	(1)
33	#04	PRESSER FOOT ASM.	1
34	#05	PRESSER FOOT ASM.	1
35	121-50907	PRESSER FOOT HINGE	(1)
36	SS-6090650-SP	SCREW 9/64-40 L=6	(1)
37	121-64802	REAR PRESSER FOOT	(1)
38	121-67805	SPRING, FOR REAR PRESSER FOOT	(1)
39	B1513-816-000	NUT, FOR REAR PRESSER FOOT	(1)
40	121-67409	HINGE PIN	(1)
41	121-62202	PRESSER FOOT	(1)
42	121-67607	PRESSER FOOT ARM SPRING	(1)
43	121-67508	HINGE SCREW	(1)
44	SS-6060340-SP	SCREW 3/32-56 L= 2.5	(1)
45	B1514-816-000	SCREW	(1)
46	121-67706	PRESSER FOOT	(1)
47	#06	PRESSER FOOT ASM.	1
48	#02	FINGER GUARD	1
49	#04	FINGER GUARD	1
50	#06	FINGER GUARD	1
51	B1539-804-000	PRESSER FOOT FIXING PLATE	1
52	#07	SS-6060410-TP	SCREW 3/32-56 L= 3.5

Note (注記) #01...FOR MO-3904(FOR DOMESTIC USE)
 #02...FOR MO-3904(FOR EXPORT)
 #03...FOR MO-3914(FOR DOMESTIC USE)
 #04...FOR MO-3914(FOR EXPORT)
 #05...FOR MO-3916(FOR DOMESTIC USE)
 #06...FOR MO-3916(FOR EXPORT)
 #07...SPECIAL ORDER PART(FOR MO-3904,
 MO-3914)



1-Needle, Overgiging Industrial Sewing Machine

MO-6704S-0E4

2-Needle, Overgiging Industrial Sewing Machine

MO-6714S-BE6

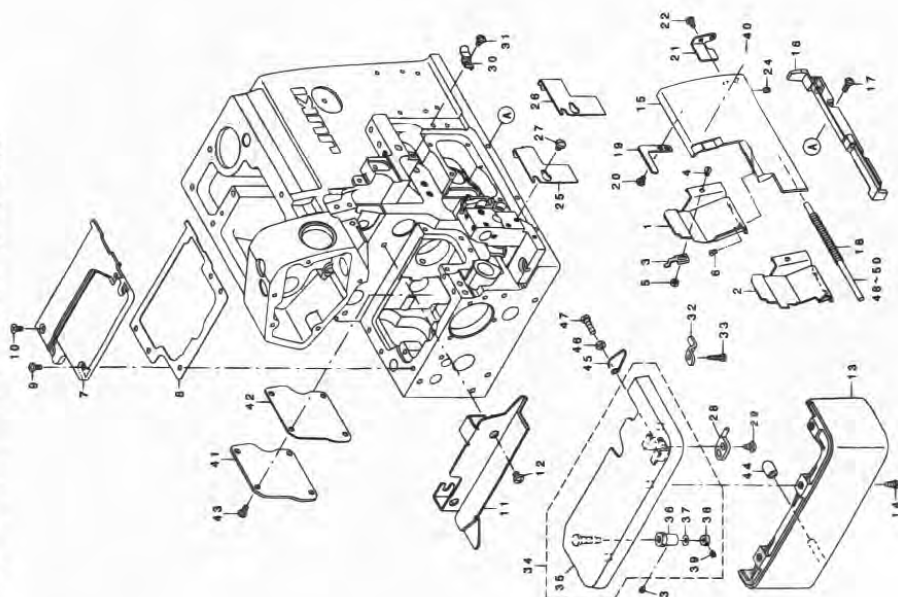
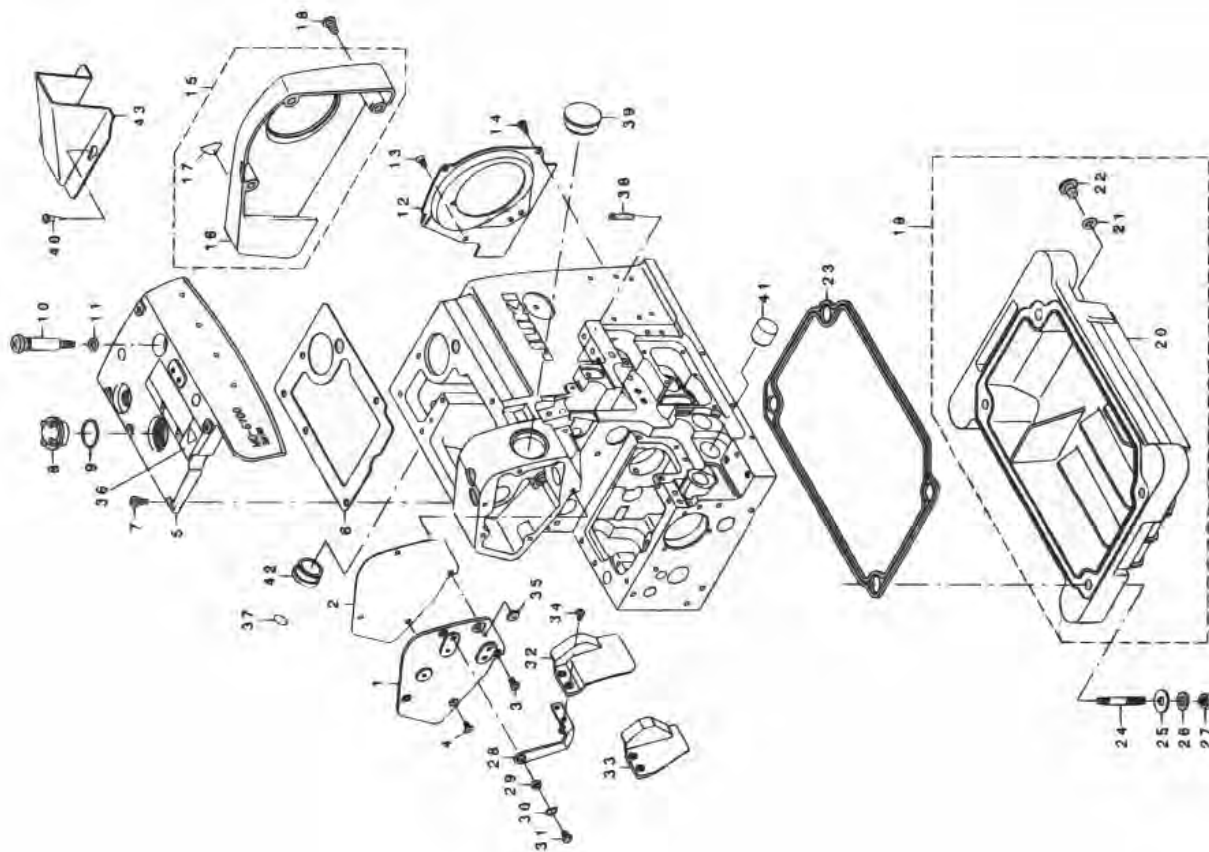
Safety Stitch Industrial Sewing Machine

MO-6716S-DE4

PARTS LIST

29352408
No.1326-00

1. MISCELLANEOUS COVER COMPONENTS (1)



RICAMBI JUKI 6700

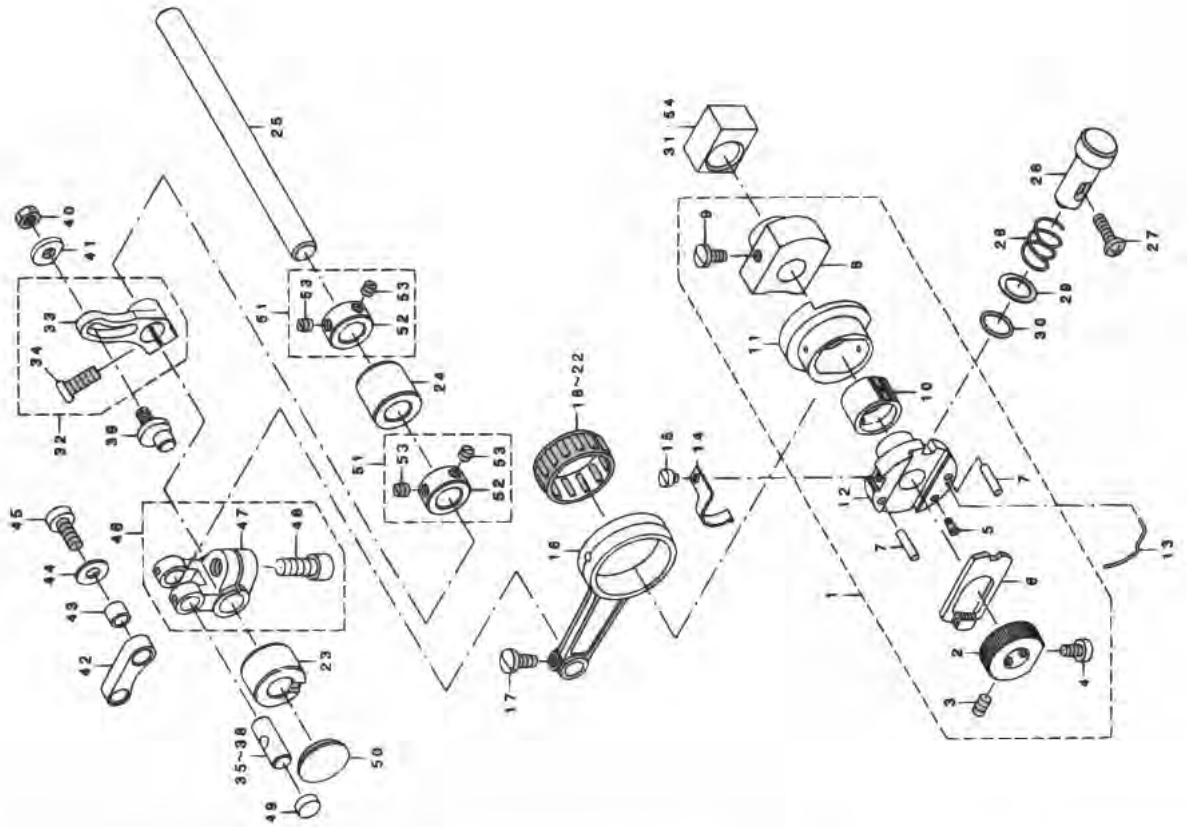
REF. NO	NOTE	PART NO.	DESCRIPTION	QTY
1	#01	122-56707	CLOTH WASTE COVER	1
2	#02	121-47807	CLOTH WASTE COVER	1
3		131-02405	CROTH WASTE COVER STOPPER	1
4		SS-2090520-5L	SCREW 9/84-40 L=5	1
5		MS-0980310-SM	NUT 9/84-40	1
6		SS-3090610-SP	SCREW 9/84-40 L=6	2
7		132-06704	FEED MECHANISM COVER	1
8		132-06803	FEED MECHANISM COVER GASKET	1
9		SM-4040855-SP	SCREW	4
10		SM-1040801-SC	SCREW M4X0.7 L=8	1
11		123-42101	CLOTH BASE SIDE COVER	1
12		SS-4120815-SP	SCREW 3/16-28 L=6	2
13		131-03809	CLOTH BASE COVER	1
14		SS-4061015-SP	SCREW 9/84-40 L=10	2
15		131-00804	LOOPER COVER	1
16		131-00805	LOOPER COVER BRACKET	1
17		SM-4041055-SP	SCREW M4 L=10	3
18		131-01209	LOOPER COVER SPRING	1
19		131-01407	LOOPER COVER PRESSER PLATE	1
20		SS-7090530-SP	SCREW 9/84-40 L=4.5	1
21		131-01001	LOOPER COVER GUIDE PLATE	1
22		SS-7090610-SP	SCREW 9/84-40 L=6	1
23		SS-8110410-TP	SCREW 11/84-40 L=3.5	1
24		SS-8110410-TP	SCREW 11/84-40 L=3.5	1
25	#01	131-01500	CLOTH WASTE COVER, LEFT	1
26	#02	131-01005	CLOTH WASTE COVER, LEFT	1
27		SS-7110510-SP	SCREW 11/84-40 L=5	2
28		121-03305	CLOTH BASE SWITCH-TYPE STOPPER	1
29		SS-7110710-SP	SCREW 11/84-40 L=7	2
30		131-01308	LOOPER COVER PRESSER SPRING	1
31		SM-4040855-SP	SCREW M4 L=6	1
32		131-01803	CROTH BASE SUPPORT PLATE	1
33		SS-7091410-SP	SCREW 9/84-40 L=13.5	1
34		121-05350	CLOTH BASE ASM.	1
35		121-02752	CLOTH BASE ASM.	(1)
36		115-01301	ECCENTRIC BUSHING	(1)
37		WZ-0420350-KP	DISC SPRING	(1)
38		CS-0400871-SD	THRUST HOLDER	(1)
39		SM-8040302-TP	SETSCREW	(1)
40		CM-3002000-01	ATTENTION SEAL	1
41		132-01504	ADJUSTING HOLE COVER	1
42		132-01603	ADJUSTING HOLE COVER GASKET	1
43		SM-4040855-SP	SCREW	4
44		131-04302	CLOTH BASE COVER RUBBER PLUG	1
45		131-02207	CLOTH BASE SWITCH-TYPE SPRING	1
46		MS-6110420-SP	NUT 11/84-40	1
47		SS-6111440-SP	SCREW 11/84-40 L=14.0	1
48	#03	132-40007	LOOPER COVER HINGE SHAFT A	1
49	#03	132-40106	LOOPER COVER HINGE SHAFT B	1
50	#03	132-40205	LOOPER COVER HINGE SHAFT C	1

Note #01.....FOR M0-6704S,M0-6714S
 #02.....FOR M0-6716S
 #03.....SELECTIVE PARTS

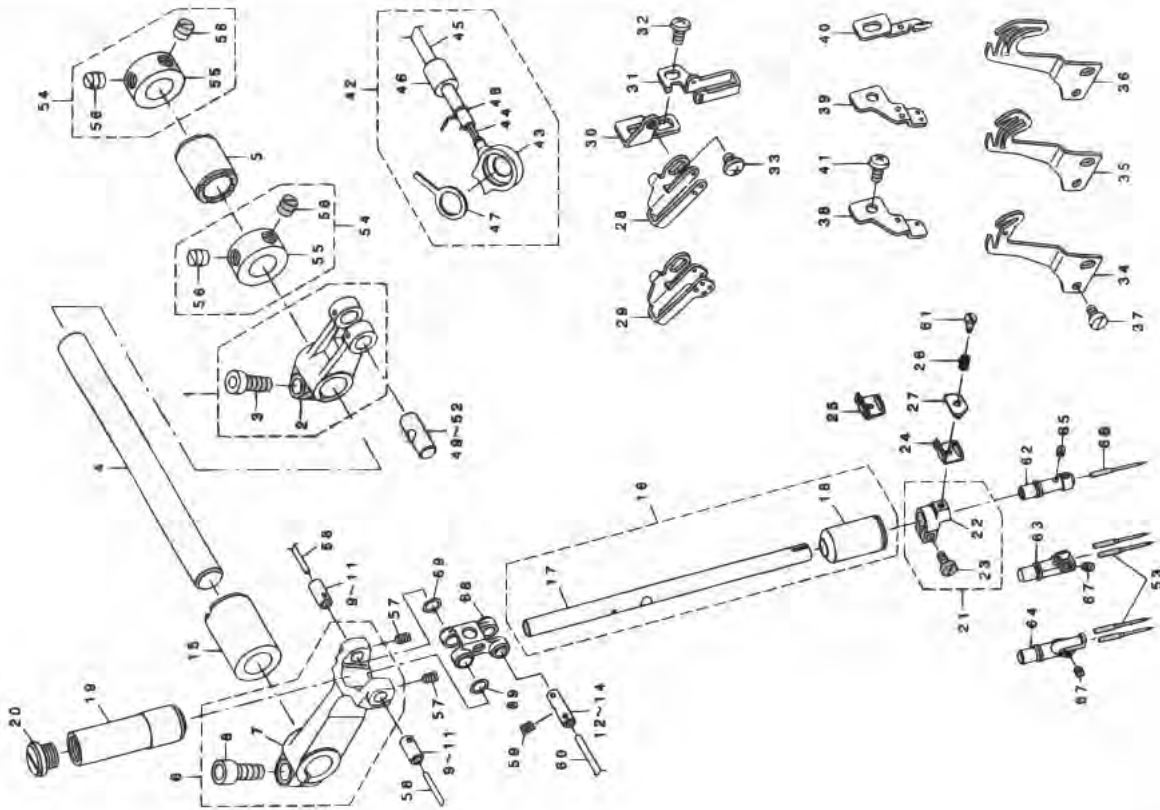
REF. NO	NOTE	PART NO.	DESCRIPTION	QTY
1		132-00209	SIDE COVER	1
2		132-00308	SIDE COVER GASKET	1
3		SM-4040855-SP	SCREW	1
4		SM-1040801-SC	SCREW M4X0.7 L=8	1
5		132-00506	UPPER COVER	1
6		132-00005	UPPER COVER GASKET	1
7		SM-4051255-SP	SCREW M5 L=12.	1
8		229-24708	OIL SIGHT WINDOW	1
9		131-70006	RUBBER RING	1
10		131-04500	OIL DRAIN SCREW	1
11		131-70204	RUBBER RING	1
12		132-01009	COOLING FAN PLATE	1
13		SM-1040801-SC	SCREW M4X0.7 L=8	1
14		SM-4040855-SP	SCREW	1
15		132-01454	BELT COVER ASM.	1
16		132-01405	BELT COVER	1
17		CM-3002000-A1	CAUTION LABEL(16)	1
18		SS-4151215-SP	SCREW 15/84-28 L=12	1
19		131-02553	OIL RESERVOIR ASM.	1
20		131-02504	OIL RESERVOIR	1
21		131-70105	RUBBER RING	1
22		131-71004	DRAIN SCREW	1
23		131-02803	OIL RESERVOIR GASKET	1
24		131-03908	SCREW STUD	1
25		WZ-0751578-SD	WASHER 7.5X19X1.5	1
26		MS-0622010-KP	SPRING WASHER 8.2X15X2	1
27		MS-0680410-SP	NUT 9/32-28	1
28		132-01108	SAFETY PLATE BRACKET	1
29		131-04807	SAFETY PLATE BRACKET COLLAR	1
30		WZ-0850302-K0	WAVED WASHER 8.5X12.5X0.3	1
31		SS-5110710-SP	SCREW 11/84-40 L=7	1
32	#02	132-01306	SAFETY PLATE	1
33	#01	132-01207	SAFETY PLATE	1
34		SS-7090611-SL	SCREW 9/84-40 L=0.1	1
35		132-04003	SAFETY PLATE BUSH	1
36		CM-3002001-B1	SAFETY LABEL 12	1
37		229-01805	GROUND MARK	1
38		131-02900	THREAD GUIDE, LARGE	1
39		107-53309	WINDOW PLATE RUBBER PLUG	1
40		SK-3412001-SE	WOOD SCREW D=4.1 L=20	1
41	#01	TA-1671802-K0	RUBBER PLUG	1
42		TA-2090805-R0	RUBBER PLUG	1
43		131-60700	BELT COVER (B)	1

Note #01.....FOR M0-6704S,M0-6714S
 #02.....FOR M0-6716S

5. FEED MECHANISM COMPONENTS (1)



4. NEEDLE DRIVING SHAFT COMPONENTS



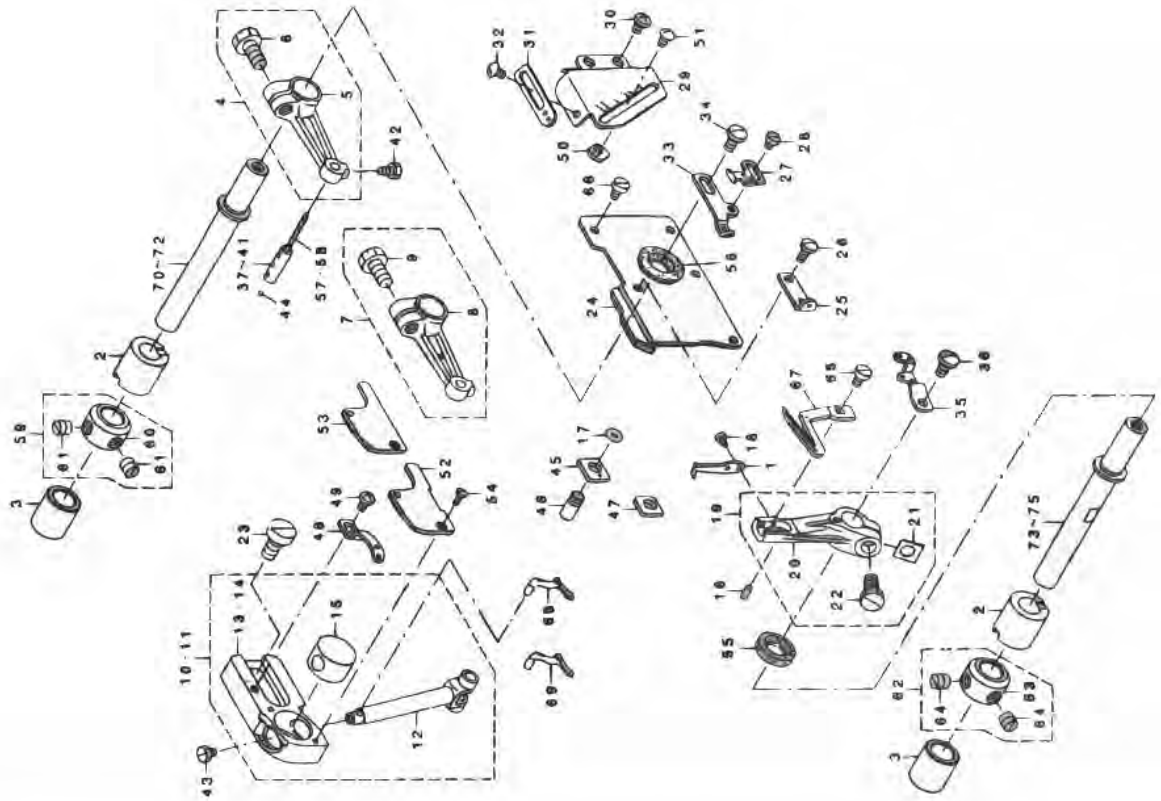
RICAMBI JUKI 6700

1	131-10556	FEED FORKED CRANK ASM.	1	121-18174	FEED ECCENTRIC BODY ASM.	1
2	131-10507	NEEDLE DRIVING BRANCH CRANK	(1)	121-18808	RATCHET GEAR	(1)
3	SM-6061402-JP	SCREW M6 L=14	(1)	SS-6110750-SP	SCREW 11/64-40 L= 6.5	(1)
4	131-10606	NEEDLE DRIVING SHAFT	1	SS-6110710-TP	SCREW 11/64-40 L= 6.5	(1)
5	122-80301	BUSHING, REAR	1	SD-0280271-SP	RINGER SCREW D= 2.60 L= 2.7	(1)
6	132-09883	NEEDLE DRIVING ARM ASM.	1	B1064-704-000	RATCHET PAWL	(1)
7	132-09884	NEEDLE DRIVING ARM	(1)	PS-0300132-KH	SPRING PIN 3X13	(2)
8	SM-6061402-JP	SCREW M6 L=14	(1)	121-16117	FEED ECCENTRIC BODY	(1)
9	#07 132-09101	NEEDLE DRIVING ARM PIN A	2	SS-7110810-SP	SCREW 11/64-40 L= 6.0	(2)
10	#07 132-09200	NEEDLE DRIVING ARM PIN B	2	121-16307	FEED CAM BLOCK	(1)
11	#07 132-09309	NEEDLE DRIVING ARM PIN C	2	121-16216	FEED CAM	(1)
12	#07 132-09408	NEEDLE DRIVING PIN A	1	121-16406	FEED ADJUSTING CAM	(1)
13	#07 132-09507	NEEDLE DRIVING PIN B	1	131-22502	RATCHET PAWL SPRING	(1)
14	#07 132-09606	NEEDLE DRIVING PIN C	1	131-18300	RATCHET GEAR SPRING	1
15	131-10002	BUSHING, REAR	1	SS-6080320-SP	SCREW 1/8-44 L= 2.5	1
16	132-08350	NEEDLE ROD (A) ASM.	1	131-18708	FEED CRANK ROD	1
17	132-08301	NEEDLE ROD (A)	(1)	SS-7110910-TP	SCREW 11/64-40 L= 8.5	1
18	132-07709	NEEDLE ROD BUSHING, LOWER	(1)	121-16604	NEEDLE BEARING	1
19	132-09705	NEEDLE ROD BUSHING, UPPER	(1)	#01 121-16703	NEEDLE BEARING B	1
20	132-07808	NEEDLE ROD BUSHING CAP SCREW	1	#01 121-16802	NEEDLE BEARING...C.	1
21	131-10259	NEEDLE CLAMP HOLDER ASM.	1	#01 121-16901	NEEDLE BEARING...D.	1
22	131-10200	NEEDLE CLAMP HOLDER	(1)	#01 121-17008	NEEDLE BEARING...E.	1
23	SS-6080720-SP	SCREW 1/8-44 L=7	(1)	131-18409	FEED SHAFT METAL, FRONT	1
24	#01 131-10705	NEEDLE THREAD PRESSER GUIDE A	1	131-18508	FEED SHAFT METAL, REAR	1
25	#02 131-10804	NEEDLE THREAD PRESSER GUIDE B	1	131-18807	FEED SHAFT	1
26	131-10903	NEEDLE THREAD PRESSER SPRING	1	132-16809	PUSH BUTTON SHAFT	1
27	131-11000	NEEDLE THREAD PRESSER PLATE A	1	SM-4041455-SM	SCREW M4 L=14	1
28	132-08406	NEEDLE THREAD GUIDE	1	132-16601	PUSH BUTTON SPRING	1
29	132-08905	THREAD GUIDE, 2-NEEDLE	1	132-16700	PUSH BUTTON SHAFT WASHER	1
30	132-08707	NEEDLE THREAD GUIDE BASE	1	132-44108	RUBBER RING	1
31	131-11109	THREAD GUIDE, CHAIN LOOPER	1	132-17906	SLIDE BLOCK B	1
32	SM-4040855-SP	SCREW	2	131-19853	MAIN FEED ARM ASM.	1
33	SS-4110515-SP	SCREW 11/64-40 L=5	1	131-19904	MAIN FEED ARM	(1)
34	#05 131-11208	NEEDLE THREAD TAKE-UP LEVER	1	SM-6051202-TP	SCREW M5X0.8 L=12	(1)
35	#04 131-11307	TAKE-UP LEVER, 2-NEEDLE	1	131-22007	CRANK PIN A	1
36	#02 131-11406	TAKE-UP LEVER, CHAIN LOOP	1	131-22106	CRANK PIN B	1
37	SS-6090670-TP	SCREW 9/64-40 L=6	2	#01 131-22205	CRANK PIN C	1
38	#03 131-11506	NEEDLE THREAD BALANCE GUIDE	1	#01 131-22304	CRANK PIN D	1
39	#04 131-11604	TAKE-UP LEVER GUIDE, 2-NEEDLE	1	131-19706	MAIN FEED ARM PIN	1
40	#02 131-11703	TAKE-UP LEVER GUIDE, CHAIN LOOP	1	MS-6620320-SP	NUT 3/16-32	1
41	SM-4040855-SP	SCREW	1	131-20001	WASHER B	1
42	132-08450	ONCE THROUGH OIL PIPE ASM.	1	131-19805	MAIN FEED LINK	1
43	132-08509	ONCE THROUGH OIL COVER	(1)	B1620-804-000	PIN COLLAR	1
44	CG-20000000-00	OIL VICK	(0.8)	131-20605	WASHER	1
45	23R-30007	TURK	(0.38)	SS-6121220-TP	SCREW 3/16-28 L=11.5	1
46	132-44609	ONCE THROUGH OIL PIPE BUSHING	(1)	131-22452	FEED BRANCH CRANK ASM.	1
47	132-08608	ONCE THROUGH OIL FELT	(1)	131-22403	FEED BRANCH CRANK	(1)
48	131-42609	PIPE CLAMP	1	SM-6081402-TP	SCREW M6 L=14	(1)
49	#07 131-22007	FEED BRANCH CRANK PIN A	1	TA-1030402-R0	RUBBER PLUG D=10.3 L=4	1
50	#07 131-22106	FEED BRANCH CRANK PIN B	1	TA-2050416-R0	RUBBER PLUG	1
51	#07 131-22205	FEED BRANCH CRANK PIN C	1	131-72556	FEED SHAFT THRUST COLLAR ASM.	2
52	#07 131-22304	FEED BRANCH CRANK PIN D	1	131-72507	FEED SHAFT THRUST COLLAR	(1)
53	#06 MDC-27081100	NEEDLE DCX27 #11	2	SS-8110410-TP	SCREW 11/64-40 L= 3.5	(2)
54	131-72754	THRUST COLLAR ASM.	2	132-17807	SLIDE BLOCK A	1
55	131-72705	THRUST COLLAR	(1)			
56	SS-8660610-TP	SCREW 1/4-40 L=6	(2)			
57	SS-8090530-TP	SCREW 9/64-40 L= 5.0	2			
58	CG-20200000-00	OIL VICK	0.09			
59	SS-8000530-TP	SCREW 9/64-40 L= 5.0	1			
60	CG-25200000-00	OIL VICK	0.04			
61	SD-0280401-SL	HINGE SCREW D=2.8 H=4	1			
62	#05 131-75005	NEEDLE CLAMP, 1-NEEDLE	1			
63	#04 122-56905	NEEDLE CLAMP, 2-NEEDLE (B60)	1			
64	#02 122-57002	CHAIN LOOPER NEEDLE CLAMP, DEB	1			
65	#05 SS-8080310-TP	SCREW 1/8-44 L=2.8	1			
66	MDC-27081100	NEEDLE DCX27 #11	1			
67	#06 SS-8080310-TP	SCREW 1/8-44 L=2.8	2			
68	132-08004	NEEDLE DRIVING LINK	1			
69	132-08103	NEEDLE DRIVING LINK WASHER	2			

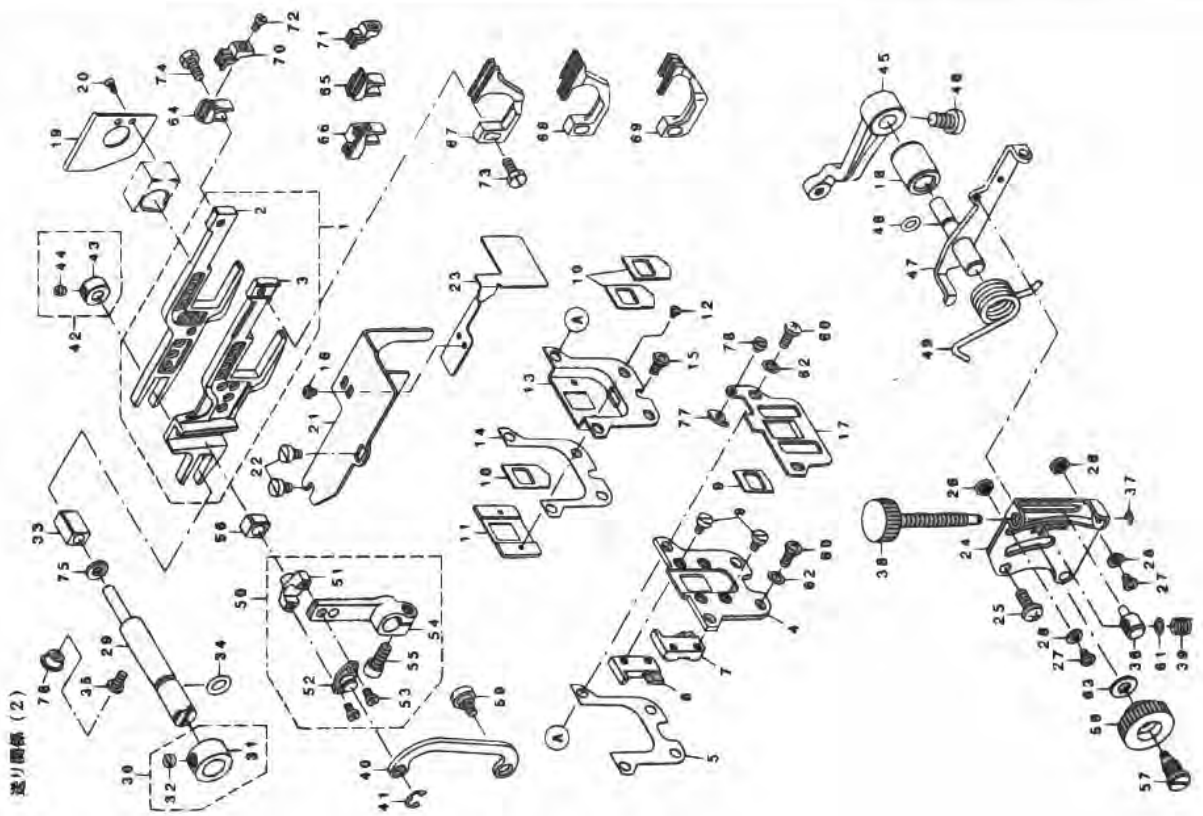
No. #01.....SELECTIVE PARTS

No. #01... FOR MO-6704S, MO-6714S
 #02... FOR MO-6716S
 #03... FOR MO-6704S, MO-6716S
 #04... FOR MO-6714S
 #05... FOR MO-6704S
 #06... FOR MO-6714S, MO-6716S

7. UPPER & LOWER LOOPER COMPONENTS



6. FEED MECHANISM COMPONENTS (2)



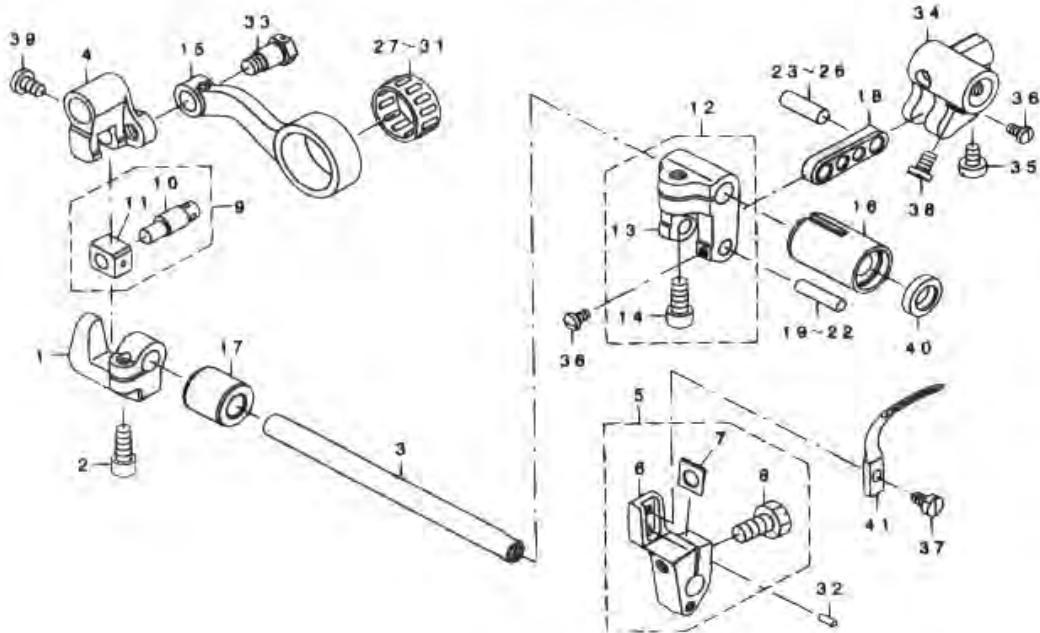
RICAMBI JUKI 6700

1	132-15157	FEED ROCKER ASM.	1	116-90001	TRAVELING NEEDLE GUARD	1
2	132-15108	MAIN FEED BAR	(1)	132-22509	LOOPER SHAFT FRONT BUSHING	2
3	132-15207	DIFFERENTIAL FEED BAR	(1)	132-22708	LOOPER SHAFT REAR BUSHING	2
4	132-15206	RUBBER CASE	(1)	131-31057	UPPER LOOPER ARM A ASM.	1
5	132-15405	RUBBER CASE GASKET	1	131-31008	UPPER LOOPER ARM A	(1)
6	132-15504	FEED BAR SUPPORT, RIGHT	1	SS-9151210-TP	SCREW 15/84-28 L=11.8	(1)
7	132-15603	FEED BAR SUPPORT, LEFT	1	131-31156	UPPER LOOPER ARM B ASM.	1
8	SS-6090820-TP	RUBBER	4	131-31107	UPPER LOOPER ARM B	(1)
9	121-18303	DUST-PROOF RUBBER	1	SS-9151210-TP	SCREW 15/84-28 L=11.8	(1)
10	121-18204	OIL SHIELD RUBBER	1	132-24556	GUIDE SUPPORT ASM. B	1
11	132-15702	RUBBER HOLDING PLATE	1	132-24555	GUIDE SUPPORT ASM. A	1
12	SS-7060310-SP	SCREW 3/32-56 L=3	2	132-24605	UPPER LOOPER HOLDER	(1)
13	132-15900	OIL SHIELD CASE	2	118-33613	UPPER LOOPER GUIDE SUPPORT	(1)
14	132-16007	OIL SHIELD CASE	2	118-33602	UPPER LOOPER GUIDE SUPPORT B	(1)
15	SM-4040855-SP	SCREW	1	132-22104	UPPER LOOPER GUIDE	(1)
16	SM-4030485-SP	SCREW	2	PS-0300082-KH	SPRING PIN 3X5	1
17	132-15801	THROAT PLATE SUPPORT	1	131-70800	RUBBER RING	1
18	131-22700	ADJUSTING SHAFT METAL	1	SS-6080440-TP	SCREW 3/32-56 L=3.5	2
19	132-16106	OIL SHIELD PLATE	1	131-32550	LOOPER SUPPORT ARM ASM.	1
20	SS-1060810-SP	SCREW 3/32-56 L=5.5	2	131-32501	LOOPER SUPPORT ARM	(1)
21	132-16205	FEED CAM OIL SHIELD PLATE	2	131-28909	WASHER	(1)
22	SM-6040600-SP	SCREW M4 L=6	2	SS-9151210-TP	SCREW 15/84-28 L=11.8	(1)
23	132-16304	OIL SHIELD PLATE	2	SM-6061200-SP	SCREW M6 L=12	2
24	131-22809	DIFFERENTIAL FEED GRADUATION	2	121-23659	OIL SHIELD PLATE ASM.	1
25	SM-4051255-SP	SCREW M5 L=12	2	123-40000	UPPER LOOPER THREAD GUIDE	1
26	131-21405	ADJUSTING STOPPER	2	SS-7090850-SP	SCREW 9/84-40 L=8	1
27	SS-4090515-SP	SCREW 9/84-40 L=5	2	123-40709	LOOPER THREAD TAKE-UP	1
28	WP-6371016-SD	WASHER 3.7X8X1	2	SS-6080410-SP	SCREW 1/8-44 L=4	1
29	131-20802	SUPPORT SHAFT	1	132-22401	LOOPER THREAD TAKE-UP COVER	2
30	131-21058	BRUST COLLAR ASM.	1	SM-4030655-SP	SCREW M4 L=8	2
31	131-21009	BRUST COLLAR	(1)	123-40303	THREAD GUIDE, RIGHT	1
32	SS-8660330-SP	SCREW 1/4-40 L=3.0	(1)	SS-3090910-SP	SCREW 9/84-40 L=6	1
33	131-20803	SLIDE BLOCK	1	123-40402	THREAD TAKE-UP, RIGHT	1
34	131-70204	RUBBER RING	1	SS-7110840-SP	SCREW 11/84-40 L=7.8	1
35	SM-4040855-SP	SCREW	1	123-40307	LOOPER THREAD TAKE-UP, LEFT	1
36	132-17708	DIFFERENTIAL FEED BLOCK	1	SS-7110840-SP	SCREW 11/84-40 L=7.8	1
37	86-0300000-K0	E-RING 3	1	131-31208	UPPER LOOPER HOLDER PIN A	1
38	132-13012	ADJUSTING SCREW	1	131-31305	UPPER LOOPER HOLDER PIN B	1
39	131-23302	DIFFERENTIAL FEED SCREW SPRING	1	131-31404	UPPER LOOPER HOLDER PIN C	1
40	131-21306	ADJUSTING LINK	1	131-31503	UPPER LOOPER HOLDER PIN D	1
41	86-0500000-K0	E-RING 5	1	131-31602	UPPER LOOPER HOLDER PIN E	1
42	131-21256	SUPPORT SHAFT COLLAR ASM.	1	SS-9090610-TP	SCREW 9/84-40 L=5.5	1
43	131-21207	SUPPORT SH-FT COLLAR	(1)	SS-9090410-TP	SCREW	1
44	SS-9110410-TP	SCREW 11/84-40 L=3.5	(1)	118-31708	OIL WICK STOPPER BALL	1
45	131-21800	DIFFERENTIAL FEED ROCKER	(1)	131-31809	GUIDE SUPPORT GAUGE	1
46	SS-8661110-SP	SCREW 1/4-40 L=11	1	131-31800	GAUGE FIXING PIN	1
47	132-17351	ROCKER SHAFT ASM	1	131-32006	GUIDE SUPPORT GAUGE	1
48	131-70501	RUBBER RING	1	123-40501	THREAD GUIDE, UPPER	1
49	131-21603	ADJUSTING LEVER SPRING	1	SS-4090815-SP	SCREW 9/84-40 L=6	1
50	132-18052	DIFFERENTIAL FEED ARM ASM.	(1)	123-40808	THREAD GUIDE	1
51	118-25304	DIFFERENTIAL FEED PIN	(1)	SS-3090010-SP	SCREW 9/84-40 L=6	1
52	118-26401	DIFFERENTIAL FEED PIN COVER	(1)	132-22203	UPPER LOOPER GAUGE COVER	1
53	SS-8080410-SP	SCREW 1/8-44 L=4	(2)	132-22302	UPPER LOOPER GAUGE COVER B	1
54	132-18003	DIFFERENTIAL FEED ARM	(1)	SS-7090810-SP	SCREW 3/32-56 L=5.5	2
55	SM-4051202-TP	SCREW M5X0.8 L=12	(1)	B2508-704-000	OIL SEAL	1
56	132-18102	SLIDE BLOCK	1	82530-704-000	UPPER LOOPER SHAFT RUBBER RING	1
57	132-17401	DIFFERENTIAL FEED HINGE SCREW	1	CQ-2000000-00	OIL WICK	0.04
58	132-17500	DIFFERENTIAL FEED LOCK NUT	1	CQ-2020000-00	THRUST COLLAR ASM.	0.04
59	SD-0720271-SP	HINGE SCREW D=7.2 H=2.7	1	131-72853	THRUST COLLAR	(1)
60	SM-4041055-SP	SCREW M4 L=10	1	131-72804	THRUST COLLAR	(1)
61	WP-0460550-SD	WASHER 4.6X7.5X0.5	1	SS-6030620-TP	SCREW	(2)
62	WP-0460836-SP	WASHER 4.8X8.4X0.8	1	SS-6090630-TP	SCREW 9/84-40 L=6	4
63	WP-0621016-SD	WASHER 6.2X13X1	1	119-99307	LOOPER	1
64	118-82107	MAIN FEED DOG	1	118-88104	UPPER LOOPER	1
65	118-48607	MAIN FEED DOG (F-25)	1	121-76004	UPPER LOOPER	1
66	118-82800	MAIN FEED DOG	1	132-21403	UPPER LOOPER GUIDE A	1
67	116-82800	DIFFERENTIAL FEED DOG	1	132-21502	UPPER LOOPER GUIDE B	1
68	116-82800	DIFFERENTIAL FEED DOG	1	132-21502	UPPER LOOPER GUIDE C	1
69	116-82800	DIFFERENTIAL FEED DOG	1	132-21601	UPPER LOOPER GUIDE A	1
70	131-91309	AUXILIARY FEED DOG	1	132-21700	UPPER LOOPER GUIDE B	1
71	131-91408	AUXILIARY FEED DOG	1	132-21809	UPPER LOOPER GUIDE C	1
72	SS-4080620-TP	SCREW 1/8-44 L=8	1	132-21908	UPPER LOOPER GUIDE	1
73	SS-9111010-SP	SCREW 11/84-40 L=9.5	1			
74	SS-9111060-SP	SCREW 11/84-40 L=9.5	1			
75	131-21108	WASHER	1			
76	TA-0800504-K0	PLUG D=8 L=4.5	1			
77	132-09902	FEED MECHANISM COVER PRESSER	1			
78	SS-0080340-SP	SCREW 1/8-44 L=2.9	1			

Note #01... FOR MO-6704S, MO-6714S
 #02... FOR MO-6714S
 #03... SELECTIVE PARTS
 #04... FOR MO-6704S, MO-6714S
 #05... FOR MO-6716S

RICAMBI JUKI 6700

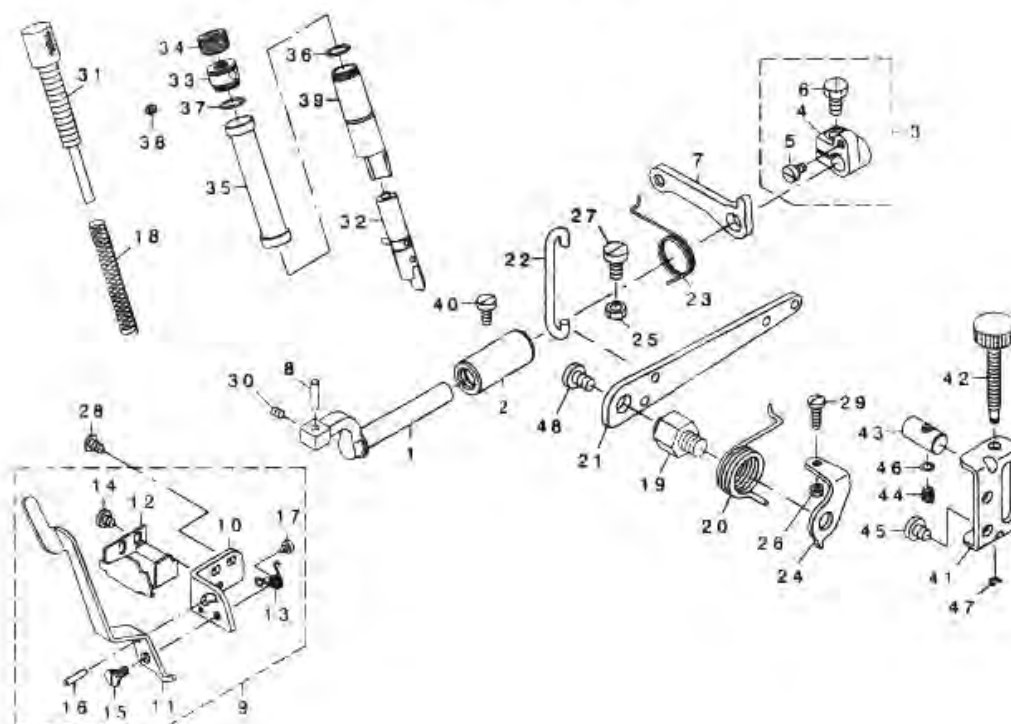
8. CHAIN LOOPER COMPONENTS (FOR MO-6716S)



REF. NO	NOTE	PART NO.	DESCRIPTION
1		123-42309	BRACKET
2		SM-6051202-TP	SCREW M5X0.8 L=12
3		131-26909	CHAIN LOOPER SHAFT
4		131-26008	FRONT-AND-REAR ARM
5		131-29952	CHAIN LOOPER DRIVING ARM ASM.
6		131-29903	CHAIN LOOPER DRIVING ARM
7		131-29309	WASHER
8		SS-9151210-TP	SCREW 15/64-28 L=11.8
9		131-26354	SLIDE BLOCK PIN ASM.
10		131-26206	CHAIN LOOPER SLIDE BLOCK PIN
11		131-26305	CHAIN LOOPER SLIDE BLOCK
12		131-25950	CHAIN LOOPER DRIVING ARM ASM.
13		131-25901	CHAIN LOOPER DRIVING ARM
14		SM-6051202-TP	SCREW M5X0.8 L=12
15		132-20009	CHAIN LOOPER ROD
16		131-28103	BUSHING, FRONT
17		131-27006	BUSHING, REAR
18		131-27105	CHAIN LOOPER SHAFT DRIV. LINK
19	#01	131-26503	PIN, LONG A
20	#01	131-26602	PIN, LONG B
21	#01	131-26701	PIN, LONG C
22	#01	131-26800	PIN, LONG D
23	#01	131-27204	PIN, SHORT A
24	#01	131-27303	PIN, SHORT B
25	#01	131-27402	PIN, SHORT C
26	#01	131-27501	PIN, SHORT D
27	#01	B2119-818-A00	BEARING A
28	#01	B2119-818-B00	BEARING B
29	#01	B2119-818-C00	BEARING C
30	#01	B2119-818-D00	BEARING D
31	#01	B2119-818-E00	BEARING E
32		PS-0250062-KH	SPRING PIN 2.5X6
33		SD-0720803-TH	STEP-SCREW D=7.24 H=8
34		121-21612	DRIVING BALL ARM BRACKET
35		SS-6110710-TP	SCREW 11/64-40 L= 6.5
36		SS-4080620-TP	SCREW 1/8-44 L=6
37		SS-6090620-TP	SCREW
38		SS-6110710-TP	SCREW 11/64-40 L= 6.5
39		SS-7110720-TP	SCREW 11/64-40 L=7
40		B2525-352-000	OIL SEAL RING
41		121-20705	CHAIN LOOPER

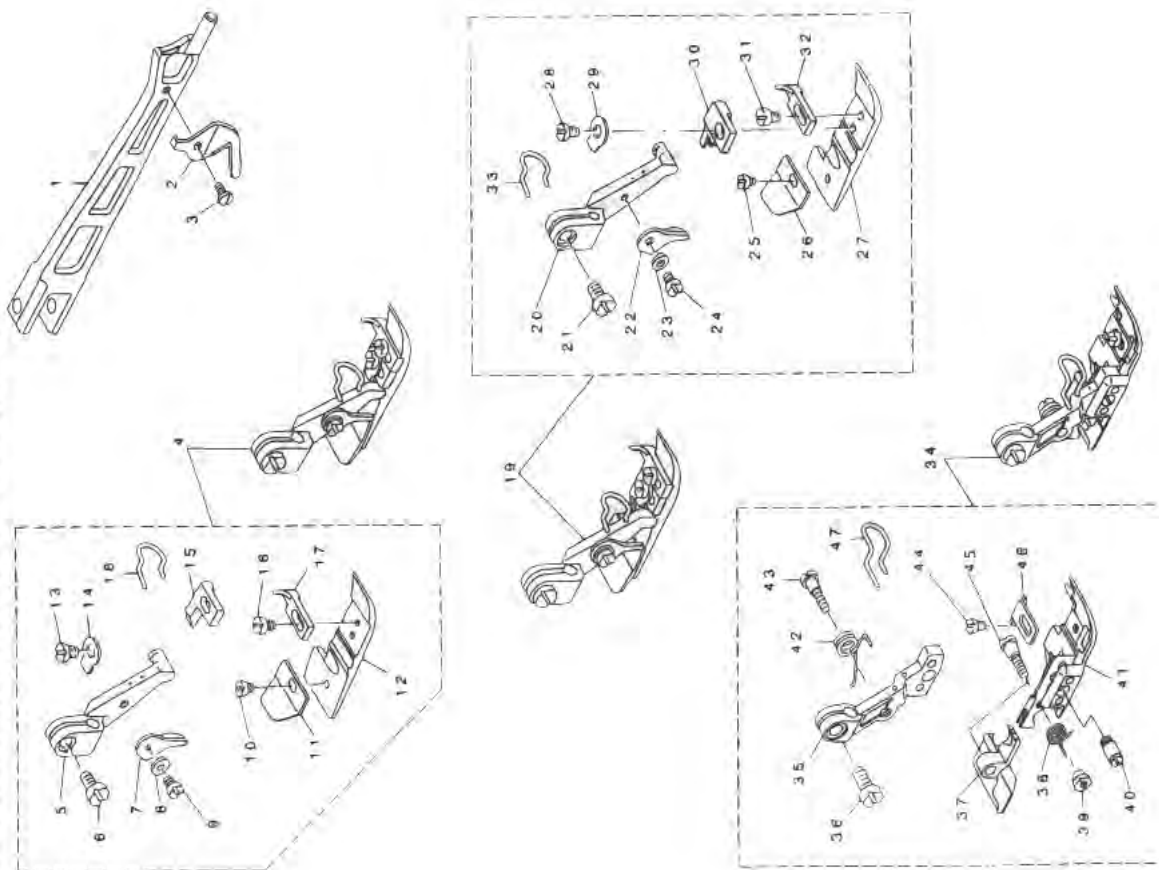
RICAMBI JUKI 6700

9. PRESSER FOOT COMPONENTS (1)



REF.NO	NOTE	PART NO.	DESCRIPTION
1		121-13205	PRESSER FOOT SHAFT
2		131-15100	PRESSER FOOT SHAFT BUSHING
3		131-15258	THRUST ARM ASM.
4		131-15209	THRUST ARM
5		SS-6110710-TP	SCREW 11/64-40 L= 6.5
6		SS-9151210-TP	SCREW 15/64-28 L=11.8
7		131-16801	LIFTING ARM
8		131-15407	PRESSER FOOT ARM HINGE SHAFT
9		131-15753	PRESSER LIFTING LEVER BASE ASM
10		131-15803	PRESSER LIFTING LEVER BASE
11		131-15902	PRESSER LIFTING LEVER
12		131-16009	PRESSER ARM STOPPER
13		131-16108	PRESSER FOOT LIFTING SPRING
14		SS-7110510-SP	SCREW 11/64-40 L=5
15		SD-0640241-SP	HINGE SCREW D= 6.35 H= 2.4
16		PS-0300142-KH	SPRING PIN 0.3 X 14
17		SS-6080340-SP	SCREW 1/8-44 L=2.9
18		131-16207	PRESSER FOOT SPRING
19		131-17007	PRESSER LIFTING LEVER SCREW
20		131-16306	PRESSER LIFTING LEVER SPRING
21		131-16900	PRESSER LIFTING LEVER
22		131-16405	PRESSER LIFTING HOOK
23		131-16504	LIFTING LEVER ARM SPRING
24		131-16603	PRESSER LIFTING LEVER SPRING
25		NM-6060003-SC	NUT M6
26		NS-6110420-SP	NUT 1/64-40
27		SM-6061200-SP	SCREW M6 L=12

10. PRESSER FOOT COMPONENTS (2)



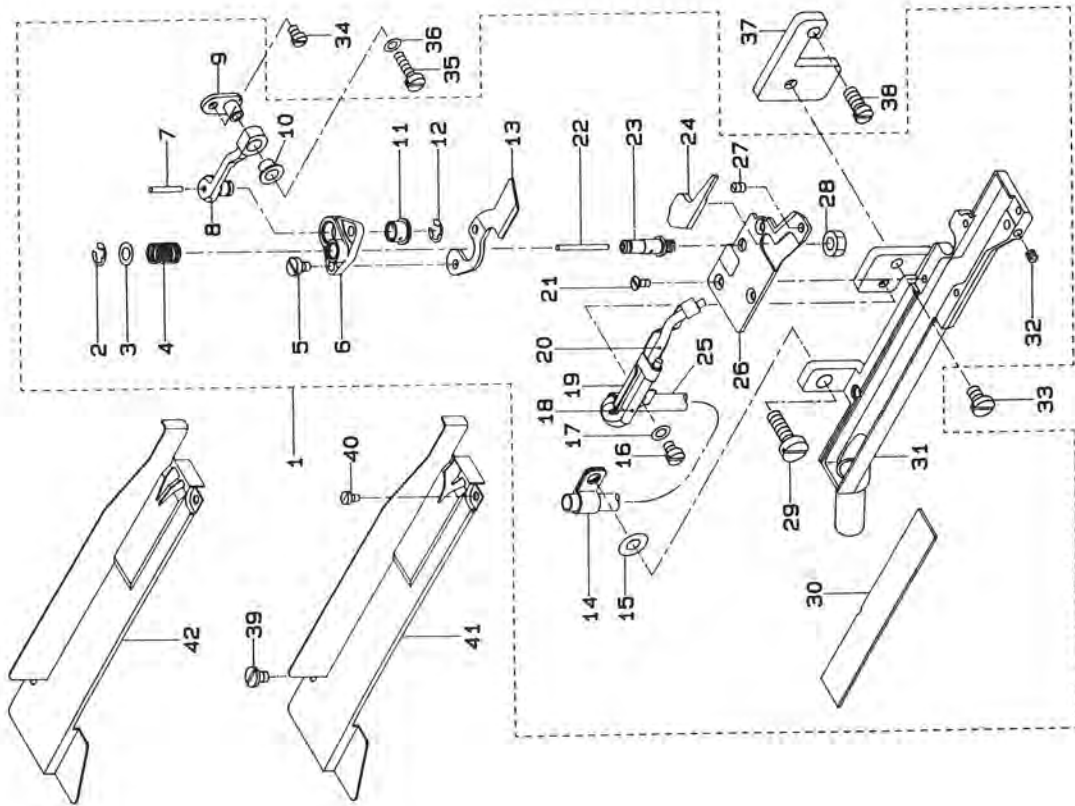
REF. NO	NOTE	PART NO.	DESCRIPTION	Qty
1		122-53811	PRESSER FOOT ARM	1
2		131-16702	THREAD TRIMMER	1
3		SS-7060510-SP	SCREW 3/32-56 L=4.8	1
4	#01	118-76166	PRESSER FOOT ASM.	1
5		118-72009	PRESSER FOOT HINGE	(1)
6		SS-6090650-SP	SCREW 9/64-40 L=6	(1)
7		B1530-804-000	STOPPER	(1)
8		WP-0250516-SD	WASHER 2.5X6X0.5	(1)
9		SS-7060610-SP	SCREW 3/32-56 L= 5.5	(1)
10		SS-6090210-SP	SCREW 3/32-56 L= 1.9	(1)
11		B1511-814-000	REAR PRESSER FOOT	(1)
12		B1507-804-C00	PRESSER FOOT	(1)
13		SS-7080520-SP	SCREW 1/8-44 L=4.9	(1)
14		B1508-804-00B	SPRING	(1)
15		B1509-804-C00	SLITCH TONGUE	(1)
16		SS-6060440-TP	SCREW 3/32-56 L=3.5	(1)
17		B1510-814-000	CURL GUARD	(1)
18		131-78306	FINGER GUIDE	(1)
19	#02	118-76869	PRESSER FOOT ASM.	1
20		118-72009	PRESSER FOOT HINGE	(1)
21		SS-6090650-SP	SCREW 9/64-40 L=6	(1)
22		B1530-804-000	STOPPER	(1)
23		WP-0250516-SD	WASHER 2.5X6X0.5	(1)
24		SS-7060610-SP	SCREW 3/32-56 L= 5.5	(1)
25		SS-6090210-SP	SCREW 3/32-56 L= 1.9	(1)
26		B1511-814-000	REAR PRESSER FOOT	(1)
27		B1507-814-00P	PRESSER FOOT	(1)
28		SS-7080520-SP	SCREW 1/8-44 L=4.9	(1)
29		B1508-804-00B	SPRING	(1)
30		B1509-814-00P	SLITCH TONGUE	(1)
31		SS-6060440-TP	SCREW 3/32-56 L=3.5	(1)
32		B1510-814-000	CURL GUARD	(1)
33		131-78306	FINGER GUIDE	(1)
34	#03	121-53763	PRESSER FOOT ASM.	1
35		121-56907	PRESSER FOOT HINGE	(1)
36		SS-6090650-SP	SCREW 9/64-40 L=6	(1)
37		121-64802	REAR PRESSER FOOT	(1)
38		121-67805	SPRING, FOR REAR PRESSER FOOT	(1)
39		B1513-816-000	NUT, FOR REAR PRESSER FOOT	(1)
40		121-67409	HINGE PIN	(1)
41		121-62202	PRESSER FOOT	(1)
42		121-67607	PRESSER FOOT ARM SPRING	(1)
43		121-67508	HINGE SCREW	(1)
44		SS-6060340-SP	SCREW 3/32-56 L= 2.5	(1)
45		B1514-816-000	SCREW	(1)
46		121-67706	PRESSER FOOT	(1)
47		131-78405	FINGER GUIDE	(1)

Note #01...FOR MO-6704S
 #02...FOR MO-6714S
 #03...FOR MO-6716S

JUKI T035

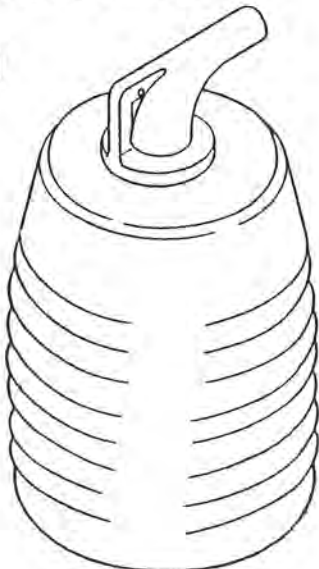
TAGLIA-ASPIRA CATENELLA NUOVA VERSIONE
ADATTO ALLE CLASSI 2400/2500 FINO ALLA 3600/3700/3900

T035



BIDONE DI SCARICO ADATTO A SIRUBA MAUSER-JUKI

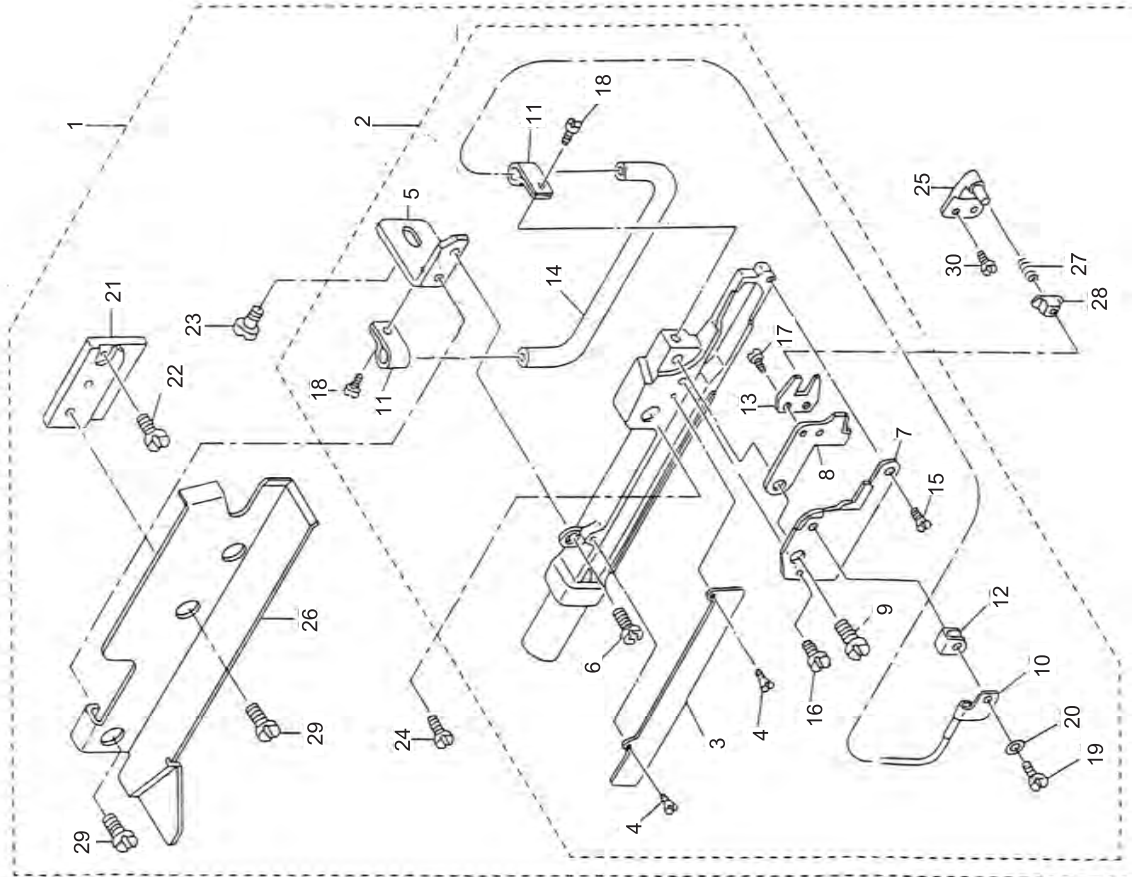
TU20



REF. NO.	NOTE	PART NO.	DESCRIPTION	ヒシキイ	AMT.
1		MAT-035030B0	KNIFE PLATE ASM.	443*179 73	1
2		RE-0300000-K0	E-RING	428*247 3	(1)
3		VP-0450000-SD	WASHER 4.5X8X0.5	429*247 3	(1)
4		MAT-035030A0	SPRING	ト04333110*	(1)
5		SS-7080510-TP	SCREW 1/8-44 L=4.5	7462322 1/8-44 L=4.5	(2)
6		MAT-035030C0	MOVING KNIFE BRACKET	ト04333110*	(1)
7		CU-2020000-00	OIL VICK	329	(0.1)
8		MAT-03511000	KNIFE DRIVING LINK	ト0432020*	(1)
9		MAT-03512000	KNIFE DRIVING LINK BRACKET	ト0432020*	(1)
10		MAT-03510000	KNIFE DRIVING LINK PIECE	520*212	(1)
11		MAT-03510000	KNIFE DRIVING PIECE	520*212	(1)
12		RE-0400000-K0	E-RING	428*247 4	(1)
13		MAT-03506000	MOVING KNIFE	ト043	(1)
14		MAT-03511000	OIL TUBE HOLDER	ト0430200*	(1)
15		VP-0502618-SD	WASHER	429*247 3	(1)
16		SS-7090520-TP	SCREW 9/64-40 L=4.5	7462322 9/64-40 L=4.5	(1)
17		VP-0371016-SD	WASHER 3.7X8X1	429*247 3.7X8X1	(1)
18		MAT-035140A0	OIL TUBE ASM.	429*247 3.7X8X1	(1)
19		MAT-03513000	OIL TUBE HOLDER	429*247 3.7X8X1	(1)
20		MAT-035150A0	OIL TUBE ASM.	ト0430200*	(1)
21		SS-1060610-SP	SCREW 3/32-56 L=5.5	429*247 3/32-56 L=5.5	(3)
22		CU-2020000-00	OIL VICK	329	(0.1)
23		MAT-03507000	KNIFE BAR DRIVING SHAFT	ト0430200*	(1)
24		MAT-03517000	AIR LEAK STOPPER	1760*4	(1)
25		BP-4000000-00	VINYL TUBE, WHITE D=4	ト0430200*	(0.1)
26		MAT-03505000	FIXED KNIFE	374X3	(1)
27		SS-8080610-SP	SCREW 1/8-44 L=5.5	429*247 1/8-44 L=5.5	(1)
28		NS-6110310-SP	NUT 1/8-44	0799*191 1/8-44	(1)
29		SS-7121410-TP	SCREW 3/16-28 L=14	7462322 3/16-28 L=14	(1)
30		MAT-03518000	KNIFE PLATE COVER	443*179	(1)
31		MAT-035030A0	KNIFE PLATE ASM.	443*179	(1)
32		SS-8080610-TP	SCREW 1/8-44 L=2.8	429*247 1/8-44 L=2.8	(1)
33		SS-7110840-SP	SCREW 11/64-40 L=7.8	7462322 11/64-40 L=7.8	1
34		SS-7080520-SP	SCREW 1/8-44 L=4.9	7462322 1/8-44 L=4.9	1
35		SS-7081310-SP	SCREW 1/8-44 L=12.5	7462322 1/8-44 L=12.5	1
36		VP-0371016-SD	WASHER 3.7X8X1	429*247 3.7X8X1	1
37		MAT-03502000	KNIFE PLATE	443*179*191	1
38		SS-7120910-SP	SCREW 3/16-28 L=9	7462322 3/16-28 L=9	1
39		SS-6090520-SP	SCREW 9/64-40 L=5.0	7462322 9/64-40 L=5	1
40		SS-7060310-SP	SCREW 3/32-56 L=3	7462322 3/32-56 L=3	1
41	#01	MAT-03519000	KNIFE PLATE COVER RIG	443*179*(17)	1
42		MAT-03521000	KNIFE PLATE COVER (STANDARD)	443*179*(17)	1

Pneumatic Side Cutter

T042
PARTS LIST



REF. NO.	NOTE	PART NO.	DESCRIPTION
1		MAT-042000A0	PNEUMATIC SIDE CUTTER ASM.
2		MAT-036010BA	KNIFE REST ASM.
3		MAT-03602000	KNIFE REST LID
4		SS-2060320-SP	SCREW 3/32-56 L=3.2
5		MAT-03604000	KNIFE REST PLATE
6		SS-4110715-SP	SCREW 11/64-40 L=7
7		MAT-0360500A	FIXING KNIFE
8		MAT-03606000	WORK KNIFE
9		MAT-03607000	KNIFE SHAFT
10		MAT-036090A0	OIL SUPPLY HOLDER ASM.
11		MAT-03610000	OIL SUPPLY PIPE BRACKET
12		MAT-02111000	SPRING
13		MAT-02502000	DRIVING LEVER
14		BP-4000000-00	VINYL TUBE, WHITE D=4
15		SS-2060510-SP	SCREW 3/32-56 L=4.5
16		SS-6090520-SP	SCREW 9/64-40 L=5.0
17		SS-6080410-SP	SCREW 1/8-44 L=4
18		SS-6060410-TP	SCREW 3/32-56 L=3.5
19		SS-7060310-SP	SCREW 3/32-56 L=3
20		WP-0250516-SD	WASHER 2.5X6X0.5
21		MAT-03603000-A	KNIFE REST BRACKET
22		SS-4120915-SP	SCREW 3/16-28 L=9
23		SS-4150715-SP	SCREW 15/64-28 L=7
24		SS-6111210-SP	SCREW 11/64-40 L=12
25		MAT-03608000	DRIVE PIN
26		MAT-042010A0	SIDE COVER COMPL.
27		MAT-02106000	SPRING
28		MAT-02503000	SLIDE BLOCK
29		SS-7110840-SP	SCREW 11/64-40 L=7.8
30		SS-7080520-SP	SCREW 1/8-44 L=4.9

Pneumatic Flat Cutter

T041

PARTS LIST

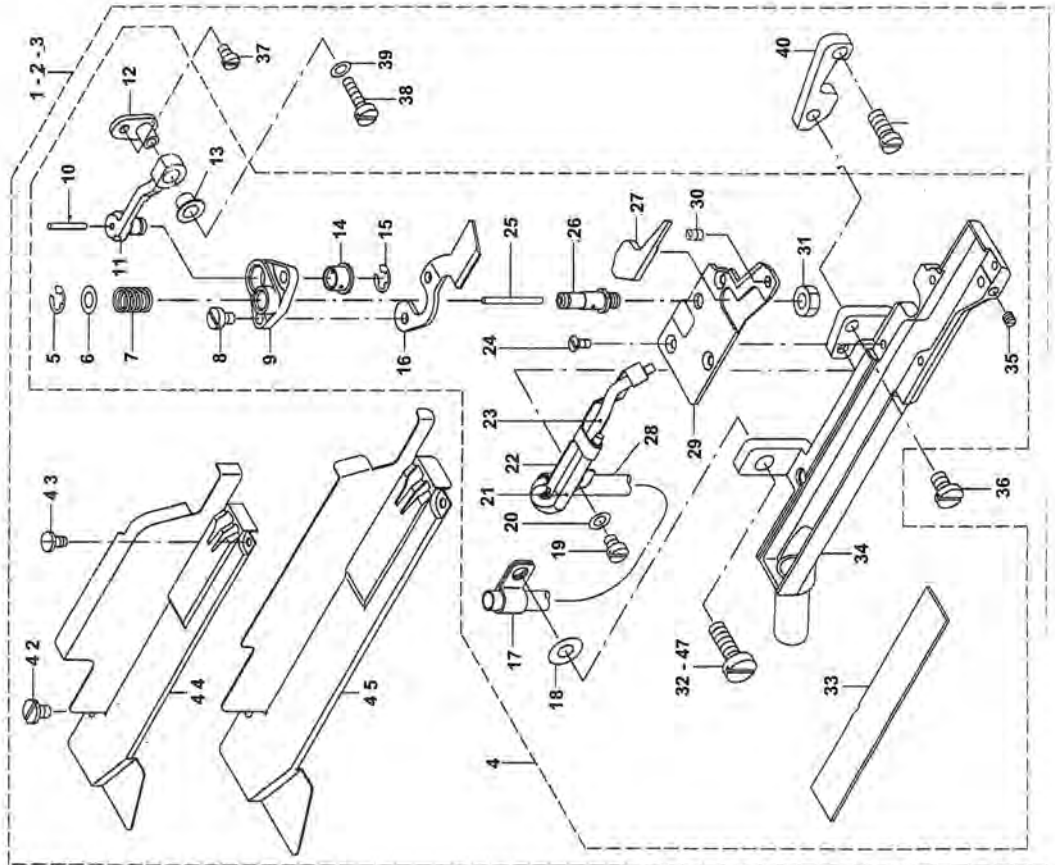
1	MAT-041000A0-A	PNEUMATIC FLAT CUTTER ASM.
2	MAT-041000AB	PNEUMATIC FLAT CUTTER ASM.
3	MAT-041000AC	PNEUMATIC FLAT CUTTER ASM.
4	MAT-041030B0	KNIFE PLATE ASM.
5	RE-0300000-K0	E-RING 3
6	WP-0450000-SD	WASHER 4.5X8X0.5
7	MAT-03509000	SPRING
8	SS-7080510-TP	SCREW 1/8-44 L=4.5
9	MAT-03508000	MOVING KNIFE BRACKET
10	CQ-2020000-00	OIL WICK
11	MAT-03511000	KNIFE DRIVING RINK
12	MAT-03512000	KNIFE DRIVING RINK BRACKET
13	MAT-03510000	KNIFE DRIVING RINK PIECE
14	MAT-03510000	KNIFE DRIVING RINK PIECE
15	RE-0400000-K0	E-RING 4
16	MAT-03506000	MOVING KNIFE
17	MAT-03516000	OIL TUBE HOLDER
18	WP-0502616-SD	WASHER
19	SS-7090520-TP	SCREW 9/64-40 L=4.5
20	WP-0371016-SD	WASHER 3.7X8X1
21	MAT-035140A0	OIL TUBE ASM.
22	MAT-04104000	OIL TUBE HOLDER
23	MAT-035150A0	OIL TUBE ASM.
24	SS-1060610-SP	SCREW 3/32-56 L=5.5
25	CQ-2020000-00	OIL WICK
26	MAT-03507000	KNIFE BAR DRIVING SHAFT
27	MAT-03517000	AIR LEAK STOPPER
28	BP-4000000-00	VINYL TUBE, WHITE D=4
29	MAT-03505000	FIXED KNIFE
30	SS-8080610-SP	SCREW 1/8-44 L=5.5
31	NS-6110310-SP	NUT 11/64-40
32	SS-7121410-TP	SCREW 3/16-28 L=14
33	MAT-03518000	KNIFE PLATE COVER
34	MAT-041030A0	KNIFE PLATE ASM.
35	SS-8080310-TP	SCREW 1/8-44 L=2.8
36	SS-7110840-SP	SCREW 11/64-40 L=7.8
37	SS-7080520-SP	SCREW 1/8-44 L=4.9
38	SS-7081310-SP	SCREW 1/8-44 L=12.5
39	WP-0371016-SD	WASHER 3.7X8X1
40	MAT-04102000	KNIFE PLATE
41	SS-7120910-SP	SCREW 3/16-28 L=9
42	SS-6090520-SP	SCREW 9/64-40 L=5.0
43	SS-7060310-SP	SCREW 3/32-56 L=3
44	MAT-04101000	KNIFE PLATE COVER
45	MAT-04105000	KNIFE PLATE COVER
46	SM-6040800-SP	SCREW
47	SM-4041655-SP	SCREW M4 L=16

NOTE

#01 FOR MOR-3900

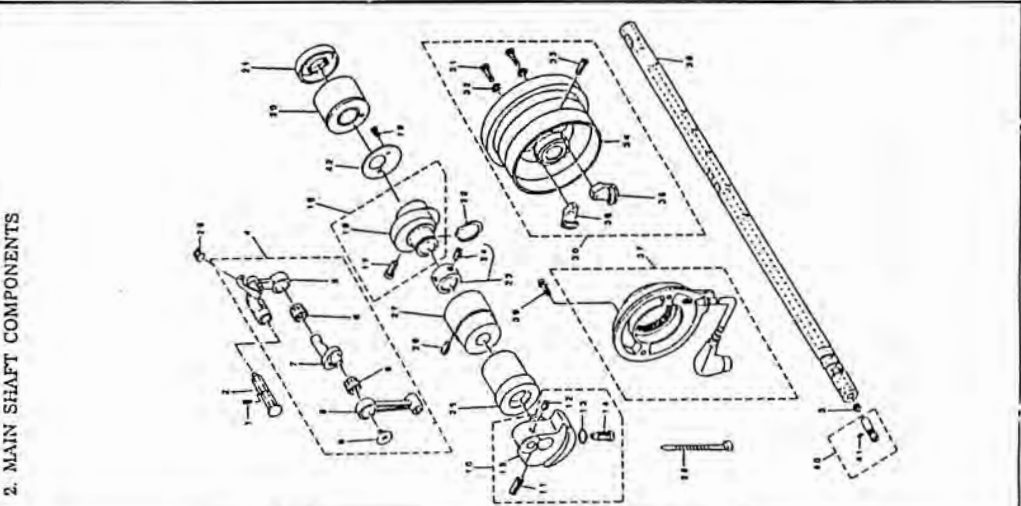
#02 FOR MO-3300

#03 FOR MOR-3900, MO-3300



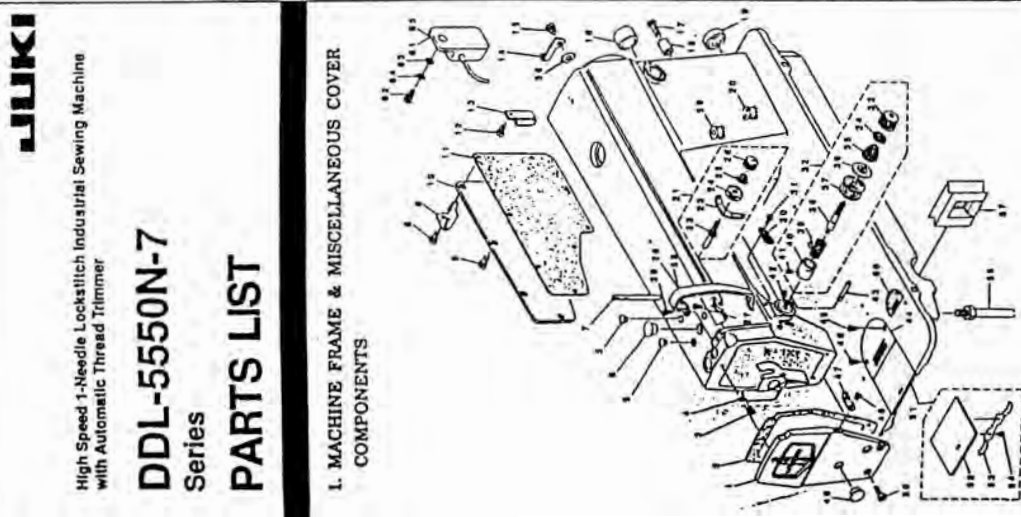
RICAMBI JUKI DDL-5550 N-7

2. MAIN SHAFT COMPONENTS



REF. NO.	NOTE	PART NO.	DESCRIPTION	QTY.
1		110-70851	FACE PLATE ASH.	1
2		110-00304	SCREW 1/8-44 L-4	1
3		SS-4986410-SF	ARM OIL SHIELD ASH.	1
4		110-00858	ARM OIL SHIELD ASH.	1
5		110-00858	ARM OIL SHIELD ASH.	1
6		110-00858	ARM OIL SHIELD ASH.	1
7		110-00858	ARM OIL SHIELD ASH.	1
8		110-00858	ARM OIL SHIELD ASH.	1
9		110-00858	ARM OIL SHIELD ASH.	1
10		110-00858	ARM OIL SHIELD ASH.	1
11		110-00858	ARM OIL SHIELD ASH.	1
12		110-00858	ARM OIL SHIELD ASH.	1
13		110-00858	ARM OIL SHIELD ASH.	1
14		110-00858	ARM OIL SHIELD ASH.	1
15		110-00858	ARM OIL SHIELD ASH.	1
16		110-00858	ARM OIL SHIELD ASH.	1
17		110-00858	ARM OIL SHIELD ASH.	1
18		110-00858	ARM OIL SHIELD ASH.	1
19		110-00858	ARM OIL SHIELD ASH.	1
20		110-00858	ARM OIL SHIELD ASH.	1
21		110-00858	ARM OIL SHIELD ASH.	1
22		110-00858	ARM OIL SHIELD ASH.	1
23		110-00858	ARM OIL SHIELD ASH.	1
24		110-00858	ARM OIL SHIELD ASH.	1
25		110-00858	ARM OIL SHIELD ASH.	1
26		110-00858	ARM OIL SHIELD ASH.	1
27		110-00858	ARM OIL SHIELD ASH.	1
28		110-00858	ARM OIL SHIELD ASH.	1
29		110-00858	ARM OIL SHIELD ASH.	1
30		110-00858	ARM OIL SHIELD ASH.	1
31		110-00858	ARM OIL SHIELD ASH.	1
32		110-00858	ARM OIL SHIELD ASH.	1
33		110-00858	ARM OIL SHIELD ASH.	1
34		110-00858	ARM OIL SHIELD ASH.	1
35		110-00858	ARM OIL SHIELD ASH.	1
36		110-00858	ARM OIL SHIELD ASH.	1
37		110-00858	ARM OIL SHIELD ASH.	1
38		110-00858	ARM OIL SHIELD ASH.	1
39		110-00858	ARM OIL SHIELD ASH.	1
40		110-00858	ARM OIL SHIELD ASH.	1
41		110-00858	ARM OIL SHIELD ASH.	1
42		110-00858	ARM OIL SHIELD ASH.	1

REF. NO.	NOTE	PART NO.	DESCRIPTION	QTY.
1		SS-411130-SF	SCREW 15/64-28 L-10.5	1
2		110-17357	SCREW TAKE-UP CRANK SHAFT ASH.	1
3		110-02984	COLLAR PLAT.	1
4		110-38070	THREAD TAKE-UP LEVER ASH.	1
5		110-38062	THREAD TAKE-UP LEVER ASH.	1
6	#01	11965-541-000	NEEDLE BEARING	(1)
7		110-02924	NEEDLE BAR CRANK	(1)
8		11409-552-000	NEEDLE BAR CRANK ROD	(1)
9		11903-652-000	LEFT SCREW	(1)
10		110-02189	COUNTERWEIGHT ASH.	(1)
11		SS-4681450-1P	SCREW 9/32-28 L-16	(1)
12		110-10-1P	SCREW 1/4-40 L-4	(1)
13		110-04240	ROBBIE RING	(1)
14		SS-7841850-1P	SCREW 9/32-28 L-16	(1)
15		110-02119	FIELD DRIVE ECCENTRIC CAM ASH.	(1)
16		SS-6861110-SF	SCREW 1/4-40 L-11	(1)
17		110-08000	FIELD DRIVE ECCENTRIC CAM	(1)
18		SS-609650-SF	SCREW 9/64-40 L-4	(1)
19		110-02405	OIL SEAL	2
20		110-02308	SNAP RING 18.5	1
21		110-02308	SNAP RING 18.5	1
22		110-02308	SNAP RING 18.5	1
23		110-02308	SNAP RING 18.5	1
24		110-02308	SNAP RING 18.5	1
25		110-02308	SNAP RING 18.5	1
26		110-02308	SNAP RING 18.5	1
27		110-02308	SNAP RING 18.5	1
28		110-02308	SNAP RING 18.5	1
29		110-02308	SNAP RING 18.5	1
30		110-02308	SNAP RING 18.5	1
31		110-02308	SNAP RING 18.5	1
32		110-02308	SNAP RING 18.5	1
33		110-02308	SNAP RING 18.5	1
34		110-02308	SNAP RING 18.5	1
35		110-02308	SNAP RING 18.5	1
36		110-02308	SNAP RING 18.5	1
37		110-02308	SNAP RING 18.5	1
38		110-02308	SNAP RING 18.5	1
39		110-02308	SNAP RING 18.5	1
40		110-02308	SNAP RING 18.5	1
41		110-02308	SNAP RING 18.5	1
42		110-02308	SNAP RING 18.5	1



REF. NO.	NOTE	PART NO.	DESCRIPTION	QTY.
1		110-70851	FACE PLATE ASH.	1
2		110-00304	SCREW 1/8-44 L-4	1
3		SS-4986410-SF	ARM OIL SHIELD ASH.	1
4		110-00858	ARM OIL SHIELD ASH.	1
5		110-00858	ARM OIL SHIELD ASH.	1
6		110-00858	ARM OIL SHIELD ASH.	1
7		110-00858	ARM OIL SHIELD ASH.	1
8		110-00858	ARM OIL SHIELD ASH.	1
9		110-00858	ARM OIL SHIELD ASH.	1
10		110-00858	ARM OIL SHIELD ASH.	1
11		110-00858	ARM OIL SHIELD ASH.	1
12		110-00858	ARM OIL SHIELD ASH.	1
13		110-00858	ARM OIL SHIELD ASH.	1
14		110-00858	ARM OIL SHIELD ASH.	1
15		110-00858	ARM OIL SHIELD ASH.	1
16		110-00858	ARM OIL SHIELD ASH.	1
17		110-00858	ARM OIL SHIELD ASH.	1
18		110-00858	ARM OIL SHIELD ASH.	1
19		110-00858	ARM OIL SHIELD ASH.	1
20		110-00858	ARM OIL SHIELD ASH.	1
21		110-00858	ARM OIL SHIELD ASH.	1
22		110-00858	ARM OIL SHIELD ASH.	1
23		110-00858	ARM OIL SHIELD ASH.	1
24		110-00858	ARM OIL SHIELD ASH.	1
25		110-00858	ARM OIL SHIELD ASH.	1
26		110-00858	ARM OIL SHIELD ASH.	1
27		110-00858	ARM OIL SHIELD ASH.	1
28		110-00858	ARM OIL SHIELD ASH.	1
29		110-00858	ARM OIL SHIELD ASH.	1
30		110-00858	ARM OIL SHIELD ASH.	1
31		110-00858	ARM OIL SHIELD ASH.	1
32		110-00858	ARM OIL SHIELD ASH.	1
33		110-00858	ARM OIL SHIELD ASH.	1
34		110-00858	ARM OIL SHIELD ASH.	1
35		110-00858	ARM OIL SHIELD ASH.	1
36		110-00858	ARM OIL SHIELD ASH.	1
37		110-00858	ARM OIL SHIELD ASH.	1
38		110-00858	ARM OIL SHIELD ASH.	1
39		110-00858	ARM OIL SHIELD ASH.	1
40		110-00858	ARM OIL SHIELD ASH.	1
41		110-00858	ARM OIL SHIELD ASH.	1
42		110-00858	ARM OIL SHIELD ASH.	1

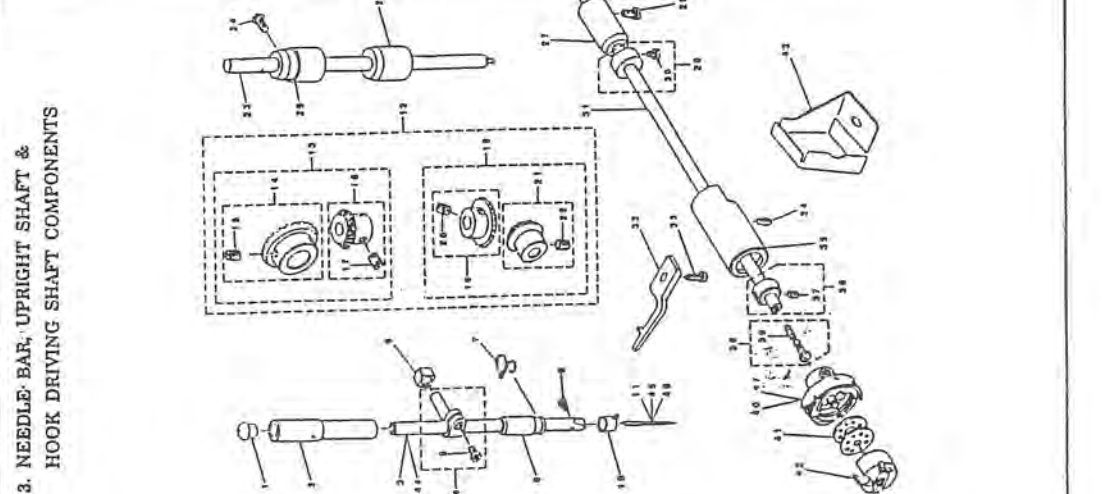
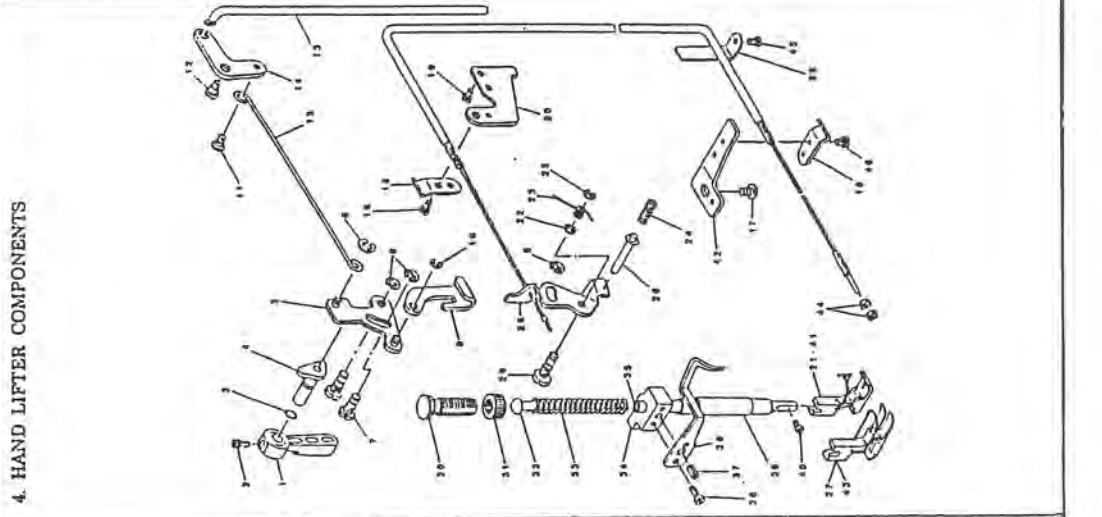
NOTE (SEE) #01.....SELECTIVE PART(A-D)

RICAMBI JUKI DDL-5550 N-7

4

REF. NO.	QTY.	PART NO.	DESCRIPTION	QTY.
1	1	110-71600	HAND LIFTER	1
2	1	B1521-555-000	SCREW	1
3	1	80-0371801-00	RUBBER RING	1
4	1	110-06736	HAND LIFTER CAM ASH.	1
5	1	110-06550	HAND LIFTER LINK	1
6	1	8E-3500000-70	Z-RING	1
7	1	110-06609	LINK SHAFT	1
8	1	8E-0500000-30	Z-RING	1
9	1	110-06502	LIFTING LEVER	1
10	1	110-07399	Z-RING	1
11	1	110-07101	BRIDGE SCREW	1
12	1	89-0720331-3P	CONNECTING ROD VERTICAL	1
13	1	110-07200	LIFTING LEVER LINK	1
14	1	110-07602	LIFTING LEVER CONNECTING ROD	1
15	1	8E-3500000-70	Z-RING	1
16	1	8E-3500000-70	Z-RING	1
17	1	8E-3500000-70	Z-RING	1
18	1	8E-3500000-70	Z-RING	1
19	1	8E-3500000-70	Z-RING	1
20	1	8E-3500000-70	Z-RING	1
21	1	8E-3500000-70	Z-RING	1
22	1	8E-3500000-70	Z-RING	1
23	1	8E-3500000-70	Z-RING	1
24	1	8E-3500000-70	Z-RING	1
25	1	8E-3500000-70	Z-RING	1
26	1	8E-3500000-70	Z-RING	1
27	1	8E-3500000-70	Z-RING	1
28	1	8E-3500000-70	Z-RING	1
29	1	8E-3500000-70	Z-RING	1
30	1	8E-3500000-70	Z-RING	1
31	1	8E-3500000-70	Z-RING	1
32	1	8E-3500000-70	Z-RING	1
33	1	8E-3500000-70	Z-RING	1
34	1	8E-3500000-70	Z-RING	1
35	1	8E-3500000-70	Z-RING	1
36	1	8E-3500000-70	Z-RING	1
37	1	8E-3500000-70	Z-RING	1
38	1	8E-3500000-70	Z-RING	1
39	1	8E-3500000-70	Z-RING	1
40	1	8E-3500000-70	Z-RING	1
41	1	8E-3500000-70	Z-RING	1
42	1	8E-3500000-70	Z-RING	1
43	1	8E-3500000-70	Z-RING	1
44	1	8E-3500000-70	Z-RING	1
45	1	8E-3500000-70	Z-RING	1
46	1	8E-3500000-70	Z-RING	1

REF. NO.	QTY.	PART NO.	DESCRIPTION	QTY.
1	1	B1405-012-000	CAF	1
2	1	B1402-552-000-A	NEEDLE BAR BUSHING, UPPER	1
3	1	110-35003	NEEDLE BAR	1
4	1	B1411-552-000	NEEDLE ROD HOLDER ASH.	1
5	1	SS-5090570-7P	SCREW 7/64-40 Lx6	1
6	1	B1414-555-000	SLIDE BLOCK	1
7	1	110-18801	NEEDLE BAR THREAD GUIDE	1
8	1	110-05105	NEEDLE BAR BUSHING, LOWER	1
9	1	SS-5090570-7P	SCREW 7/64-40 Lx6	1
10	1	SS-5090570-7P	SCREW 7/64-40 Lx6	1
11	1	8E-10081100	NEEDLE BAR THREAD GUIDE	1
12	1	B1306-155-000	GEAR & PINION ASH., UPPER	1
13	1	B1306-155-080	GEAR & PINION ASH., UPPER	1
14	1	B1305-012-000	GEAR ASH.	1
15	1	SS-866010-7P	SCREW 1/4-40 Lx6	1
16	1	B1306-155-000	PINION ASH.	1
17	1	SS-866010-7P	SCREW 1/4-40 Lx6	1
18	1	B1307-155-080	GEAR & PINION ASH., LOWER	1
19	1	B1307-155-000	GEAR ASH., LARGE	1
20	1	SS-866010-7P	SCREW 1/4-40 Lx6	1
21	1	B1308-155-000	PINION ASH.	1
22	1	SS-866010-7P	SCREW 1/4-40 Lx6	1
23	1	110-04009	UPRIGHT SHAFT	1
24	1	SS-4120915-3P	SCREW 3/16-28 Lx9	1
25	1	110-04306	BUSHING, UPPER	1
26	1	110-04207	UPRIGHT SHAFT BUSHING, LOWER	1
27	1	110-15807	BUSHING, REAR	1
28	1	SS-4120915-3P	SCREW 3/16-28 Lx9	1
29	1	CS-079101A-5R	THRUST COLLAR ASH. D=7.94 R=10	1
30	1	SS-8110420-7P	SCREW 1/4-40 Lx4.8	1
31	1	110-15003	HOOK DRIVING SHAFT	1
32	1	110-08809	ROBBIN CASE HOLDER	1
33	1	SS-6111010-3P	SCREW 1/4-40 Lx 9.5	1
34	1	SS-8150432-7R	SCREW 15/64-28 Lx4	1
35	1	110-15104	BUSHING ASH., FRONT	1
36	1	CS-079073A-3R	THRUST COLLAR ASH.	1
37	1	SS-8110410-7P	SCREW 1/4-40 Lx 5.5	1
38	1	B1808-552-000	OLE SHAFT SCREW ASH.	1
39	1	B1810-552-000	OLE YOK	1
40	1	111-41355	HOOK ASH.	1
41	1	8E117-012-000	ROBBIN CASE ASH.	1
42	1	110-38339	ROBBIN CASE ASH.	1
43	1	110-38308	OLE SHIELD	1
44	1	111-41307	WEEDLE BAR	1
45	1	8E-20081100	WEEDLE DYES #14	1
46	1	8E-2008007-50	WEEDLE DIA #5	1
47	1	110-38650	LUBRICATING ROBBIN ASH.	1

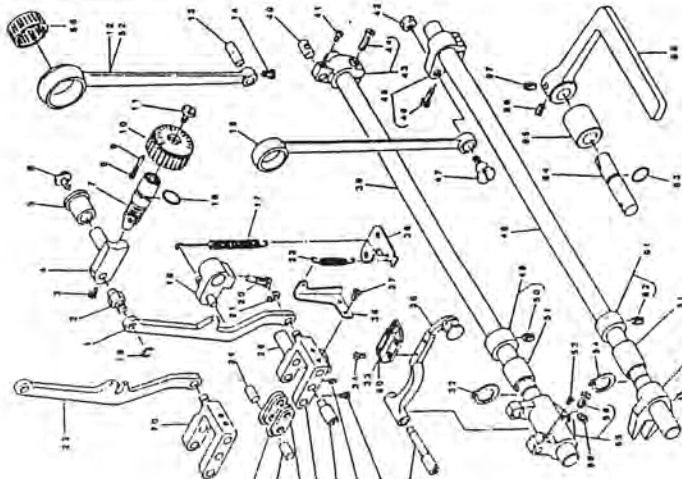


NOTE (SEE):
 #01....FOR JH
 #02....FOR JE
 #03....FOR JD
 #04....FOR JI,JO

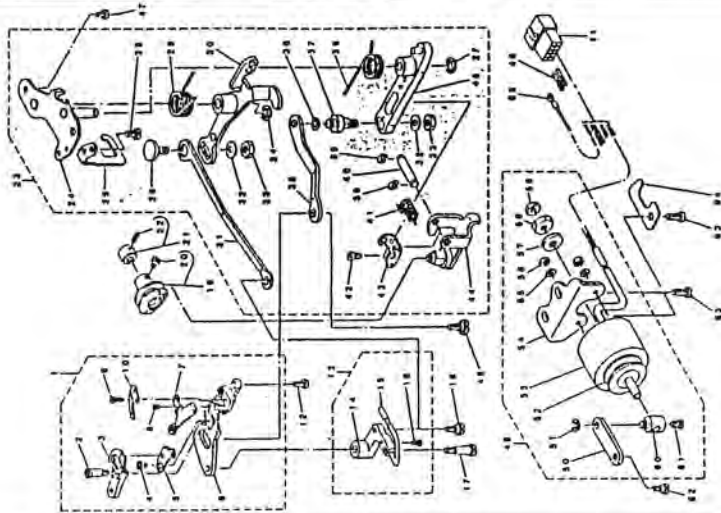
NOTE (SEE):
 #01....FOR JA
 #02....FOR DB,DSL-5500-7-00,-90
 #03....FOR DB,DSL-5500-7-10,-7R
 #04....FOR JN(JN,DL-6500-7-10,-7B)

RICAMBI JUKI DDL-5550 N-7

5. FEED MECHANISM COMPONENTS



6. THREAD TRIMMER COMPONENTS

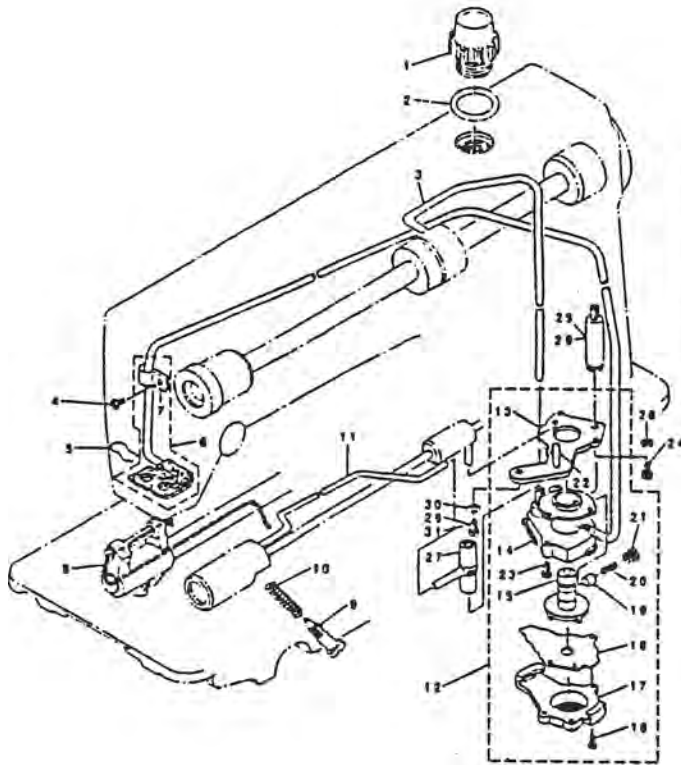


NO.	REF. NO.	PART NO.	DESCRIPTION	QTY.
1	#01	111-0802	FEED SHUTTLE ROD	1
2		110-0942	FEED REGULATOR PIN	1
3		ES-409470-77	SCREW 3/16x-10 L-4	2
4		110-0970	FEED RECLAMATOR BEARING	1
5		110-0971	FEED RECLAMATOR BEARING	1
6		110-0972	FEED RECLAMATOR BEARING	1
7		110-0973	FEED RECLAMATOR BEARING	1
8		110-0974	FEED RECLAMATOR BEARING	1
9		110-0975	FEED RECLAMATOR BEARING	1
10		110-0976	FEED RECLAMATOR BEARING	1
11		110-0977	FEED RECLAMATOR BEARING	1
12		110-0978	FEED RECLAMATOR BEARING	1
13		110-0979	FEED RECLAMATOR BEARING	1
14		110-0980	FEED RECLAMATOR BEARING	1
15		110-0981	FEED RECLAMATOR BEARING	1
16		110-0982	FEED RECLAMATOR BEARING	1
17		110-0983	FEED RECLAMATOR BEARING	1
18		110-0984	FEED RECLAMATOR BEARING	1
19		110-0985	FEED RECLAMATOR BEARING	1
20		110-0986	FEED RECLAMATOR BEARING	1
21		110-0987	FEED RECLAMATOR BEARING	1
22		110-0988	FEED RECLAMATOR BEARING	1
23		110-0989	FEED RECLAMATOR BEARING	1
24		110-0990	FEED RECLAMATOR BEARING	1
25		110-0991	FEED RECLAMATOR BEARING	1
26		110-0992	FEED RECLAMATOR BEARING	1
27		110-0993	FEED RECLAMATOR BEARING	1
28		110-0994	FEED RECLAMATOR BEARING	1
29		110-0995	FEED RECLAMATOR BEARING	1
30		110-0996	FEED RECLAMATOR BEARING	1
31		110-0997	FEED RECLAMATOR BEARING	1
32		110-0998	FEED RECLAMATOR BEARING	1
33		110-0999	FEED RECLAMATOR BEARING	1
34		110-1000	FEED RECLAMATOR BEARING	1
35		110-1001	FEED RECLAMATOR BEARING	1
36		110-1002	FEED RECLAMATOR BEARING	1
37		110-1003	FEED RECLAMATOR BEARING	1
38		110-1004	FEED RECLAMATOR BEARING	1
39		110-1005	FEED RECLAMATOR BEARING	1
40		110-1006	FEED RECLAMATOR BEARING	1
41		110-1007	FEED RECLAMATOR BEARING	1
42		110-1008	FEED RECLAMATOR BEARING	1
43		110-1009	FEED RECLAMATOR BEARING	1
44		110-1010	FEED RECLAMATOR BEARING	1
45		110-1011	FEED RECLAMATOR BEARING	1
46		110-1012	FEED RECLAMATOR BEARING	1
47		110-1013	FEED RECLAMATOR BEARING	1
48		110-1014	FEED RECLAMATOR BEARING	1
49		110-1015	FEED RECLAMATOR BEARING	1
50		110-1016	FEED RECLAMATOR BEARING	1
51		110-1017	FEED RECLAMATOR BEARING	1
52		110-1018	FEED RECLAMATOR BEARING	1
53		110-1019	FEED RECLAMATOR BEARING	1
54		110-1020	FEED RECLAMATOR BEARING	1
55		110-1021	FEED RECLAMATOR BEARING	1
56		110-1022	FEED RECLAMATOR BEARING	1
57		110-1023	FEED RECLAMATOR BEARING	1
58		110-1024	FEED RECLAMATOR BEARING	1
59		110-1025	FEED RECLAMATOR BEARING	1
60		110-1026	FEED RECLAMATOR BEARING	1
61		110-1027	FEED RECLAMATOR BEARING	1
62		110-1028	FEED RECLAMATOR BEARING	1
63		110-1029	FEED RECLAMATOR BEARING	1
64		110-1030	FEED RECLAMATOR BEARING	1
65		110-1031	FEED RECLAMATOR BEARING	1
66		110-1032	FEED RECLAMATOR BEARING	1
67		110-1033	FEED RECLAMATOR BEARING	1
68		110-1034	FEED RECLAMATOR BEARING	1
69		110-1035	FEED RECLAMATOR BEARING	1
70		110-1036	FEED RECLAMATOR BEARING	1

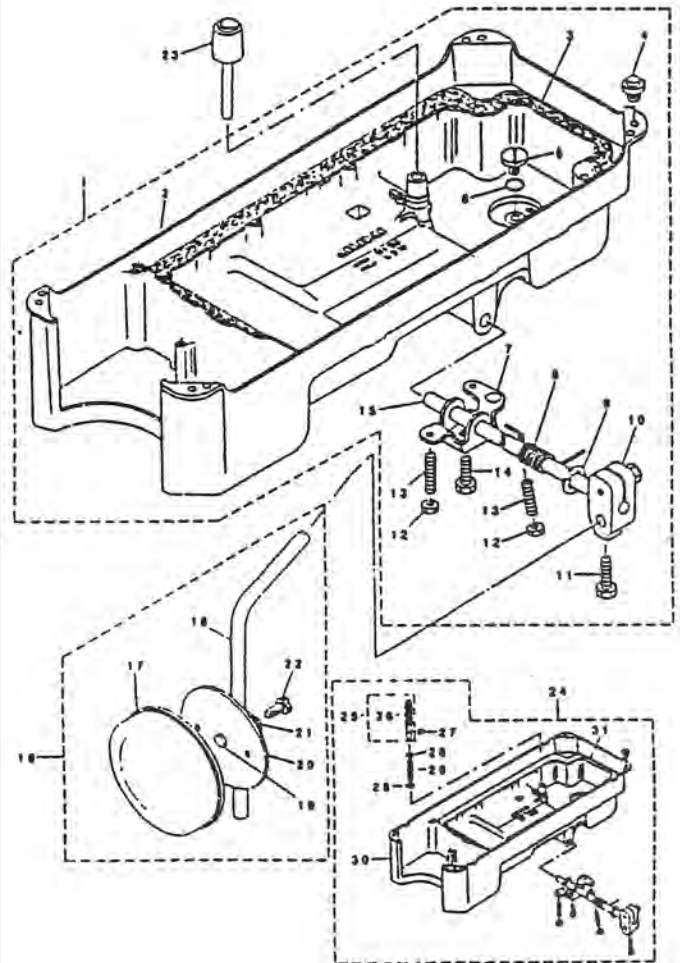
NO.	REF. NO.	PART NO.	DESCRIPTION	QTY.
1		110-0338	KNIFE UNIT	1
2		50-04670-77	RING SCREW D-4.6 R-7	1
3		110-4050	FORGED BASE FOR KNIFE	1
4		110-4049	MOVING KNIFE RING SCREW	1
5		110-4052	MOVING KNIFE ASB.	1
6		110-4050	KNIFE POSITIONING ASB.	1
7		55-080210-57	SCREW 1/2x-10 L-4.3	1
8		55-080210-77	SCREW 1/2x-10 L-4.3	1
9		2108-555-208	COUNTER NUT	1
10		21-284191-00	SCREW 11/8x-10 L-7	1
11		55-110715-27	SCREW 1/2x-10 L-4.3	1
12		110-4250	PICTURE ASB.	1
13		110-4250	PICTURE ASB.	1
14		110-4250	PICTURE ASB.	1
15		110-4255	TRIMMER 7/16x-10 L-4.3	1
16		25-080210-27	SCREW 7/16x-10 L-4.3	1
17		55-080210-57	RING SCREW D-4.3 R-11.5	1
18		55-080210-77	RING SCREW D-4.3 R-11.5	1
19		55-080210-77	RING SCREW D-4.3 R-11.5	1
20		55-080210-77	RING SCREW D-4.3 R-11.5	1
21		110-4255	TRIMMER 7/16x-10 L-4.3	1
22		55-110250-77	SCREW 11/8x-10 L-4.3	1
23		110-4254	TRIMMER TRIMMER DRIVING UNIT	1
24		110-4254	TRIMMER TRIMMER DRIVING UNIT	1
25		110-4254	TRIMMER TRIMMER DRIVING UNIT	1
26		110-4254	TRIMMER TRIMMER DRIVING UNIT	1
27		110-4254	TRIMMER TRIMMER DRIVING UNIT	1
28		110-4254	TRIMMER TRIMMER DRIVING UNIT	1
29		110-4254	TRIMMER TRIMMER DRIVING UNIT	1
30		110-4254	TRIMMER TRIMMER DRIVING UNIT	1
31		110-4254	TRIMMER TRIMMER DRIVING UNIT	1
32		110-4254	TRIMMER TRIMMER DRIVING UNIT	1
33		110-4254	TRIMMER TRIMMER DRIVING UNIT	1
34		110-4254	TRIMMER TRIMMER DRIVING UNIT	1
35		110-4254	TRIMMER TRIMMER DRIVING UNIT	1
36		110-4254	TRIMMER TRIMMER DRIVING UNIT	1
37		110-4254	TRIMMER TRIMMER DRIVING UNIT	1
38		110-4254	TRIMMER TRIMMER DRIVING UNIT	1
39		110-4254	TRIMMER TRIMMER DRIVING UNIT	1
40		110-4254	TRIMMER TRIMMER DRIVING UNIT	1
41		110-4254	TRIMMER TRIMMER DRIVING UNIT	1
42		110-4254	TRIMMER TRIMMER DRIVING UNIT	1
43		110-4254	TRIMMER TRIMMER DRIVING UNIT	1
44		110-4254	TRIMMER TRIMMER DRIVING UNIT	1
45		110-4254	TRIMMER TRIMMER DRIVING UNIT	1
46		110-4254	TRIMMER TRIMMER DRIVING UNIT	1
47		110-4254	TRIMMER TRIMMER DRIVING UNIT	1
48		110-4254	TRIMMER TRIMMER DRIVING UNIT	1
49		110-4254	TRIMMER TRIMMER DRIVING UNIT	1
50		110-4254	TRIMMER TRIMMER DRIVING UNIT	1
51		110-4254	TRIMMER TRIMMER DRIVING UNIT	1
52		110-4254	TRIMMER TRIMMER DRIVING UNIT	1
53		110-4254	TRIMMER TRIMMER DRIVING UNIT	1
54		110-4254	TRIMMER TRIMMER DRIVING UNIT	1
55		110-4254	TRIMMER TRIMMER DRIVING UNIT	1
56		110-4254	TRIMMER TRIMMER DRIVING UNIT	1
57		110-4254	TRIMMER TRIMMER DRIVING UNIT	1
58		110-4254	TRIMMER TRIMMER DRIVING UNIT	1
59		110-4254	TRIMMER TRIMMER DRIVING UNIT	1
60		110-4254	TRIMMER TRIMMER DRIVING UNIT	1
61		110-4254	TRIMMER TRIMMER DRIVING UNIT	1
62		110-4254	TRIMMER TRIMMER DRIVING UNIT	1
63		110-4254	TRIMMER TRIMMER DRIVING UNIT	1
64		110-4254	TRIMMER TRIMMER DRIVING UNIT	1
65		110-4254	TRIMMER TRIMMER DRIVING UNIT	1
66		110-4254	TRIMMER TRIMMER DRIVING UNIT	1
67		110-4254	TRIMMER TRIMMER DRIVING UNIT	1
68		110-4254	TRIMMER TRIMMER DRIVING UNIT	1
69		110-4254	TRIMMER TRIMMER DRIVING UNIT	1
70		110-4254	TRIMMER TRIMMER DRIVING UNIT	1

RICAMBI JUKI DDL-5550 N-7

9. OIL LUBRICATION COMPONENTS



10. OIL RESERVOIR COMPONENTS



REF. NO.	NOTE	PART NO.	DESCRIPTION	Qty.
1		110-46604	OIL SIGHT WINDOW	1
2		RO-1952401-00	RUBBER RING	1
3		110-21201	MAIN SHAFT OIL TUBE	1
4		SS-4120615-SP	SCREW 3/16-28 L=6	1
5		B3529-226-000	OIL FELT PRESSER	1
6		110-21151	OIL RETURN TUBE ASM.	1
7		B3536-122-000	HOLDER	(1)
8		CQ-2520000-00	OIL WICK	0.21
9		B3514-412-000	OIL ADJUSTING SCREW	1
10		B2616-172-000	SPRING	1
11		110-21300	OIL TUBE	1
12		110-20054	LUBRICATING OIL PUMP ASM.	1
13		110-20302	OIL PUMP INSTALLING BASE	(1)
14		110-20005	OIL PUMP	(1)
15		110-20708	OIL PUMP IMPELLER	(1)
16		SE-4301041-SR	SCREW 9-3 L=10	(3)
17		110-20203	LUBRICATING OIL PUMP COVER	(1)
18		110-20807	OIL PUMP IMPELLER COVER	(1)
19		110-20401	PLUNGER	(1)
20		110-20609	PLUNGER SPRING	(1)
21		110-20500	PLUNGER SCREW	(1)
22		110-20906	HOOK DRIVING SHAFT OIL TUBE	(1)
23		SL-4030851-SF	SCREW M3 L=8	(3)
24		SS-6111010-TP	SCREW 11/64-40 L= 9.5	1
25	#01	111-00609	OIL PUMP SUPPORT	1
26	#01	SS-4151215-SP	SCREW 15/64-28 L=12	1
27		110-21409	RUBBER JOINT	1
28	#01	VS-0451040-KP	SPRING WASHER 4.5X8.5X1	1
29	#02	113-92107	OIL PUMP SUPPORT	1
30	#01	VS-0651310-KP	SPRING WASHER 6.5X11X1.3	1
31	#02	SS-4150916-SP	SCREW 15/64-28 L=9	1

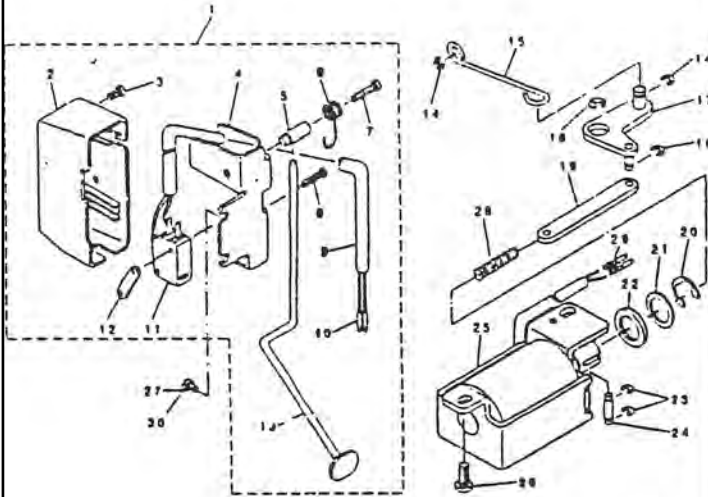
NOTE (注記) #01....FOR DDL-5550N-7-0B,-VB
#02....FOR DDL-5550N-7-00,-V0

REF. NO.	NOTE	PART NO.	DESCRIPTION	Qty.
1		110-47057	OIL RESERVOIR ASM.	1
2		110-23017	OIL RESERVOIR	(1)
3		110-24700	GASKET	(1)
4		110-47107	RUBBER CUSHION	(4)
5		SS-5700710-SH	SCREW 5/16-24 L=7	(1)
6		RO-0982401-00	RUBBER RING	(1)
7		110-24015	CONNECTING ROD, VERTICAL	(1)
8		110-24106	SPRING	(1)
9		RE-1000000-KO	E-RING 10	(1)
10		110-24510	KNEE PRESS LOD BEARING BRACKET	(1)
11		SW-9062063-SR	SCREW 9/32-20 L=20	(2)
12		NM-6060001-SE	NUT 15/64-28	(2)
13		SW-8063012-TE	SCREW 15/64-28 L=30	(2)
14		SW-9061863-SR	SCREW	(1)
15		110-24206	KNEE PRESS ROD	(1)
16		110-23751	KNEE PRESS PLATE ASM.	1
17		B3431-552-000-A	KNEE PRESS PLATE COVER	(1)
18		B3419-122-000	KNEE LIFTER PLATE ROD	(1)
19		110-24403	RUBBER	(1)
20		110-23702	KNEE PRESS PLATE	(1)
21		110-23801	KNEE PRESS PLATE HOLDER	(1)
22		SW-9061203-SE	SCREW 15/64-28 L=16	(1)
23		110-24304	KNEE PRESS LIFTER ROD	1
24	#01	111-41454	OIL RESERVOIR ASM.	1
25	#01	GAK-30001080	KNEE PRESS LIFTER ROD ASM.	(1)
26	#01	GAK-30004000	KNEE PRESS LIFTER ROD	(1)
27	#01	RE-0400000-ZO	E-SHAPED SNAP RING (4MM)	(1)
28	#01	WP-0821016-SD	WASHER 6.2X13X1	(2)
29	#01	GAK-30006000	SPRING	(1)
30	#01	111-41413	OIL RESERVOIR	(1)
31	#01	111-41900	GASKET	(1)

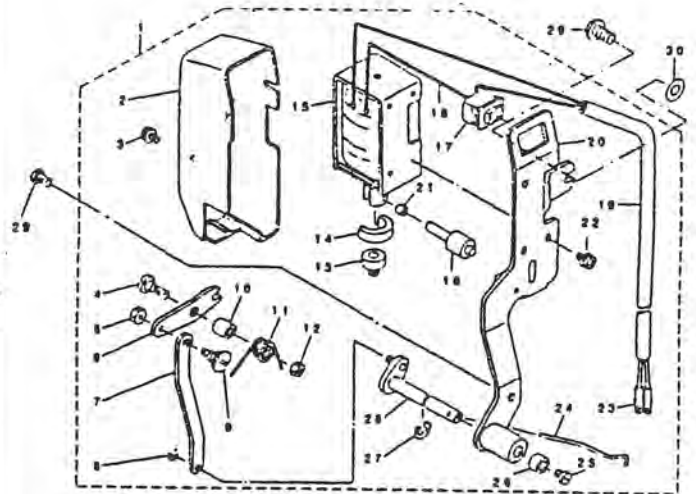
NOTE (注記) #01....FOR JE

RICAMBI JUKI DDL-5550 N-7

7. AUTOMATIC REVERSE FEED COMPONENTS



8. WIPER COMPONENTS

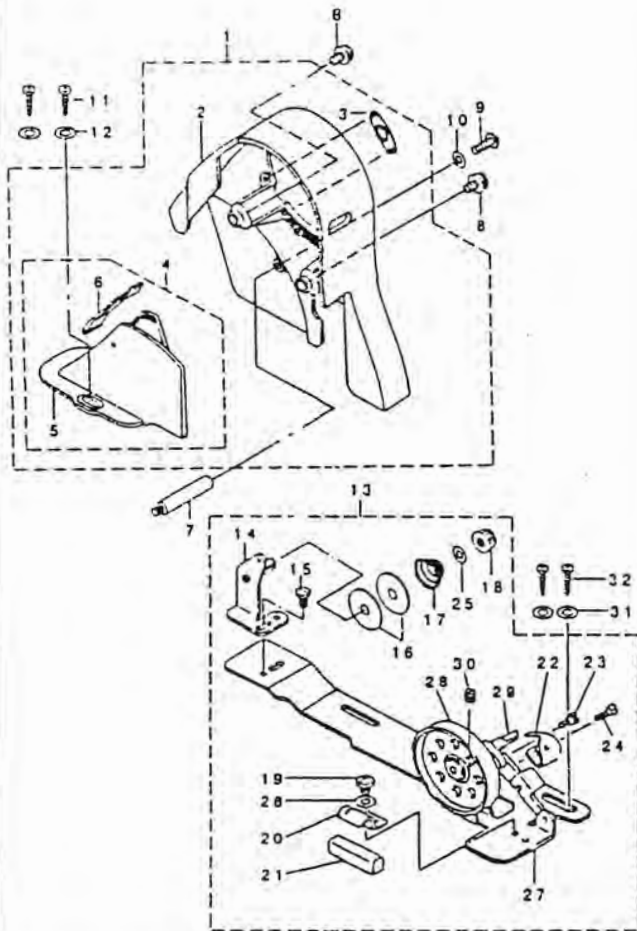


REF. NO.	NOTE	PART NO.	DESCRIPTION	Qty.
1		110-75064	REVERSE FEED SWITCH ASS.	1
2		110-72501	REVERSE FEED SWITCH COVER	(1)
3		SS-4110816-SP	SCREW 11/44-40 L-4	(1)
4		111-02091	REVERSE FEED SWITCH BASE	(1)
5		111-02100	REVERSE FEED SWITCH SHAFT	(1)
6		111-70228	REVERSE FEED SWITCH SPRING	(1)
7		SS-4110816-SP	SCREW 11/44 L-10	(1)
8		SS-4031501-3C	SCREW 13 L-15	(2)
9		RV-5000700-00	3-CORE CABLET CORD	(1, 3)
10		RE-0346400-08	PIR CONTACT	(2)
11		RA-3019900-00	REVERSE SWITCH	(1)
12		111-023708	REVERSE SWITCH PLATE	(1)
13		110-73409	REVERSE FEED SWITCH LEVER	(1)
14		RE-0400000-EP	2-RING 8	(1)
15		111-01309	REVERSE FEED CONNECTING SHAFT	(1)
16		RE-0900000-L0	2-RING 8	(1)
17		111-01181	CONNECTING ARM ASS.	(1)
18		RE-0400000-EP	2-RING 4	(1)
19		111-01417	REVERSE FEED CONNECTING LINE	(1)
20		RE-1200000-E0	2-RING 12	(1)
21		RP-1002218-32	WASHER 16X22X1.6	(1)
22		02464-558-800	RUBBER PLUNGER	(1)
23		RE-0400000-E0	2-BRAIDED SHAF RING (4BW)	(1)
24		111-01003	FLANGES ARM PIR	(1)
25		111-02753	REVERSE FEED PACKET ASS.	(1)
26		SS-4110816-SP	SCREW 15/64-28 L-12	(1)
27		SS-4130916-EP	SCREW 2/16-28 L-9	(1)
28		112-17801	VALVERO FOOT SPRING	(1)
29		RE-0346400-08	PIR CONTACT	(1)
30	#01	SS-4120618-SP	SCREW 2/16-28 L-8	(1)
NOTE (PER)			#01... FOR DDL-5550N-7-08	

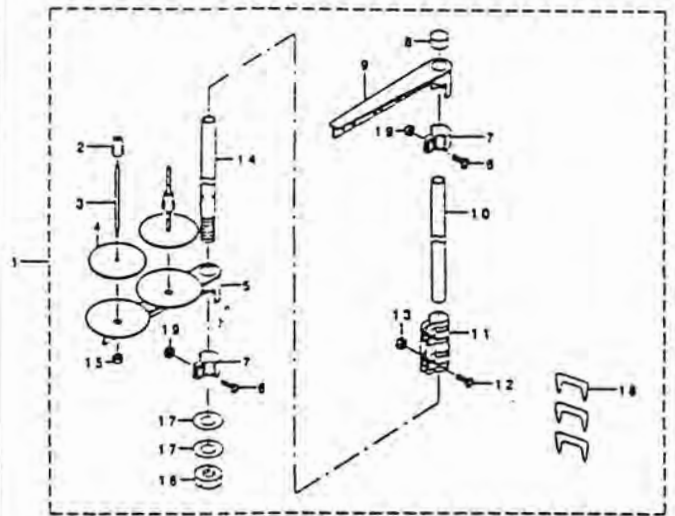
REF. NO.	NOTE	PART NO.	DESCRIPTION	Qty.
1		110-78157	WIPER ASS.	1
2		110-72704	WIPER COVER	(1)
3		BL-4030411-05	SCREW 13 X 6	(1)
4		SS-0860281-7P	RING SCREW 9-6.2 X-3.2	(1)
5		RS-0090310-EP	WUT 9/64-40	(1)
6		111-10454	WIPER LINE 2	(1)
7		111-10906	CONDUCTING LINE	(1)
8		RE-0260000-E0	2-RING 2.5	(1)
9		111-11887	WIPER LINE 3, RING SCREW	(1)
10		111-10187	WIPER RING SCREW COLLAR	(1)
11		111-10804	WIPER SPRING	(1)
12		RS-0110810-EP	WUT 11/64-40	(1)
13		111-10400	WIPER SCREW 4	(1)
14		111-10609	WIPER SCREW 2	(1)
15		111-10201	WIPER BOLENOLD	(1)
16		111-12004	WIPER BOLENOLD PIR	(1)
17		RA-0000900-00	POWER SWITCH	(1)
18		RV-5000700-00	ELECTRIC WIRE	(9, 04)
19		RV-5000700-00	3-CORE CABLET CORD	(1, 3)
20		111-10152	WIPER BASE ASS.	(1)
21		111-11804	WIPER LINE COLLAR	(1)
22		BL-4030411-05	SCREW 12 X 8	(2)
23		RE-0346400-08	PIR CONTACT	(2)
24		111-11600	WIPER	(1)
25		SS-6000200-EP	SCREW 9/64-40 L-8.0	(1)
26		111-11309	WASHER INSTALLING COLLAR	(1)
27		RE-0400000-E0	2-RING	(1)
28		111-11061	WIPER DRIVING SHAFT ASS.	(1)
29		SS-4130916-EP	SCREW 2/16-28 L-9	(1)
30	#01	RP-0462084-50	WASHER 4.0X11.0X3	(1)
NOTE (PER)			#01... FOR DDL-5550N-7-08	

RICAMBI JUKI DDL-5550 N-7

11. BELT COVER & BOBBIN WINDER COMPONENTS



12. THREAD STAND COMPONENTS



REF. NO.	NOTE	PART NO.	DESCRIPTION	Qty.
1		111-85055	THREAD STAND ASM.	1
2		111-85501	SPOOL RETAINER	(2)
3		B3320-704-250-A	SPOOL PIN	(2)
4		B3311-012-000	SPOOL REST CUSHION	(2)
5		111-95004	SPOOL REST ARM	(1)
6		SW-4051405-SE	SCREW M6 L-16	(2)
7		111-85402	THREAD GUIDE ARM JOINT	(2)
8		B3311-704-000	SPOOL REST ROD RUBBER CAP	(1)
9		111-85352	THREAD GUIDE ASM.	(1)
10		111-85204	SPOOL REST ROD, UPPER	(1)
11		B3305-704-000-A	SPOOL REST ROD JOINT	(1)
12		SW-4051405-SE	SCREW M5 L-14	(2)
13		NW-6050007-SE	NUT M5	(2)
14		111-85105	SPOOL REST ROD, LOWER	(1)
15		NW-6050007-SE	NUT M5	(2)
16		B3317-704-000	NUT	(1)
17		WP-161267-6-SE	WASHER 17X30X2.6	(2)
18		MA0-11532000	CORD STAPLE	(2)
19		NW-6050007-SE	NUT M5	(2)

REF. NO.	NOTE	PART NO.	DESCRIPTION	Qty.
1		110-76650	BELT COVER ASM. (URBANE GREY)	1
2		110-76601	BELT COVER A	(1)
3		110-76700	BELT COVER A CAP	(1)
4		110-76458	BELT COVER B ASM.	(1)
5		110-76409	BELT COVER B	(1)
6		110-75957	BELT COVER B CAP ASM.	(1)
7		110-23504	BELT COVER SUPPORT, A	2
8		110-25202	BELT COVER A SCREW	2
9		SS-4121115-SP	SCREW 3/16-28 L-14	1
10		WP-0501016-SD	WASHER 13X10.5X1	1
11		SK-5412060-SC	WOOD SCREW D=4.1 L=30	2
12		WP-0450028-SC	WASHER 4.5X10X0.8	2
13		110-72567	BOBBIN WINDER COMPL.	1
14		110-74250	THREAD TENSION BRACKET ASM.	(1)
15		SS-7110060-SP	SCREW 11/64-40 L-7.8	(1)
16		B51247317-000	THREAD TENSION JIB	(2)
17		B3129-012-800	THREAD TENSION SPRING	(1)
18		110-72204	TENSION NUT	(1)
19		SS-4110515-SP	SCREW 11/64-40 L-3.8	(1)
20		110-78102	PROFESSOR PLATE	(1)
21		B3317-655-000	ADJUSTER BRIDGE	(1)
22		110-78003	POSITIONING FINGER	(1)
23		SD-0430261-SP	HINGE SCREW D=4.9 H=2.8	(1)
24		SS-7081310-SP	SCREW 1/8-44 L-10.5	(1)
25		WP-0651061-SD	WASHER	(1)
26		WP-0430252-SP	WASHER 4.5X8.1X0.8	(1)
27		110-72508	BOBBIN BASE	(1)
28		110-77608	BOBBIN PULLEY	(1)
29		B3304-665-000	BOBBIN WINDER POST	(1)
30		SS-8110510-SP	SCREW 11/64-40 L-6	(1)
31		WP-0450028-SC	WASHER 4.5X10X0.8	2
32		SK-5412060-SC	WOOD SCREW D=4.1 L=30	2



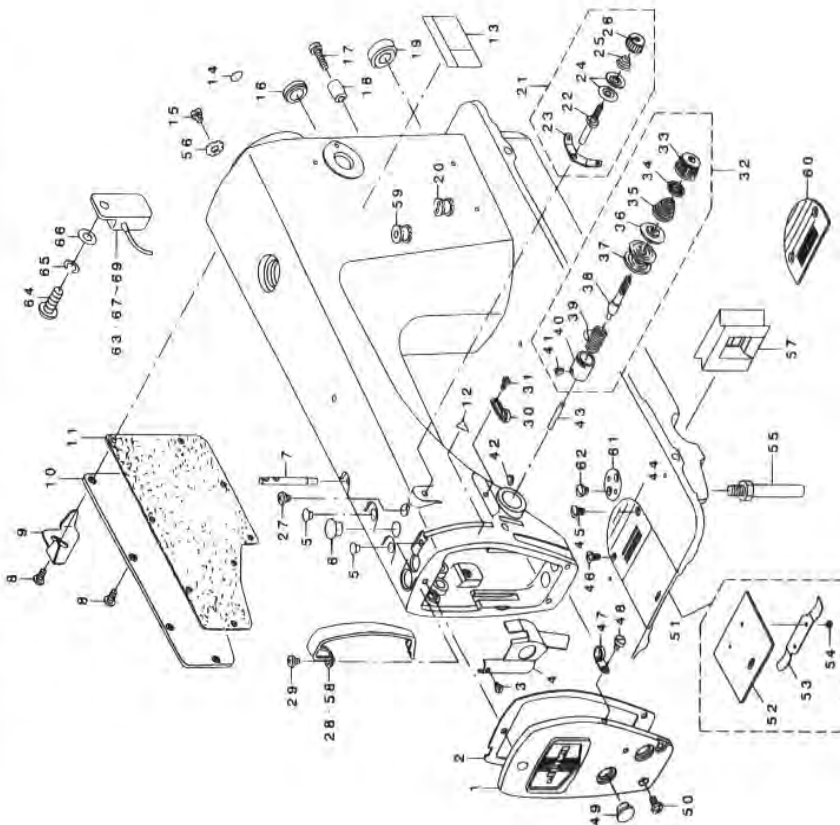
Filarelli da banco carterizzati Juki

D3201-555-DAO

JUKI®
 High-speed, 1-Needle, Lockstitch Industrial Sewing
 Machine with Automatic Thread Trimmer

DDL-8700-7 Series PARTS LIST

1. MACHINE FRAME & MISCELLANEOUS COVER COMPONENTS



REF. NO	NOTE	PART NO.	D E S C R I P T I O N	Qty
1		229-02159	FACE PLATE ASM	1
2		229-02209	FACE PLATE AGSKET	1
3		SS-6086410-SP	SCREW 1/8-44 L=6	1
4		229-00757	ARM OIL SHIFLD ASM.	1
5		TA-0850604-RO	RUBBER PLUG	2
6		TA-1250708-RO	RUBBER PLUG	1
7		229-58300	THREAD GUIDE	1
8		SS-4120915-SP	SCREW 3/16-28 L=9	8
9	#05	229-54705	CORD HOLDER	1
10		229-00401	SIDE PLATE	1
11		110-00619	BASKET	1
12	#01	CM-3002000-01	ATTENTION SEAL	1
13	#06	CM-3002001-A1	SAFETY LABEL .3 (SMALL)	1
14		229-01805	GROUND MARK	1
15		SS-4120615-SP	SCREW 3/16-28 L=6	1
16	#02	TA-2000502-RO	RUBBER PLUG	1
17		SS-6121840-SP	SCREW 3/16-28 L=18	1
18	#02	229-52501	REVERSE FEED LEVER STOPPER	1
19		TA-2101002-RO	RUBBER PLUG	1
20	#02	229-35308	MAGNET CORD RUBBER	1
21		229-45435	THREAD TENSION ASM.	1
22		229-45406	FIRST TENSION POST	(1)
23		229-45604	THREAD TENSION GUIDE	(1)
24		229-45802	ROBBIN WINDER TENSION DISC	(2)
25		229-45605	THREAD TENSION SPRING	(1)
26		229-21803	THREAD TENSION DISK PRESSER	(1)
27		229-21506	TENSION POST	(2)
28		229-21209	TENSION SPRING	(1)
29		229-21605	TAKE-UP SPRING	(1)
30		229-45307	TENSION POST SOCKET	(1)
31		110-01500	SCREW 9/64-40 L=5.5	(1)
32		229-46356	SCREW 15/64-28 L=7	(1)
33		229-21308	TENSION NUT	(1)
34		229-21407	ROTATING STOPPER	(1)
35		229-21704	TENSION SPRING A	(1)
36		229-21803	THREAD TENSION DISK PRESSER	(1)
37		229-21506	TENSION POST	(2)
38		229-21209	TENSION SPRING	(1)
39		229-21605	TAKE-UP SPRING	(1)
40		229-45307	TENSION POST SOCKET	(1)
41		SS-8030670-SP	SCREW 9/64-40 L=5.5	(1)
42		SS-8150710-SP	SCREW 15/64-28 L=7	(1)
43		B118-552-E00	TENSION RELEASING	(1)
44		B1109-012-10B	THROAT PLATE (1)	(1)
45		SS-2110920-TP	SCREW 11/64-40 L=8.5	(1)
46		SS-2110915-TP	SCREW 11/64-40 L=8.5	(1)
47		229-20807	ARM THREAD GUIDE B	(1)
48		SS-6110610-TP	SCREW 11/64-40 L=6	(1)
49		TA-1250406-RO	RUBBER PLUG D=12.5 L=4	2
50		SS-4120915-SP	SCREW 3/16-28 L=9	3
51		229-01250	SLIDE PLATE ASM.	(1)
52		229-01201	SLIDE PLATE	(1)
53		229-01300	BED SLIDE SPRING	(1)
54		SS-6060210-SP	SCREW 3/32-56 L= 1.9	(2)
55		229-01003	BED SCREW STUD	3
56		WT-0530002-KS	TOOTHED WASHER D=5.3	1
57		229-35407	RUBBER PLATE	1
58	#01	229-01904	THREAD TAKE-UP LEVE COVER	1
59	#03	229-35209	RUBBER BUSHING	1
60	#04	B1109-552-000	THROAT PLATE	1
61		229-02805	RULER STOPPER	1
62		SS-7110540-SP	SCREW 11/64-40 L=5	2
63		M6008-350-AAC	RESISTANCE PACK AC ASM	1
64		SS-4121215-SP	SCREW 3/16-28 L=12	1
65		WS-0510002-KP	SPRING WASHER 5.1X9.2X1.3	1
66		WT-0501016-SB	WASHER 5X10 5X1	1
67	#04	M6008-350-AAA	RESISTANCE PACK AA ASM.	1
68	#01	M6008-350-AAF	RESISTANCE PACK AF ASM.	1
69	#07	M6008-350-AAL	RESISTANCE PACK AL ASM.	1

NOTE

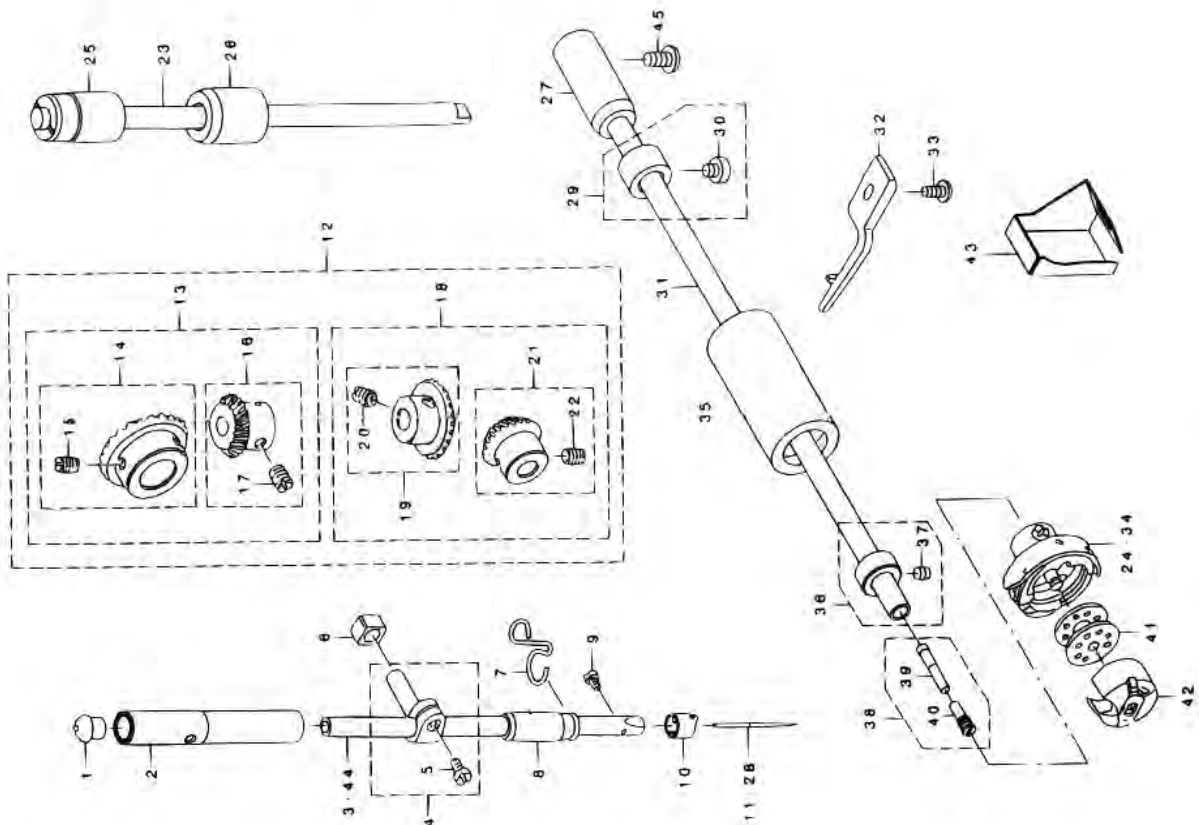
- #01 FOR JE
- #02 FOR DDL-8700-7-0B, -WB
- #03 FOR DDL-8700-7-00
- #04 FOR JA
- #05 EXCEPT DDL-8700-7-00
- #06 EXCEPT JE
- #07 FOR NT

3. NEEDLE BAR, UPRIGHT SHAFT & HOOK DRIVING SHAFT COMPONENTS

REF. NO.	NOTE	PART NO.	D E S C R I P T I O N	Qty.
1		229-01409	CAP	1
2		229-06101	NEEDLE BAR BUSHING, UPPER	1
3		229-39508	NEEDLE BAR	1
4		229-06457	NEEDLE ROD HOLDER ASM.	1
5		SS-6090670-TP	SCREW 9/64-40 L=6	(1)
6		229-06507	SLIDE BLOCK	1
7		229-20805	NEEDLE BAR THREAD GUIDE	1
8		229-06200	NEEDLE BAR BUSHING, LOWER	1
9		SS-7080510-TP	SCREW 1/8-44 L=4.5	1
10		229-06309	NEEDLE BAR THREAD GUIDE	1
11		MDB-100B1400	NEEDLE DBX1 #14	1
12		B1306-155-0C0	GEAR * PINION ASM.	1
13		B1306-155-0B0	GEAR * PINION ASM., UPPER	(1)
14		B1305-012-0A0	GEAR ASM.	(1)
15		SS-8660810-TP	SCREW 1/4-40 L=8	(2)
16		B1306-155-0A0	PINION ASM.	(1)
17		SS-8660810-TP	SCREW 1/4-40 L=8	(2)
18		B1307-155-0B0	GEAR * PINION ASM., LOWER	(1)
19		B1307-155-0A0	GEAR ASM. LARGE	(1)
20		SS-8660810-TP	SCREW 1/4-40 L=8	(2)
21		B1308-155-0A0	PINION ASM.	(1)
22		SS-8660810-TP	SCREW 1/4-40 L=8	(2)
23		229-05004	UPRIGHT SHAFT	1
24		111-41355	HOOK ASM.	1
25		229-05103	UPRIGHT SHAFT BUSHING, LOWER	1
26		229-05202	UPRIGHT SHAFT BUSHING, LOWER	1
27		229-16308	BUSHING, REAR	1
28	#02	MC-2005009-00	NEEDLE 134 90	1
29		229-17157	THRUST COLLAR ASM.	1
30		SS-6110420-TP	SCREW 11/64-40 L=4.8	(2)
31		229-16001	LOWER SHAFT	1
32		229-42502	BOBBIN CASE HOLDER	1
33		SS-4110915-TP	SCREW 11/64-40 L=9	1
34	#01	110-38650	HOOK ASM.	1
35		229-16100	LOWER SHAFT FRONT METAL	1
36		229-17058	THRUST COLLAR ASM.	1
37		SS-8110410-TP	SCREW 11/64-40 L= 3.5	(2)
38		229-16555	OIL SEAL SCREW ASM.	1
39		229-16605	OIL WICK	(1)
40		229-16506	OIL SEAL SCREW	(1)
41		229-32909	BOBBIN	1
42		110-39759	BOBBIN CASE ASM.	1
43		229-42601	OIL SHIELD	1
44	#02	229-39607	NEEDLE BAR B	1
45		SS-4120915-SP	SCREW 3/16-28 L=9	1

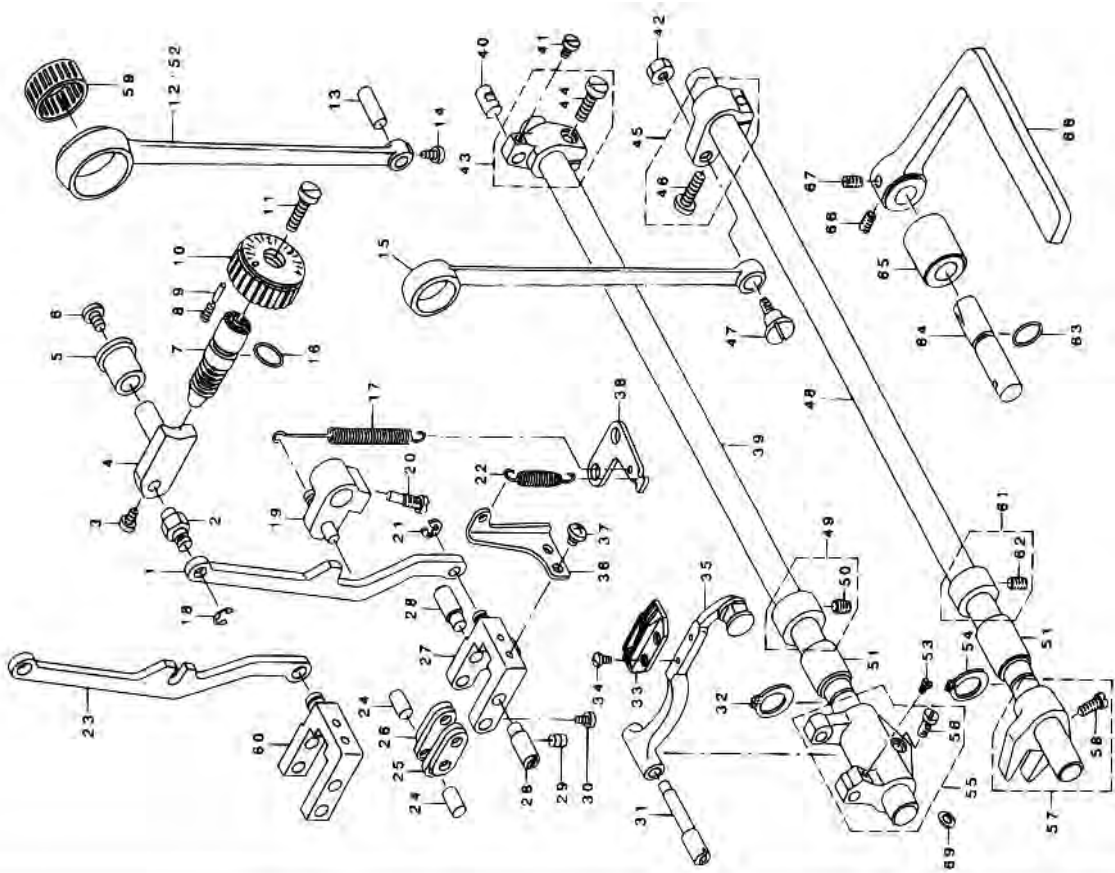
NOTE

#01... FOR ST
#02... FOR JE

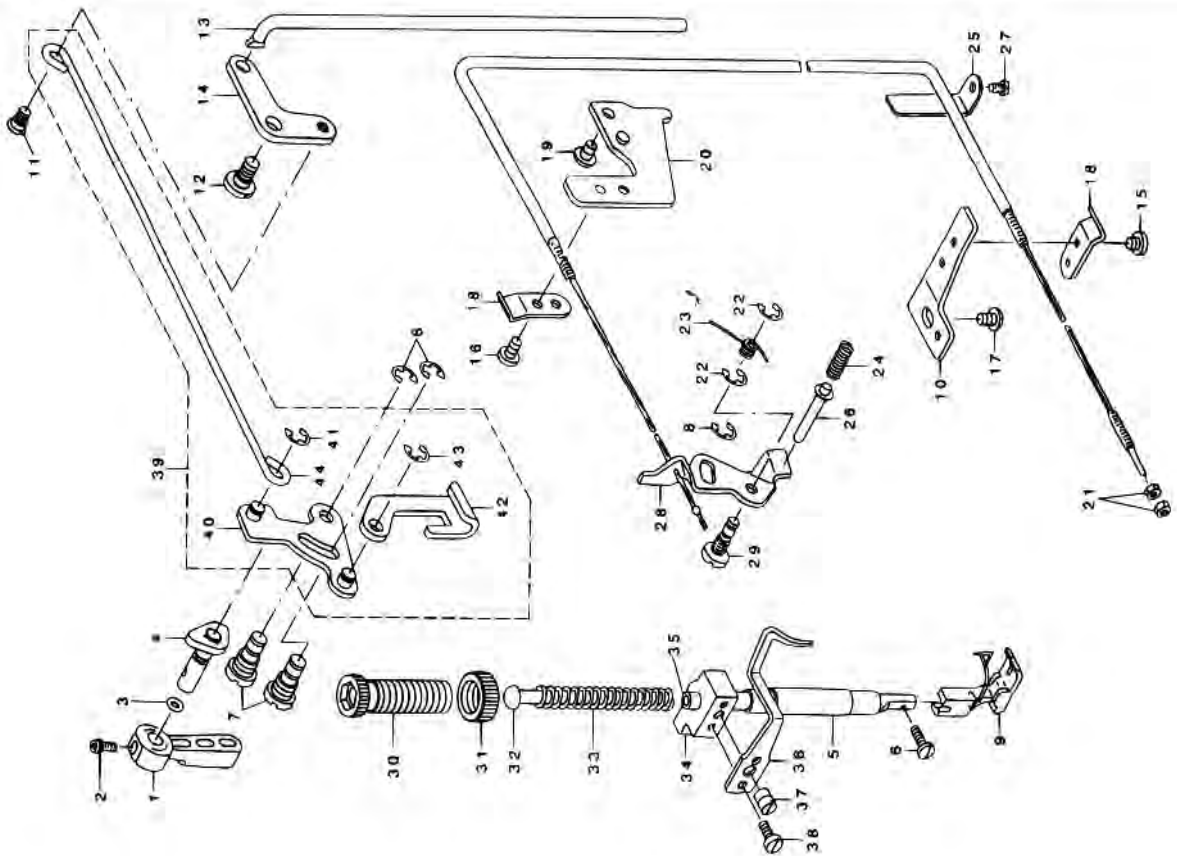


RICAMBI JUKI 8700

5. FEED MECHANISM COMPONENTS



4. HAND LIFTER COMPONENTS



RICAMBI JUKI 8700

REF. NO.	NOTE	PART. NO.	D E S C R I P T I O N	Qty
1	#01	229-41108	FEED ADJUST ROD	1
2		229-11507	FEED REGULATOR PIN	1
3		SS-6090670-TP	SCREW 9/64-40 L=6	2
4		229-11606	FEED REGULATOR	1
5		229-11705	FEED REGULATOR BUSHING	1
6		SS-7120770-SH	SCREW 3/16-28 L=7	1
7		229-11804	FEED REGULATOR SCREW	1
8		229-12109	SPRING	1
9		229-12000	FEED ADJUST PIN	1
10		229-40506	FEED DIAL	1
11		SS-6721860-SP	SCREW 3/16-28 L=18	1
12		229-10262	ROCKER SHAFT CONNECTING ROD	1
13		229-11101	WALKING FOOT PIN C	1
14		SS-6090620-SP	SCREW 9/64-40 L=6	1
15		229-15003	CONNECTING ROD	1
16		WP-0W2770Z-00	RUBBER RING	1
17		229-12406	FEED REVERSE SPRING	1
18		RE-0500000-K0	E-RING	1
19		229-12257	FEED REVERSE ARM ASM.	1
20		229-12505	SCREW	1
21		RE-0500000-K0	E-RING	1
22		110-37405	SPRING	1
23		229-11408	FEED REGULATOR CONNECTING ROD	1
24	#02	229-10905	WALKING FOOT PIN A	1
25		229-10707	CONNECTING LINK B	2
26		229-10608	CONNECTING LINK A	2
27	#01	229-40851	FEED ADJUST LINK ASM	1
28		229-10806	ADJUSTING LINK FULLCRUM SHAFT A	2
29		SS-8150710-SP	SCREW 15/64-28 L=7	2
30		SS-6090620-SP	SCREW 9/64-40 L=6	2
31		229-40803	FEED BAR SHAFT	1
32		RC-0150001-KP	RETAINING RING 13.8	1
33		B1613-012-100	FEED DOG 1	1
34		SS-4080620-TP	SCREW 1/8-44 L=6	2
35		229-40753	FEED BAR ASM	1
36		229-41305	ADJUSTING LINK SPRING GUIDE	1
37		SS-4110515-SP	SCREW 11/64-40 L=5	2
38		228-13701	FEED SPRING HOOK	1
39		228-12901	FEED ROCKER SHAFT	1
40		228-11002	WALKING FOOT PIN B	1
41		SS-6090620-SP	SCREW 9/64-40 L=6	1
42		NS-6680410-SP	NUT 9/32-28	1
43		229-10350	FEED ROCKER SHAFT CRANK ASM.	1
44		SS-6121610-SP	SCREW 3/16-28 L=15.5	(1)
45		229-15151	FEED ARM COMPL.	1
46		SS-7121810-SP	SCREW 3/16-28 L=15.5	(1)
47		SD-1000801-SH	HINGE SCREW D=10 H=8	1
48		228-15201	FEED DRIVING SHAFT	1
49		228-04135	THRUST COLLAR ASM.	1
50		SS-8660610-TP	SCREW 1/4-40 L=6	(2)
51		229-13008	FEED ROCKER SHAFT BUSHING	2
52	#03	229-13800	HORIZONTAL FEED ROD B	1
53		SS-7110740-TP	SCREW 11/64-40 L=7	1
54		RC-0150001-KP	RETAINING RING 13.8	1
55		229-40654	FEED BAR CRANK ASM.	1
56		SS-7121810-TP	SCREW 3/16-28 L=14	(1)
57		229-15359	DRIVING SHAFT CRANK ASM.	1
58	#04	SS-7111120-SP	SCREW 11/64-40 L=10.5	(1)
59	#02	B1636-581-C00	NEEDLE BEARING	1
60		228-10459	WALKING FOOT ADJUSTING LINK	1
61		229-04155	THRUST COLLAR ASM.	1
62		SS-8660610-TP	SCREW 1/4-40 L=6	(2)
63		RO-0781901-00	RUBBER RING	1
64		229-12604	FEED REVERSE SHAFT	1
65		229-12802	FEED LEVER METAL	1
66		SM-8061010-TP	SCREW	1
67		229-12703	REVERSE FEED CONTROL LEVER	1
68		WP-0480856-SP	WASHER 4.8X8.4X0.8	1
69				

NOTE:
 #01 ... FOR DDL-8700-7-0B, -WB
 #02 ... FOR DDL-8700-7-00
 #03 ... FOR JE, JA

REF. NO.	NOTE	PART. NO.	D E S C R I P T I O N	Qty
1		229-07802	HAND LIFTER	1
2		B1521-555-000	SCREW	1
3		RO-0371801-00	RUBBER RING	1
4		229-08552	HAND LIFTER CAM ASM.	1
5		229-07109	PRESSER BAR BUSHING, LOWER	1
6		SS-7091110-SP	SCREW 9/64-40 L=10.5	1
7		110-06509	LINK SHAFT	2
8		RE-0500000-K0	E-RING	3
9		B1524-012-0BA	PRESSER FOOT ASM.	1
10		229-44706	WIRE HOLDER BRACKET, LOWER	1
11		229-08909	HINGE SCREW	1
12		SD-0720331-SP	HINGE SCREW D= 7.24 H= 3.3	1
13		229-09006	KNEE LIFTER CONNECTING ROD	1
14		229-08800	LIFTING LEVER LINK	1
15		SS-7110410-SP	SCREW 11/64-40 L=4	1
16		SS-7110720-SP	SCREW 11/64-40 L=7	1
17	#01	SS-4150915-SP	SCREW 15/64-28 L=9	1
18		229-44508	WIRE HOLDER A	2
19		SS-4120615-SP	SCREW 3/16-28 L=6	1
20		229-44607	WIRE HOLDER BRACKET, UPPER	1
21		NS-6620310-SP	NUT 3/16-32	2
22		RE-0500000-K0	E-RING	2
23		229-20201	TENSION RELEASE RETURN SPRING	1
24		229-20409	THREAD RELEASE PIN SPRING	1
25		229-45109	WIRE CABLE HOLDER	1
26		229-20300	TENSION RELEASE SUPPORTING PIN	1
27		SS-4120615-SP	SCREW 3/16-28 L=6	1
28		229-44854	THREAD RELEASE WIRE ASM.	1
29		110-18108	TENSION RELEASE SHAFT	1
30		229-07505	PRESSER ADJUSTING SCREW	1
31		229-07604	PRESSER ADJUSTING SCREW NUT	1
32		229-07703	PRESSER GUIDE BAR	1
33		229-07406	PRESSER ADJUSTING SPRING	1
34		229-07208	PRESSER BAR GUIDE BRACKET	1
35		229-07000	PRESSER BAR	1
36		229-07307	PRESSER BAR THREAD GUIDE	1
37		SS-8660810-TP	SCREW 1/4-40 L=8	1
38		SS-6090910-SP	SCREW 9/64-40 L=9	2
39		229-08354	KNEE LIFTING CROSS ROD ASM.	1
40		229-08156	HAND LIFTER LINK	1
41		RE-0500000-K0	E-RING	(1)
42		229-08008	LIFTING LEVER	(1)
43		RE-0500000-K0	E-RING	(1)
44		229-08305	KNEE LIFTING CROSS ROD	(1)

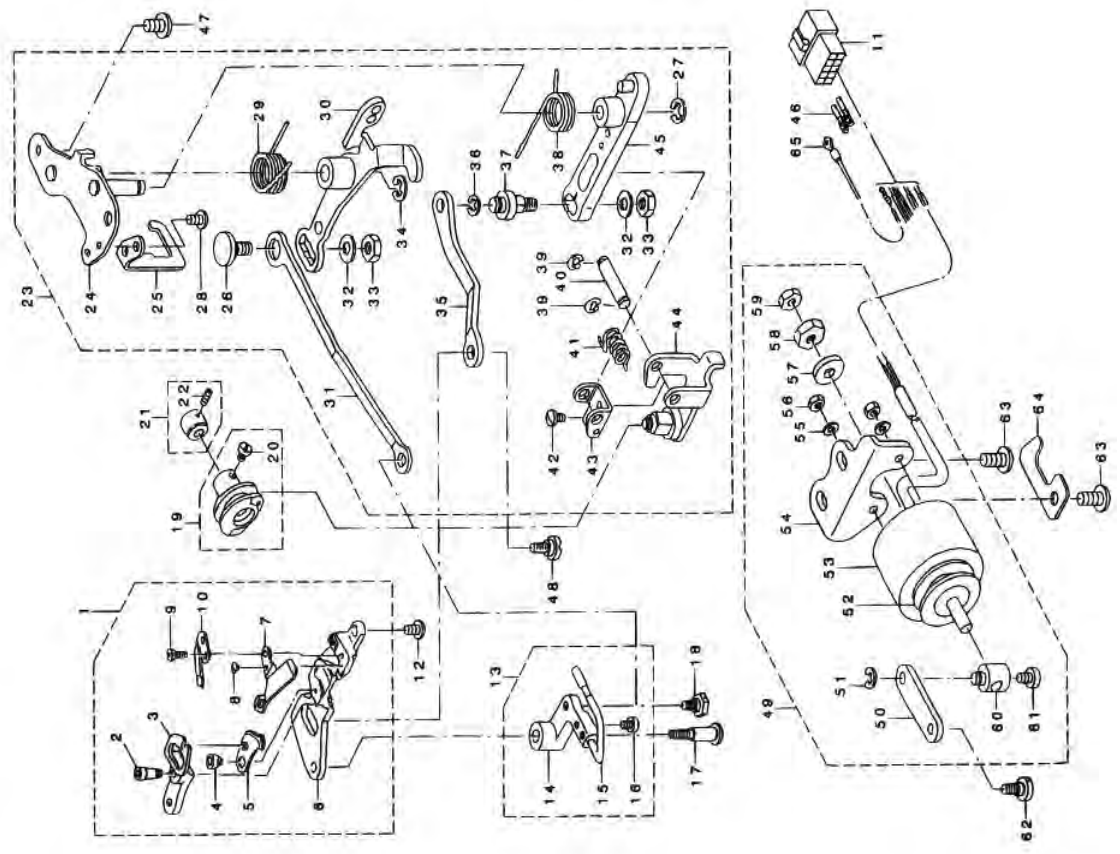
NOTE:
 #01 ... FOR DDL-8700-7-00

RICAMBI JUKI 8700

REF. NO.	NOTE	PART NO.	D E S C R I P T I O N	Qty.
1		110-40359	KNIFE UNIT	1
2		SD-0460703-TP	HINGE SCREW D=4.6 H=7	(1)
3		110-40508	FORKED BASE FOR KNIFE	(1)
4		110-40409	MOVING KNIFE HINGE SCREW	(1)
5		110-40852	MOVING KNIFE ASM.	(1)
6		110-40300	KNIFE MOUNTING BASE	(1)
7		110-40201	THREAD GUIDE FOR KNIFE	(1)
8		SS-2060210-SP	SCREW 3/32-56 L=2.3	(1)
9		SS-4080820-TP	SCREW 1/8-44 L=6	(2)
10		D2406-555-DOH	COUNTER KNIFE	(1)
11		HK-0346101-40	HOUSING 14P	(1)
12		SS-4110715-SP	SCREW 11/64-40 L=7	1
13		229-50257	PICKER ARM ASM.	(1)
14		229-50208	PICKER ARM	(1)
15		229-50356	THREAD TAKE-UP PICKER ASM.	(1)
16		SS-6090510-SP	SCREW 9/64-40 L=5	(2)
17		SD-0641451-SP	HINGE SCREW D=6.35 H=14.5	1
18		SD-0630275-SP	HINGE SCREW D=6.35 H=2.7	1
19		110-42850	THREAD TRIMMER CAM ASM.	1
20		SS-6660610-TP	SCREW 1/4-40 L=6	(2)
21		229-50950	CAM COLLAR ASM.	(1)
22		SS-8110520-TP	SCREW 11/64-40 L=4.5	(1)
23		229-49762	THREAD TRIMMER DRIVING UNIT	(1)
24		229-49754	BASE PLATE ASM.	(1)
25		229-50703	DRIVING ARM STOPPE	(1)
26		229-50000	PICKER LINK PIN	(1)
27		RE-0600000-K0	E-RING 6	(1)
28		SS-4110715-SP	SCREW 11/64-40 L=7	(2)
29		229-49408	CLUTCH SPRING	(1)
30		110-41852	CLUTCH PLATE ASM.	(1)
31		229-50109	PICKER LINK	(1)
32		WP-0621016-SH	WASHER	(2)
33		NS-6150430-SP	NUT 15/64-28	(2)
34		RE-0600000-K0	E-RING 6	(1)
35		229-48301	MOVING KNIFE LINK	(1)
36		RE-0500000-K0	E-RING	(1)
37		229-48400	MOVING KNIFE LINK PIN	(1)
38		229-49309	KNIFE RETURN SPRING B	(1)
39		RE-0400000-K0	E-RING 4	(2)
40		229-49101	ROLLER FULCRUM SHAFT	(1)
41		229-49200	ROLLER FULCRUM SPRING	(1)
42		SS-7090610-SP	SCREW 9/64-40 L=6	(1)
43		229-49002	ROLLER ARM BRACKET	(1)
44		110-40953	ROLLER ARM ASM.	(1)
45		110-40854	KNIFE DRIVING ARM ASM.	(1)
46		HK-0346400-0B	PIN CONTACT	2
47		SS-4150915-SP	SCREW 15/64-28 L=9	2
48		SD-0640531-TP	HINGE SCREW D=6.35 H=6.3	1
49		229-51164	SOLENOID UNIT	1
50		229-49903	CLUTCH LINK	(1)
51		RE-0500000-K0	E-RING	(1)
52		110-43205	SOLENOID RUBBER A	(1)
53		110-43908	THREAD TRIMMER SOLENOID	(1)
54		229-51404	SOLENOID BASE	(1)
55		NM-0450000-SD	WASHER 4.5X6X0.5	(2)
56		NM-6040000-SN	NUT M4	(2)
57		110-43304	SOLENOID RUBBER	(1)
58		NS-6660410-SH	NUT 1/4-40	(1)
59		NS-6660430-SP	NUT 1/4-40	(1)
60		229-51008	SOLENOID PIN	(1)
61		SS-6110710-TP	SCREW 11/64-40 L=6.5	1
62		SD-0600261-SP	HINGE SCREW D=6 H=3.6	2
63		SS-4151215-SP	SCREW 15/64-28 L=12	1
64		229-24807	TUBE HOLDER, LOWER	1
65		229-51552	GROUND WIRE ASM	1

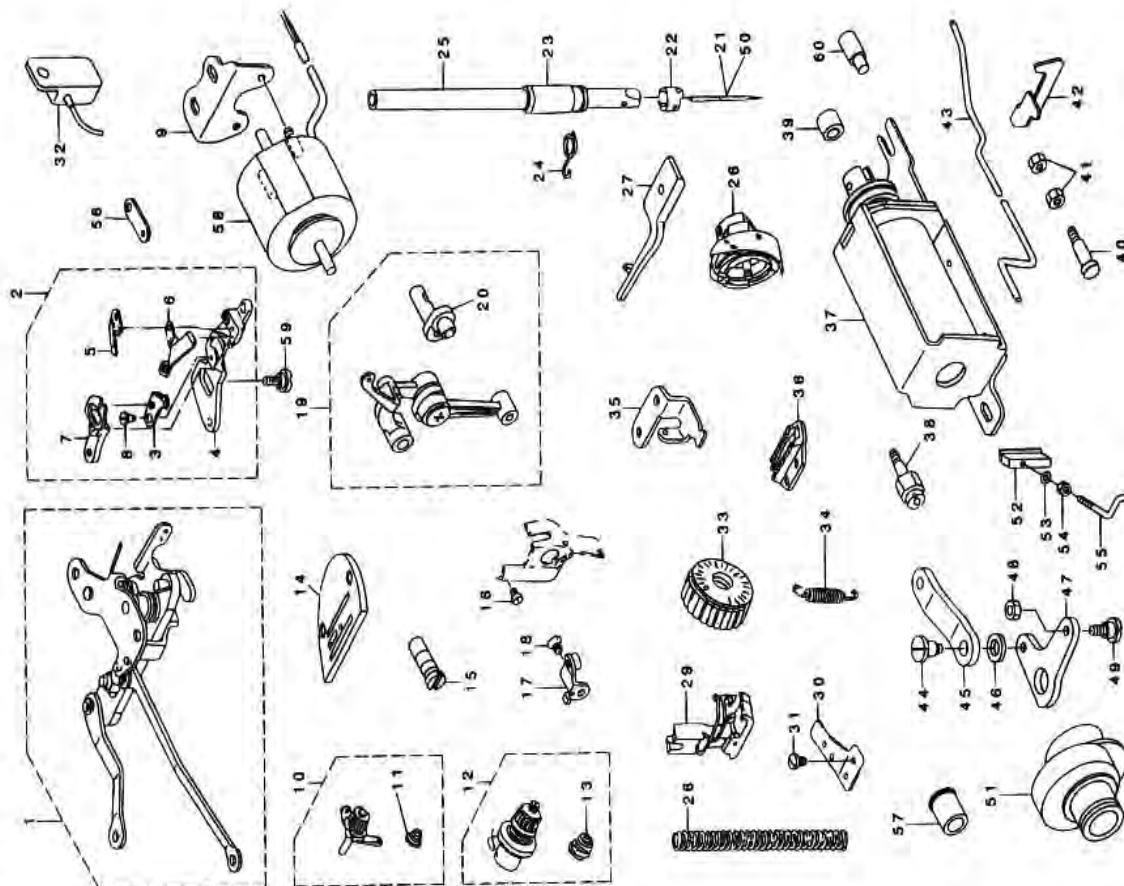
6. THREAD TRIMMER COMPONENTS

糸切り装置関係



RICAMBI JUKI 8700

13. EXCLUSIVE PARTS FOR DDL-8700H-7 DDL-8700H-7



REF. NO.	NOTE	PART NO.	DESCRIPTION	Qty
1		110-96062	THREAD CUTTING DRIVING UNIT	
2		110-95551	KNIFE UNIT	
3		114-09257	MOVING KNIFE J ASM.	(1)
4		110-95502	KNIFE MOUNT BASE	(1)
5		114-09604	FIX KNIFE	(1)
6		110-95403	KNIFE THREAD GUIDE	(1)
7		110-95601	KNIFE BRANCH	(1)
8		SD-0500131-TP	HINGE SCREW D=5 H=1,25	(1)
9		110-94801	SOLENOID BASE	(1)
10		110-93606	THREAD TENSION ASM	
11		110-93606	THREAD TENSION SPRING	
12		110-73657	TUBEAN TENSION ASM	
13		BS114-237-000	TUBEAN TENSION SPRING	
14		114-09177	WAX PLATE	
15		B1213-552-000-A	OIL ADJUSTING PIN	
16		SS-6080320-SP	SCREW 1/8" L=2,5	
17	#02	110-95254	LEVER STOPPER ASM.	
18		SS-1120710-3P	SCREW 3/16" L=6,5	
19		110-91659	LINK THREAD TAKE-UP LEVER ASM.	
20		110-91600	NEEDLE BAR CRANK H	(1)
21		W09-100B2100	NEEDLE DEXI P21	
22		B1418-415-100	NEEDLE BAR THREAD GUIDE	
23		229-70305	NEEDLE BAR RUSHING LOWER	
24		B1419-553-000	NEEDLE BAR THREAD GUIDE	
25		229-70206	NEEDLE BAR	
26		110-92251	LUBRICATING ROBBIN ASM.	
27		229-62401	POSITIONING FINGER H	
28		B1505-552-000-A	PRESSER SPRING	
29		D1524-553-ERL	PRESSER FOOT ASM.	
30	#02	112-30901	WIRE PRESSER PLATE, B	
31	#02	SS-710740-TP	SCREW 11/84" L=7	
32		RS6009-350-AAA	RESISTANCE PACK AA ASM.	
33		229-11803	FEED DIAL	
34		110-91204	ADJUST LINK SPRING	
35		229-62203	FEED SPRING HOOK	
36		114-03003	FEED J	
37		110-96658	SOLENOID MOUNTING BASE ASM.	
38		112-31503	OIL PUMP SUPPORT	
39		#02 112-28103	REVERSE FEED BASE COLLAR	
40		#02 229-62906	PLUNGER ARM PIN	
41		NS-8110420-3P	NUT 11/84" H=7,1	
42		112-28301	TUBE HOLDER, LOWER	
43		110-94109	OIL TUBE	
44		SD-0700711-TP	HINGE SCREW D=7 H=7,1	
45		111-01607	SOLENOID CONNECTING LINK	
46		WP-0722316-SH	WASHER	
47		111-01508	REVERSE FEED LINK	
48		NS-6110420-3P	NUT 11/84" H=7,1	
49		SD-0700451-TP	HINGE SCREW D=7 H=4,5	
50		MC-2005013-00	NEEDLE 134 MM100	
51		229-62351	FEED DRIVE ECCENTRIC CAM ASM.	
52		114-03805	THREAD GUIDE C FITTING PLATE	
53		WP-0370116-SD	WASHER 3,78X1	
54		NS-6090310-3P	NUT 9/64" H=4,5	
55		229-72606	ARM THREAD GUIDE C	
56		110-94604	CLUTCH LINK	
57		110-09800	FEED REGULATOR BUSHING	
58		110-96500	THREAD TRIMMER SOLENOID	
59		SD-0560701-TP	STEP-SCREW D=5 H=7	
60		110-08901	ADJUSTING LINK FULCRUM SHAFT H	
			#01.....FOR JE	
			#02.....FOR DDL-8700H-7-0B,-WB	
			NOTE	



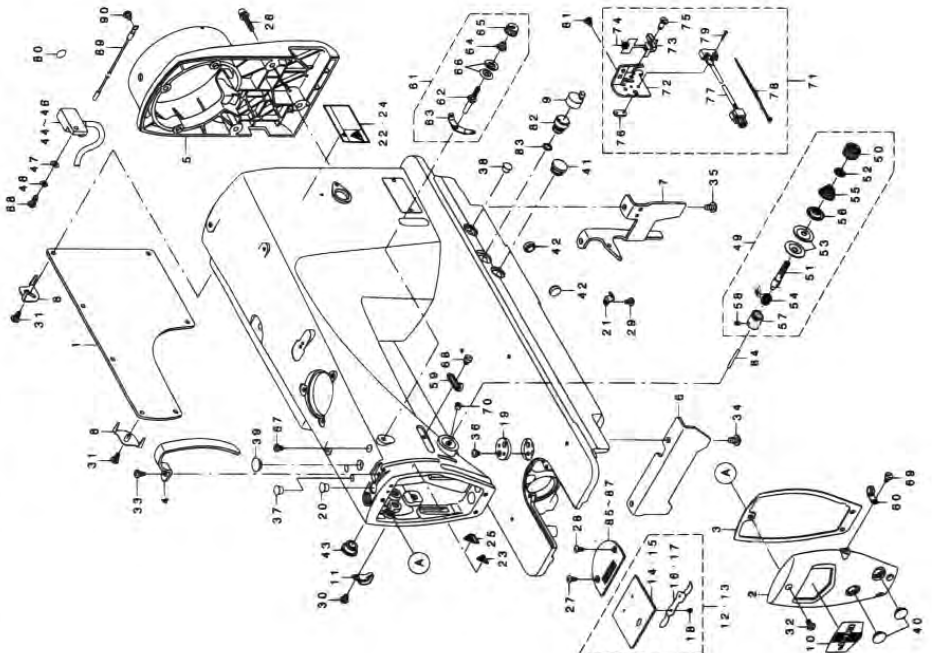
Direct-drive, High-speed, Lockstitch Machine
with an Automatic Thread Trimmer

DDL-9000

PARTS LIST

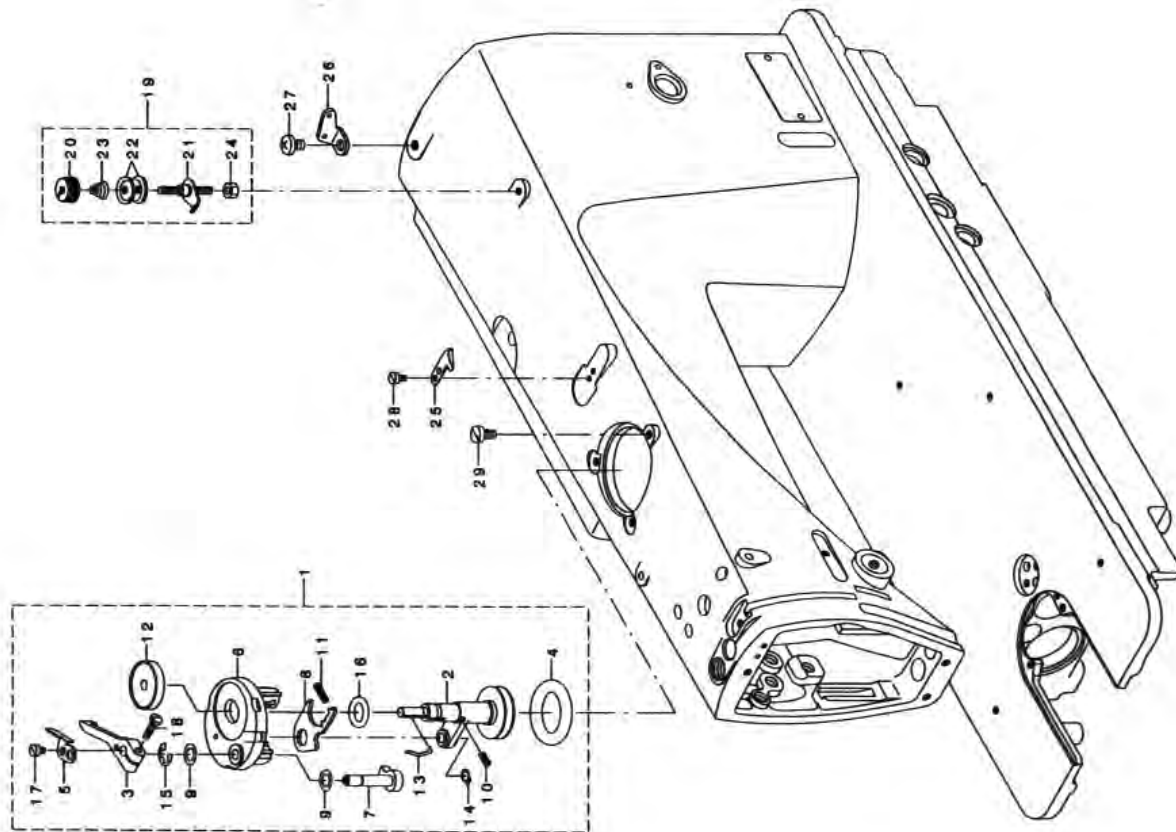
29327301
No.1262-04

1. MACHINE FRAME & MISCELLANEOUS COVER COMPONENTS



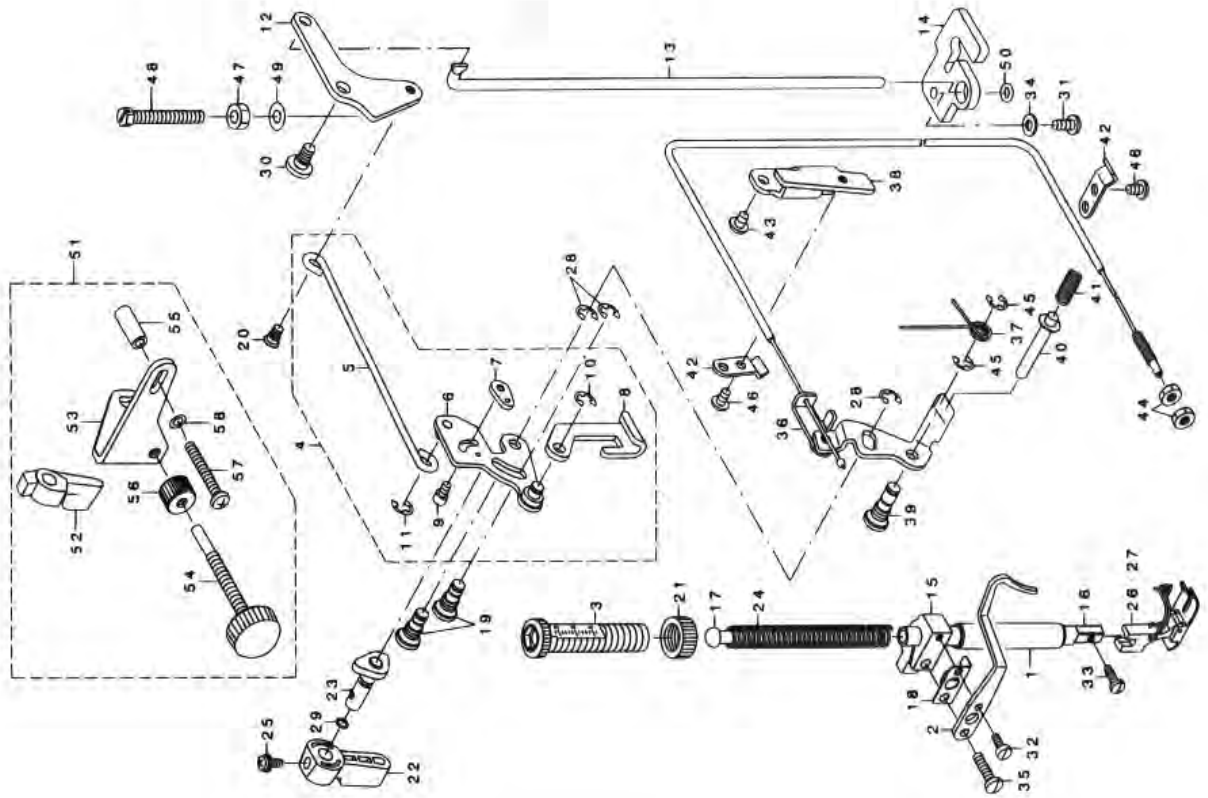
REF. NO	NOTE	PART NO.	DESCRIPTION	QTY
1		236-00208	SIDE PLATE	1
2		236-00307	FACE PLATE	1
3		236-00408	FACE PLATE PACKING	1
4		236-00505	THREAD TAKE-UP LEVER COVER	1
5		236-00604	PULLLEY COVER	1
6		236-00703	BED STUD A	1
7		236-00802	BED STUD B	1
8		111-02605	CORD HOLDER	1
9		236-01305	AIR-DISCHARGING CAP	2
10		110-00403	PLATE	1
11		135-30001	UPPER SHAFT FRONT METAL OIL VI	1
12	#07	229-01250	SLIDE PLATE ASM.	1
13	#08	110-03258	SLIDE PLATE ASM.	1
14	#07	229-01201	SLIDE PLATE	(1)
15	#08	110-03208	SLIDE PLATE	(1)
16	#07	229-01300	SLIDE PLATE SPRING	(1)
17	#08	110-01608	BED SLIDE SPRING	(1)
18		SS-6060210-SP	SCREW 3/32-5/8 L=1.9	(2)
19		229-02605	RULER STOP SEAT	1
20		81405-012-000	CAP	1
21		83538-112-000	OIL RETURN TUBE HOLDER	1
22	#04	CM-3002001-A1	SAFETY LABEL..3 (SMALL).	1
23	#05	CM-3002000-01	ATTENTION SEAL	1
24	#02	CM-3002001-01	SAFETY LABEL, 1(SMALL).	1
25	#02	CM-3002000-01	LABEL (1B)	1
26		SL-6052592-TN	BOLT	4
27		SS-2110915-SP	SCREW 11/64-40 L=8.5	1
28		SS-2110920-TP	SCREW 11/64-40 L=8.5	1
29		SS-4110715-SP	SCREW 11/64-40 L=7	1
30		SS-4120815-SP	SCREW 3/16-28 L=8	1
31		SS-4120915-SP	SCREW 3/16-28 L=9	7
32		SS-4120915-SP	SCREW 3/16-28 L=9	3
33		SS-4120915-SP	SCREW 3/16-28 L=9	1
34		SS-4150815-SP	SCREW 15/64-28 L=9	2
35		SS-4150915-SP	SCREW 15/64-28 L=9	2
36		SS-7110540-SP	SCREW 11/64-40 L=5	2
37		TA-0850804-R0	RUBBER PLUG	1
38		TA-0850804-R0	RUBBER PLUG	1
39		TA-1250406-R0	RUBBER PLUG D=12.5 L=4	1
40		TA-1250406-R0	RUBBER PLUG D=12.5 L=4	2
41		TA-1250705-R0	RUBBER PLUG	1
42		TA-1270502-R0	RUBBER PLUG	2
43		TA-1470704-R0	RUBBER PLUG	1
44	#06	M6022-350-AAA	RESISTOR PACK AA ASM.	1
45	#09	M6022-350-AAAL	RESISTOR PACK AL ASM.	1
46	#05	M6022-350-AAF	RESISTOR PACK AF ASM.	1
47		VP-0501016-SD	WASHER 5X10.5X1	1
48		VS-0510002-RP	SPRING WASHER 5.1X9.2X1.3	1
49		236-27359	THREAD TENSION ASM.	1
50		236-20005	THREAD TENSION NUT	(1)
51		83115-552-000	TENSION POST	(1)
52		83120-125-000	ROTATING STOPPER	(1)
53		83128-012-000	THREAD TENSION DISK	(2)
54		83128-012-000	TAKE-UP SPRING	(1)
55		83128-012-A00	TENSION SPRING	(1)
56		83132-552-000	THREAD TENSION DISK PRESSER	(1)
57		83111-126-000	TENSION POST SOCKET	(1)
58		SS-8090870-SP	SCREW 9/64-40 L=5.5	(1)
59		236-26104	ARM THREAD GUIDE A	1
60		229-20807	ARM THREAD GUIDE B	1
61		229-45463	THREAD TENSION ASM., NO.1	1
62		229-45414	THREAD TENSION POST	(1)
63		229-45804	THREAD TENSION GUIDE	1
64		229-45505	THREAD TENSION SPRING	1
65		229-45703	THREAD TENSION NUT	1
66		229-45802	THREAD TENSION DISK	1
67		SS-4110715-SP	SCREW 11/64-40 L=7	1
68		SS-6110610-TP	SCREW 11/64-40 L=8	1
69		SS-6110610-TP	SCREW 11/64-40 L=6	1
70		SS-8150710-TP	SCREW 15/64-28 L=7	1
71		236-38059	SAFETY SWITCH ASM.	1
72		236-38000	SAFETY SWITCH BASE	1
73		236-38109	SAFETY SWITCH ARM	1
74		236-38208	SAFETY SWITCH SPRING	1
75		236-38307	SAFETY SWITCH ARM SHAFT	1
76		236-38406	SAFETY SWITCH NUT	1
77		236-38554	SAFETY SWITCH CORD ASM.	1
78		EA-9500801-00	CABLE BAND	1
79		SM-4021201-SC	SCREW M2 L=12	1
80	#01	100-04108	GROUND MARK	1
81		SS-4110615-SP	SCREW 11/64-40 L=6	1
82		236-29900	AIR-DISCHARGING	1
83		RD-0801502-00	RUBBER RING	1
84		83118-552-F00	TENSION RELEASING PIN	1
85	#01	81109-012-10R	THROAT PLATE (1)	1
86	#02	110-28008	THROAT PLATE	1
87	#03	81109-552-000	THROAT PLATE	1
88		SS-4121215-SP	SCREW 3/16-28 L=12	1
89	#01	236-01057	EARTH CORD ASM.	1
90	#01	SS-4120615-SP	SCREW 3/16-28 L=6	1

2. BOBBIN WINDER COMPONENTS

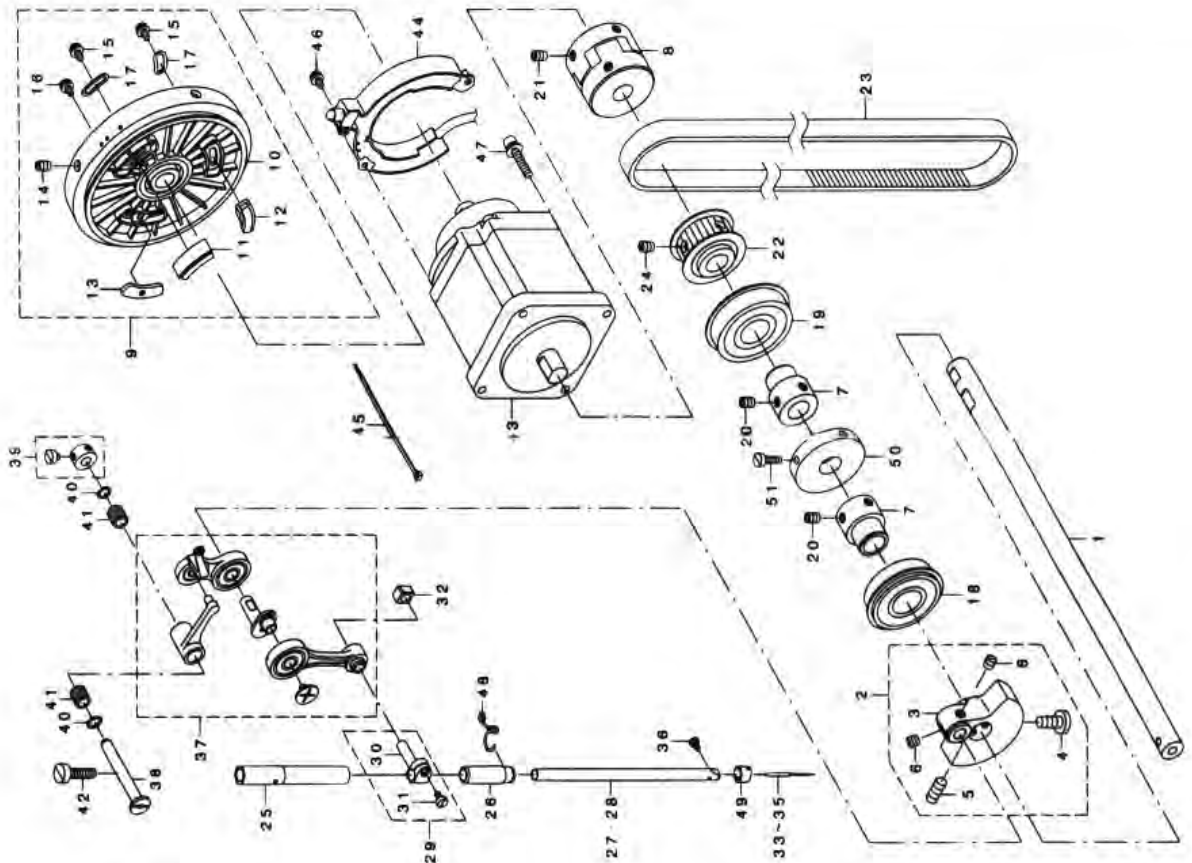


REF.NO	NOTE	PART NO.	DESCRIPTION	QTY
1		236-36081	BOBBIN WINDER ASM.	1
2		236-36053	BOBBIN WINDER SHAFT COMPL.	(1)
3		236-36202	BOBBIN LEVER	(1)
4		236-36301	RING	(1)
5		236-36509	BOBBIN WINDER ADJUST PLATE	(1)
6		225-37658	BOBBIN FITTING BASIS COMPL.	(1)
7		225-38151	BOBBIN CAN SHAFT COMPL.	(1)
8		225-38409	ADJUSTING PLATE	(1)
9		106-18304	VERTICAL ROLLER WASHER	(2)
10		B1529-890-00C-A	PRESSUR FOOT SPRING	(1)
11		229-12109	FEED REGULATOR PIN SPRING	(1)
12		236-36707	BOBBIN CUSHION	(1)
13		B3212-761-000	LATCH SPRING	(1)
14		RC-0560711-KP	RETAINING RING	(1)
15		RE-0500000-K0	E-RING	(1)
16		RO-0922702-00	RUBBER RING	(1)
17		SS-6090520-SP	SCREW 9/64-40 L= 5.0	(1)
18		SS-7091410-SP	SCREW 9/64-40 L=13.5	(1)
19		236-36657	BOBBIN THREAD TENSION ASM.	1
20		110-72402	THREAD TENSION NUT	(1)
21		141-13450	BOBBIN THREAD TENSION ROD ASM.	(1)
22		B3126-012-000	THREAD TENSION DISK	(2)
23		D7133-555-800	CONNECTING ROD SPRING	(1)
24		NS-6110530-SP	NUT 11/64-40	(1)
25		105-02300	THREAD CUTTER	1
26		137-08700	THREAD GUIDE, NO.1	1
27		SS-4150915-SP	SCREW 15/64-28 L=9	1
28		SS-6090620-TP	SCREW	2
29		SS-6121030-SN	SCREW 3/16-28 L=10	3

4. HAND LIFTER & TENSION RELEASE COMPONENTS



3. MAIN SHAFT & NEEDLE BAR COMPONENTS



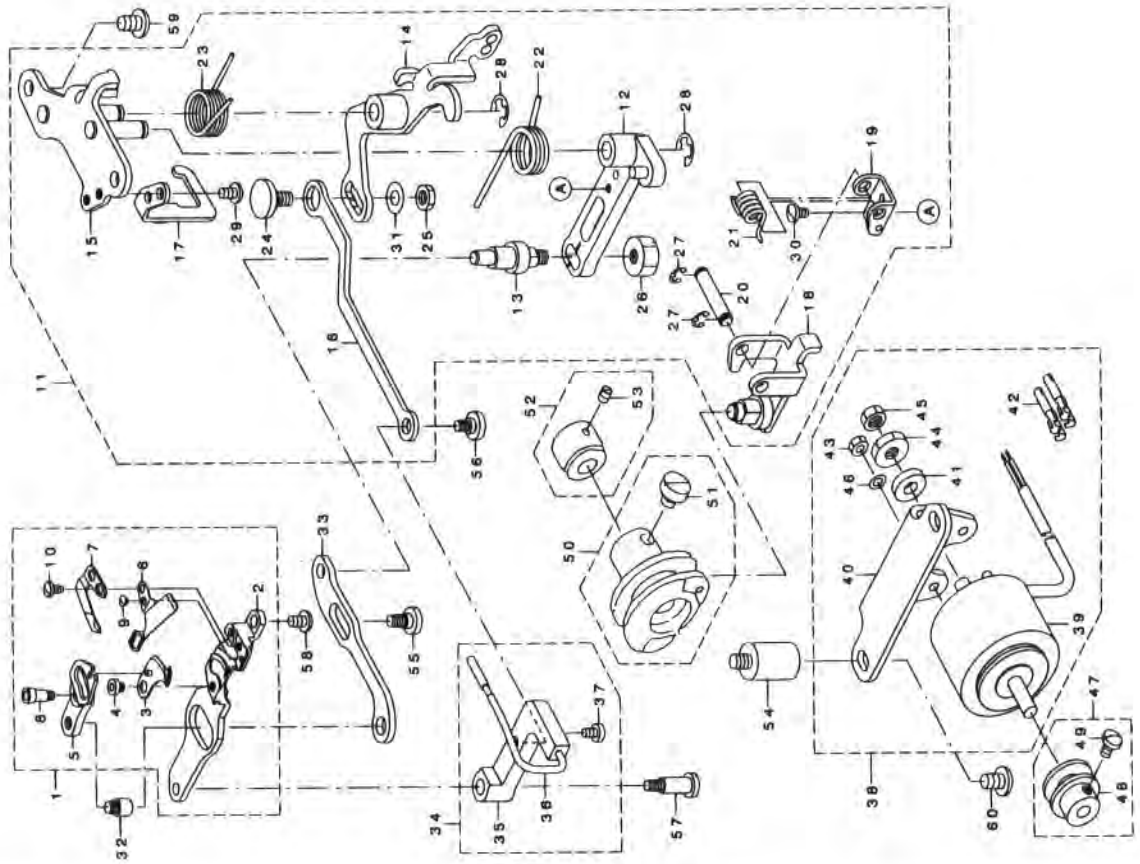
RICAMBI JUKI 9000

REF. NO	NOTE	PART NO.	D E S C R I P T I O N	Qty
1		236-04010	MAIN SHAFT	1
2		236-04168	COUNTER WEIGHT ASM.	1
3		236-04119	COUNTER WEIGHT	(1)
4		SS-7681650-TP	SCREW 9/32-28 L=16	(1)
5		SS-8681650-TP	SCREW 9/32-28 L=16	(1)
6		SS-8660810-TP	SCREW 1/4-40 L=6	(2)
7		236-04200	MAIN SHAFT BEARING SUPPORT	2
8		236-04309	COUPLING	1
9		236-04457	HAND WHEEL ASM.	1
10		236-04408	HAND WHEEL	(1)
11		236-04655	MAGNET BASE COMPL. ,A	(1)
12		236-04754	MAGNET BASE COMPL. ,B	(1)
13		236-04804	BALANCE PLATE	(1)
14		SM-8060812-TP	SCREW M6 L=8	(2)
15		SL-4040881-SC	SCREW M4 L=8	(2)
16		SL-4040881-SC	SCREW M4 L=8	(1)
17		236-05008	HAND WHEEL WASHER	(2)
18		SB-1200009-00	BEARING	1
19		SB-1200008-00	BEARING	1
20		SM-8060812-TP	SCREW M6 L=8	4
21		SM-8060812-TP	SCREW M6 L=8	4
22		236-07054	SPROCKET, UPPER	1
23		236-07302	TIMING BELT	1
24		SM-8060812-TP	SCREW M6 L=8	2
25		236-08003	NEEDLE BAR METAL, UPPER	1
26		236-08102	NEEDLE BAR METAL, LOWER	1
27	#01	110-35003	NEEDLE BAR	1
28	#02	111-41207	NEEDLE BAR	1
29		229-06457	NEEDLE BAR HOLDER ASM.	1
30		229-06408	NEEDLE ROD HOLDER	(1)
31		SS-6090670-TP	SCREW 9/64-40 L=6	(1)
32		B1414-555-000	SLIDE BLOCK	1
33	#03	MDB-100B1400	NEEDLE DBX1 #14	1
34	#04	MDB-100B1100	NEEDLE DBX1 #11	1
35	#02	MC-2005007-50	NEEDLE 134 MW75	1
36		SS-7080510-TP	SCREW 1/8-44 L=4.5	1
37		236-22061	THREADED TAKE-UP ASM.	1
38		236-22400	THREADED TAKE-UP CRANK SHAFT	1
39		CS-070081D-SH	THRUST COLLAR ASM. D=7 V=8	1
40		228-91204	BEARING SUPPORT	2
41		SB-3070002-00	BEARING	2
42		SS-8151820-TP	SCREW 15/64-28 L=19.0	1
43		M6001-471-AAO	MOTOR A ASM.	1
44		M6801-471-OAO	SYNC ASM.	1
45		EA-9500801-00	CABLE BAND	2
46		SL-4040881-SC	SCREW M4 L=8	2
47		SL-6052592-TN	BOLT	4
48		236-26203	NEEDLE BAR THREAD GUIDE	1
49		110-05303	NEEDLE BAR THREAD GUIDE	1
50		236-36400	ROBBIN WINDER DRIVING WHEEL	1
51		SS-6111440-SP	SCREW 11/64-40 L=14.0	2

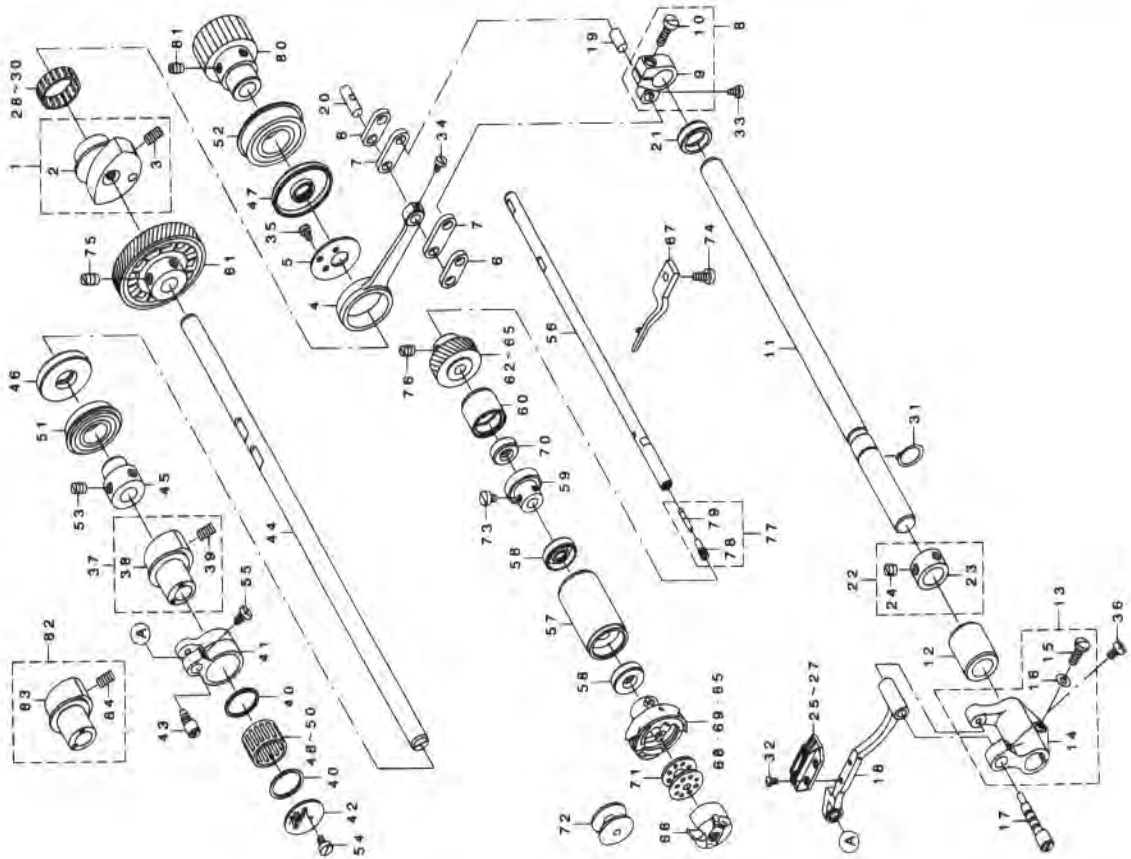
REF. NO	NOTE	PART NO.	D E S C R I P T I O N	Qty
1		236-09001	BUSHING	1
2		236-09100	PRESSER BAR THREAD GUIDE	1
3		236-09209	PRESSER SPRING REGULATOR	1
4		236-09357	LIFTING LEVER CONNECT ROD ASM.	1
5		236-09308	LIFTING LEVER CONNECT ROD	(1)
6		236-09456	LIFTING LINK COMPL.	(1)
7		236-09605	PLATE	(1)
8		229-08008	LIFTING PLATE	(1)
9		SM-6040602-TP	SCREW M4 L=6	(1)
10		RE-0500000-KO	E-RING	(1)
11		RE-0500000-KO	E-RING	(1)
12		236-09704	LIFTING LEVER LINK	1
13		236-09803	CONNECTING ROD	1
14		236-09902	CONNECTING ROD GUIDE	1
15		236-10108	PRESSER BAR GUIDE BRACKET	1
16		236-10207	PRESSER BAR	1
17		236-10306	PRESSER GUIDE BAR	1
18		236-10405	GUIDE BRACKET PLATE	1
19		110-08509	LINK SHAFT	2
20		110-07101	HINGE SCREW	1
21		110-71701	NUT	1
22		110-71800	HAND LIFTER	1
23		229-08552	HAND LIFTER CAM ASM.	1
24		229-07406	PRESSER SPRING	1
25		B1521-555-000	SCREW	1
26	#01	B1524-012-0BA	PRESSER FOOT ASM.	1
27	#02	B1524-552-0BA	PRESSER FOOT ASM.	1
28		RE-0500000-KO	E-RING	3
29		RO-0371801-00	RUBBER RING	1
30		SD-0720331-SP	HINGE SCREW D= 7.24 H= 3.3	1
31		SS-4121015-SP	SCREW 3/16-28 L=10	1
32		SS-6090910-SP	SCREW 9/64-40 L=9	1
33		SS-7091110-TP	SCREW 9/64-40 L=10.5	1
34		WP-0501016-SD	WASHER 5X10.5X1	1
35		SS-7111810-TP	SCREW 11/64-40 L=18	1
36		236-26351	THREAD TENSION RELEASE WIRE	1
37		236-26807	TENSION RELEASE RETURN SPRING	1
38		236-26906	WIRE HOLDER BRACKET	1
39		110-18108	TENSION RELEASE SHAFT	1
40		110-18306	TENSION RELEASE SUPPORTING PIN	1
41		110-18405	TENSION RELEASE PIN SPRING	1
42		110-45408	WIRE HOLDER A	2
43		SS-4120615-SP	SCREW 3/16-28 L=6	2
44		NS-6620310-SP	NUT 3/16-32	2
45		RE-0500000-KO	E-RING	2
46		SS-4110715-SP	SCREW 11/64-40 L=7	2
47		NS-6150310-SP	NUT 15/64-28	1
48		236-10801	BOLT	1
49		WP-0621016-SD	WASHER 6.2X13X1	1
50		RO-0442401-00	RUBBER RING	1
51	#03	236-11056	MINUTE LIFTING DEVICE ASM.	1
52		236-11106	HAND LIFTER	(1)
53		236-10504	STOPPER BASE	(1)
54		236-10652	STOPPER SCREW ASM.	(1)
55		112-44019	STOPPER COLLAR	(1)
56		236-10702	STOPPER SCREW NUT	(1)
57		114-33802	SET SCREW	(1)
58		WP-0480850-SP	WASHER 4.8X8.4X0.6	(1)

Note #01....FOR GENERAL EXPORT, JAPAN, JA, JH
 #02....FOR JE
 #03....FOR GENERAL EXPORT, JA, JH
 #04....FOR JAPAN

7. THREAD TRIMMER COMPONENTS



6. HORIZONTAL FEED, VERTICAL FEED
& HOOK DRIVING SHAFT COMPONENTS



RICAMBI JUKI 9000



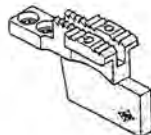

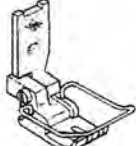


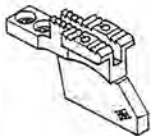

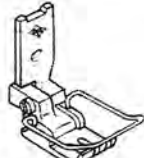
REF. NO	PART NO.	D E S C R I P T I O N	QTY
1	236-16055	FEED ROCKER CAM ASM.	1
2	236-16008	FEED ROCKER CAM	(1)
3	SS-8151150-TP	SCREW 15/64-28 L=10.5	(2)
4	236-16103	FEED ROCKER ROD	1
5	236-16204	FEED ROCKER CAM PLATE	2
6	236-16303	CONNECTING LINK A	2
7	236-16402	CONNECTING LINK B	2
8	236-16550	FEED ROCKER ARM ASM.	(1)
9	236-16501	FEED ROCKER ARM	(1)
10	SS-6121610-SP	SCREW 3/16-28 L=15.5	(1)
11	236-16600	FEED ROCKER SHAFT	1
12	236-16709	FEED ROCKER SHAFT METAL	1
13	236-16857	FEED ROCKER BASE ARM ASM.	1
14	236-16808	FEED ROCKER BASE ARM	(1)
15	SS-7121410-TP	SCREW 3/16-28 L=14	(1)
16	WP-0480856-SP	WASHER 4.8X8.4X0.8	(1)
17	236-16907	FEED ROCKER BASE SHAFT	1
18	236-17053	FEED BASE COMPL.	1
19	229-11002	WALKING FOOT PIN B	1
20	229-11101	WALKING FOOT PIN C	1
21	228-86002	OIL SEAL	1
22	229-04159	MAIN SHAFT THRUST COLLAR ASM.	1
23	229-04106	MAIN SHAFT THRUST COLLAR	(1)
24	SS-8660810-TP	SCREW 1/4-40 L=6	(2)
25	#01 B1613-012-100	FEED DOG 1	1
26	236-14506	FEED DOG A	1
27	#03 R1613-552-000	FEED DOG	1
28	#05 R4123-522-00A	NEEDLE BEARING	1
29	#05 R4123-522-00B	NEEDLE ROLLER	1
30	#05 R4123-522-00C	NEEDLE ROLLER	1
31	RC-0150001-KP	RETAINING RING 13.8	1
32	SS-4080820-TP	SCREW 1/8-44 L=6	2
33	SS-6090820-TP	SCREW	1
34	SS-6090820-TP	SCREW	1
35	SS-6090820-TP	SCREW	2
36	SS-7110740-TP	SCREW 9/64-40 L=6	1
37	236-18051	FEED DRIVING CAM ASM.	1
38	236-18002	FEED DRIVING CAM	(1)
39	SS-8151150-TP	SCREW 15/64-28 L=10.5	(2)
40	236-18101	FEED DRIVING CAM THRUST BUSH	2
41	236-18200	FEED DRIVING BASE ARM	1
42	236-18309	FEED DRIVING CAM PLATE	1
43	236-18408	FEED DRIVING BASE SHAFT	1
44	236-18507	FEED DRIVING SHAFT	1
45	236-18608	BEARING SUPPORT	1
46	236-18705	OIL SEAL	1
47	236-18804	OIL SEAL	1
48	SS-3200006-0A	BEARING	1
49	#05 SS-3200006-0B	BEARING	1
50	#05 SS-3200006-0C	BEARING	1
51	SS-1170004-00	BEARING	1
52	SS-1200010-00	BEARING	1
53	SS-8660810-TP	SCREW 1/4-40 L=8	2
54	SS-6090870-TP	SCREW 9/64-40 L=6	2
55	SS-7110740-TP	SCREW 11/64-40 L=7	2
56	236-20008	HOOK SHAFT	1
57	236-20156	HOOK SHAFT METAL COMPL.	1
58	236-20206	OIL SEAL	2
59	236-20354	BEARING SUPPORT ASM.	1
60	236-20404	HOOK SHAFT REAR METAL	1
61	236-20503	GEAR LARGE	1
62	236-20701	GEAR SMALL (A)	1
63	236-20800	GEAR SMALL (B)	1
64	#05 236-20908	GEAR SMALL (C)	1
65	#05 236-21008	GEAR SMALL (D)	1
66	110-34759	BOBBIN CASE ASM.	1
67	110-34800	BOBBIN CASE HOLDER	1
68	#04 111-41355	HOOK ASM.	1
69	#06 110-38650	HOOK ASM.	1
70	228-90008	HOOK DRIVING SHAFT OIL SEAL	1
71	#07 B9117-012-000	BOBBIN	1
72	#02 B9117-552-A00	BOBBIN	1
73	SS-6110650-TP	SCREW 11/64-40 L=5.5	2
74	SS-6111010-TP	SCREW 11/64-40 L=9.5	2
75	SS-8551030-SP	SCREW 1/4-40 L=10	2
76	SS-8660810-TP	SCREW 1/4-40 L=8	2
77	110-15955	OIL SEAL SCREW ASM.	1
78	B1808-552-000	OIL SEAL SCREW	(1)
79	110-15906	OIL WICK	(1)
80	236-07203	LOWER SPROCKET	1
81	SN-8060812-TP	SCREW M6 L=8	2

REF. NO	PART NO.	D E S C R I P T I O N	QTY
1	236-23051	KNIFE UNIT	1
2	236-23002	KNIFE INSTALLING BASE	(1)
3	110-40052	MOVING KNIFE ASM.	(1)
4	110-40409	MOVING KNIFE HINGE SCREW	(1)
5	110-40508	FORGED BASE FOR KNIFE	(1)
6	113-13103	THREAD GUIDE FOR KNIFE	(1)
7	D2406-555-DOH	COUNTER KNIFE	(1)
8	SD-0460703-TP	HINGE SCREW D=4.6 H=7	(1)
9	SS-2060210-SP	SCREW 3/32-56 L=2.3	(1)
10	SS-4080820-TP	SCREW 1/8-44 L=6	(2)
11	236-23168	THREAD TRIMMER DRIVING UNIT	1
12	236-23150	KNIFE DRIVING ARM ASM.	(1)
13	236-23200	MOVING KNIFE LINK PIN	(1)
14	236-23358	CLUTCH PLATE ASM.	(1)
15	236-23558	BASE PLATE ASM.	(1)
16	236-23705	PICKER LINK	(1)
17	236-23804	DRIVING ARM STOPPER	(1)
18	110-40953	ROLLER ARM ASM.	(1)
19	229-49002	ROLLER ARM SEAT	(1)
20	110-41407	ROLLER FULCRUM SHAFT	(1)
21	229-49200	ROLLER RETURN SPRING	(1)
22	110-43700	KNIFE RETURN SPRING, B	(1)
23	229-49408	CLUTCH SPRING	(1)
24	110-42306	PICKER LINK PIN	(1)
25	MS-6150310-SP	NUT 15/64-28	(1)
26	MS-6150810-SP	NUT 15/64-28	(1)
27	RE-0400000-K0	E-RING 4	(2)
28	RE-0600000-K0	E-RING 6	(2)
29	SS-4110715-SP	SCREW 11/64-40 L=7	(2)
30	SS-7090810-SP	SCREW 9/64-40 L=6	(1)
31	WP-0621016-SH	WASHER	(1)
32	236-23903	PIN	1
33	236-24000	MOVING KNIFE LINK	1
34	236-24158	PICKER ARM ASM.	1
35	236-24108	PICKER ARM	(1)
36	236-24257	THREAD TAKE-UP PICKER ASM.	(1)
37	SS-6090820-TP	SCREW	(2)
38	236-24356	SOLENOID ASM.	1
39	236-24307	SOLENOID	(1)
40	236-24405	SOLENOID BASE	(1)
41	110-43304	SOLENOID RUBBER	(1)
42	HK-0340400-0B	PIN CONTACT	(2)
43	HM-6040000-SN	NUT M4	(2)
44	MS-6660410-SH	NUT	(1)
45	MS-6660430-SP	NUT 1/4-40	(1)
46	VP-0450000-SD	WASHER 4.5X8X0.5	(2)
47	236-24554	DRIVING BLOCK ASM.	1
48	236-24505	DRIVING BLOCK	(1)
49	SS-7110740-TP	SCREW 11/64-40 L=7	(1)
50	110-42850	THREAD TRIMMER CAM ASM.	1
51	SS-6660610-TP	SCREW 1/4-40 L=6	(2)
52	110-42959	CAM COLLAR ASM.	1
53	SS-8110520-TP	SCREW 11/64-40 L= 4.5	1
54	D8233-241-E00	BELT COVER SUPPORT B	2
55	SD-0600321-SP	HINGE SCREW D=6 H=3.2	1
56	SD-0630275-SP	HINGE SCREW D= 6.35 H= 2.7	1
57	SD-0641452-TP	HINGE SCREW D=6.35 H=14.5	1
58	SS-4110715-SP	SCREW 11/64-40 L=7	2
59	SS-4150915-SP	SCREW 15/64-28 L=9	2
60	SS-4150915-SP	SCREW 15/64-28 L=9	2


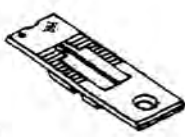
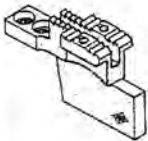



82	#08 236-19158	FEED DRIVING CAM ASM. F	1
83	236-19108	FEED DRIVING CAM F	(1)
84	SS-8151150-TP	SCREW 15/64-28 L=10.5	(2)
85	#08 236-21303	HOOK ASM. K	1

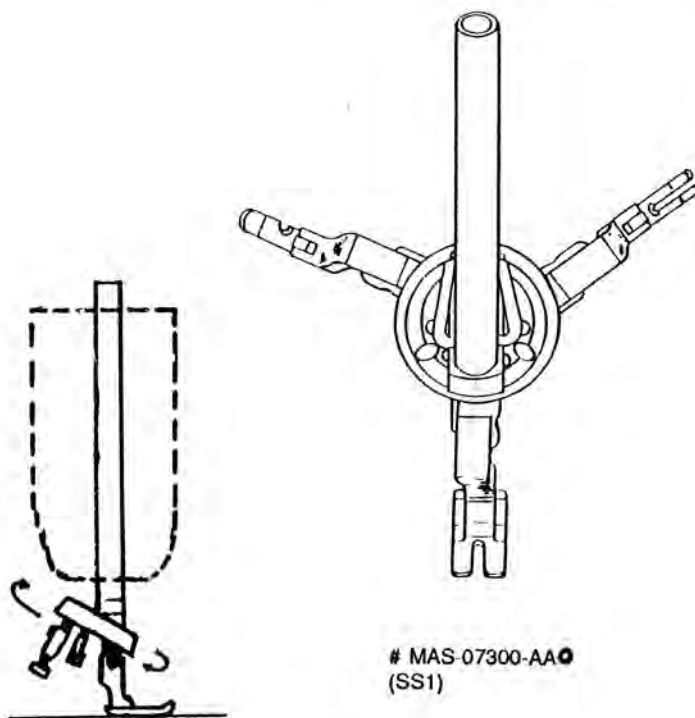
Note #01.....FOR GENERAL EXPORT,JE,JH
 #02.....FOR JAPAN
 #03.....FOR JA
 #04.....FOR GENERAL EXPORT,JE,JA
 #05.....SELECTIVE PART
 #06.....FOR JAPAN, JH
 #07.....EXCEPT JAPAN
 #08.....OPTIONAL PARTS

RICAMBI JUKI

GAUGE SET	Needle gauge size		Throat Plate	Feed Dog	Needle Clamp asm.	Presser foot asm. (Finger Guard)
						
	inch	mm				
LH-3128-S	1/8"	3.2	226-25107	226-30107	101-47650	102-22255
(LH-3178-S)	5/32"	4.0	226-25206	226-30206	101-47759	102-22354
	3/16"	4.8	226-25305	226-30404	101-47858	226-40353
	7/32"	5.6	226-25404	226-30503	101-47957	226-40452
	1/4"	6.4	226-25503	226-30602	101-48054	226-40551
	9/32"	7.1	226-25602	226-30800	101-48153	226-40759
	5/16"	7.9	226-25701	226-30909	101-48252	226-40858
	3/8"	9.5	226-25800	226-31006	101-48351	226-40957
	7/16"	11.1	226-25909	226-31105	101-48450	226-41054
	1/2"	12.7	226-26006	226-31303	101-48559	226-41252
	5/8"	15.9	226-26105	226-31402	101-48658	226-41351
	3/4"	19.1	226-26204	226-31501	101-48757	226-41450
	7/8"	22.2	226-26303	226-31709	101-48856	226-41658
	1"	25.4	226-26402	226-31808	101-48955	226-41757
	1-1/8"	28.6	226-26501	226-31907	101-49052	226-41856
	1-1/4"	31.8	226-26600	226-32004	101-49151	226-41955
	1-3/8"	34.9	226-26709	226-32103	101-49250	226-42052
	1-1/2"	38.1	226-26808	226-32202	101-49359	226-42151
GAUGE SET (Thread Trimmer)						
	inch	mm				
LH-3128-7	1/8"	3.2	226-60203	102-25704	101-47650	102-22255
(LH-3178-7)	5/32"	4.0	226-60302	102-37907	101-47759	102-22354
	3/16"	4.8	226-60401	102-38004	101-47858	226-40353
	7/32"	5.6	226-60500	102-38103	101-47957	226-40452
	1/4"	6.4	226-60609	102-38202	101-48054	226-40551
	9/32"	7.1	226-60708	102-38301	101-48153	226-40759
	5/16"	7.9	226-60807	102-38400	101-48252	226-40858
	3/8"	9.5	226-60906	102-38509	101-48351	226-40957
	7/16"	11.1	226-61003	101-68300	101-48450	226-41054
	1/2"	12.7	226-61102	102-38707	101-48559	226-41252
	5/8"	15.9	226-61201	102-38806	101-48658	226-41351
	3/4"	19.1	226-61300	102-38905	101-48757	226-41450
	7/8"	22.2	226-61409	101-68706	101-48856	226-41658
	1"	25.4	226-61508	102-39002	101-48955	226-41757
	1-1/8"	28.6	226-61607	101-68904	101-49052	226-41856
	1-1/4"	31.8	226-61706	101-69001	101-49151	226-41955



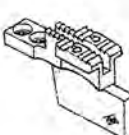





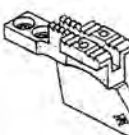


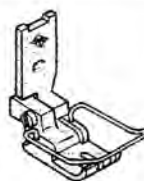
RICAMBI JUKI

GAUGE SET	Needle gauge size		Throat Plate	Feed Dog	Needle Clamp asm. (Left)	Needle Clamp asm. (Right)	Presser foot asm. (Finger Guard)
							
	inch	mm					
LH-3168	1/8"	3.2	226-25107	226-30107	B1402-528-BAL-A	B1402-528-BAR-A	101-52551
(LH-3162)	5/32"	4.0	226-25206	226-30206	B1402-528-CAL-A	B1402-528-CAR-A	101-52650
	3/16"	4.8	226-25305	226-30404	B1402-528-DAL-A	B1402-528-DAR-A	101-52759
	7/32"	5.6	226-25404	226-30503	B1402-528-EAL-A	B1402-528-EAR-A	101-52858
	1/4"	6.4	226-25503	226-30602	B1402-528-FAL-A	B1402-528-FAR-A	101-52957
	9/32"	7.1	226-25602	226-30800	B1402-528-GAL-A	B1402-528-GAR-A	101-53054
	5/16"	7.9	226-25701	226-30909	B1402-528-HAL-A	B1402-528-HAR-A	101-53153
	3/8"	9.5	226-25800	226-31006	B1402-528-KAL-A	B1402-528-KAR-A	101-53252
	7/16"	11.1	226-25909	226-31105	B1402-528-IAL-A	B1402-528-IAR-A	101-53351
	9/16"	14.3	226-26006	226-31303	B1402-528-LAL-A	B1402-528-LAR-A	101-53450
	5/8"	15.9	226-26105	226-31402	B1402-528-MAL-A	B1402-528-MAR-A	101-53559
	3/4"	19.1	226-26204	226-31501	B1402-528-NAL-A	B1402-528-NAR-A	101-53658
	7/8"	22.2	226-26303	226-31709	B1402-528-PAL-A	B1402-528-PAR-A	101-53757
	1"	25.4	226-26402	226-31808	B1402-528-QAL-A	B1402-528-QAR-A	101-53856


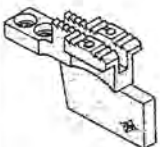




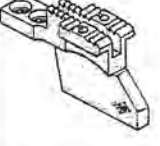





Versione universale, vedi
Brother 154628

RICAMBI JUKI

GAUGE SET	Needle gauge size		Throat Plate	Feed Dog	Needle Clamp asm. (Left)	Needle Clamp asm. (Right)	Presser foot asm. (Finger Guard)
							
	inch	mm					
LH-3168-S	1/8"	3.2	226-25107	226-30107	B1402-528-BAL-A	B1402-528-BAR-A	102-22255
(LH-3162-S)	5/32"	4.0	226-25206	226-30206	B1402-528-CAL-A	B1402-528-CAR-A	102-22354
	3/16"	4.8	226-25305	226-30404	B1402-528-DAL-A	B1402-528-DAR-A	226-40353
	7/32"	5.6	226-25404	226-30503	B1402-528-EAL-A	B1402-528-EAR-A	226-40452
	1/4"	6.4	226-25503	226-30602	B1402-528-FAL-A	B1402-528-FAR-A	226-40551
	9/32"	7.1	226-25602	226-30800	B1402-528-GAL-A	B1402-528-GAR-A	226-40759
	5/16"	7.9	226-25701	226-30909	B1402-528-HAL-A	B1402-528-HAR-A	226-40858
	3/8"	9.5	226-25800	226-31006	B1402-528-KAL-A	B1402-528-KAR-A	226-40957
	7/16"	11.1	226-25909	226-31105	B1402-528-IAL-A	B1402-528-IAR-A	226-41054
	9/16"	14.3	226-26006	226-31303	B1402-528-LAL-A	B1402-528-LAR-A	226-41252
	5/8"	15.9	226-26105	226-31402	B1402-528-MAL-A	B1402-528-MAR-A	226-41351
	3/4"	19.1	226-26204	226-31501	B1402-528-NAL-A	B1402-528-NAR-A	226-41450
	7/8"	22.2	226-26303	226-31709	B1402-528-PAL-A	B1402-528-PAR-A	226-41658
	1"	25.4	226-26402	226-31808	B1402-528-QAL-A	B1402-528-QAR-A	226-41757
GAUGE SET (Thread Trimmer)							
	inch	mm					
LH-3168-7	1/8"	3.2	226-60203	102-37906	B1402-528-BAL-A	B1402-528-BAR-A	102-22255
(LH-3162-7)	5/32"	4.0	226-60302	102-37907	B1402-528-CAL-A	B1402-528-CAR-A	102-22354
	3/16"	4.8	226-60401	102-38004	B1402-528-DAL-A	B1402-528-DAR-A	226-40353
	7/32"	5.6	226-60500	102-38103	B1402-528-EAL-A	B1402-528-EAR-A	226-40452
	1/4"	6.4	226-60609	102-38202	B1402-528-FAL-A	B1402-528-FAR-A	226-40551
	9/32"	7.1	226-60708	102-38301	B1402-528-GAL-A	B1402-528-GAR-A	226-40759
	5/16"	7.9	226-60807	102-38400	B1402-528-HAL-A	B1402-528-HAR-A	226-40858
	3/8"	9.5	226-60906	102-38509	B1402-528-KAL-A	B1402-528-KAR-A	226-40957
	7/16"	11.1	226-61003	101-68300	B1402-528-IAL-A	B1402-528-IAR-A	226-41054
	1/2"	12.7	226-61102	102-38707	B1402-528-LAL-A	B1402-528-LAR-A	226-41252
	5/8"	15.9	226-61201	102-38806	B1402-528-MAL-A	B1402-528-MAR-A	226-41351
	3/4"	19.1	226-61300	102-38905	B1402-528-NAL-A	B1402-528-NAR-A	226-41450
	7/8"	22.2	226-61409	101-68706	B1402-528-PAL-A	B1402-528-PAR-A	226-41658
	1"	25.4	226-61508	102-39002	B1402-528-QAL-A	B1402-528-QAR-A	226-41757

RICAMBI JUKI

GAUGE SET	Needle gauge size		Throat Plate	Feed Dog (Ø2.4)	Needle Clamp asm. (Left)	Needle Clamp asm. (Right)	Presser foot asm. (Finger Guard)
	inch	mm					
LH-3188	3/16"	4.8	226-25305	228-15401	B1402-528-DAL-A	B1402-528-DAR-A	228-16557
(LH-3182)	7/32"	5.6	226-25404	228-15500	B1402-528-EAL-A	B1402-528-EAR-A	228-16656
	1/4"	6.4	226-25503	228-15609	B1402-528-FAL-A	B1402-528-FAR-A	228-16755
	9/32"	7.1	226-25602	228-15708	B1402-528-GAL-A	B1402-528-GAR-A	228-16854
	5/16"	7.9	226-25701	228-15807	B1402-528-HAL-A	B1402-528-HAR-A	228-16953
	3/8"	9.5	226-25800	228-15906	B1402-528-KAL-A	B1402-528-KAR-A	228-17050
	1/2"	12.7	226-26006	228-16003	B1402-528-LAL-A	B1402-528-LAR-A	228-17159
GAUGE SET (Thread Trimmer)	Needle gauge size		Throat Plate	Feed Dog (Ø2.4)	Needle Clamp asm. (Left)	Needle Clamp asm. (Right)	Presser foot asm. (Finger Guard)
	inch	mm					
LH-3188-7	3/16"	4.8	226-60401	228-21201	B1402-528-DAL-A	B1402-528-DAR-A	228-16557
(LH-3182-7)	7/32"	5.6	226-60500	228-21300	B1402-528-EAL-A	B1402-528-EAR-A	228-16656
	1/4"	6.4	226-60609	228-21409	B1402-528-FAL-A	B1402-528-FAR-A	228-16755
	9/32"	7.1	226-60708	228-21508	B1402-528-GAL-A	B1402-528-GAR-A	228-16854
	5/16"	7.9	226-60807	228-21607	B1402-528-HAL-A	B1402-528-HAR-A	228-16953
	3/8"	9.5	226-60906	228-21706	B1402-528-KAL-A	B1402-528-KAR-A	228-17050
	1/2"	12.7	226-61102	228-21805	B1402-528-LAL-A	B1402-528-LAR-A	228-17159