

RICAMBI UNION SPECIAL

PARTS FOR UNION SPECIAL

For 54200, 54400



54208A
Loooper



54208B
Loooper



54225
Needle guard



54211A
Retainer



54285C
Nut



54244P
Loooper holder frame



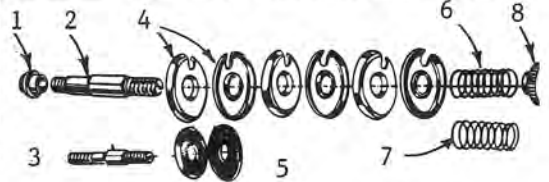
51295A
Mounting isolator



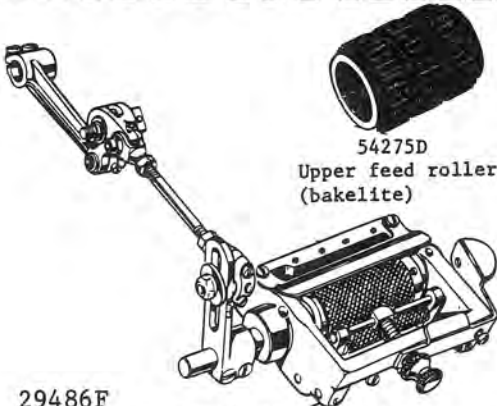
51817A
Needle bar



51454B
N.bar connection



- 1 51292A Tension post ferrule
- 2 54492B Tension post
- 3 51292G Tension post
- 4 109(109D) Tension disc
- 5 54492 Tension disc
- 6 51292F-5 Tension spring
- 7 51292F-1 Tension spring
- 8 51292C Tension regulating nut



29486F
Elastic metering device, complete



54275D
Upper feed roller
(bakelite)



54275E
Upper feed roller
(rubber)



54276
Lower feed roller
(bakelite)



54276A
Lower feed roller
(rubber)



54492C
Tension post ferrule

POPULAR SCREW FOR 54200, 54400



28C



73A



80



87



88



91



93



97A



98A



605A



22570A



22574



22585C



22596



22764A



22768



22845B



22848



22894P



J87J

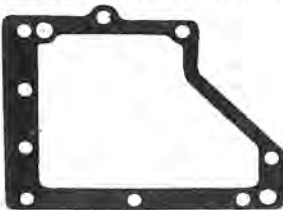
CORK GASKETS



52882P
Crank chamber cover
(upper) gasket



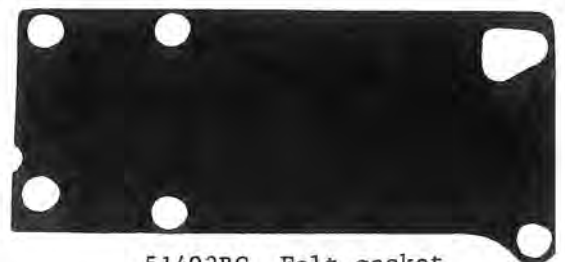
52882M
Back cover gasket



51382A
Oil reservoir
top cover gasket



51282Z
Face plate gasket



51493BG
Felt gasket