

# PULLER RACING

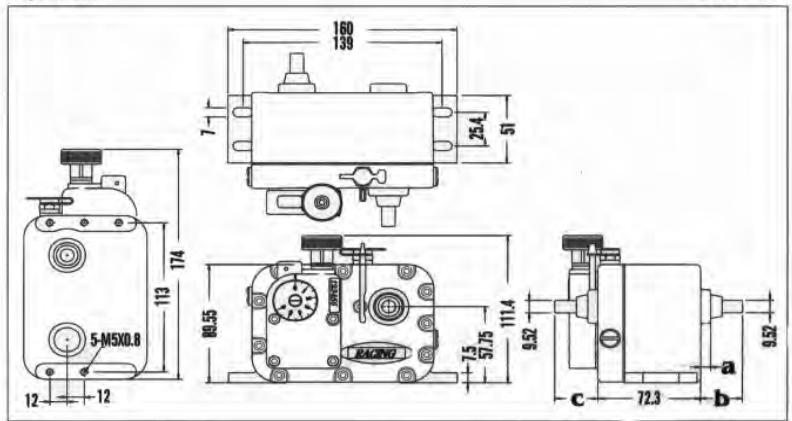
## TRANSMISSION

	機型 Model	S-1	P-1	P-2
	入力軸轉數(最高) Input Shaft RPM (MAX. SPEED)	2000	3000	3000
	出力軸轉數(最高) Output Shaft RPM (MAX. SPEED)	430	225	450
	扭力(kg/cm) Torque(kg/cm)	12	15	15
	重量(kgs) Weight(kgs)	2	2	2

**S-1 A W D-** a b c  
7 30 30  
 1 2 3 4 5

尺寸圖  
Specification

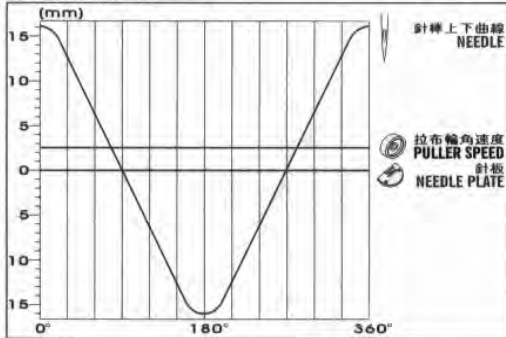
單位: mm  
Unit: mm



- 1 ● 變速機型
- Transmission Type

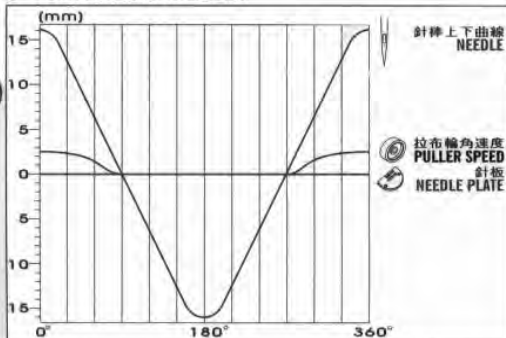
### S-1 連續性變速機

Continuous Transmission



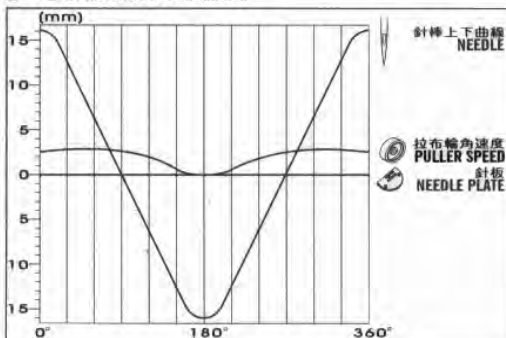
### P-1 1:1 間歇性變速機

1:1 Intermittent Transmission

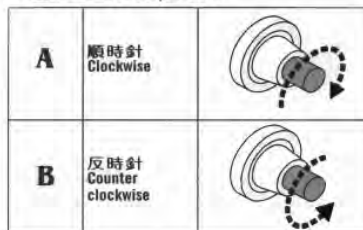


### P-2 2:1 間歇性變速機

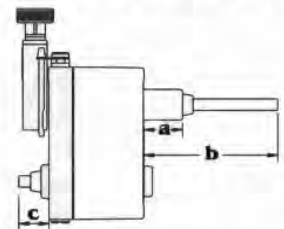
2:1 Intermittent Transmission



- 2 ● 出力軸旋轉方向
- Rotation of Output Shaft



- 5 ● 變速機出入口軸規格
- Specification List of Input/Output Shaft



- 3 ● 固定座
- Mounting Base

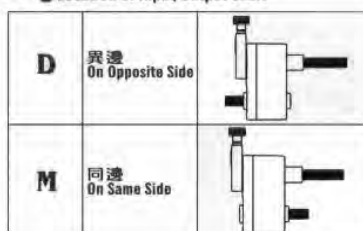


- ★ 標準品
- Standard Type

單位: mm  
Unit: mm

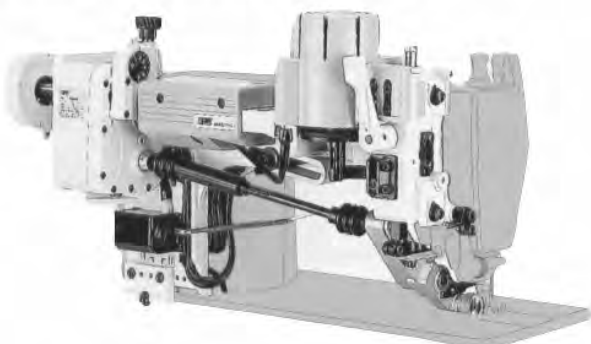
機型 Type	a	b	c
<b>S-1</b>	★ 7	30	30
	7	88	18
	7	88	30
<b>P-1 P-2</b>	7	102	24
	30	102	54
	★ 30	102	24
	86	182	24
	126	182	24
	126	182	54
	86	182	54
7	52	24	

- 4 ● 入力/出力軸位置
- Location of Input/Output Shaft



# PULLER RACING

## PS 小輪、單針、雙針車用(標準型) FOR SINGLE OR TWIN NEEDLE(REGULAR) SMALL ROLLER

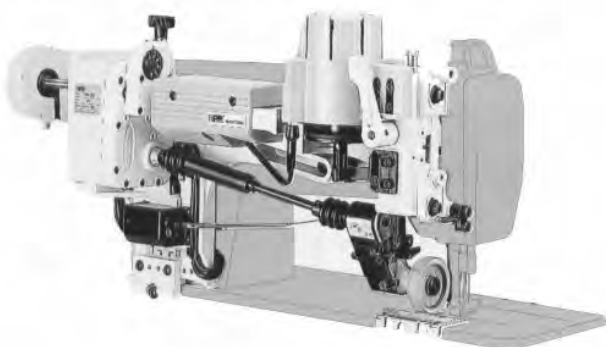


- 拖輪不用時可以提升
- Disengage roller if not needed



- 獨特設計，拖輪與車針距離超近，適合薄物，短距離及彎弧縫製。
- Extremely close pulling facilitates curve and short sewing on thin materials.

## PL 單針、雙針車用(標準型) FOR SINGLE OR TWIN NEEDLE(REGULAR)



- 寬廣的操作空間
- With Large Space for Operation



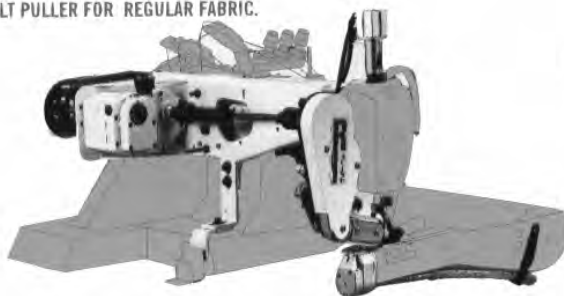
- 具有多種選擇性拖輪，能適應不同質料之車縫。
- With various optional rollers for different kinds of sewn materials.

## PF-HB/ECV/AF

BELT PULLER FOR HEAVY TO EXTREMELY HEAVY DUTY MATERIAL.

## PF-RB/EFV/AF

BELT PULLER FOR REGULAR FABRIC.



### Electronic chain cutter AF 氣壓式壓腳裝置

ECV 一般扇型車用 for Feed-Off-the-Arm

Pneumatic pressure foot (for Feed-Off-the-Arm)



EFV 四針六線車用  
for 4 NEEDLE/6 THREAD Feed-Off-the-Arm



## PK 包縫車用・上下輪驅動 FOR OVERLOCK WITH UPPER AND LOWER ROLLER



- 適用於薄到極厚物直線縫製。
- Suitable for thin to extremel thick materials in straight sewing.

- 浮出式
- Floating type

- 下沉式
- Submerged type

## PK-SP 前拉式(意大利麵專用) FRONT PULLER (FOR SPAGHETTI SEWING)

