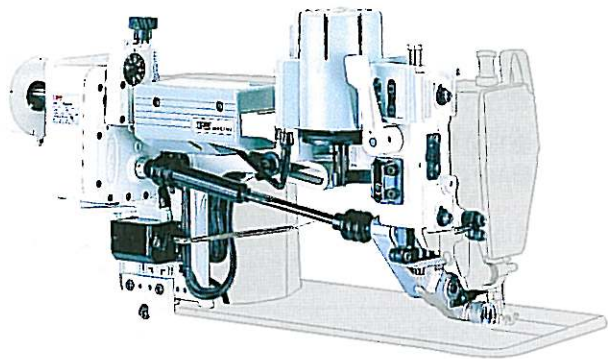




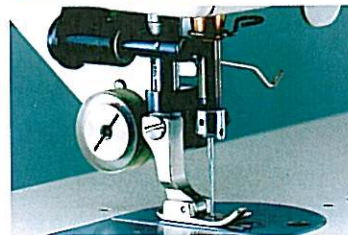
提昇品質與產量必備利器

Necessary Attachment to Improve Efficiency and Upgrade the Quality for you.

PS 小輪、單針、雙針車用(標準型)
FOR SINGLE OR TWIN NEEDLE(REGULAR) SMALL ROLLER

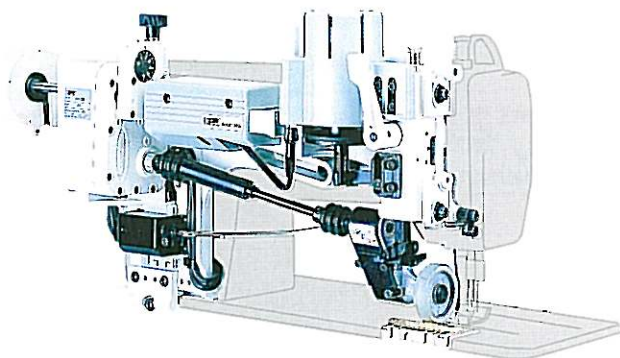


- 拖輪不用時可以提升
- Disengage roller if not needed



- 獨特設計，拖輪與車針距離超近，適合薄物，短距離及彎弧縫製。
- Extremely close pulling facilitates curve and short sewing on thin materials.

PL 單針、雙針車用(標準型)
FOR SINGLE OR TWIN NEEDLE(REGULAR)

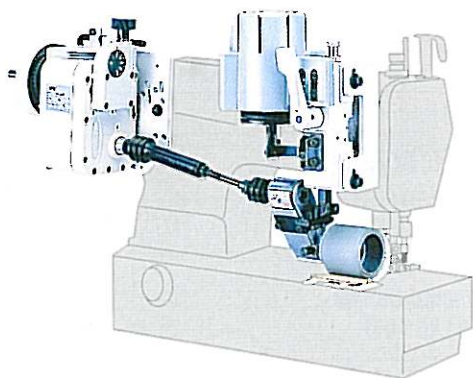


- 寬廣的操作空間
- With Large Space for Operation



- 具有多種選擇性拖輪，能適應不同質料之車縫。
- With various optional rollers for different kinds of sewn materials.

PL-S1 飾縫車用
FOR FLAT BED COVERSTITCH



PL-S2 筒型飾縫車用
FOR CYLINDER BED COVERSTITCH

