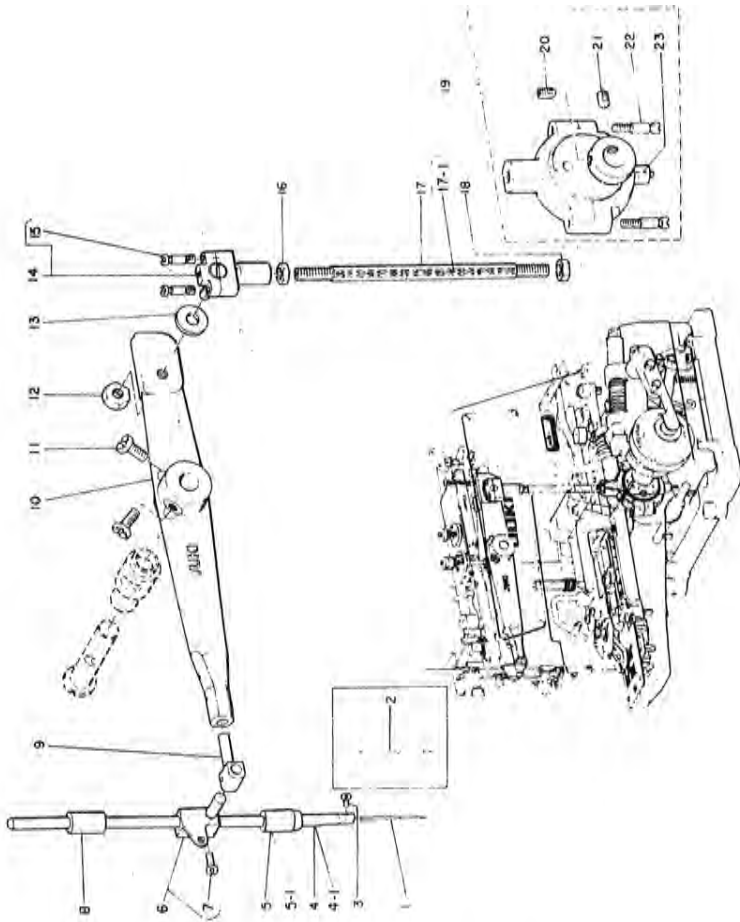


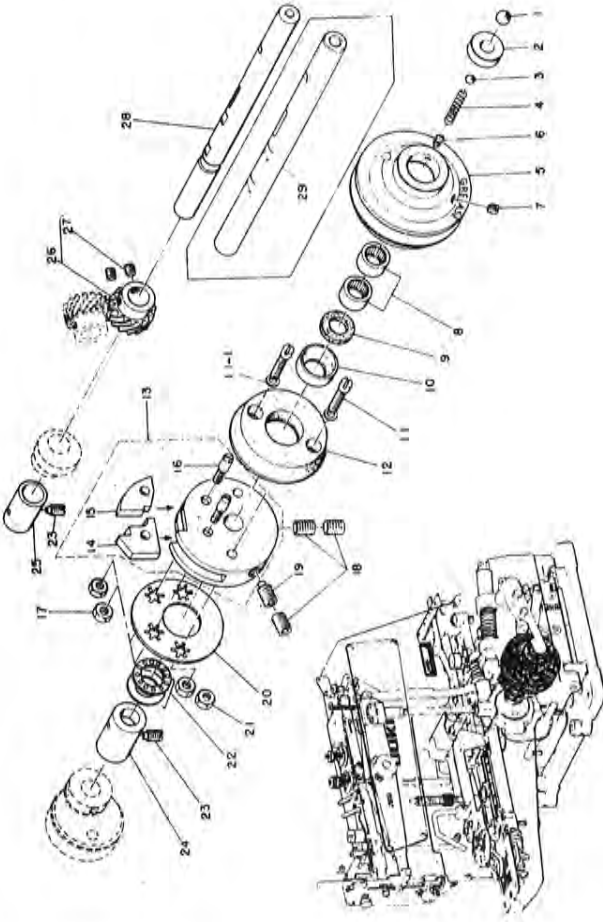
8. NEEDLE BAR DRIVING MECHANISM COMPONENTS



Ref. No.	Note	Part No.	Description
1		B1203-372-000	Driving ball
2		B1204-372-000	Pulley insert
3		B1246-372-000	Spring ball
4		B1205-372-000	Spring
5		B1202-372-000	Needle driving pulley
6		SS-8110750-SP	Screw 11/64-40 L=6.5
7		SS-8150410-SP	Screw 15/64-28 L=4.0
8		B1243-372-000	Needle bearing
9		B1206-372-000	Main shaft oil shield felt
10		B1207-372-000	Case
11		SS-6152440-SP	Screw 15/64-28 L=23.5
11-1		WP-0821026-SP	Washer
12		B1208-372-000	Needle driving pulley clutch disc
13		B1210-372-0A0	Stop motion disc arm (A)
14		B1211-372-000	Stop motion disc pawl (A)
15		B1212-372-000	Stop motion disc pawl (B)
16		B1213-372-000	Screw
17		NS-6150430-SP	Nut 15/64-28
18		SS-8701042-TP	Screw (B) 5/16-24 L=10.0
19		SS-8701762-TP	Screw (A) 5/16-24 L=17.0
20		B1214-372-000	Washer
21		NS-6150430-SP	Nut 15/64-28
22		B1215-372-900	Thrust bearing
23		SS-8151150-SP	Screw 15/64-28 L=10.5
24		B1216-372-000	Pulley shaft bushing (RIGHT)
25		B1218-372-000	Pulley shaft bushing (LEFT)
26		B1217-372-0A0	Driving gear (A) arm
27		SS-8660612-TP	Screw 1/4-40 L=6.0
28	-01	B1201-372-000	Needle driving pulley shaft
28	-02	B1201-373-000	Needle driving pulley shaft

Note (注記) -01 For MB-372 MB-372R
 -02 For MB-373 MB-373R

7. NEEDLE DRIVING PULLEY SHAFT COMPONENTS



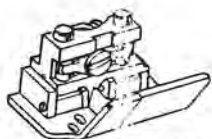
Ref. No.	Note	Part No.	Description
1		B1203-372-000	Driving ball
2		B1204-372-000	Pulley insert
3		B1246-372-000	Spring ball
4		B1205-372-000	Spring
5		B1202-372-000	Needle driving pulley
6		SS-8110750-SP	Screw 11/64-40 L=6.5
7		SS-8150410-SP	Screw 15/64-28 L=4.0
8		B1243-372-000	Needle bearing
9		B1206-372-000	Main shaft oil shield felt
10		B1207-372-000	Case
11		SS-6152440-SP	Screw 15/64-28 L=23.5
11-1		WP-0821026-SP	Washer
12		B1208-372-000	Needle driving pulley clutch disc
13		B1210-372-0A0	Stop motion disc arm (A)
14		B1211-372-000	Stop motion disc pawl (A)
15		B1212-372-000	Stop motion disc pawl (B)
16		B1213-372-000	Screw
17		NS-6150430-SP	Nut 15/64-28
18		SS-8701042-TP	Screw (B) 5/16-24 L=10.0
19		SS-8701762-TP	Screw (A) 5/16-24 L=17.0
20		B1214-372-000	Washer
21		NS-6150430-SP	Nut 15/64-28
22		B1215-372-900	Thrust bearing
23		SS-8151150-SP	Screw 15/64-28 L=10.5
24		B1216-372-000	Pulley shaft bushing (RIGHT)
25		B1218-372-000	Pulley shaft bushing (LEFT)
26		B1217-372-0A0	Driving gear (A) arm
27		SS-8660612-TP	Screw 1/4-40 L=6.0
28	-01	B1201-372-000	Needle driving pulley shaft
28	-02	B1201-373-000	Needle driving pulley shaft

Note (注記) -01 For MB-372 MB-372R
 -02 For MB-373 MB-373R

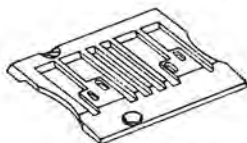
RICAMBI KANSAI

PARTS FOR *Kansai Special*

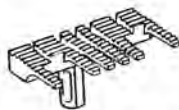
DLR-1508P



17-581 1/4"
17-582 3/16"
Presser foot



14-588 1/4"
14-589 3/16"
Needle plate



15-588 1/4"
15-589 3/16"
Feed dog



12-581 1/4"
12-582 3/16"
Needle holder



18-581 1/4"
18-581 3/16"
Needle guard

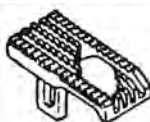
DLR-1503P-TF



17-553
Presser foot



14-553
Needle plate



15-553
Feed dog



12-553
Needle holder



18-531
Needle guard

DLR-1502P



17-510 1/8"
17-511 3/16"
17-512 1/4"
Presser foot



14-510 1/8"
14-511 3/16"
14-512 1/4"
Needle plate



15-510 1/8"
15-511 3/16"
15-512 1/4"
Feed dog



11-510 1/8"
11-511 3/16"
11-512 1/4"
Needle holder



18-520 1/8", 3/16"
18-521 1/4"
Needle guard

DLR-1502P



19-510 front



19-511 front



19-512 front



19-518 rear

DLR-1503P



19-531 front



19-535 center



19-536 rear

LOOPERS FOR DLR

DLR-1508P



19-582 front

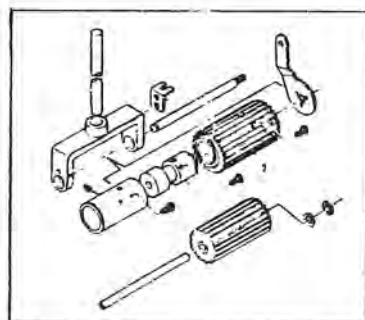


19-583 front



19-581 rear

OTHER PARTS FOR DLR, DFB

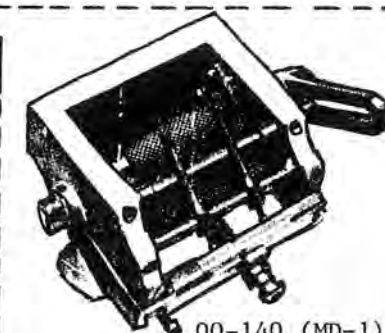
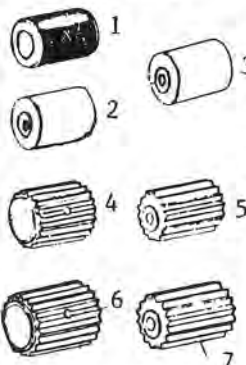


For DFB-1412P

- 02-473 Rear puller gear, 22 teeth
- 02-478 Rear puller gear, 18 teeth
- 02-471 Rear puller (smooth)
- 02-476 Rear puller (smooth)

- 00-242 Rear puller gear 22teeth ass'y
- 00-240 Rear puller gear (smooth) ass'y

DFB-1404



00-140 (MD-1)
Metering device

- 1 02-184 Rear puller, rouletted roller
- 2 02-181 Rear puller (smooth)
- 3 02-197 Rear puller (smooth)
- 4 02-178 Rear puller gear, 28 teeth
- 5 02-208 Rear puller gear, 23 teeth
- 6 02-177 Rear puller gear, 22 teeth
- 7 02-207 Rear puller gear, 18 teeth

RICAMBI ORIGINALI A RICHIESTA
SPECIFICARE MACCHINA, CLASSE E NUMERO DEL PEZZO