

PARTS FOR **JUKI**

model **MB-372,373** SERIES



B1241-372-000
Throat plate



B1242-372-000
Needle guide

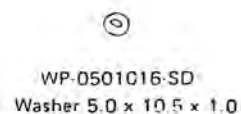


B1237-372-000
Yoke slide



10 B1230-372-00
11 SD-0640241-S
12 B1232-372-000

Loop positioning finger asm
Hinge screw D=6.35 H=2.4
Lever roll



WP-0501016-SD
Washer 5.0 x 10.5 x 1.0



B2529-372-000
Feed plate, small button



B2529-373-000
Feed plate, small button



B2529-372-C00
Feed plate, small button



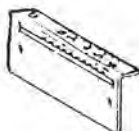
D2529-372-C00
Feed plate, large button



D2529-372-B00
Feed plate, middle button



B2515-372-000
Lengthwise feed adjusting lever



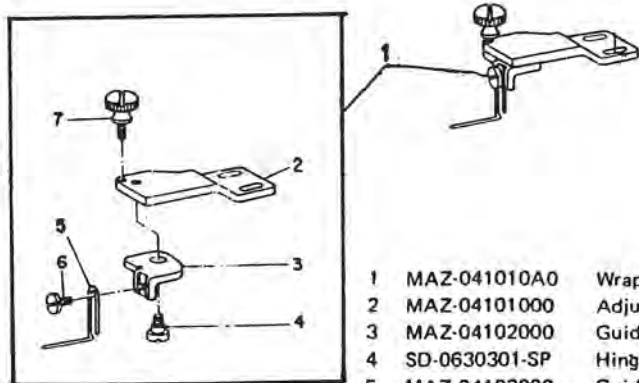
B2516-372-000
Lengthwise feed graduated plate



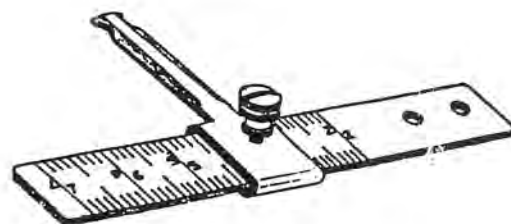
B4401-372-0A0
Button clamp forked rod asm



B4416-372-000
Button clamp lifting rod



1 MAZ-041010A0 Wrapped-around button clamp asm.
2 MAZ-04101000 Adjusting base
3 MAZ-04102000 Guide bar base
4 SD-0630301-SP Hinge screw D=6.35 H=3.0
5 MAZ-04103000 Guide bar, shank button width
6 SS-5080710-SP Screw 1/8-44 L=6.5
7 B2549-372-000 Screw



372G
Gauge



B8210-372-0A0



B3120-372-000
cl. 372; 373



B1111-372-000