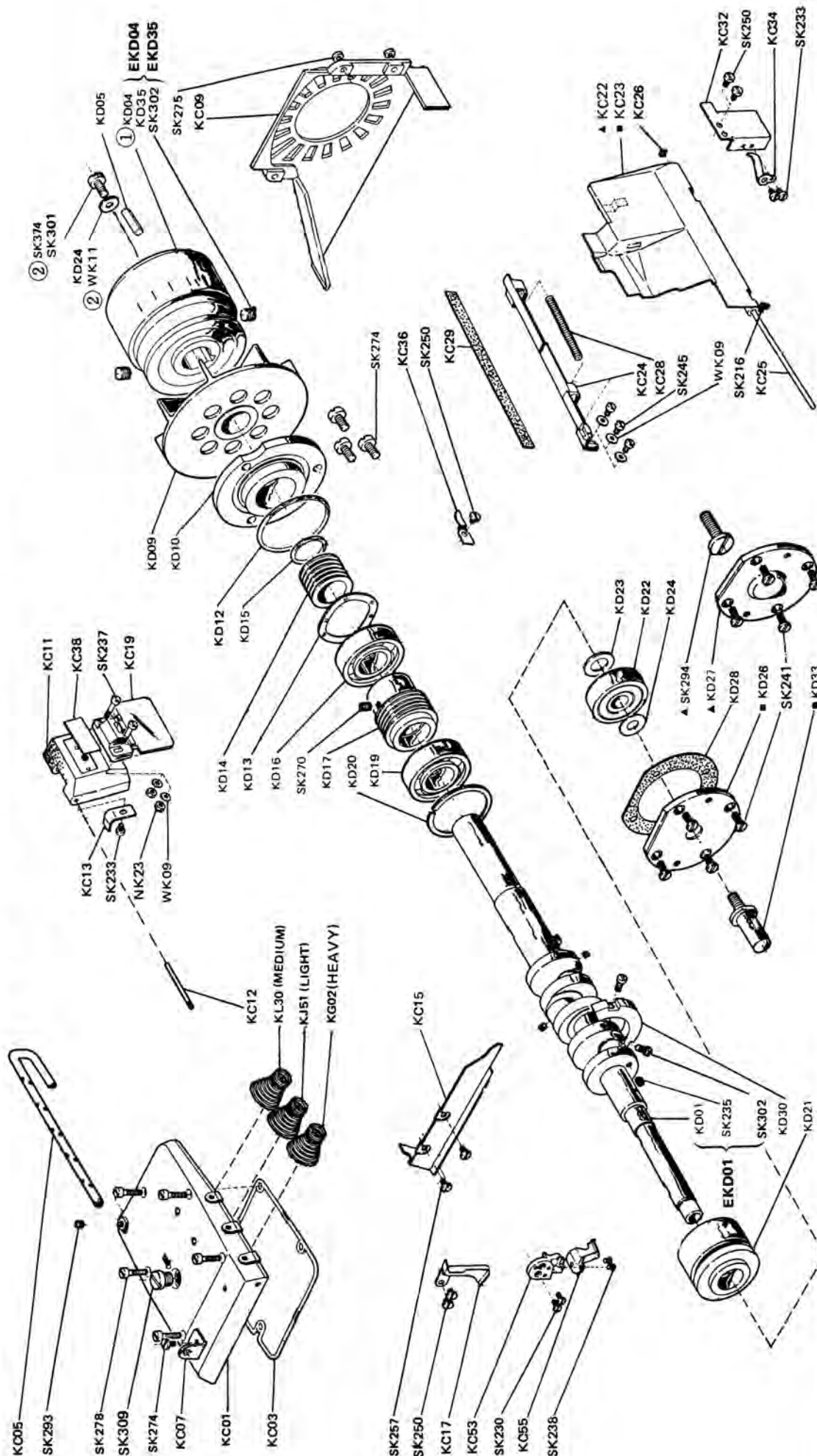


PARTS LIST FOR KC KD GROUP



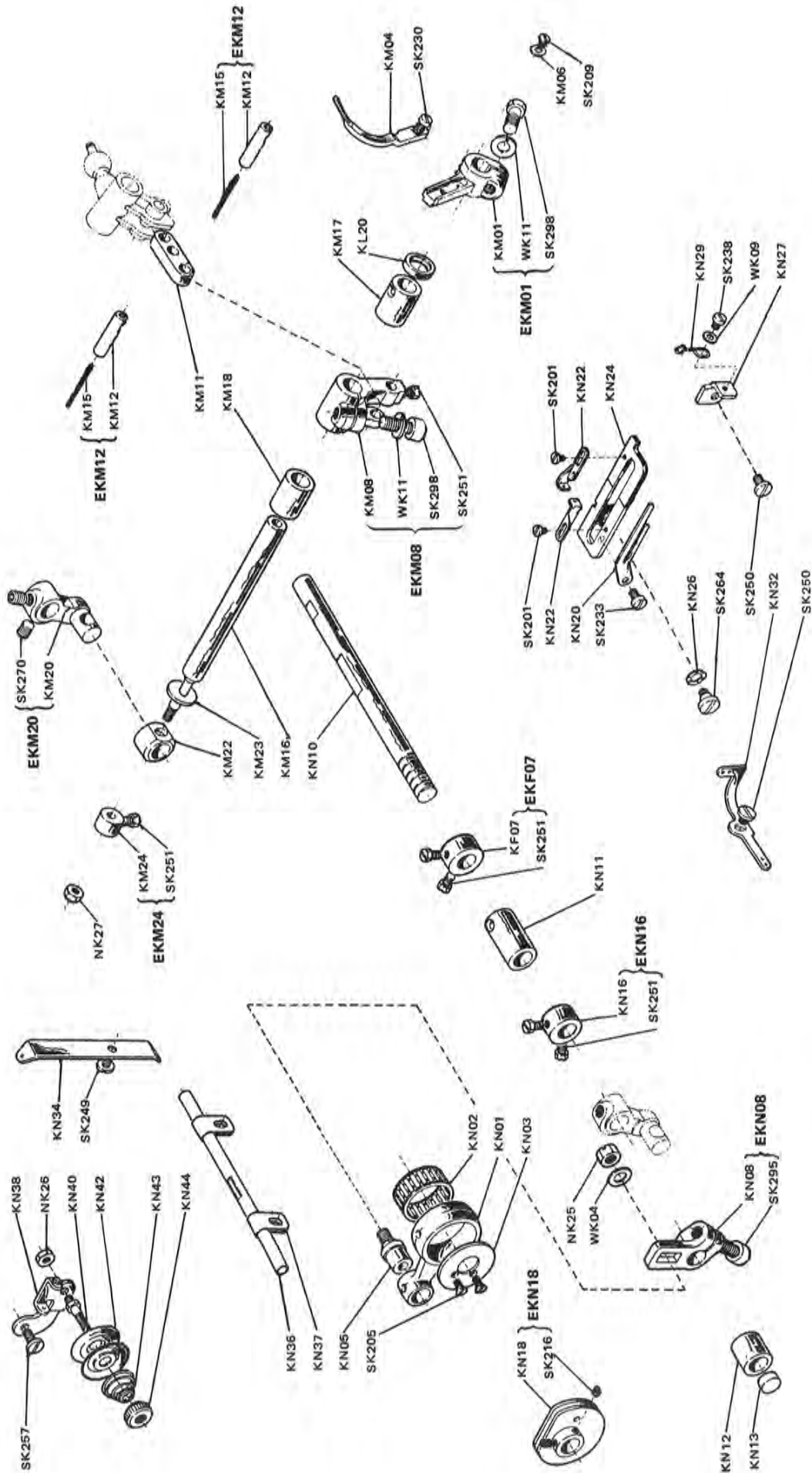
Special description: 1 KD04 be used in regular clutch motor
 KD35 be used in position motor

② Parts for KD35 only

REMARK: ▲ PARTS FOR 3, 4 THREAD MACHINE.
 ■ PARTS FOR 5 THREAD MACHINE.

● PARTS NUMBER IS LISTED IN CONVERSION CHART.
 ★ PARTS CAN ONLY BE SUPPLIED PER GROUP.

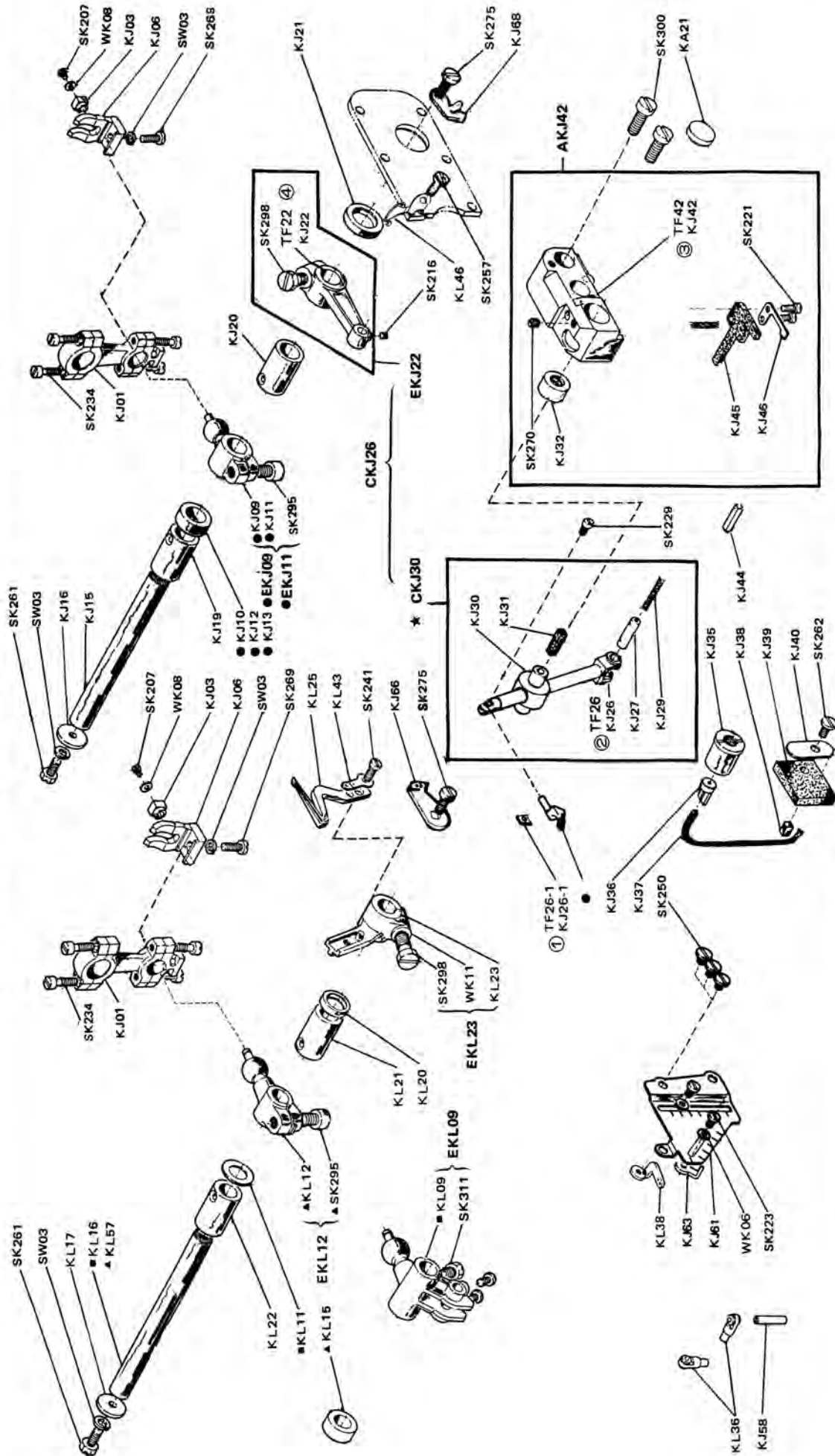
PARTS LIST FOR KM KN GROUP



REMARK: ▲ PARTS FOR 3, 4 THREAD MACHINE.
 ■ PARTS FOR 5 THREAD MACHINE.

● PARTS NUMBER IS LISTED IN CONVERSION CHART.
 ★ PARTS CAN ONLY BE SUPPLIED PER GROUP.

PARTS LIST FOR KJ KL GROUP



Special description: ① TF26-1 FOR 516X1.
 ② TF26 FOR 516X1.

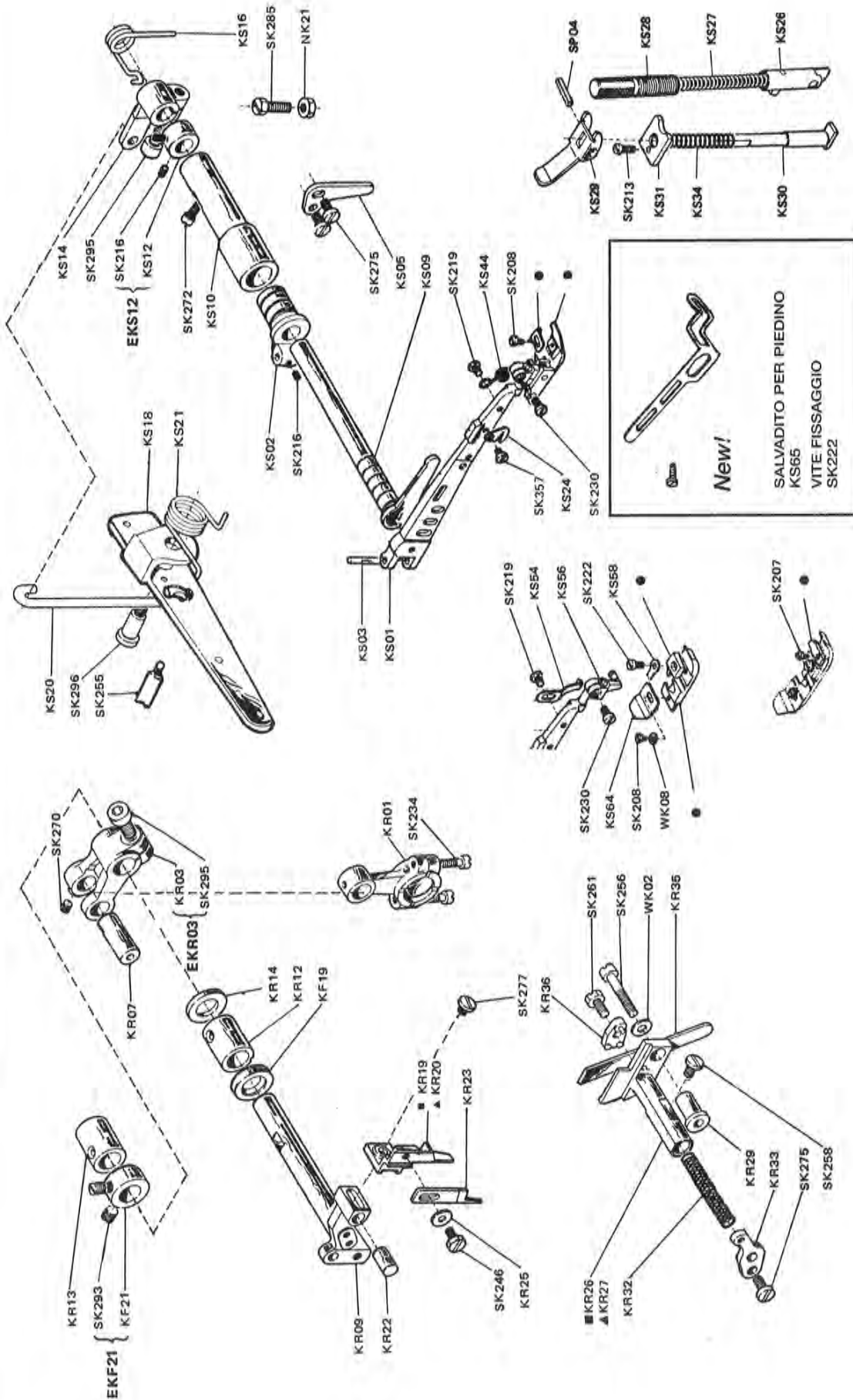
③ TF42 FOR 516X1.
 ④ TF22 FOR 516X1.

KJ51, KL30 ARE LISTED IN KC KD GROUP

REMARK: ▲ PARTS FOR 3, 4 THREAD MACHINE.
 ■ PARTS FOR 5 THREAD MACHINE.

● PARTS NUMBER IS LISTED IN CONVERSION CHART.
 ★ PARTS CAN ONLY BE SUPPLIED PER GROUP.

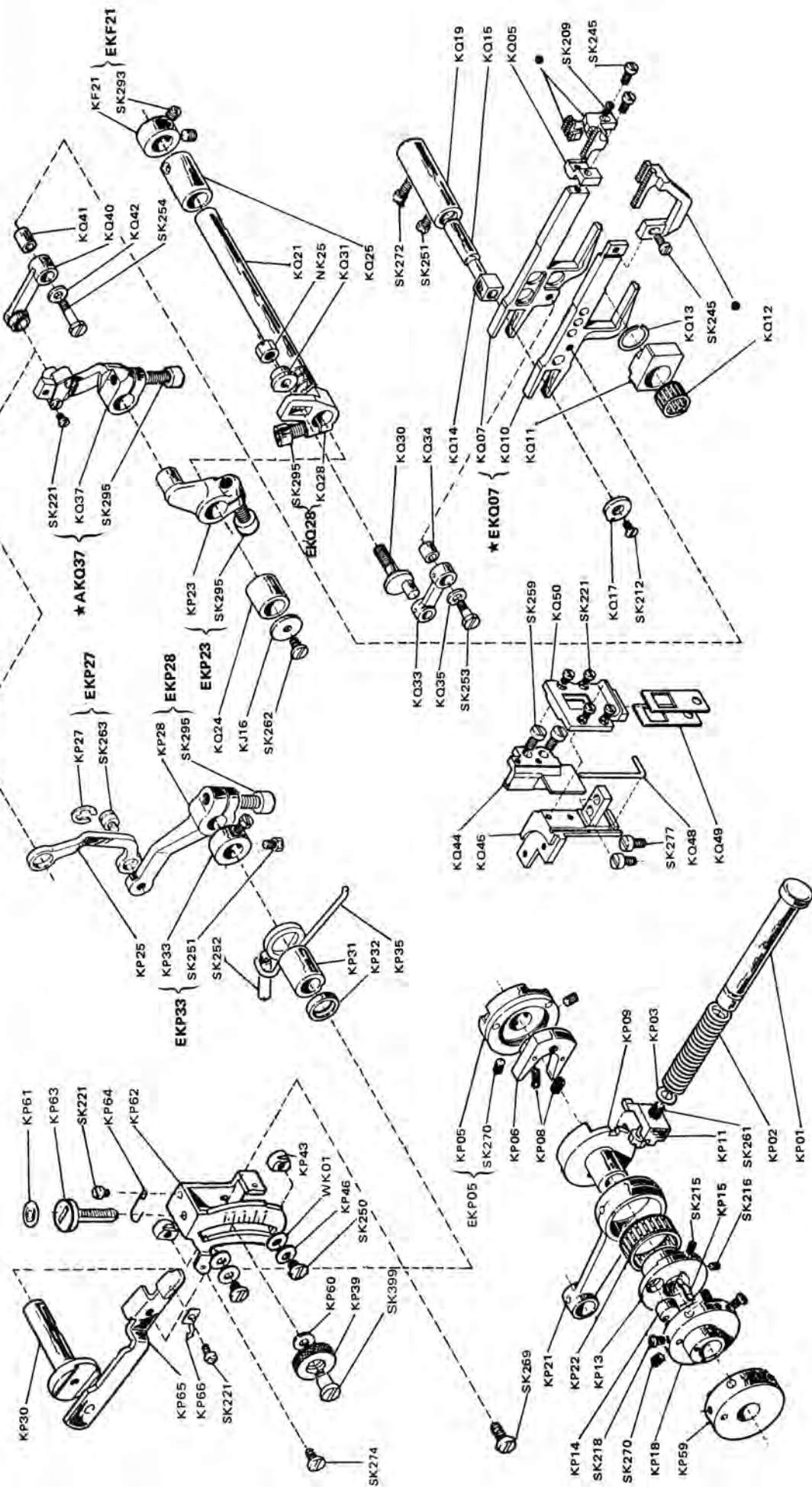
PARTS LIST FOR KR KS GROUP



REMARK: ▲ PARTS FOR 3,4 THREAD MACHINE.
 ■ PARTS FOR 5 THREAD MACHINE.

● PARTS NUMBER IS LISTED IN CONVERSION CHART.
 ★ PARTS CAN ONLY BE SUPPLIED PER GROUP.

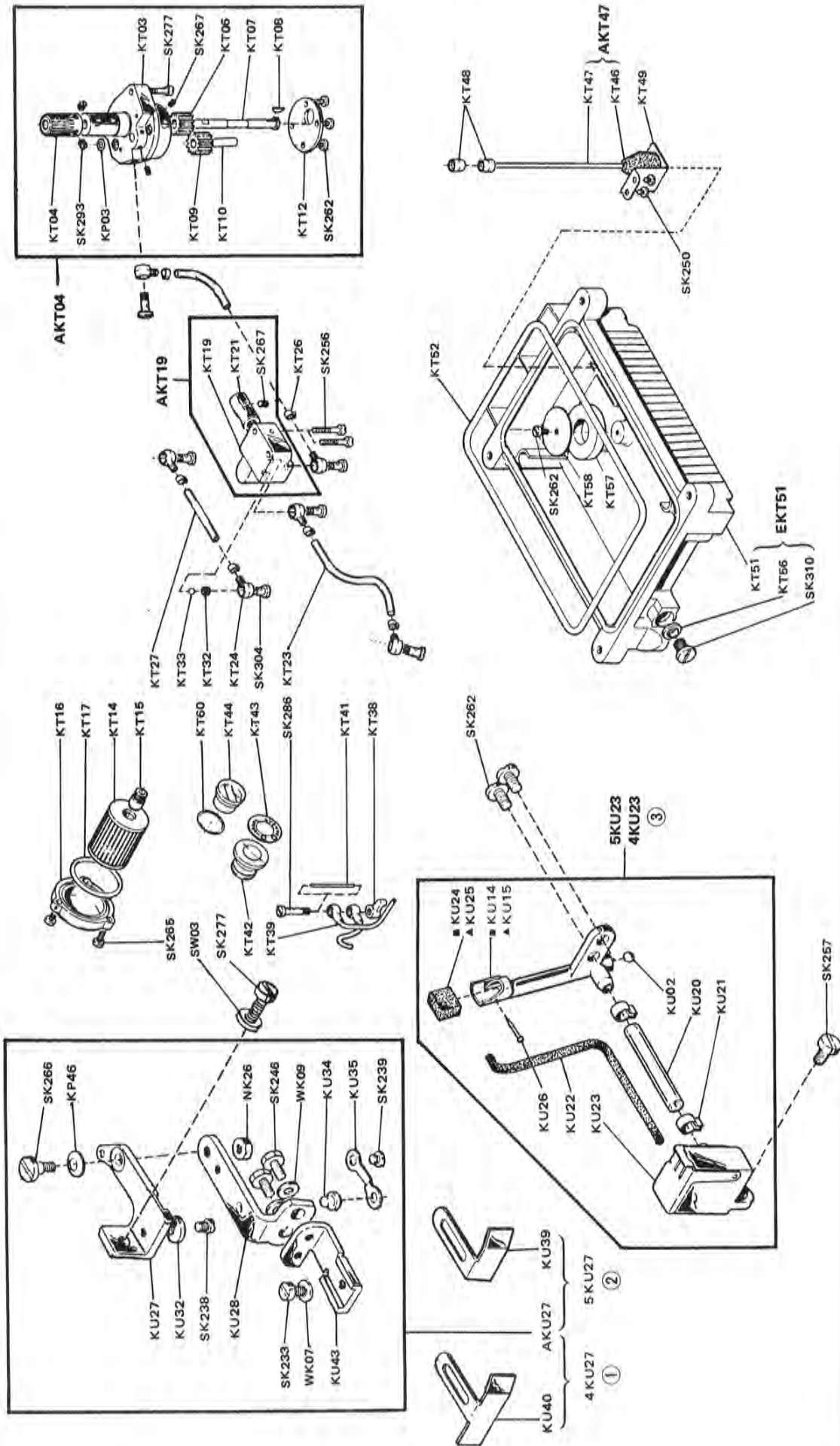
PARTS LIST FOR KP KO GROUP



REMARK: ▲ PARTS FOR 3,4 THREAD MACHINE.
 ■ PARTS FOR 5 THREAD MACHINE.

● PARTS NUMBER IS LISTED IN CONVERSION CHART.
 ★ PARTS CAN ONLY BE SUPPLIED PER GROUP.

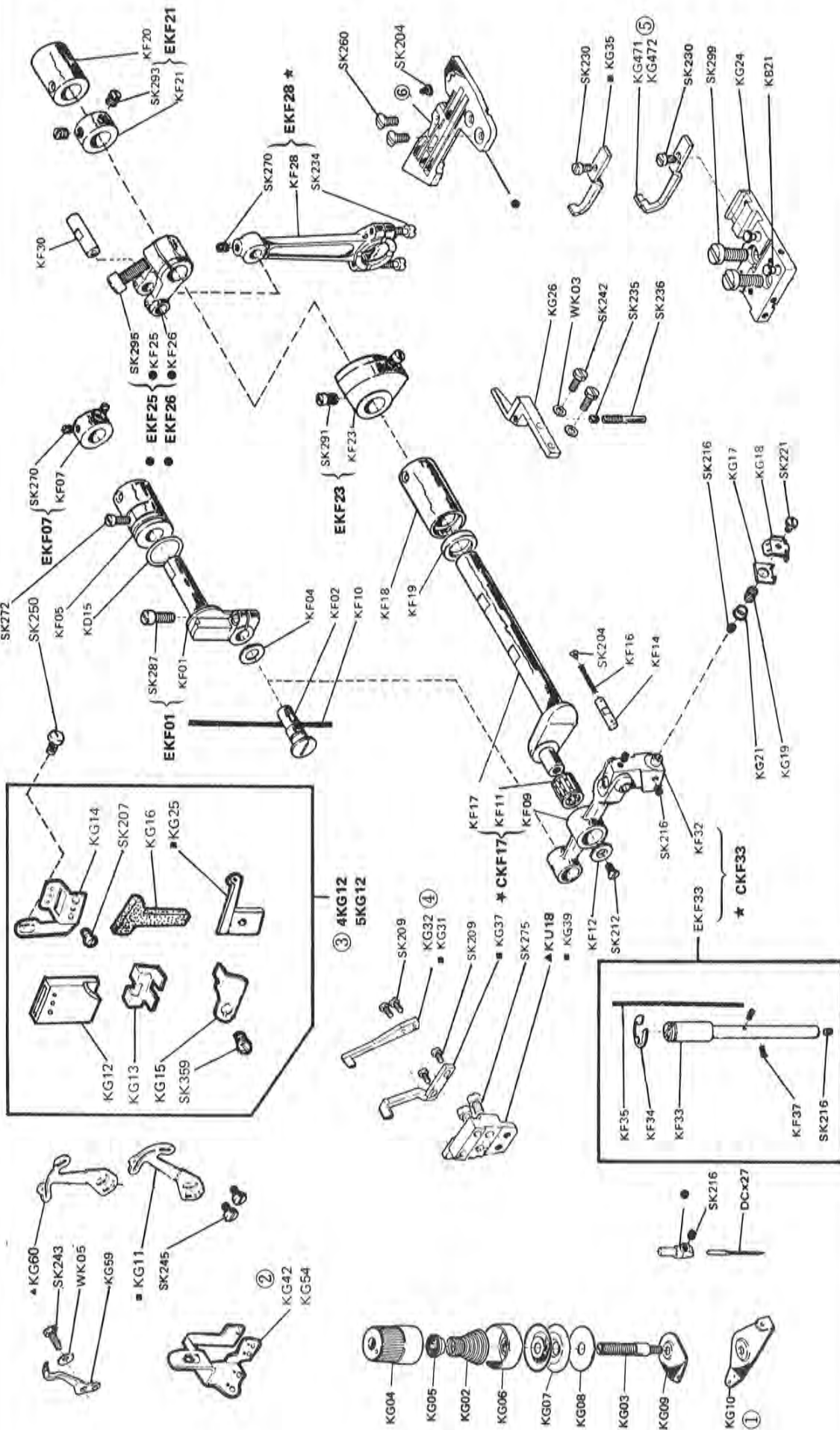
PARTS LIST FOR KT KU GROUP



Special description: ① 4KU27 FOR 4 THREAD. ③ 4KU23 FOR 4 THREAD.
 ② 5KU27 FOR 5 THREAD. ④ 5KU23 FOR 5 THREAD.

REMARK: ▲ PARTS FOR 3,4 THREAD MACHINE. ● PARTS NUMBER IS LISTED IN CONVERSION CHART.
 ■ PARTS FOR 5 THREAD MACHINE. ★ PARTS CAN ONLY BE SUPPLIED PER GROUP.

PARTS LIST FOR KF KG GROUP



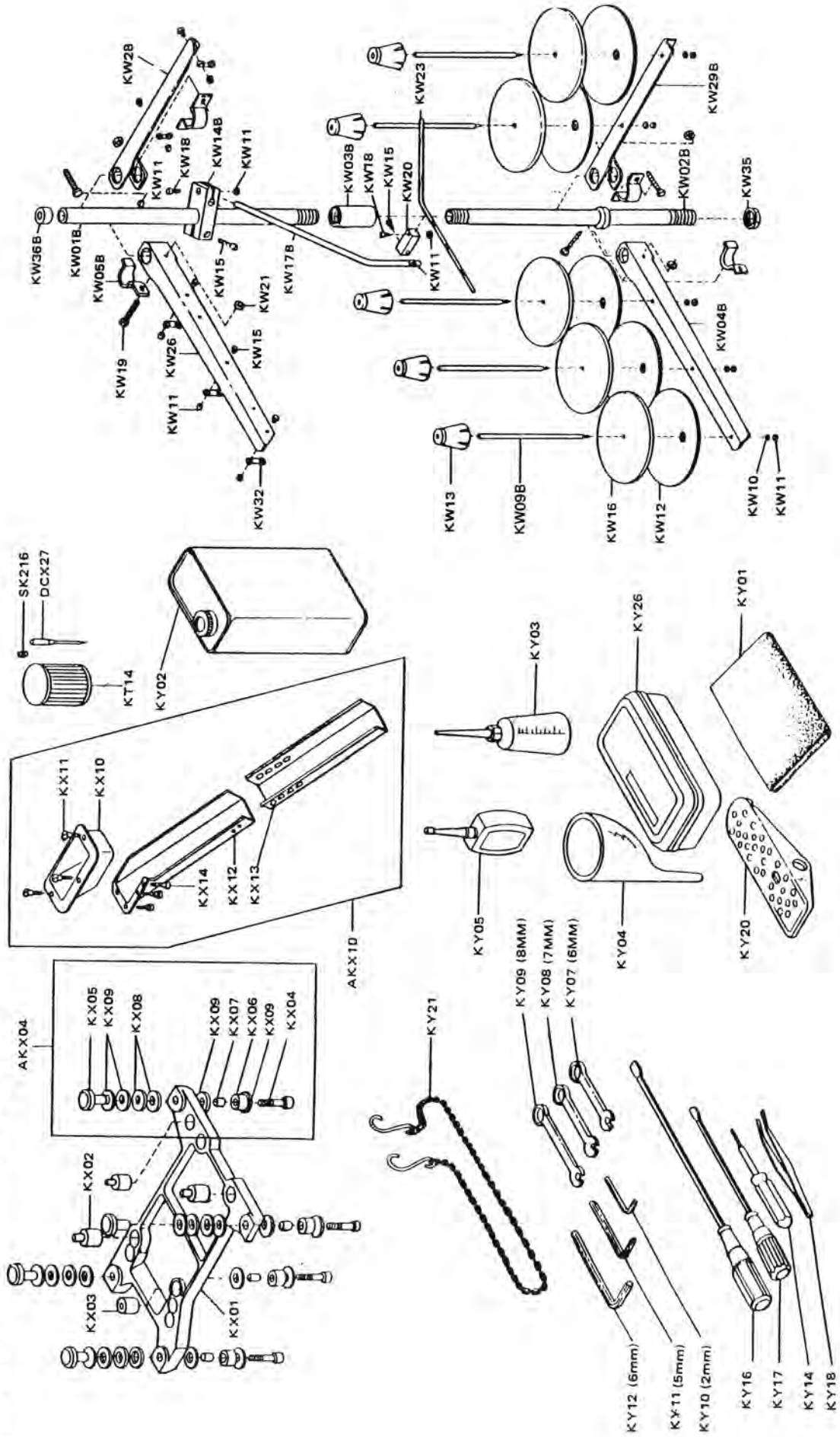
Special description: ① KG10 FOR 4, 5 THREAD.
 ② KG42 FOR 2, 3, 5 THREAD.
 KG54 FOR 4, 6 THREAD.

③ 4KG12 FOR 3,4 THREAD.
 5KG12 FOR 5 THREAD.
 ④ KG32 FOR 6 THREAD.

⑤ KG471 FOR 3 THREAD.
 KG472 FOR 4 THREAD.
 ⑥ NEEDLE PLATE TONGUE
 NPT03 - 3mm
 NPT04 - 4mm
 NPT05 - 5mm
 NPT06 - 6mm

REMARK: ▲ PARTS FOR 3, 4 THREAD MACHINE.
 ■ PARTS FOR 5 THREAD MACHINE.
 ● PARTS NUMBER IS LISTED IN CONVERSION CHART.
 ★ PARTS CAN ONLY BE SUPPLIED PER GROUP.

PARTS LIST FOR KW KX KY GROUP

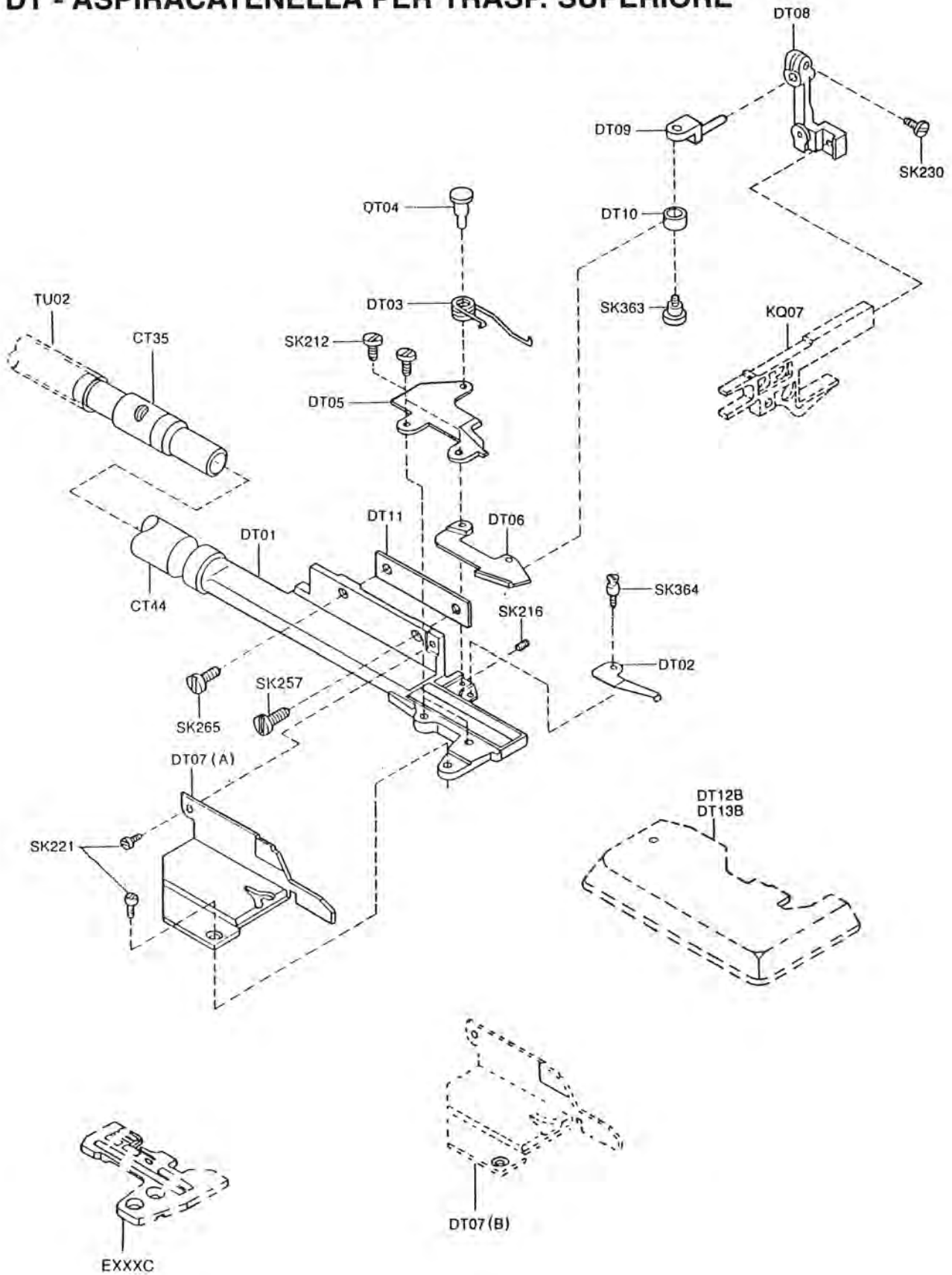


Special description:
 3KW01 – Thread Stand Complete for 3 Thread
 4KW01 – Thread Stand Complete for 4, 5 Thread
 6KW01 – Thread Stand Complete for 6 Thread

REMARK:
 ▲ PARTS FOR 3,4 THREAD MACHINE.
 ■ PARTS FOR 5 THREAD MACHINE.
 ● PARTS NUMBER IS LISTED IN CONVERSION CHART.
 ✱ PARTS CAN ONLY BE SUPPLIED PER GROUP.

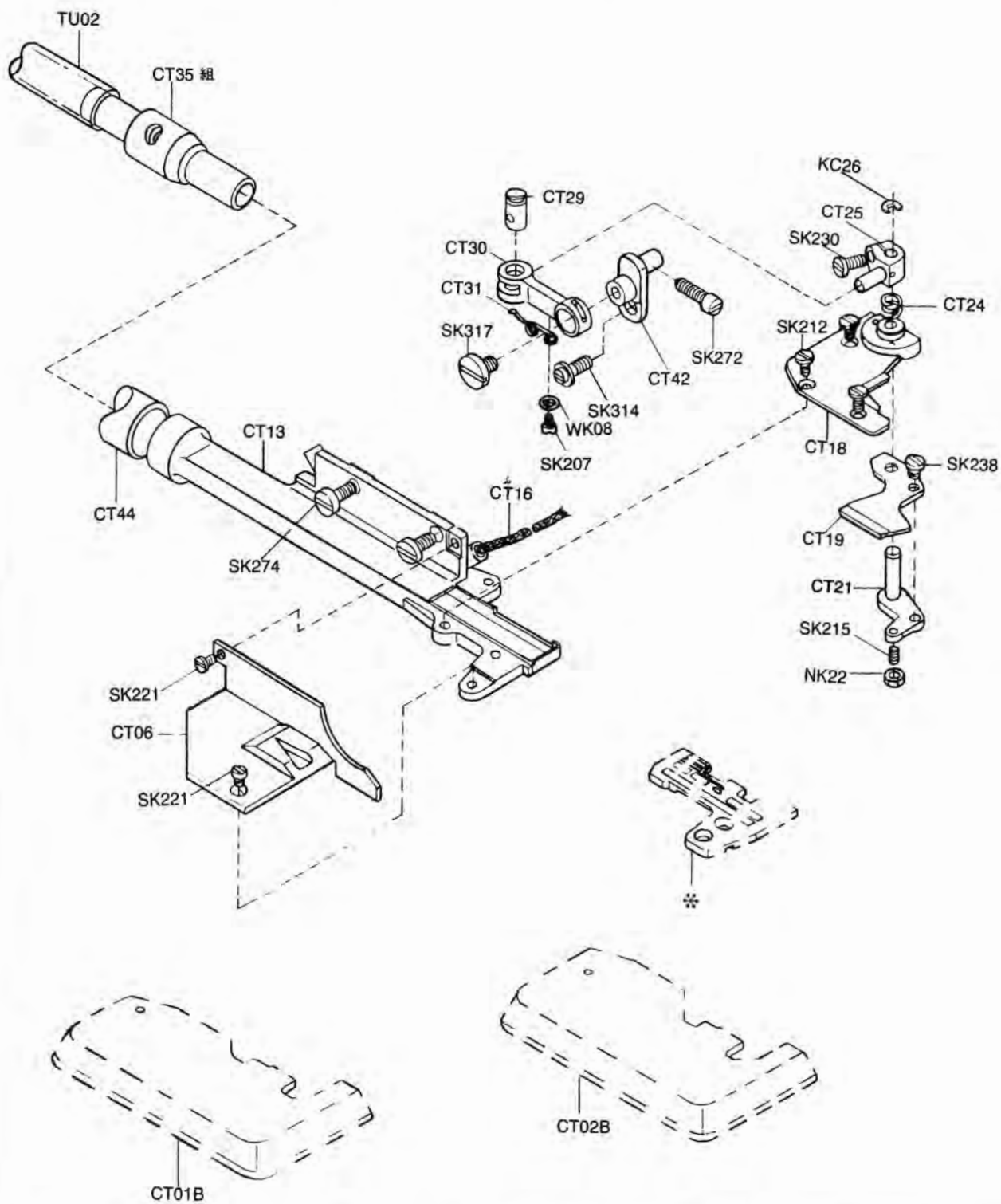
RICAMBI SIRUBA

DT - ASPIRACATENELLA PER TRASP. SUPERIORE



RICAMBI SIRUBA

CT - GRUPPO ASPIRACATENELLA ORIZZONTALE

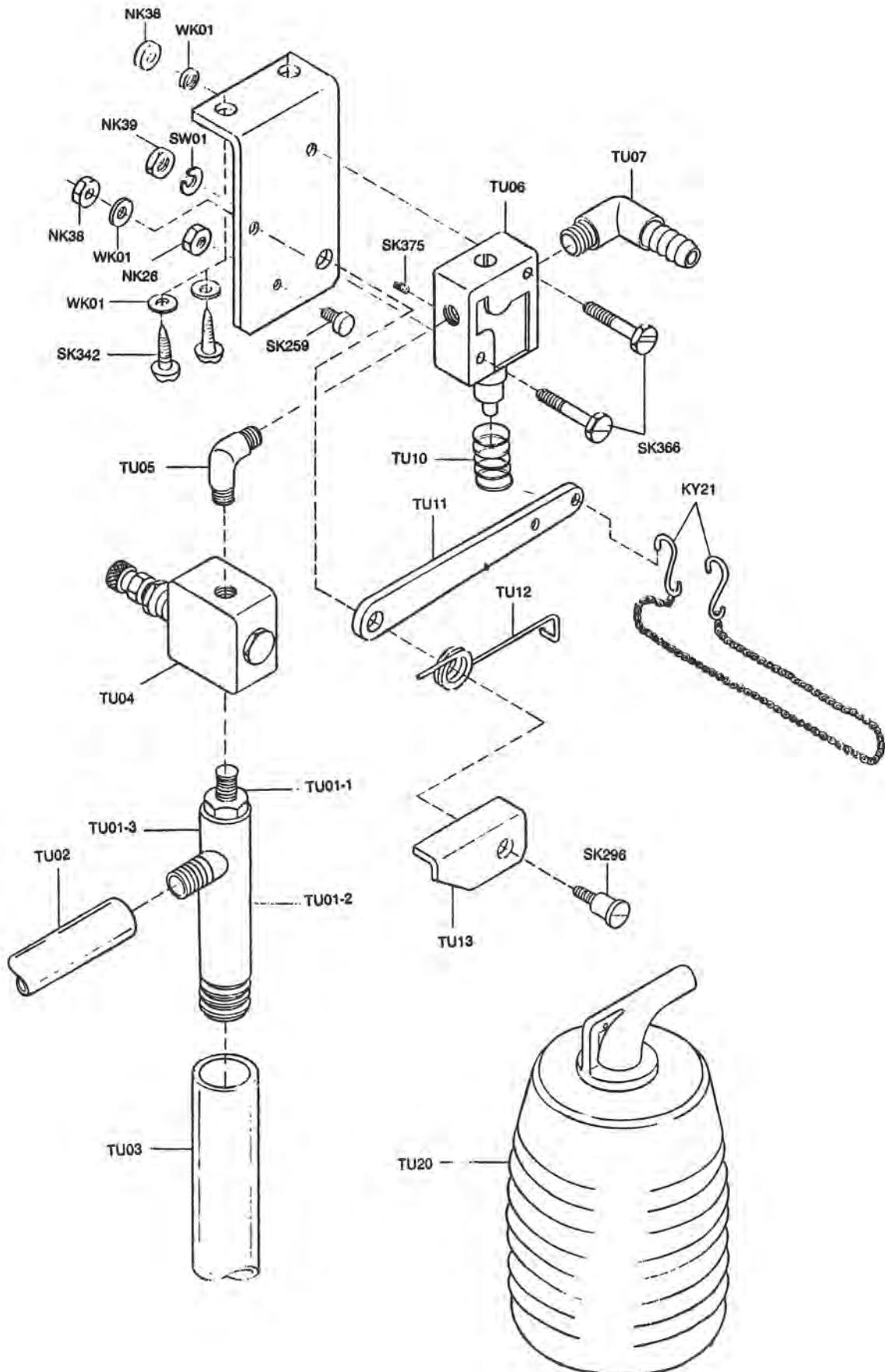


COMPATIBILI: MAUSER - PEGASUS/WG - NECCHI 615/800 - GOLDEX - CONSEW

SINGER 861/862/872 - RIMOLDI 427/429

Cat. No. 03 - CT02/July 1987

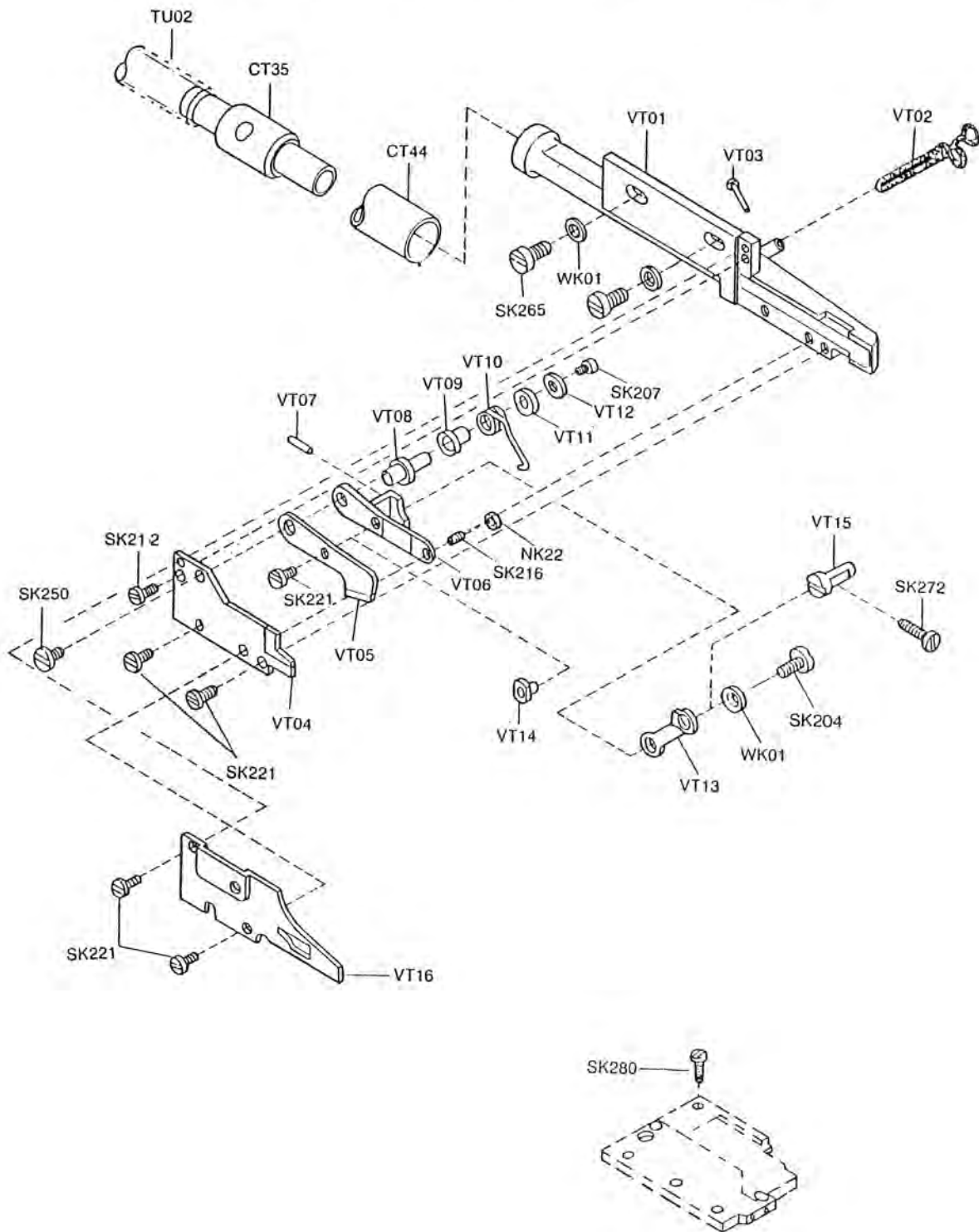
RICAMBI SIRUBA



RICAMBI SIRUBA

VT PNEUMATIC CHAIN CUTTER

GRUPPO ASPIRACATENELLA VERTICALE



COMPATIBILI: MAUSER - PEGASUS/WG - NECCHI 615/800 - GOLDEX - CONSEW

SINGER 861/862/872 - RIMOLDI 427/429

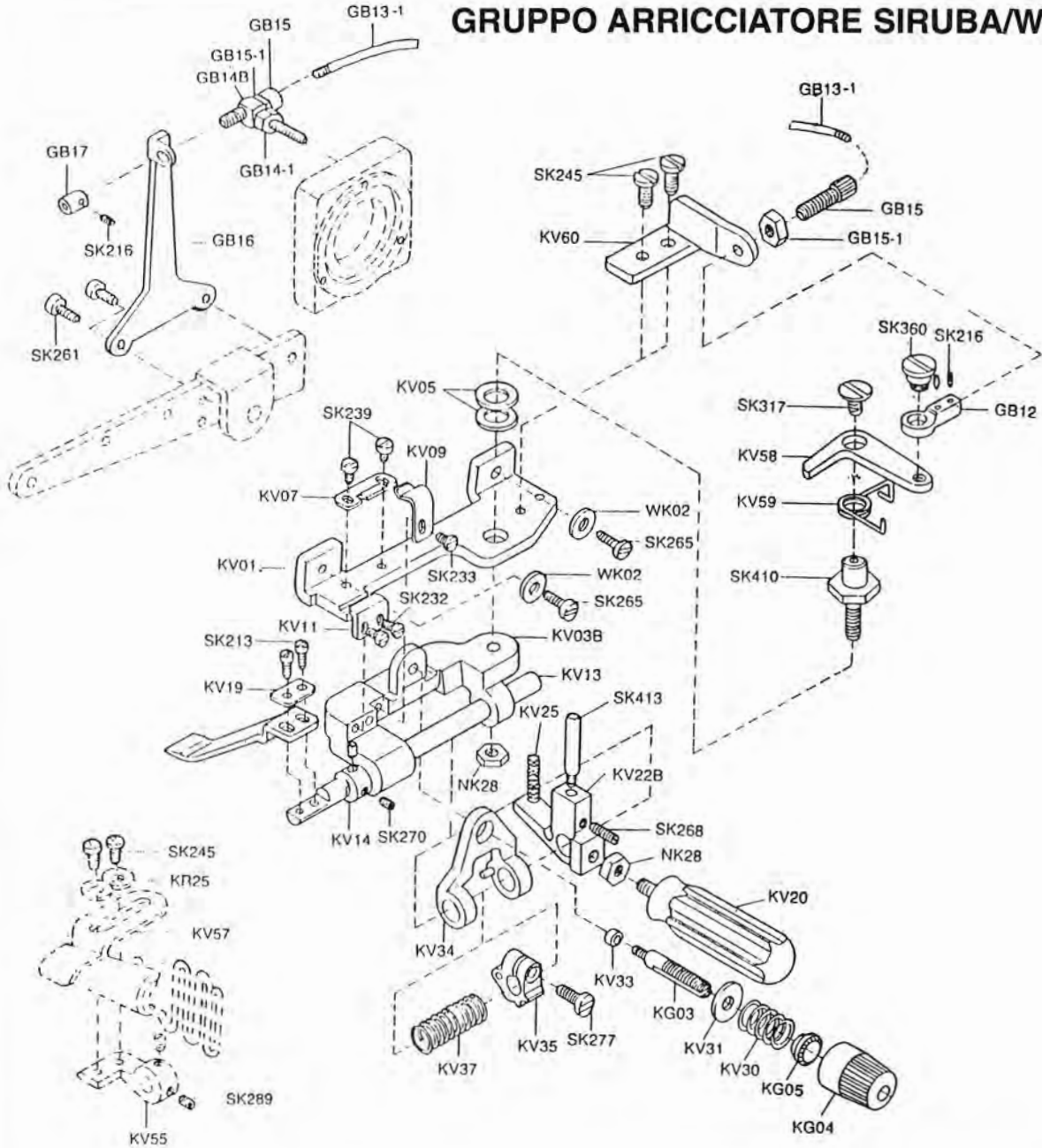
RICAMBI SIRUBA



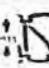




COMPATIBILI: MAUSER - PEGASUS/WG - NECCHI 615/800 - GOLDEX - CONSEW

SINGER 861/862/872 - RIMOLDI 427/429

GA GATHERING DEVICE

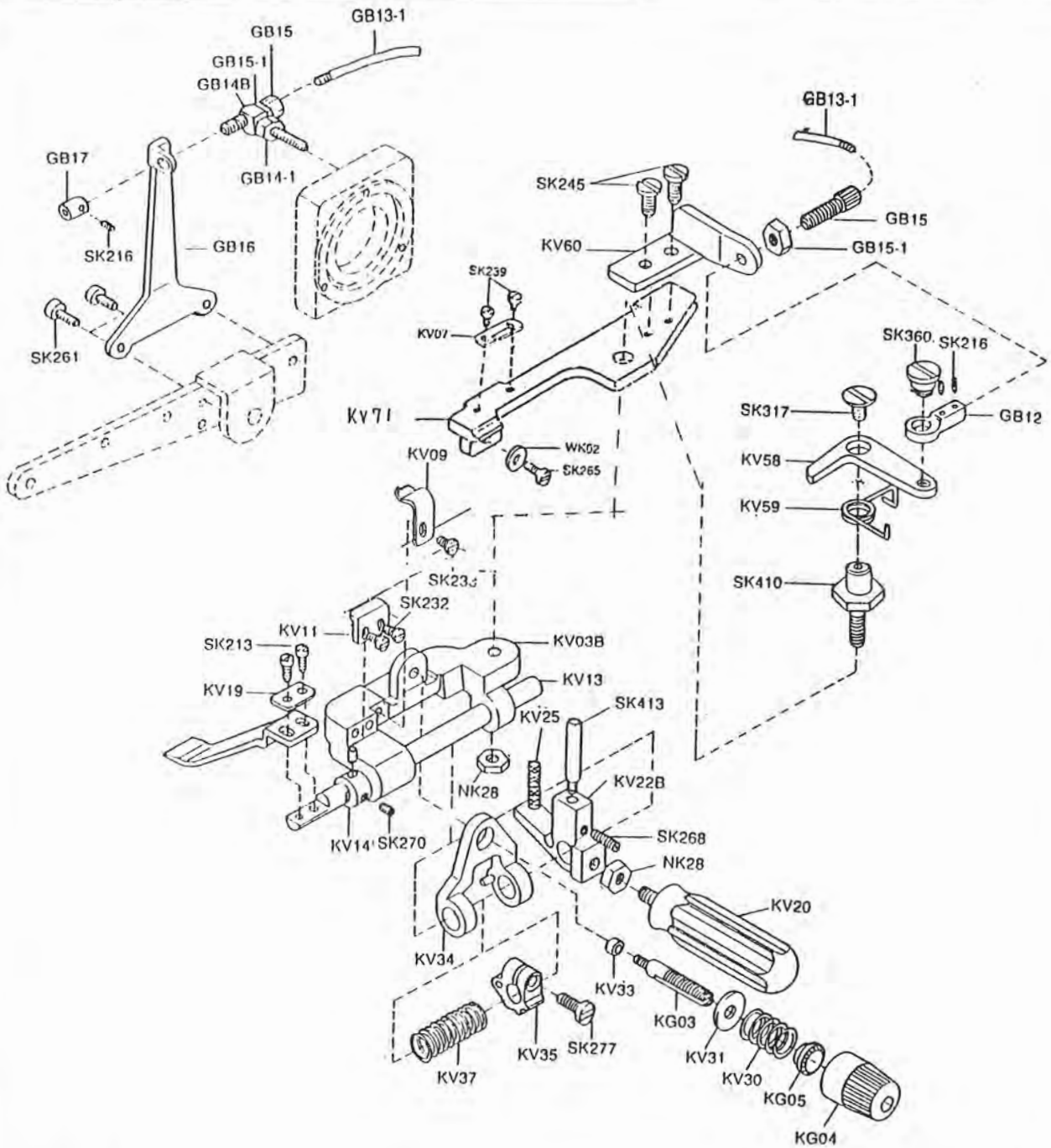
GRUPPO ARRICCIATORE SIRUBA/WG



|  |  |  |  |  |  |  | |
|---|---|---|---|---|---|---|------|
| 3 | | 4 | E800 | H959 | (D996) | P136 | KV16 |
| 4 | 2 | 4 | E809 | | (D958 + D095) | | |
| 5 | 2 | 5 | E810 | H957 | D002 (D008 + D502) | P508 + KS42B + SK210 | KV17 |
| | 3 | 3 | E980 | | | | |
| | 3 | 5 | E982 | | | | |
| | 5 | 5 | E986 | | D003 (D956 + D502) | P509 + KS42B + SK210 | |

RICAMBI SIRUBA

GH GATHERING DEVICE FOR 800 SERIES



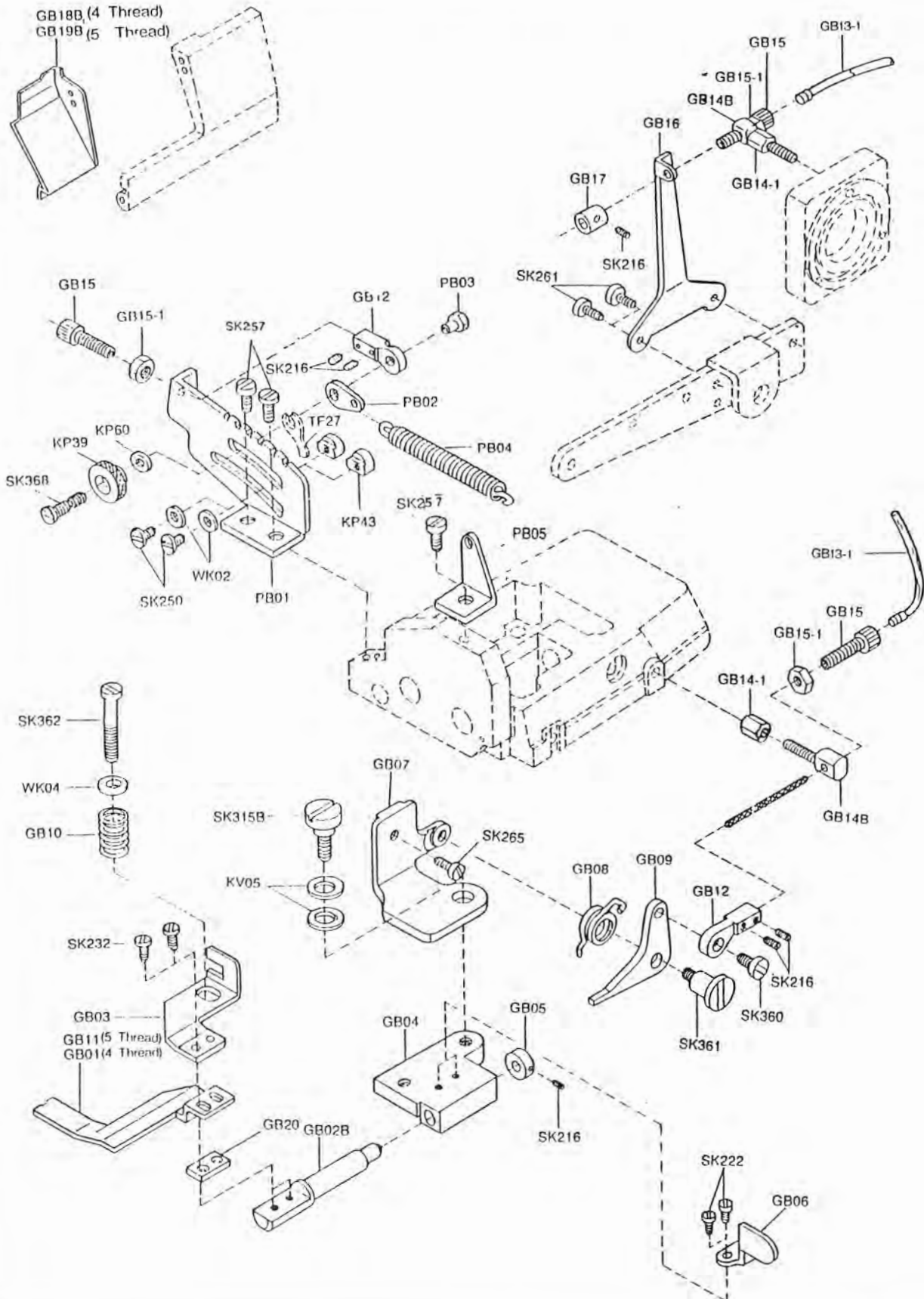
| 3 | | 4 | E800 | H959 | (D996) | P136 | 'KV16 |
|---|---|---|------|------|-----------------------|-------------------------|-------|
| 4 | 2 | 4 | E809 | | (D958 + D095) | | |
| 5 | 2 | 5 | E810 | H957 | D002 (D008 + D502) | P508 + KS42B + SK210 | 'KV17 |
| | 3 | 3 | E980 | | D003 (D956 + D502) | | |
| | 3 | 5 | E982 | | | P509 + KS42B + SK210 | |
| | 5 | 5 | E986 | | | | |

RICAMBI SIRUBA

COMPATIBILI: MAUSER - PEGASUS/WG - NECCHI 615/800 - GOLDEX - CONSEW

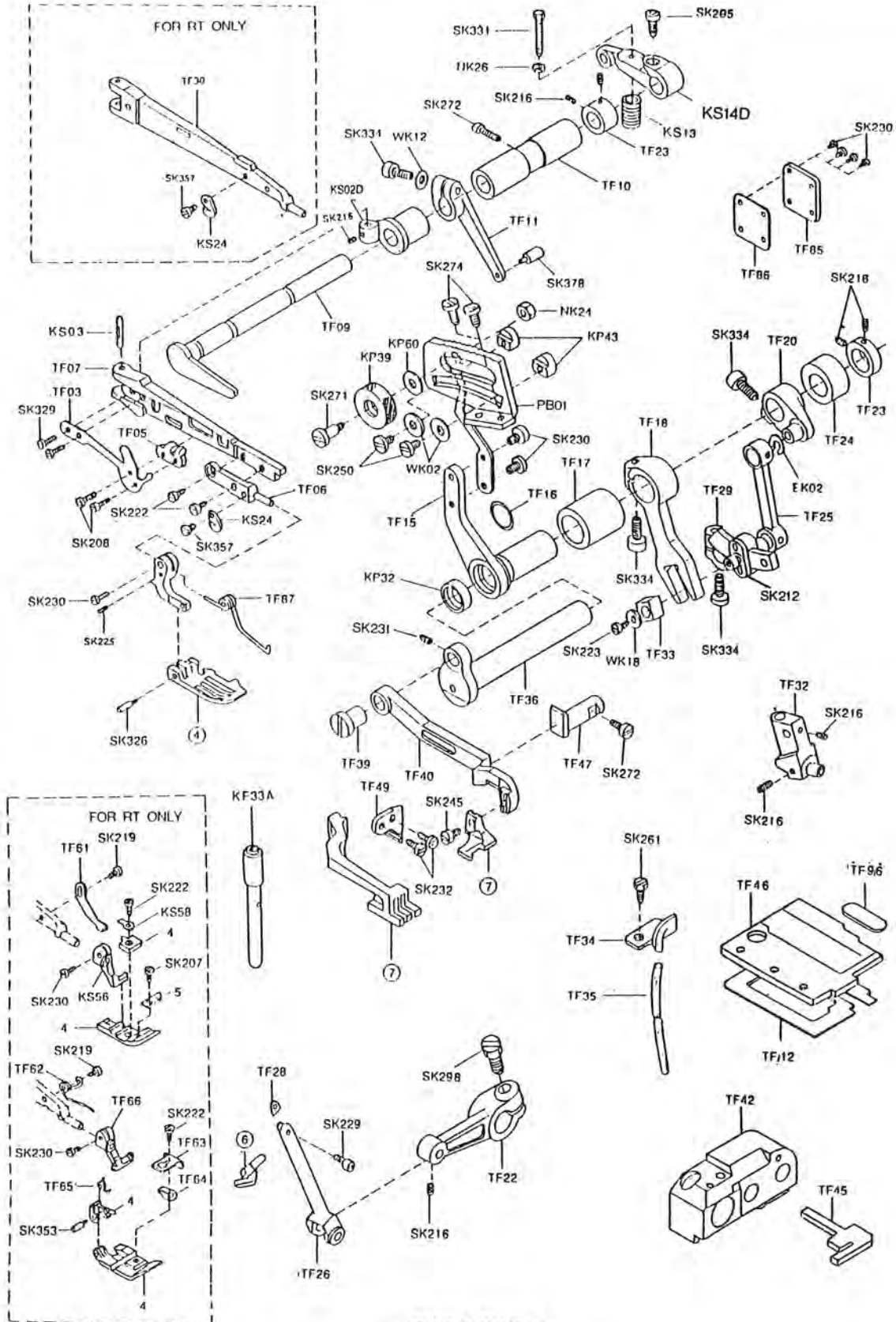
SINGER 861/862/872 - RIMOLDI 427/429

GB - ARRICCIATORE PER TRASPORTO SUPERIORE




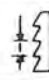




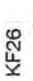

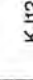



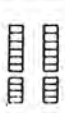

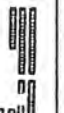
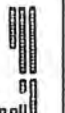
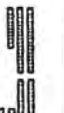



RICAMBI SIRUBA

GRUPPO TRASPORTO SUPERIORE

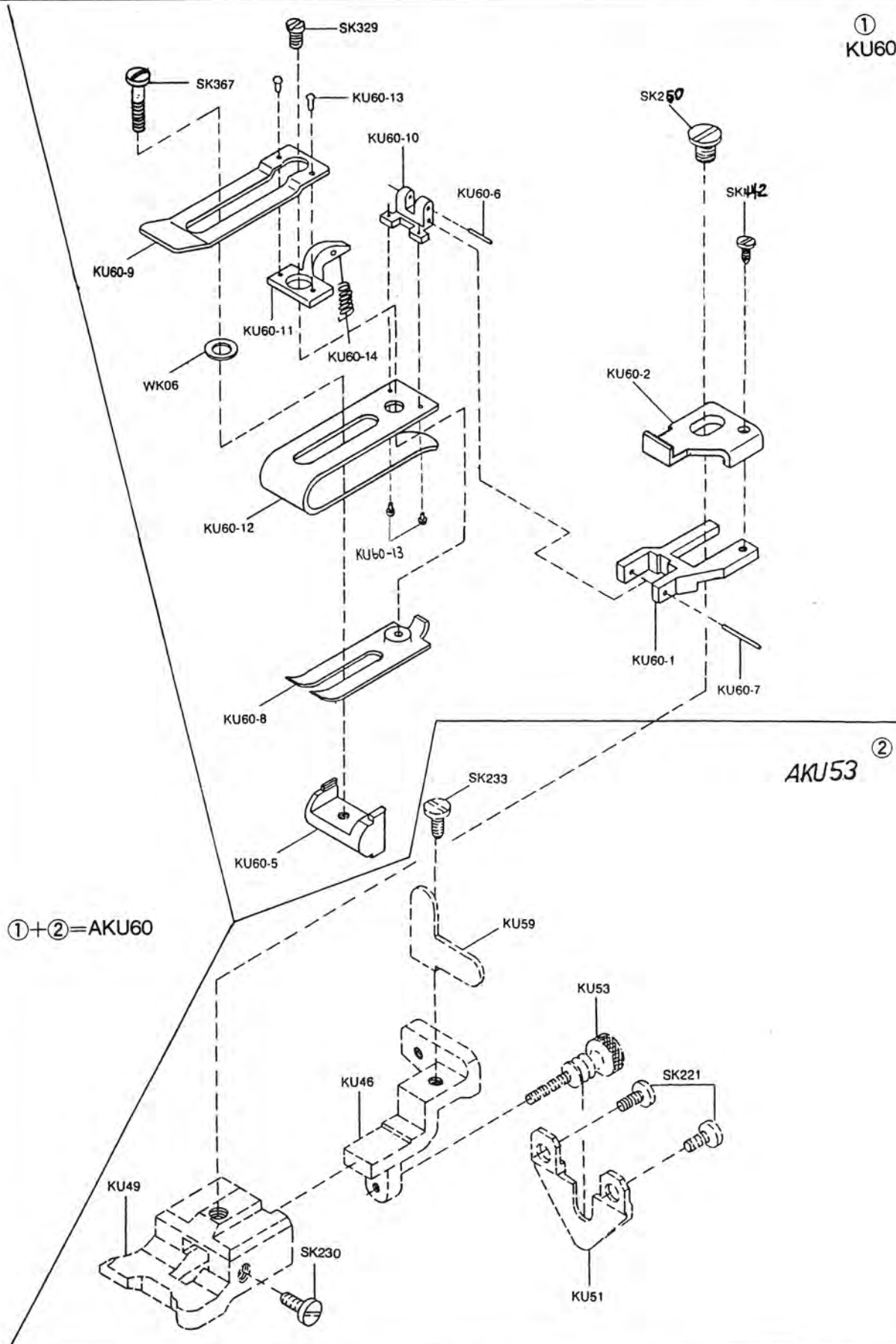


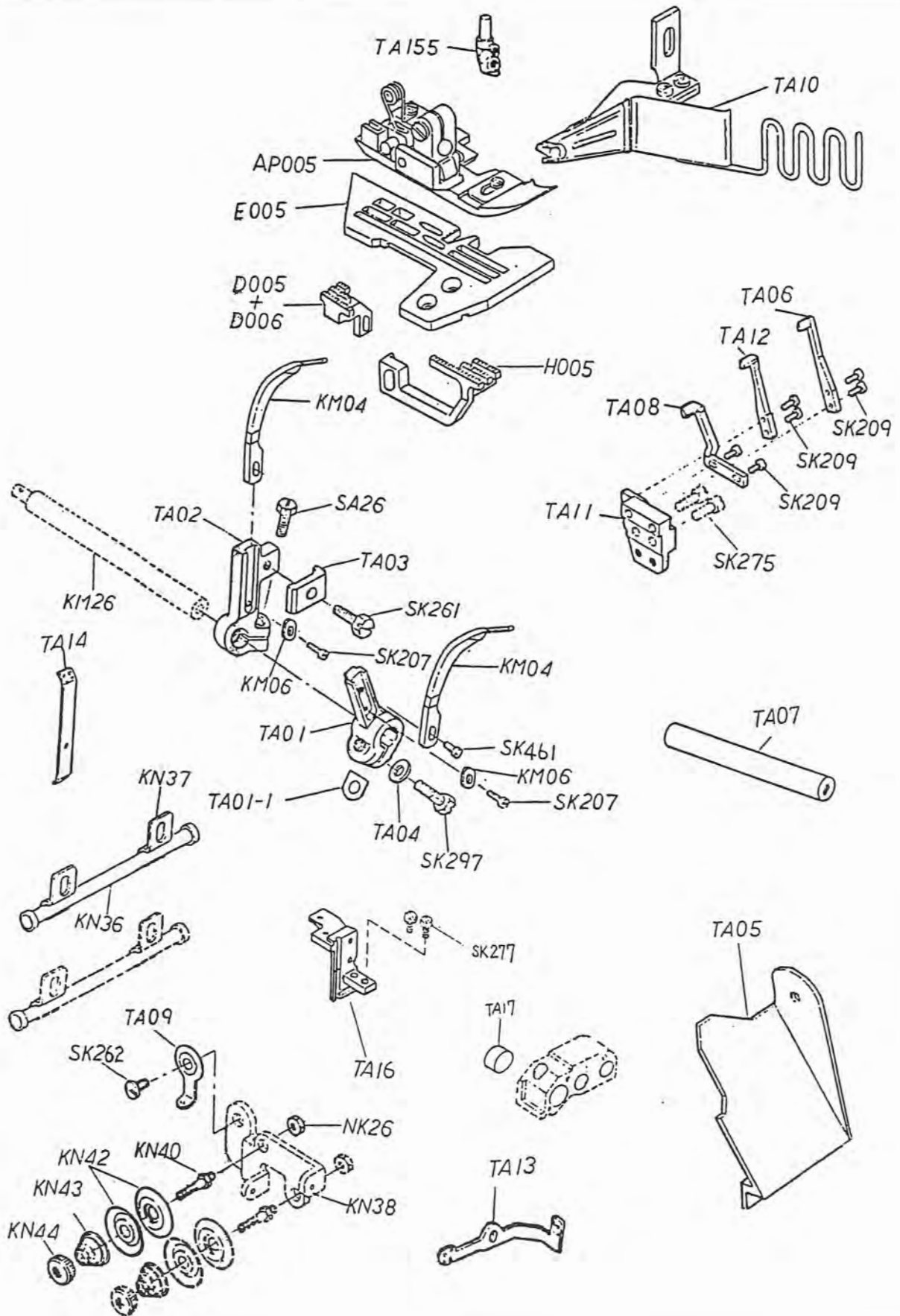
SPARE PARTS CONVERSION CHART FOR TOP FEED MACHINE

| MODEL | Gauge NG SM |  |  |  |  |  |  |  |  |  |  |  |  |  |  |
|----------------|-------------|---|---|---|---|---|---|---|---|---|---|---|---|---|---|
| 747FT-514M2-24 | 24 | E809 | (D575) D440 + D095 | H445 | 1.6 | P454 | LP38 | KG142 | D453 | KF26 Hi | KJ11B | KJ12 | #9 | 6.0 |  |
| 514H4-24 | 24 | E809 | (D575) D440 + D095 | H445 | 1.6 | P454 | LP38 | KG142 | D453 | KF26 Hi | KJ11B | KJ12 | #9 | 6.0 |  |
| 757FT-516M2-35 | 35 | E861 | (D581) D489 + D502 | H497 H500 | 1.6 | P466 P463 | LP38 | KG153 KG155 | D469 | KF26 Hi | KJ11B | KJ12 | #14 | 6.0 |  |
| 516H4-56 | 35 56 | E861 E866 | (D581) D489 + D502 | H498 H500 | 2.5 | P466 P463 | LP38 | KG153 KG155 | D469 | KF26 Hi | KJ11B | KJ12 | #14 | 6.0 |  |
| 747RT-514M2-24 | 24 | E809 | (D575) D440 + D095 | H445 | 1.6 | P068/F875 | LP38 | KG142 | D070 | KF26 Hi | KJ09B | KJ12 | #9 | 6.0 |  |
| 757RT-516M2-35 | 35 | E169 | (D065) D066 + D067 | H497 H500 | 1.6 | P053 P056 | LP38 | KG153 KG155 | D064 | KF26 Hi | KJ11B | KJ12 | #14 | 6.0 |  |
| | | | | | | | | | | | | | | | |
| | | | | | | | | | | | | | | | |
| | | | | | | | | | | | | | | | |

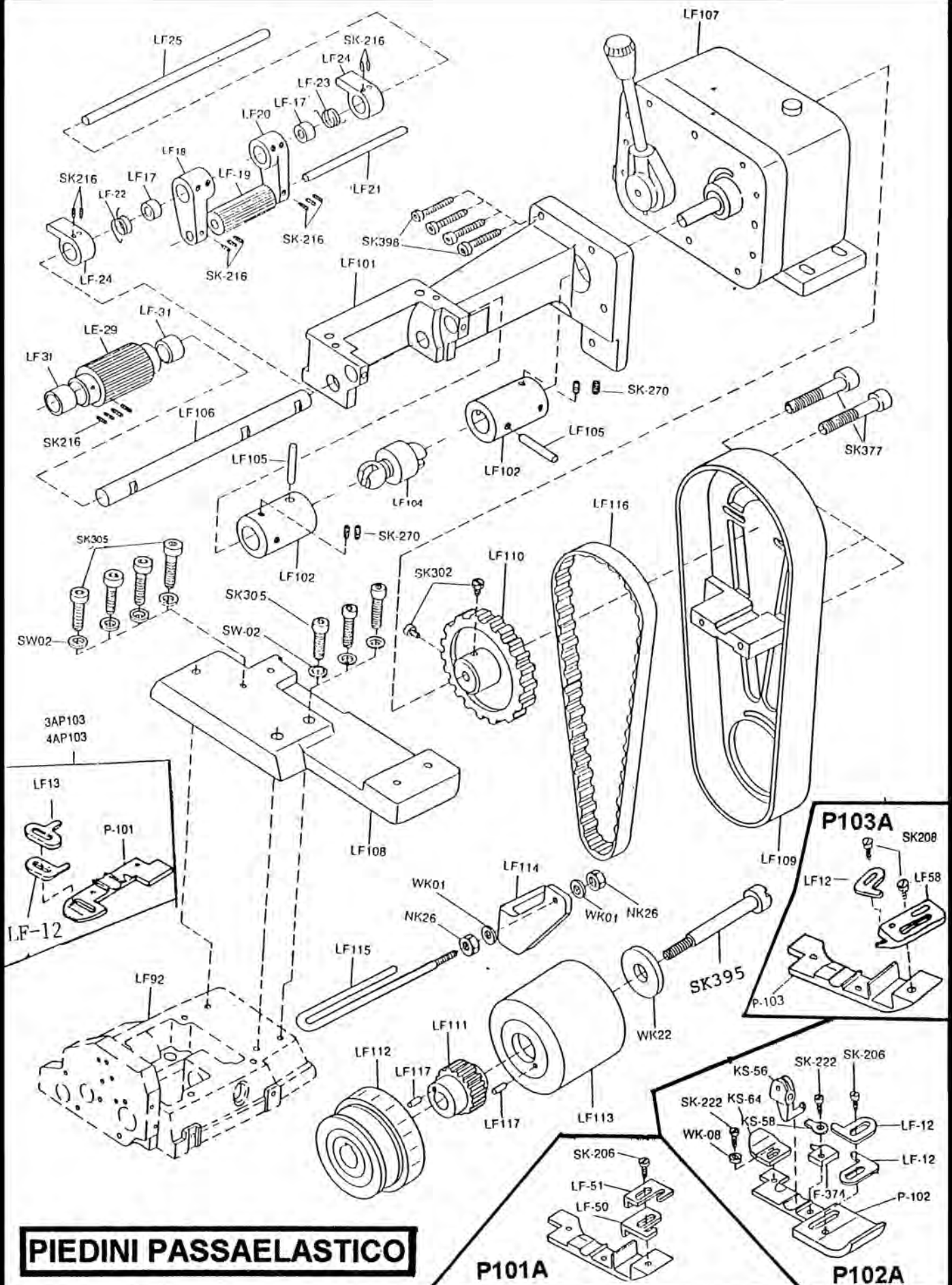
COMPATIBILI : MAUSER - PEGASUSWG - NECCHI 615/800 - GOLDEX - CONSEW
SINGER 861/862/872 - RIMOLDI 427/429

①
KU60





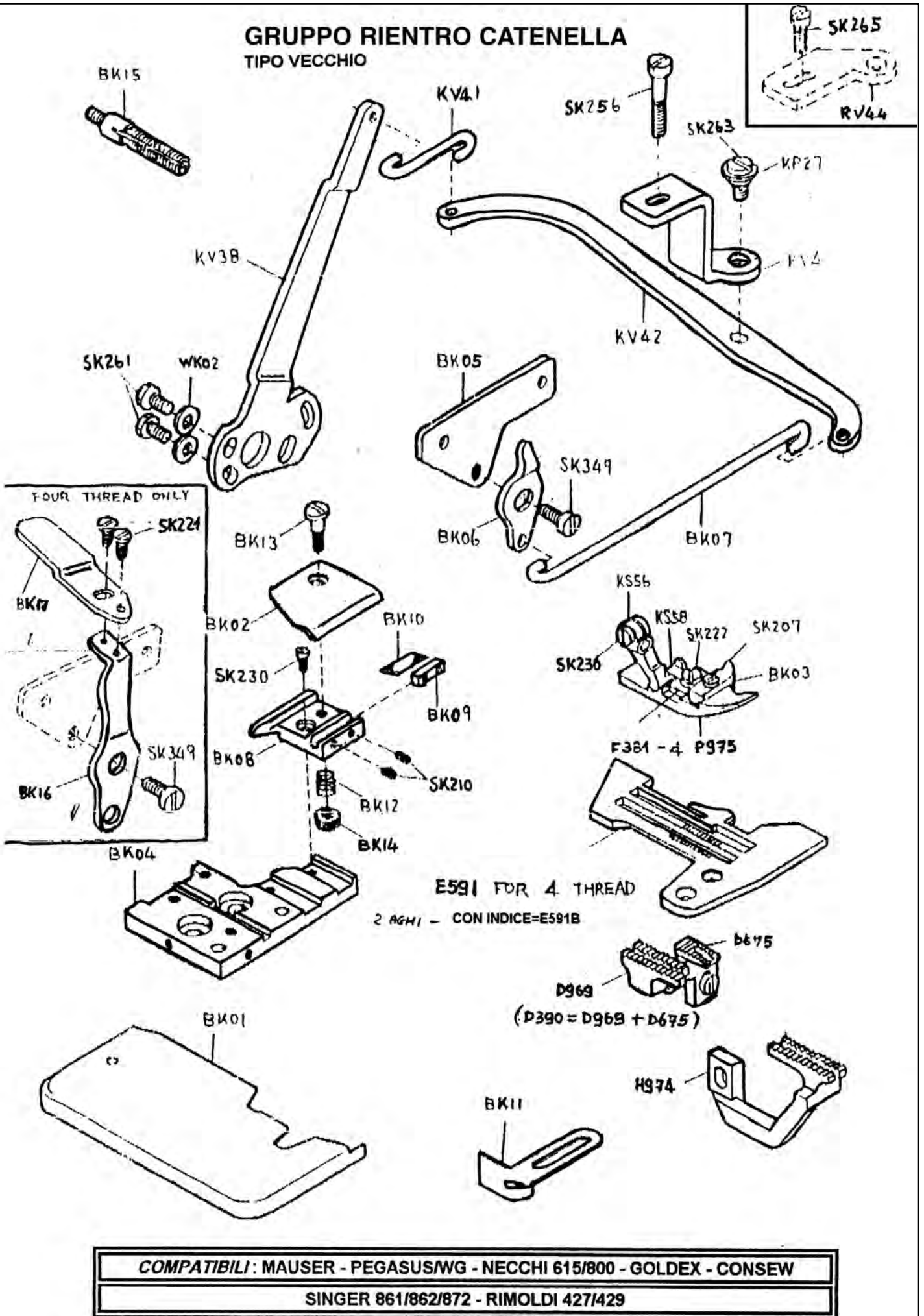
RICAMBI SIRUBA



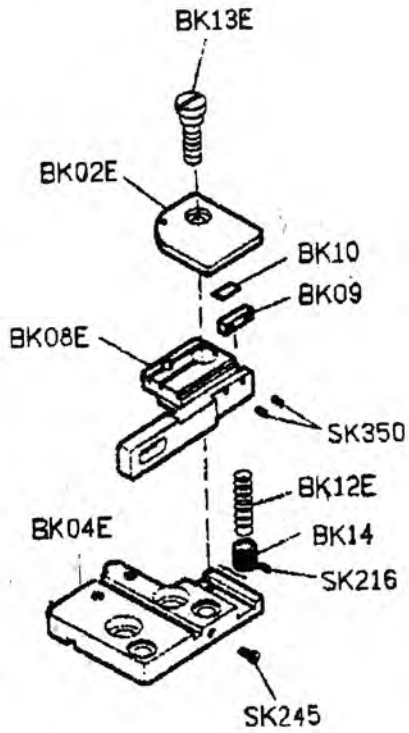
PIEDINI PASSAELASTICO

RICAMBI SIRUBA

GRUPPO RIENTRO CATENELLA TIPO VECCHIO

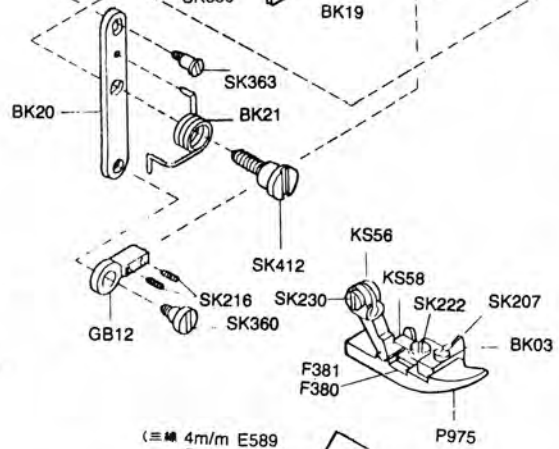
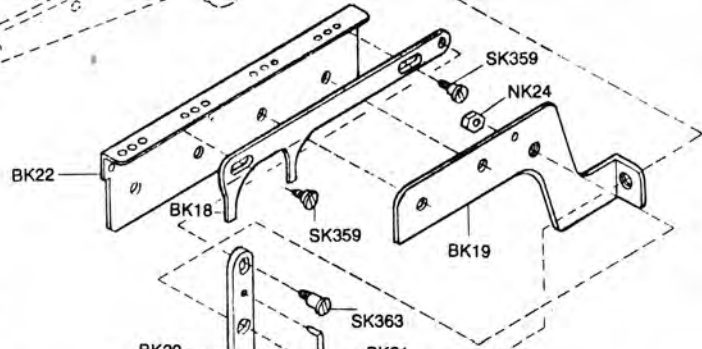
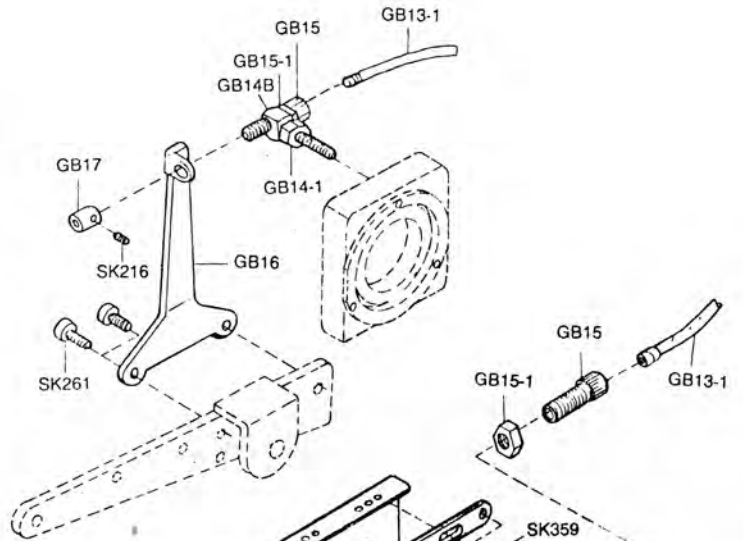
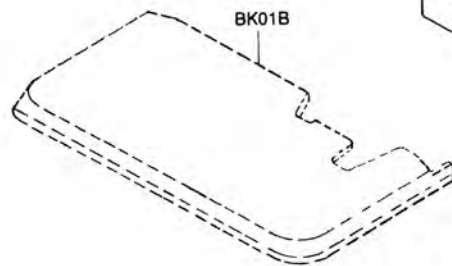
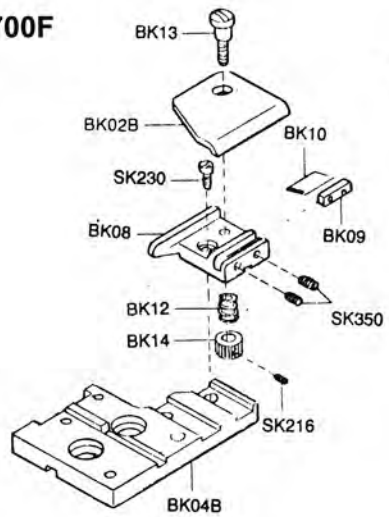


RICAMBI SIRUBA

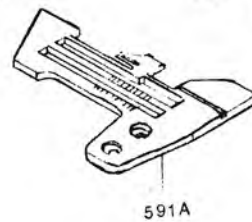
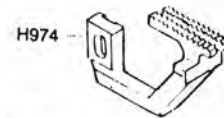
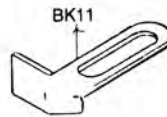


**Versione per 700E
BK08E-A**

**Versione per 700F
BK08F-A
+ BK04F-A**



(三 4m/m E589
5m/m E590)
(四 E591)



RICAMBI SIRUBA

TABELLE DI CONVERSIONE

Le pagine precedenti riportano i ricambi comuni a tutte le versioni di tagliacuci.

Le tabelle seguenti riportano invece tutte le trasformazioni relativamente alle classi e alle versioni trattate, Vi sarà quindi facile identificare il modello di vostro interesse.

Ricordiamo che per le versioni W&G è molto spesso sufficiente eliminare i primi tre numeri per avere il corrispondente.

es: W&G 210810 = SIRUBA E810

W&G 210575 = SIRUBA D575

(GOLDEX)

| SEWING TYPE -SPEC | GAUGE NG SM | NEEDLE PLATE ① | (FEED COMP.) MAIN + AUX. ② | DIFF. FEED DOG ③ | SHAPE | PITCH | PRESSER FOOT COMP ④ | FABRIC GUARD ⑤ | UPPER LOOPER ⑥ | SPREA- DER ⑦ | NEEDLE HOLDER ⑧ | NEEDLE DRIVE CRANK ⑨ | UPPER LOOPER DRIVE CRANK ⑩ |
|------------------------|--------------------------|------------------------------|---|------------------------|-------|-------|------------------------------|----------------------|----------------------|--------------------|----------------------------------|----------------------------|----------------------------------|
| 503F1 - 04 | 4 | E784 | (D569) D438 + D674 | H442 | | 1.6 | P152E/ F155C | | | LP21 | KG131 | KF25 STD | KJ09 |
| 504M1 - 15 | 1.5 | E934 | (D290) D438 + D912 | H442 | | 1.6 | P152E F525 | KS62 | LP22 | | KG131 | KF25 STD | KJ09 |
| 504M2 - 04 | 4 | E800 | (D574) D440 + D674 | H445 | | 1.6 | P210C/ F171 | KS62 | LP22 | | KG131 | KF25 STD | KJ09 |
| 504M3 - 04 05 | 4 5 | E796 E797 | (D574) D440 + D674 | H445 | | 1.6 | P23C/ F371 | KS62 | LP22 | | KG131 | KF25 STD | KJ09 |
| 504H4 - 04 | 4 | E800 | (D996) D958 + D095 | H959 | | 1.6 | P136 | | LP24 | | KG131 | KF26 GA, HI | KJ11 |
| 505F1 - 03 04 | 3 4 | E783 E784 | (D569) D438 + D674 | H442 | | 1.6 | P152E/ F155C | | LP22 | | KG131 | KF25 STD | KJ09 |
| 512M1 - 24 25 | 2 4 2 5 | E809 E810 | (D575) D440 + D095 | H445 | | 1.6 | P25J/ F374 | KS62 | LP34 | | KG142 | KF26 HI | KJ11 |
| 512M2 - 36 | 3 6 | E834 | (D575) D440 + D095 | H447 | | 1.6 | P799/F378 | KS62 | LP34 | | KG143 | KF26 HI | KJ11 |
| 514M2 - 24 25 | 2 4 2 5 | E809 E810 | (D575) D440 + D095 | H445 | | 1.6 | P25J/F503 P253, F374 | KS62 | LP24 | | KG142 | KF26 HI | KJ11 |
| 514M4 - 23 24 | 2 3 2 4 | E804 E805 | (D574) D440 + D674 | H445 | | 1.6 | P203C/ F503 | KS62 | LP24 | | KG142 | KF25 STD | KJ11 |
| 514H4 - 24 25 | 2 4 2 5 | E809 E810 | (D996) D958 + D095 | H959 | | 1.6 | P-36 | | LP24 | | KG142 | KF26 GA, HI | KJ11 |
| 516L1 - 33 35 | 3 3 3 5 | E837 E839 | (D579) D487 + D060 | H492 | | 1.6 | P504 | KS42 | LP22 | (LP21) | KG153 | KF25 STD | KJ11 |
| 516M1 - 33 35 55 | 2 4 3 3 3 5 5 5 | E842 E845 E847 E851 | (D581) D489 + D502 | H494 | | 1.6 | P500 P501 P501 P502 | KS42 | LP24 | (LP23) | KG152 KG153 KG153 KG155 | KF25 STD | KJ11 |
| 516H1 - 33 35 55 | 2 4 3 3 3 5 5 5 | E842 E845 E847 E851 | (D582) D490 + D502 | H495 | | 2.5 | P500 P501 P501 P502 | KS42 | LP24 | (LP23) | KG152 KG153 KG153 KG155 | KF26 HI | KJ11 |
| 516H4 - 35 55 | 3 3 3 5 5 5 | E980 E982 E986 | (D002) D008 + D502 (D002) D008 + D502 (D003) D958 + D502 | H957 | | 1.6 | P508 P508 P509 | KS42B | LP24 | (LP23) | KG153 KG153 KG155 | KF25 GA, STD | KJ11 |
| 516X1 - 55 56 | 5 5 5 6 | E853 E854 | (D582) D490 + D502 | H495 | | 2.5 | P555 | KS47 | LP24 | (LP23) | KG155 | KF26 HI | KJ11 |

RICAMBI SIRUBA




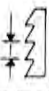








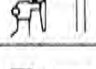
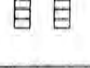
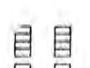
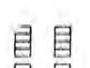
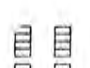
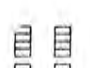
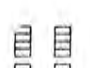
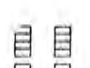
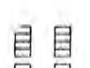
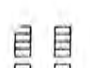
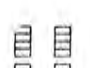
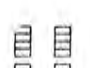
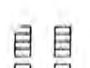
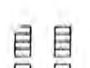
(SINGER)

| MODEL | GAUGE NG SM | NEEDLE PLATE ① | (FEED COMP.) MAIN + AUX. ② | DIFF. FEED DOG ③ | SHAPE | PITCH | PRESSER FOOT COMP ④ | FABRIC GUARD ⑤ | UPPER LOOPER ⑥ | SPREA- DER ⑦ | NEEDLE HOLDER ⑧ | NEEDLE DRIVE CRANK ⑨ | UPPER LOOPER DRIVE CRANK ⑩ |
|--------------------------|----------------|----------------------|--|------------------------|-------|-------|---------------------------|----------------------|----------------------|--------------------|-----------------------|----------------------------|----------------------------------|
| 861A-001-1 | 1.5 | E934 | (D290) D438 + D912 | H442 | | 1.6 | P152E F5/5 | KS62 | LP22 | | KG131 | KF25 STD | KJ09 |
| 861A-001-4 | 4 | E800 | (D574) D440 + D674 | H445 | | 1.6 | P230C/ F371 | KS62 | LP22 | | KG131 | KF25 STD | KJ09 |
| 861A-001-5 | 5 | E797 | (D574) D440 + D674 | H445 | | 1.6 | P230C/ F371 | KS62 | LP22 | | KG131 | KF25 STD | KJ09 |
| 861A-006-4BK | 4 | E589 | (D390) D675 + D969 | H974 | | 1.6 | AP9/5 | KS62 | LP22 | | KG131 | KF25 STD | KJ09 |
| 861A-003-4 | 4 | E784 | (D569) D438 + D674 | H442 | | 1.6 | P152E/ F155C | | LP22 | | KG131 | KF25 STD | KJ09 |
| 862A-023-5 | 2 5 | E810 | (D575) D440 + D095 | H445 | | 1.6 | P253/ F374 | KS62 | LP34 | | KG142 | KF26 HI | KJ11 |
| 862A-021-4 5 | 2 4 2 5 | E809 E810 | (D575) D440 + D095 | H445 | | 1.6 | P253/ F503 P253/ F374 | KS62 | LP24 | | KG142 | KF26 HI | KJ11 |
| 862A-022-3BK | 2 3 | E591 | (D390) D675 + D969 | H974 | | 1.6 | AP9/6 | KS62 | LP24 | | KG142 | KF26 HI | KJ11 |
| 862A-033-4 | 2 4 | E809 | (D996) D958 + D095 | H959 | | 1.6 | P135 | | LP24 | | KG142 | KF26 GA, HI | KJ11 |
| 872A-061-4 063-5 | 2 4 3 5 | E834 E839 | (D579) D487 + D060 | H492 | | 1.6 | P504 | KS42 | LP22 | (LP21) | KG152 KG153 | KF25 STD | KJ11 |
| 872A-083-5 | 5 5 | E851 | (D581) D489 + D502 | H494 | | 1.6 | P502 | KS42 | LP24 | (LP23) | KG155 | KF25 STD | KJ11 |
| 872A-065-5 | 5 5 | E851 | (D582) D490 + D502 | H495 | | 2.5 | P502 | KS42 | LP24 | (LP23) | KG155 | KF26 HI | KJ11 |
| 872A-069-5 872A-071-5 | 3 5 5 5 | E982 E986 | (D002) D008 + D502 (D003) D490 + D502 | H957 | | 1.6 | P503 P503 | KS42B | LP24 | (LP23) | KG153 KG155 | KF25 GA, STD | KJ11 |
| 872A-092-6 | 5 6 | E854 | (D582) D490 + D502 | H495 | | 2.5 | P955 | KS47 | LP24 | (LP23) | KG155 | KF26 HI | KJ11 |












(RIMOLDI)

| Sottoclasse Unterklasse Subclass Sous-classe Subclass | | ① | ② | ③ | | ④ | ⑤ | ⑥ | ⑦ | ⑧ | ⑨ | ⑩ |
|---|---|----------|----------------|-----------------------|------|---|------------|-----------------|-------|------|--------|------------------------|
| 427-00-1CD-07 | | 4 | E796 | (D574) | H445 | | 1.6 | P230C/ F371 | KS62 | LP22 | | KG131 KG471 KF25 |
| 427-00-1CD-01 | | 5 | E797 | D440 + D674 | H445 | | 1.6 | P230C/ F371 | KS62 | LP22 | | KG131 KG471 KF25 |
| 427-10-1CD-06 | | 3 (4) | E783 (E784) | (D569) D438 + D674 | H442 | | 1.6 | P152E/ F155C | | LP22 | (LP21) | KG131 KG471 KF25 |
| 427-00-2MD-17 | 2 | 5 (4) | E810 (E809) | (D575) | H445 | | 1.6 | P253/ F374 | KS62 | LP36 | | KG142 KG472 KF26 |
| 427-00-2MD-36 | 2 | 5 (4) | E810 (E809) | D440 + D095 | H445 | | 1.6 | P253/ F374 | KS62 | LP26 | | KG142 KG472 KF26 |
| 427-00-2CD-48 | 2 | 3 (4) | E804 (E805) | (D574) D440 + D674 | H445 | | 1.6 | P230C/ F503 | KS62 | LP26 | | KG142 KG472 KF25 |
| 429-00-2CD-01 | 3 | 3 (5) | E837 (E839) | (D579) D487 + D060 | H492 | | 1.6 | P504 | KS42 | LP22 | (LP21) | KG153 KG35 KF25 |
| 429-00-2CD-05 | 3 | 3 (5) | E845 (E847) | (D581) D489 + D502 | H494 | | 1.6 | P501 | KS42 | LP24 | (LP23) | KG153 KG35 KF25 |
| 429-00-2MD-10 | 5 | 5 | E851 | (D582) D490 + D502 | H495 | | 1.6 2.5 | P502 | KS42 | LP24 | (LP23) | KG155 KG35 KF26 |
| 429-00-2MD-01 | 5 | 5 (6) | E853 (E854) | (D582) D490 + D502 | H495 | | 1.6 2.5 | P955 | KS47 | LP38 | (LP29) | KG157 KG35 KF26 |
| 429-22-2CD-03 | 3 | 3 (5) | E980 (E982) | (D002) D008 + D502 | H957 | | 1.6 | P508 | KS42B | LP24 | (LP23) | KG153 KG35 KF25 |

SPARE PARTS CONVERSION CHART

| MODEL | GAUGE NG SM |  |  |  |  |  |  |  |  |  |  |  |  |  |  | |
|----------------------|------------------|---|---|---|---|---|---|--|---|---|---|---|---|---|---|---|
| 503F1-04 | 4 | E784 | (D569) D438+D674 | H442 | 1.6 | P152 F155 | | | (LP21) | KG131 | KF25 STD | KJ09 | KJ10 | #9 | 5.5 |  |
| 504M1-15 | 1.5 | E934 | (D290) D438+D912 | H442 | 1.6 | P152 F525 | KS62 | LP26 | | KG131 | KF25 STD | KJ09 | KJ10 | #11 | 5.5 |  |
| 504M2-04 | 4 | E800 | (D575) D440+D095 | H445 | 1.6 | P253 F371 | KS62 | LP26 | | KG131 | KF25 STD | KJ09 | KJ10 | #9 | 5.5 |  |
| 504M3-04 504M3-05 | 4 5 | E796 E797 | (D574) D440+D674 | H445 | 1.6 | P230 F371 | KS62 | LP26 | | KG131 | KF25 STD | KJ09 | KJ10 | #9 | 5.5 |  |
| 504M5-04 504M5-05 | 4 5 | E589 E590 | (D390) D675+D969 | H974 | 1.6 | P975 F380 | | LP26 | | KG131 | KF25 STD | KJ11 | KJ10 | #11 | 5.5 |  |
| 504H4-04 | 4 | E800 | (D996) D958+D095 | H959 | 1.6 | P136 | | LP26 | | KG131 | KF26 GA. Hi | KJ11 | KJ13 | #11 | 6.0 |  |
| 505F1-03 505F1-04 | 3 4 | E783 E784 | (D569) D438+D674 | H442 | 1.6 | P152 F155 | | LP26 | | KG131 | KF25 STD | KJ09 | KJ10 | #9 | 5.5 |  |
| 512M1-24 512M1-25 | 2 2 5 | E809 E810 | (D575) D440+D095 | H445 | 1.6 | P253 F374 | KS62 | LP36 | | KG142 | KF26 Hi | KJ11 | KJ13 | #11 | 6.0 |  |
| 512M3-23 | 2 3 | E804A | (D576) D441+D674 | H446 | 2.5 | P230 F503 | KS62 | LP36A | | KG142 | KF26 Hi | KJ11 | KJ12 | #16 | 6.0 |  |
| 514M2-24 514M2-25 | 2 2 5 | E809 E810 | (D575) D440+D095 | H445 | 1.6 | P253 F374 | KS62 | LP26 | | KG142 | KF26 Hi | KJ11 | KJ13 | #11 | 6.0 |  |
| 514M4-23 514M4-24 | 2 2 3 4 | E804 E805 | (D574) D440+D674 | H445 | 1.6 | P230/F503 P230/F374 | KS62 | LP26 | | KG142 | KF25 STD | KJ11 | KJ13 | #9 | 5.5 |  |
| 514M5-23 | 2 3 | E591 | (D390) D675+D969 | H974 | 1.6 | P975 F381 | | LP26 | | KG142 | KF26 Hi | KJ11 | KJ12 | #11 | 6.0 |  |

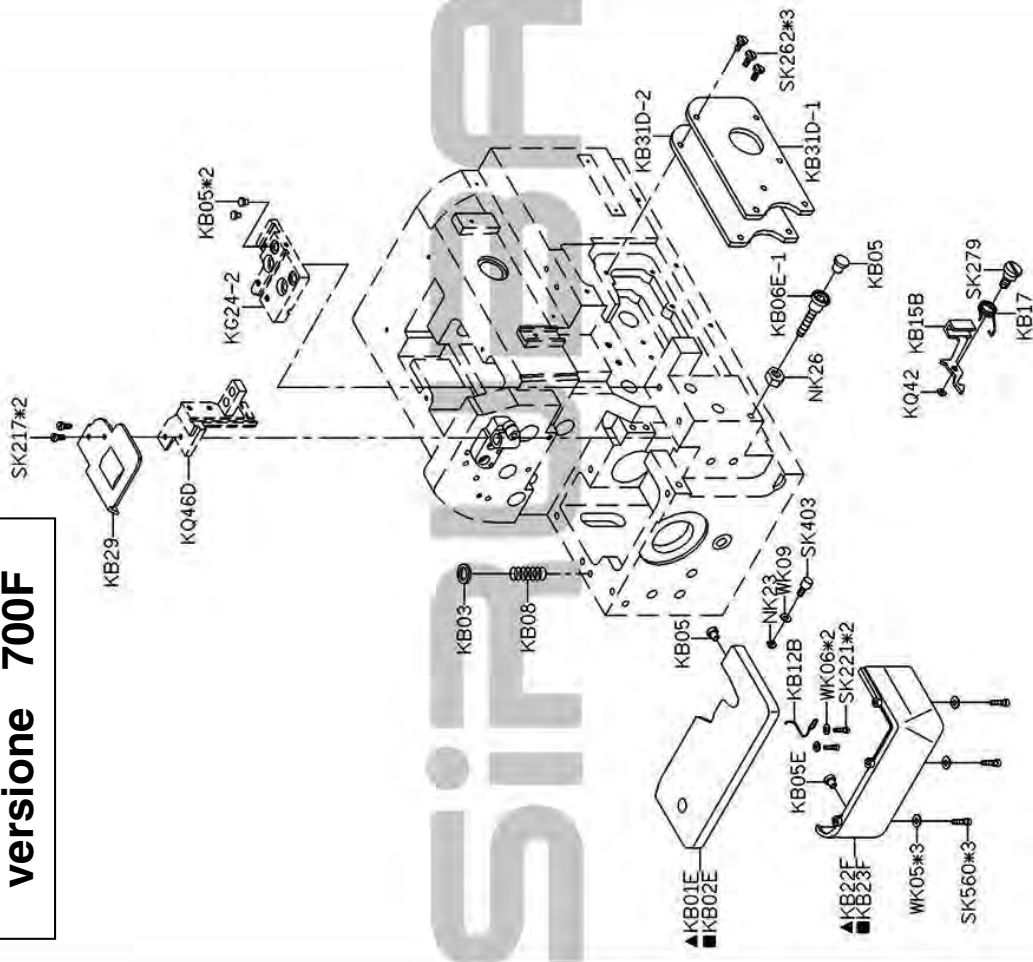
RICAMBI SIRUBA

| | | | | | | | | | | | | | | | | | |
|------------------|----|---|--------------|--|--------------|-----|--------------|-------|-------|------------------|----------------|-----------------|------|------|-----|-----|--|
| 514M7-23 | 2 | 3 | E804A | (D576) D441+D674 | H446 | 2.5 | P230 F503 | KS62 | LP26A | | KG142 | KF26 Hi | KJ11 | KJ12 | #16 | 6 |  |
| 514H4-24 25 | 2 | 4 | E809 E810 | (D996) D958+D095 | H959 | 1.6 | P136 | | LP26 | | KG142 | KF26 GA, Hi | KJ11 | KJ13 | #11 | 6.0 |  |
| 516L1-24 35 | 2 | 4 | E834 E839 | (D579) D487+D060 | H492 | 1.6 | P500 P501 | KS42 | LP26 | (LP21) | KG152 KG153 | KF25 STD | KJ11 | KJ10 | #11 | 5.5 |  |
| 516M1-55 | 5 | 5 | E851 | (D581) D489+D502 | H494 | 1.6 | P502 | KS42 | LP26 | (LP23) | KG155 | KF25 STD | KJ11 | KJ10 | #11 | 5.5 |  |
| 516M2-35 55 | 3 | 5 | E982 E986 | (D581) D489+D502 | H497 H500 | 1.6 | P504 P502 | KS42 | LP26 | (LP23) | KG153 KG155 | KF26 Hi | KJ11 | KJ12 | #11 | 6.0 |  |
| 516H1-55 | 5 | 5 | E851 | (D582) D490+D502 | H495 | 2.5 | P502 | KS42 | LP26 | (LP23) | KG155 | KF26 Hi | KJ11 | KJ12 | #16 | 6.0 |  |
| 516H2-56 | 5 | 6 | E868 | (D582) D490+D502 | H501 | 2.5 | P502 | KS42 | LP26 | (LP23) | KG155 | KF26 Hi | KJ11 | KJ12 | #21 | 6.0 |  |
| 516H4-35 55 | 3 | 5 | E982 E986 | (D002) D008+D502 (D003) D956+D502 | H957 | 1.6 | P508 P509 | KS42B | LP26 | (LP23) | KG153 KG155 | KF25 GA, STD | KJ11 | KJ10 | #14 | 5.5 |  |
| 516X1-55 56 | 5 | 5 | E853 E854 | (D582) D490+D502 | H495 | 2.5 | P955 | KS47 | LP38 | (LP23) | KG155 | KF26 Hi | KJ11 | KJ12 | #21 | 6.0 |  |
| 516X2-56 | 5 | 6 | E868 | (D582) D490+D502 | H501 | 2.5 | P955 | KS47 | LP38 | (LP23) | KG155 | KF26 Hi | KJ11 | KJ12 | #21 | 6.0 |  |
| 516M2-324 524 | 32 | 4 | E989 E988 | (D581) D489+D502 | H497 H500 | 1.6 | P233 P255 | KS42 | LP26 | (LP21) (LP23) | KG333 KG355 | KF25 STD | KJ11 | KJ10 | #11 | 6.0 |  |

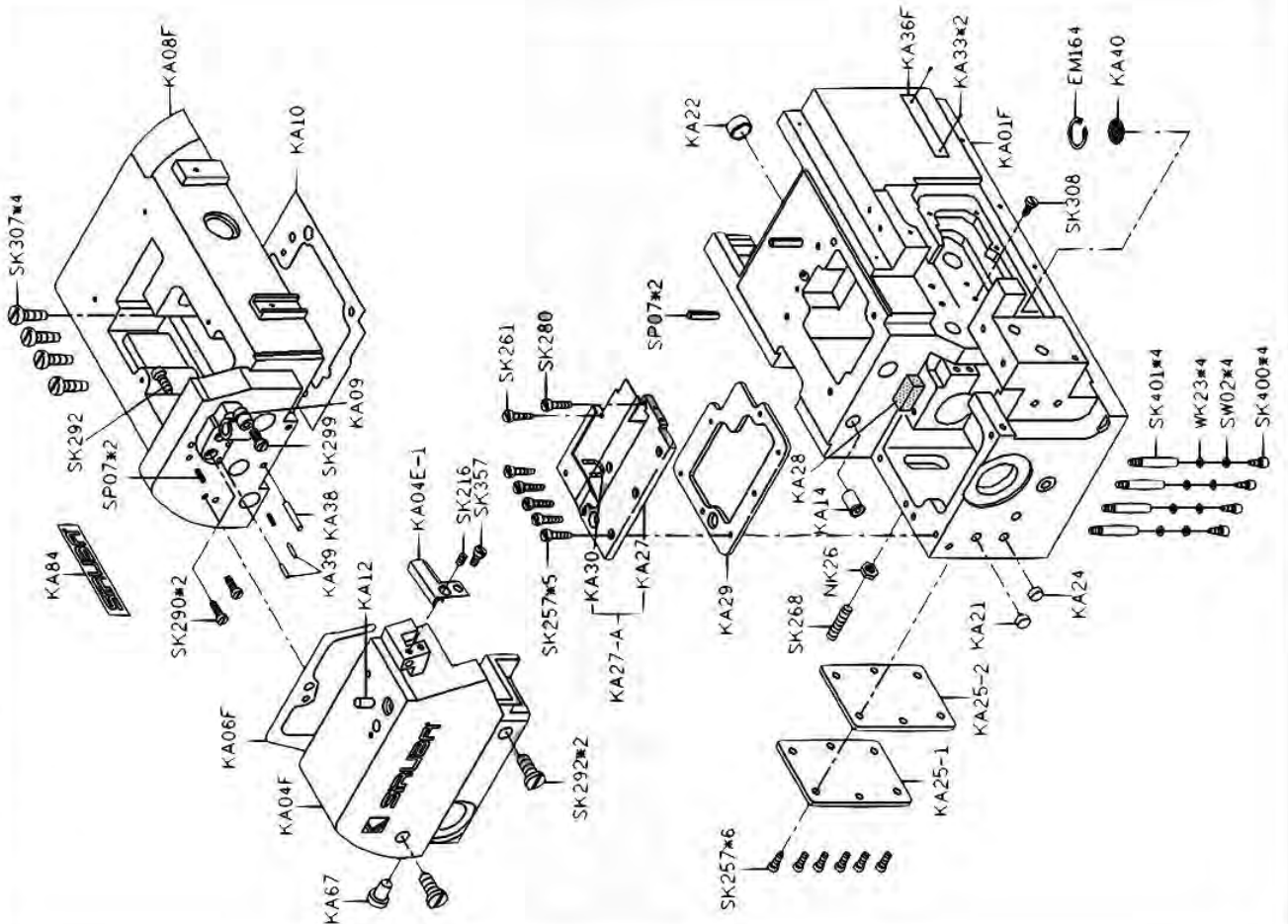
RICAMBI SIRUBA

PARTS LIST FOR KB GROUP 系列圖 2/23

RICAMBI SIRUBA versione 700F

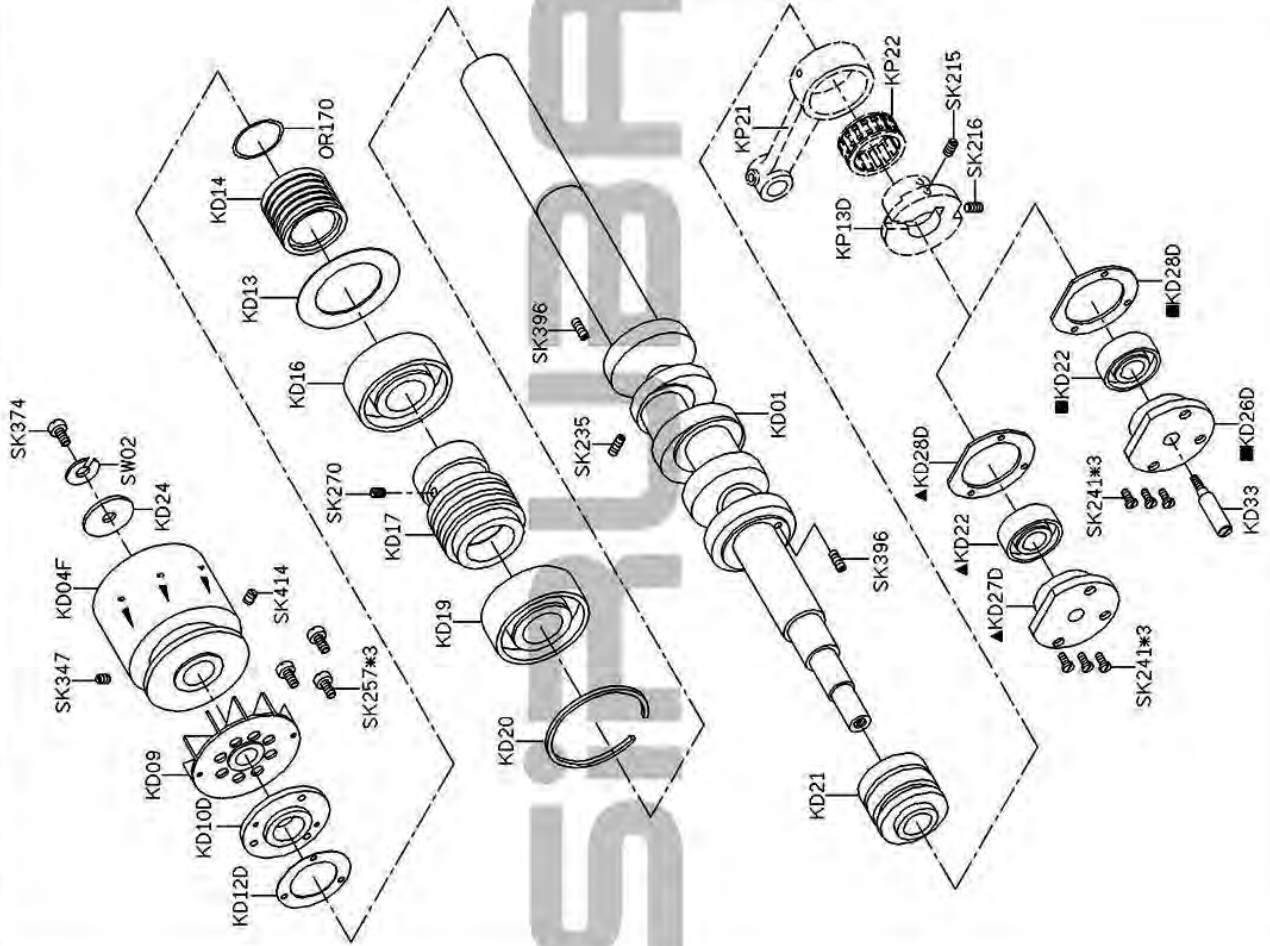


PARTS LIST FOR KA GROUP 系列圖 1/23

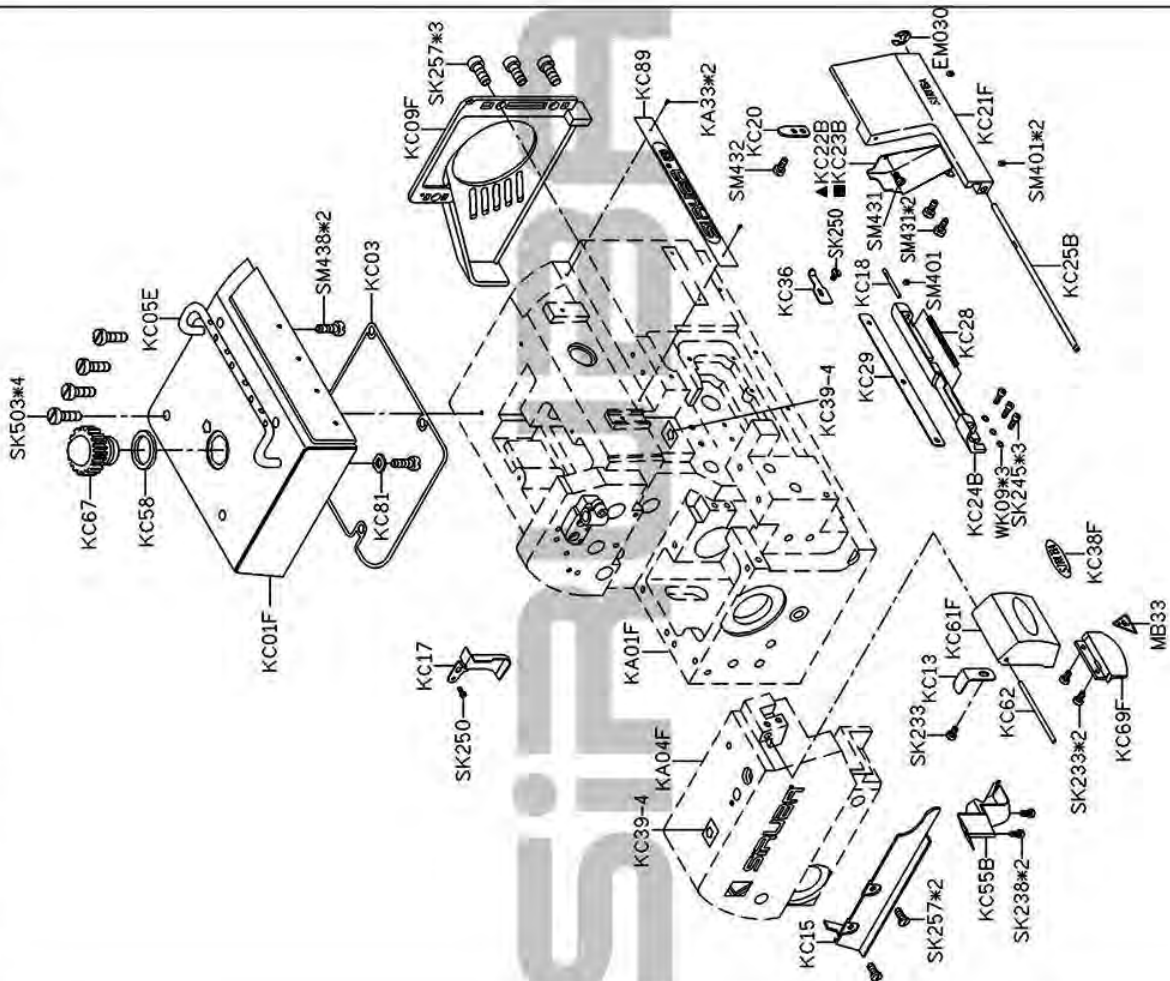


RICAMBI SIRUBA

PARTS LIST FOR KD GROUP 系列圖 4/23

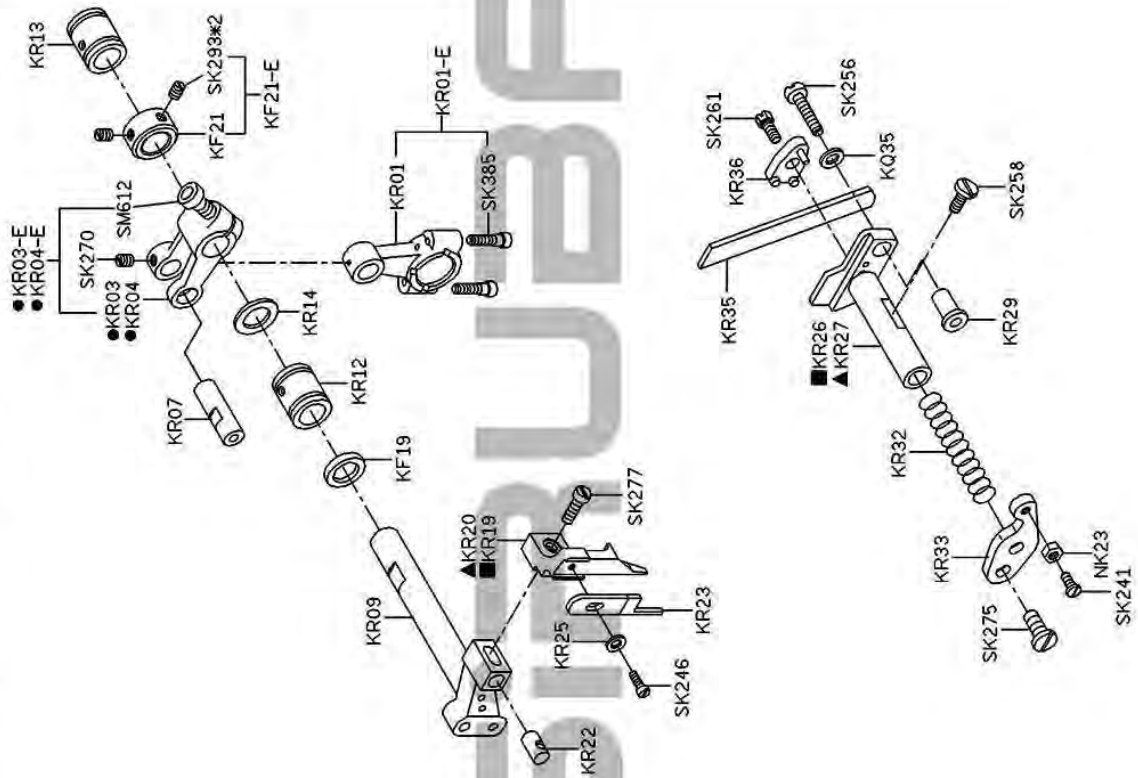


PARTS LIST FOR KC GROUP 系列圖 3/23



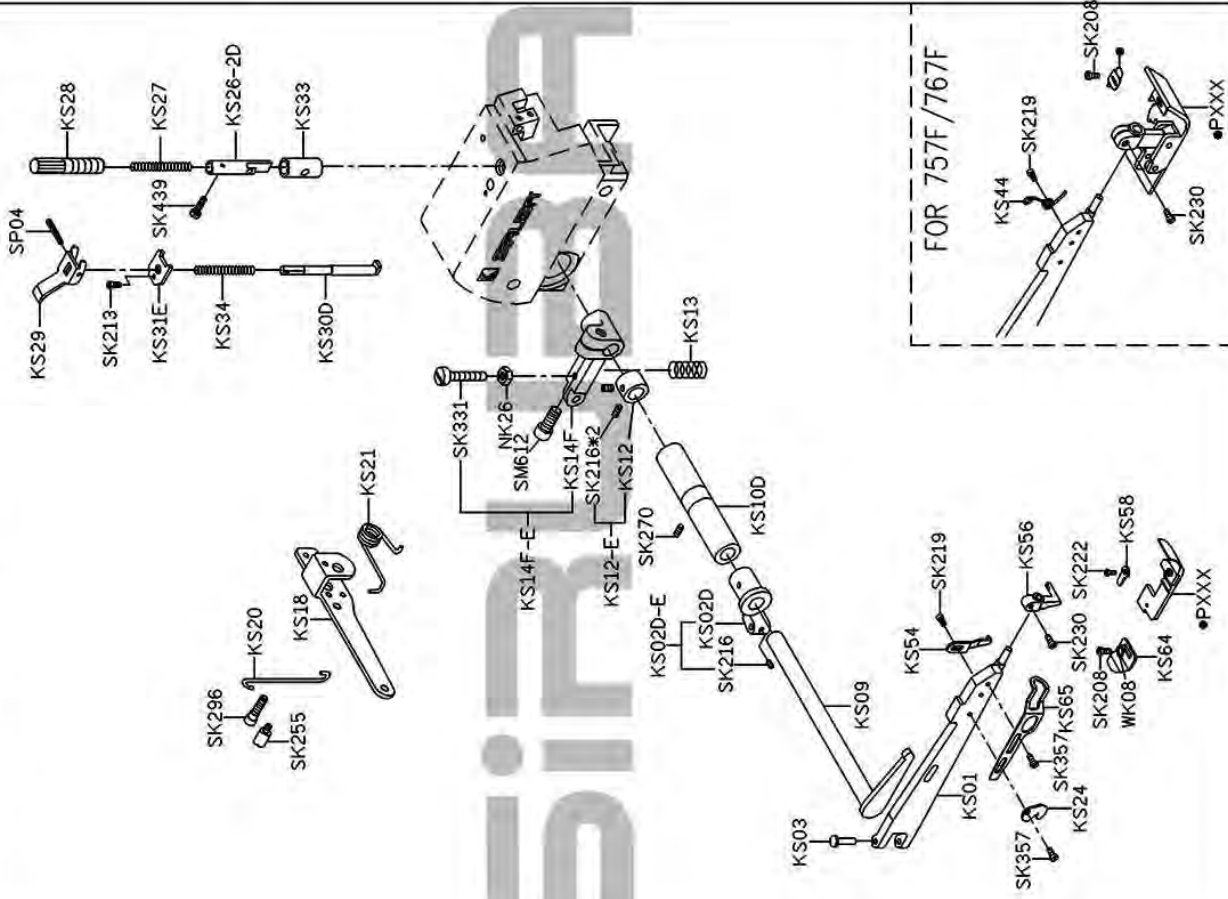
PARTS LIST FOR KR GROUP

系列圖 3/23



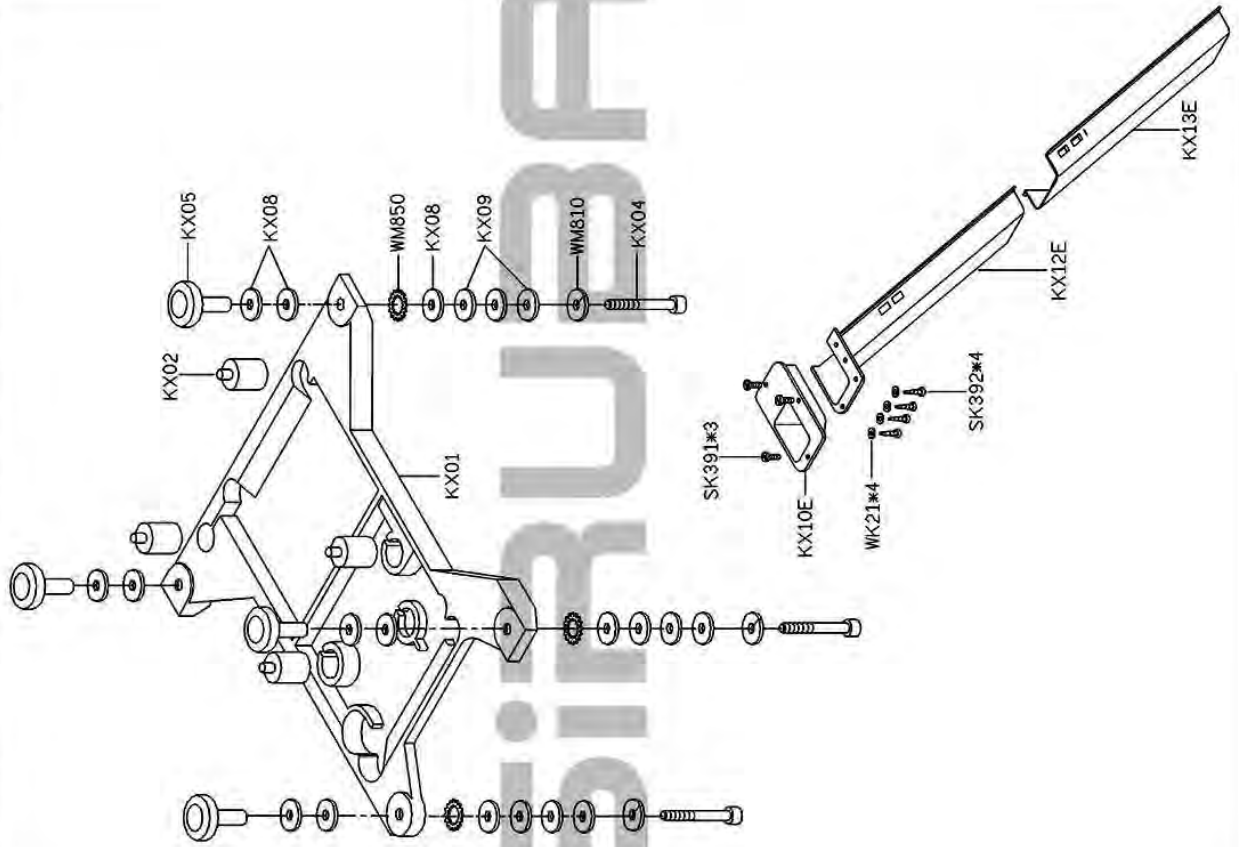
PARTS LIST FOR KS GROUP

系列圖 14/23

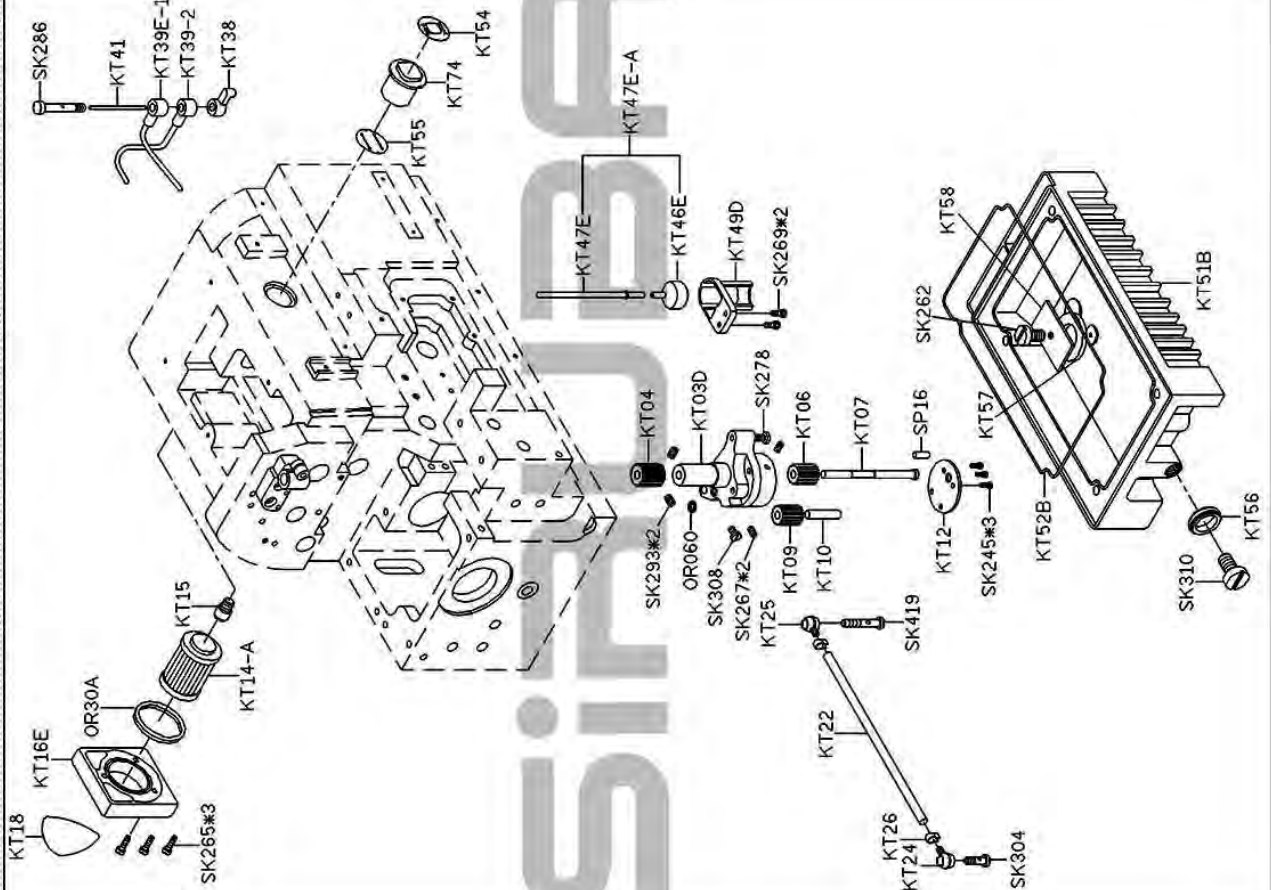


RICAMBI SIRUBA

PARTS LIST FOR KX GROUP 系列圖21/23



PARTS LIST FOR KT GROUP 系列圖5/23



90.04.02

RICAMBI SIRUBA

PARTS LIST FOR GA GROUP

系列圖 1/1

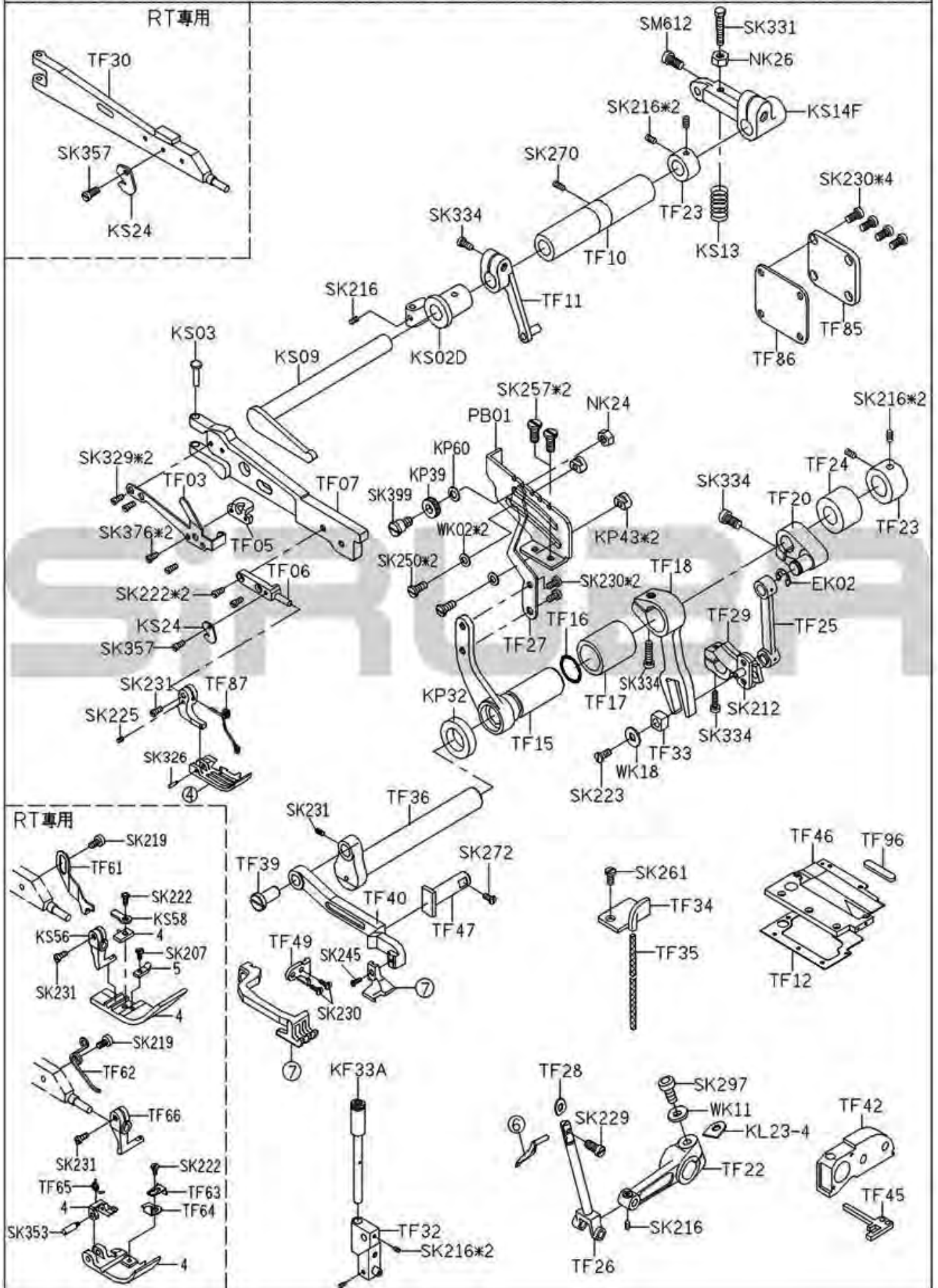
| | | | | | | | | |
|--|---|---|---|---|------|------|------|--------|
| | 4 | 2 | 4 | 6 | | | | |
| | 5 | 3 | 5 | 8 | H959 | H957 | H957 | KV16 |
| | | | | | E919 | E982 | E986 | P136-A |
| | | | | | E919 | E982 | E986 | P508-A |
| | | | | | E919 | E982 | E986 | P509-A |

PARTS LIST FOR BK-F GROUP

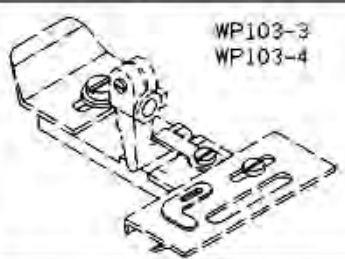
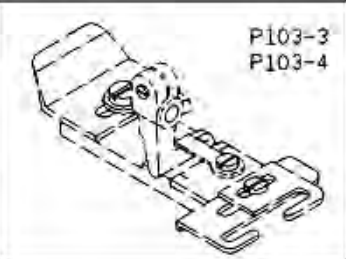
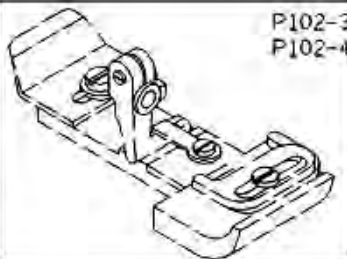
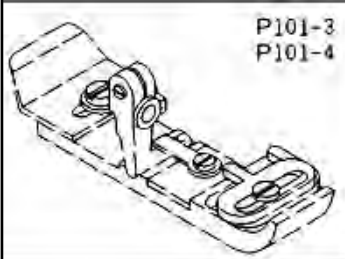
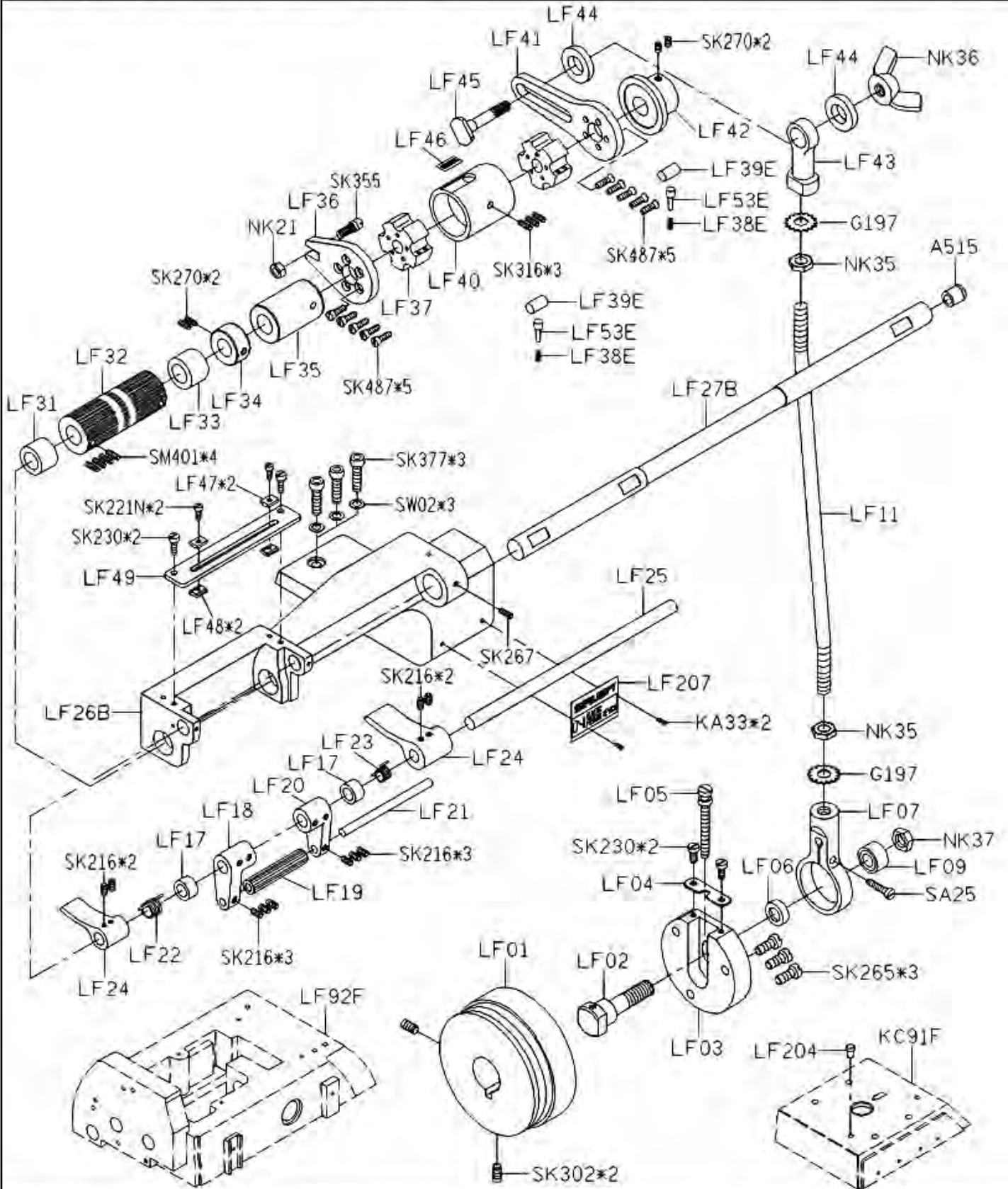
系列圖 1/1

4 THREAD E591B Withthick H974

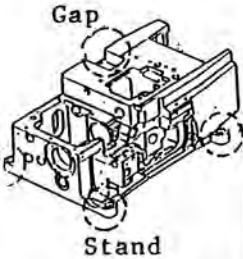
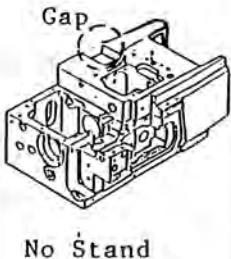
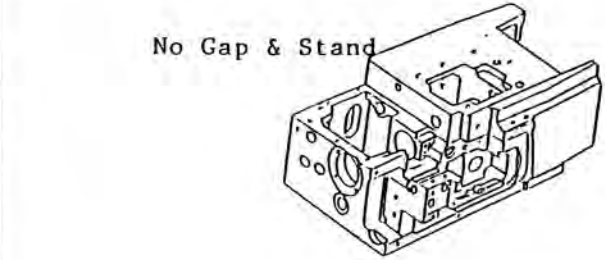
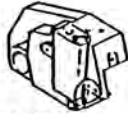
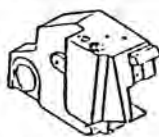


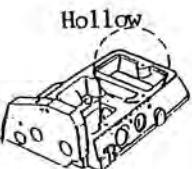
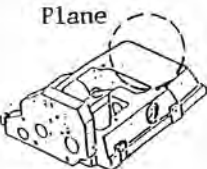
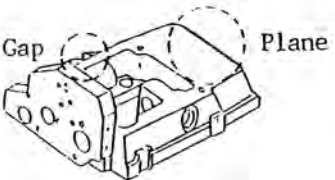

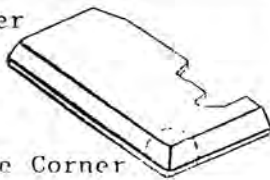



PARTS LIST FOR TF GROUP





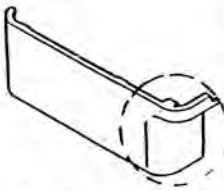
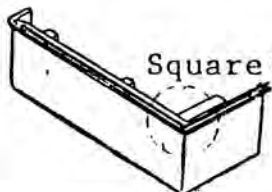
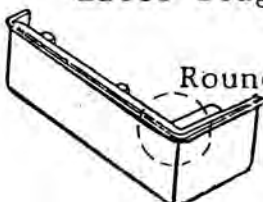
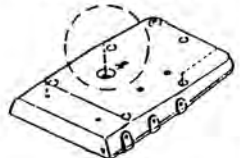
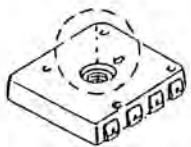
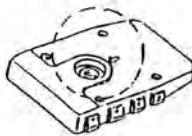
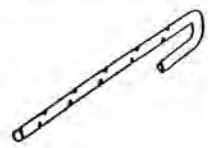




PARTS LIST FOR LF-B GROUP



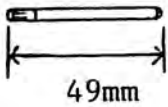
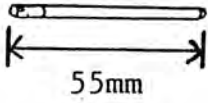

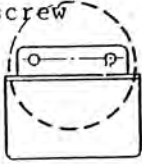
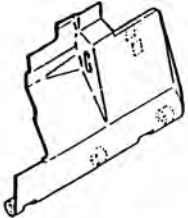
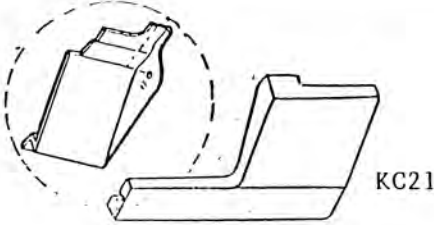
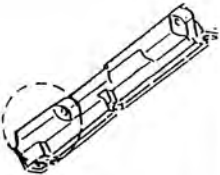
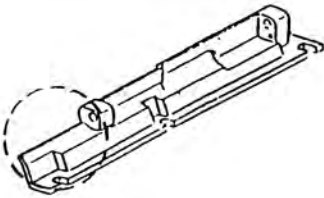
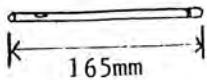
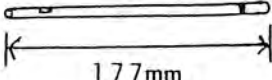


RICAMBI SIRUBA

| 747 | 747B | 747 DO | 747D D1 | 747D D2 |
|---|---|--|---|---------|
| KA01 | KA01B | KA01D | | |
|  |  |  | | |
| KA04 | KA04B | | | KA04D |
|  Cast Iron Material |  Cast Iron Material | | come KA04B ma in alluminio | |
| KA06 | KA06B | | | |
|  |  | | | |
| KA08 | KA08B | KA08D | | |
|  |  |  | | |
| KB01/KB02 | KB01B /KB02B | | | |
|  Round Corner | Earlier Stage  Square Corner | | Later Stage  Round Corner | |
| KB12 | KB12B | | | |
|  |  | | | |





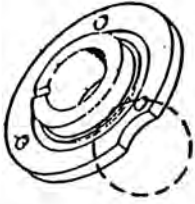

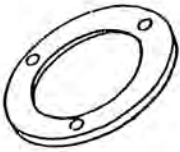

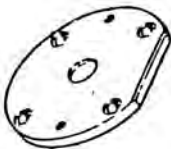





RICAMBI SIRUBA

| 747 | 747B | 747 DO | 747D D1 | 747D D2 |
|--|--|--|---------|---------|
| <p>Gli aggiornamenti riportati su queste pagine, sono relativi alle modifiche apportate nelle versioni SIRUBA successive all'uscita del nostro catalogo 95, le stesse sono riferibili anche alle analoghe versioni WG/MAUSER</p> | | | | |
| KB15 | KB15B | | | |
|  |  | | | |
| KB22/KB23 | KB22B/KB23B | | | |
|  Round Corner | Earlier Stage  Square Corner | Later Stage  Round Corner | | |
| KC01 | KC01B | KC01D | | |
| Fixed w/SK309  | Fixed w/KC57 & KC58  | Earlier Stage -- Fixed w/ SK309 Later Stage -- Fixed w/ KC57 & KC58  | | |
| KC05 | KC05B | KG09D | | |
|  |  |  | | |
| KC11 | KC11B | | | |
|  |  | | | |
| <p>altri componenti dello sportello tipo nuovo : pagina successiva</p> | | | | |





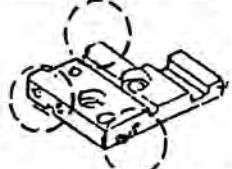
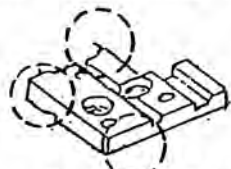







RICAMBI SIRUBA

| 700 | 700B | 700 DO | 700D D1 | 700D D2 |
|---|---|--------|---------|---------|
| KC12 | KC12B | | | |
|  |  | | | |
| KC19 | KC19B | | | |
| <p>Fixed w/ pin</p>  | <p>Fixed w/ screw</p>  | | | |
| KC22/KC23 | KC22B/ KC23B | | | |
|  |  | | | |
| KC24 | KC24B | | | |
|  |  | | | |
| KC25 | KC25B | | | |
|  |  | | | |
| KC55 | KC55B | | | |
|  |  | | | |



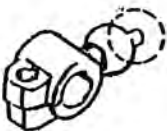



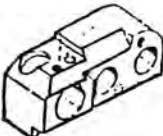
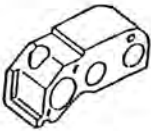

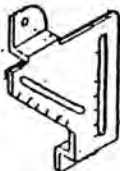
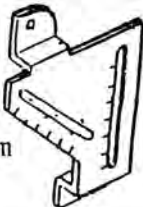
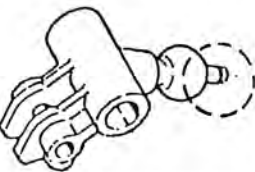



RICAMBI SIRUBA

| 700 | 700B | 700 DO | 700D D1 | 700D D2 |
|--|---|---|---|--|
| SK309 | KC57/KC58 | SK309 | KC57/KC58 | |
|  |  |  |  | |
| KD10 | | | | KD10D |
|  O.D. ϕ62.8 | | | | O.D. ϕ56  |
| KD12 | | | | KD12D |
|  O.D. ϕ62 | | | | O.D. ϕ55  |
| KD26/KD27 | | | | KD26D/KD27D |
|  Four Holes | | | | Three Holes  |
| KD28 | | | | KD28D |
|  Four Holes | | | | Three Holes  |
| KG09 | — | KG09D | | |
| One Hole | | Two Holes | | |
|  | |  | | |







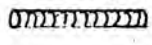
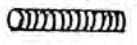








RICAMBI SIRUBA

| 700 | 700B | 700 (Do) | 700D (D1) | 700D (D2) |
|---|---|---|--------------|---|
| KG11 | KG11 | KG11D | KG11D | KG11D |
|  | |  | | |
| KG15 | KG15 | KG15 | KG15 | KG15D |
| Metal  | | | | Rubber  |
| KG24 | KG24B | KG24B | KG24B | KG24D |
| Two Convex Angle  Screw Hole | Two Convex Angle  No Screw Hole | | | One Convex Angle  No Screw Hole |
| KG31/KG32 | KG31/KG32 | KG31/KG32 | KG31/KG32 | KG31D/KG32D |
|  | | | |  |
| ---- | KG54B | KG54D | KG54D | KG54D |
| | Two Horizontal Holes  | Two Vertical Holes  | | |
| KJ01 | KJ01B | KJ01B | KJ01B | KJ01B |
|  |  | | | |



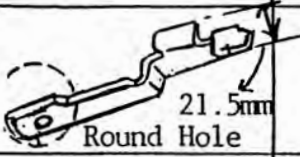



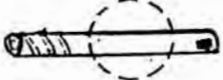
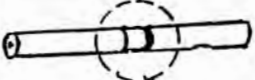


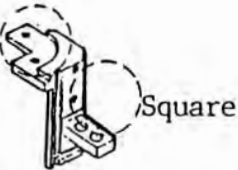





RICAMBI SIRUBA

| 700 | 700B | 700 (Do) | 700D (D1) | 700D (D2) |
|---|--|-------------|--------------|---|
| KJ06 | KJ06B | KJ06B | KJ06B | KJ06B |
|  |  | | | |
| KJ09/KJ11 | KJ09B/KJ11B | KJ09B/KJ11B | KJ09B/KJ11B | KJ09B/KJ11B |
|  |  | | | |
| KJ30 | Kj30 | KJ30 | KJ30 | KJ30D |
|  | | | |  |
| KJ42 | KJ42 | KJ42 | KJ42 | KJ42D |
|  | | | |  |
| KJ61 | KJ61B | KJ61B | KJ61B | KJ61D |
|  |  5mm | | |  11.5mm |
| KL09 | KL09B | KL09B | KL09B | KL09B |
|  |  | | | |
| KL12 | KL12B | KL12B | KL12B | KL12B |
|  |  | | | |



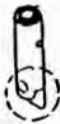



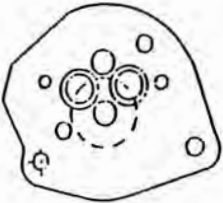
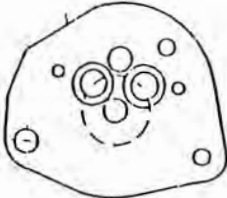





RICAMBI SIRUBA

| 700 | 700B | 700 (Do) | 700D (D1) | 700D (D2) |
|---|------|----------|-----------|---|
| KP05 | KP05 | KP05 | KP05 | KP05D |
| One Hole  | | | | One Hole w/ pin  |
|  | | | |  |
| KP06 | KP06 | KP06 | KP06 | KP06D |
| One Hole inside  | | | | Two Holes Inside  |
| KP08 | KP08 | KP08 | KP08 | KP08D |
| O.D. $\phi 3.7\text{mm}$  | | | | O.D. $\phi 4.7\text{mm}$  |
| KP09 | KP09 | KP09 | KP09 | KP09D |
|  Gap | | | |  No Gap |
| KP13 | KP13 | KP13 | KP13 | KP13D |
|  One Hole | | | |  Groove |
| KP25 | KP25 | KP25 | KP25 | KP25D |
|  | | | |  |
| KP28 | KP28 | KP28 | KP28 | KP28D |
|  Straight Shaft | | | | Crank Shaft  |

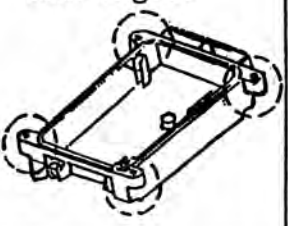
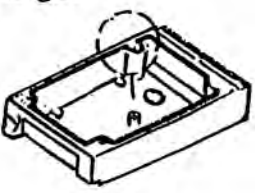

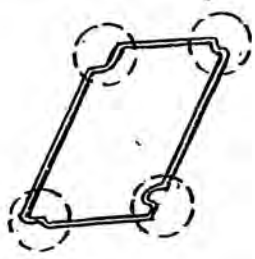


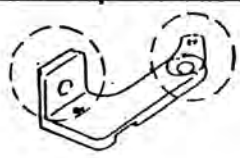

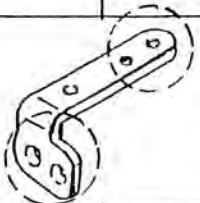

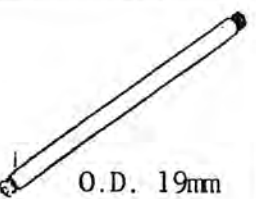
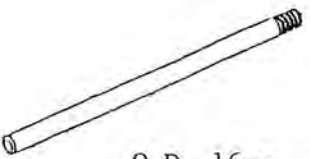
RICAMBI SIRUBA

| 700 | 700B | 700 (Do) | 700D (D1) | 700D (D2) |
|---|-------|--|---|---|
| KP30 | KP30B | KP30B | KP30B | KP30B |
|  | |  | | |
| KP65 | KP65B | KP65B | KP65B | KP65B |
|  Round Hole 21.5mm | |  Elliptical Hole 20mm | | |
| KP35 | KP35 | KP35 | KP35 | KP35D |
|  | | | |  |
| KQ21 | KQ21 | KQ21 | KQ21 | KQ21D |
|  | | | |  |
| KQ44 | KQ44 | KQ44 | KQ44 | KQ44D |
| No Hole  | | | | Two Holes  |
| KQ46 | KQ46 | KQ46 | KQ46 | KQ46D |
|  Square | | | |  Curve |
| KS02 | KS02 | KS02D | KS02D | KS02D |
|  | | | |  |
| KS10 | KS10 | KS10 | KS10D | KS10D |
|  | | |  | |

RICAMBI SIRUBA

| 700 | 700B | 700 (Do) | 700D (D1) | 700D (D2) |
|---|---|----------|---|---|
| KS14 | KS14 | KS14 | KS14D | KS14D |
|  | | |  | |
| KS26 | KS26 | KS26 | KS26 | KS26D |
|  | | | |  |
| KS30 | KS30 | KS30 | KS30 | KS30D |
|  | | | |  |
| KT01-1 | KT03-1B | KT03-1B | KT03-1B | KT03-1D |
|  |  | | |  |
| KT16 | KT16B | KT16B | KT16B | KT16B |
|  |  | | | |
| KT39-1 | KT39B-1 | KT39B-1 | KT39B-1 | KT39B-1 |
|  |  | | | |

RICAMBI SIRUBA

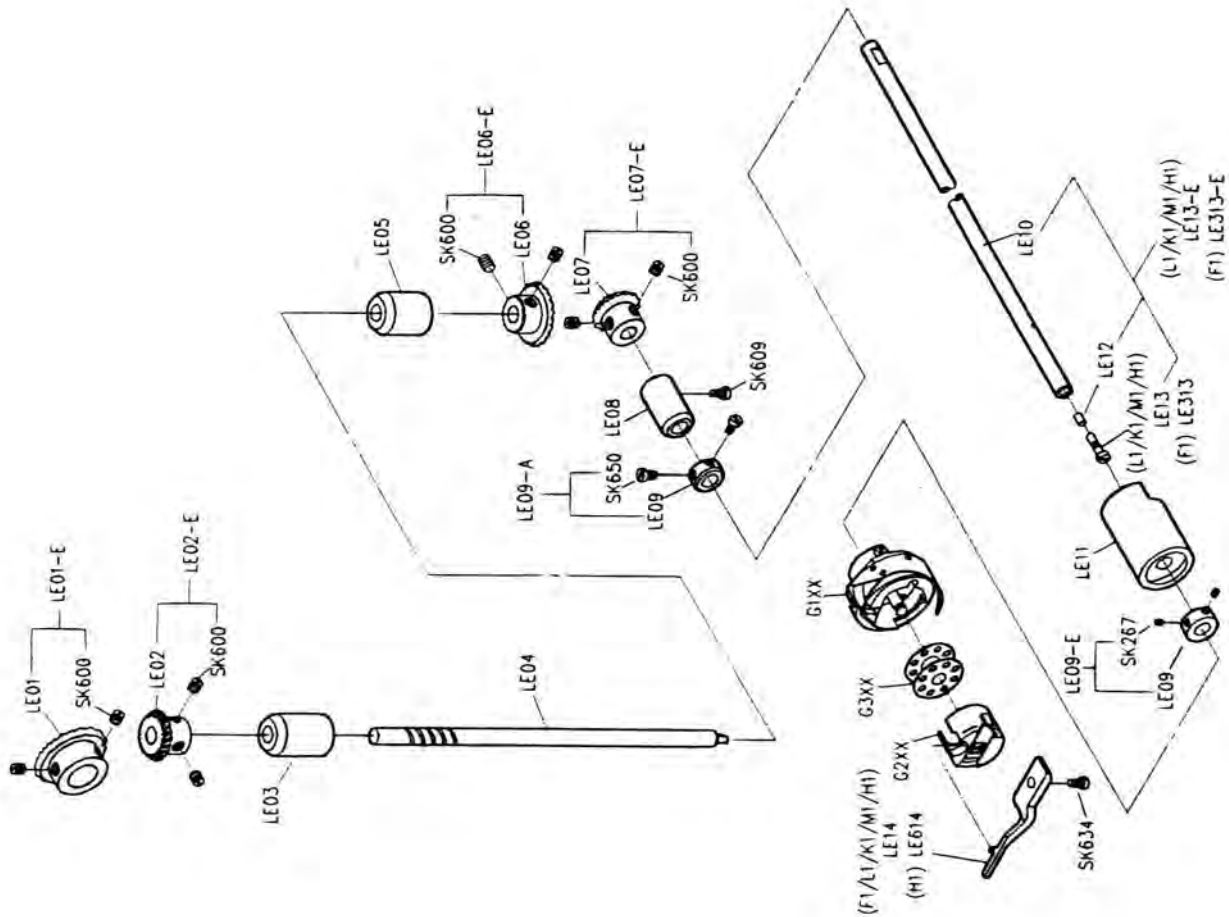
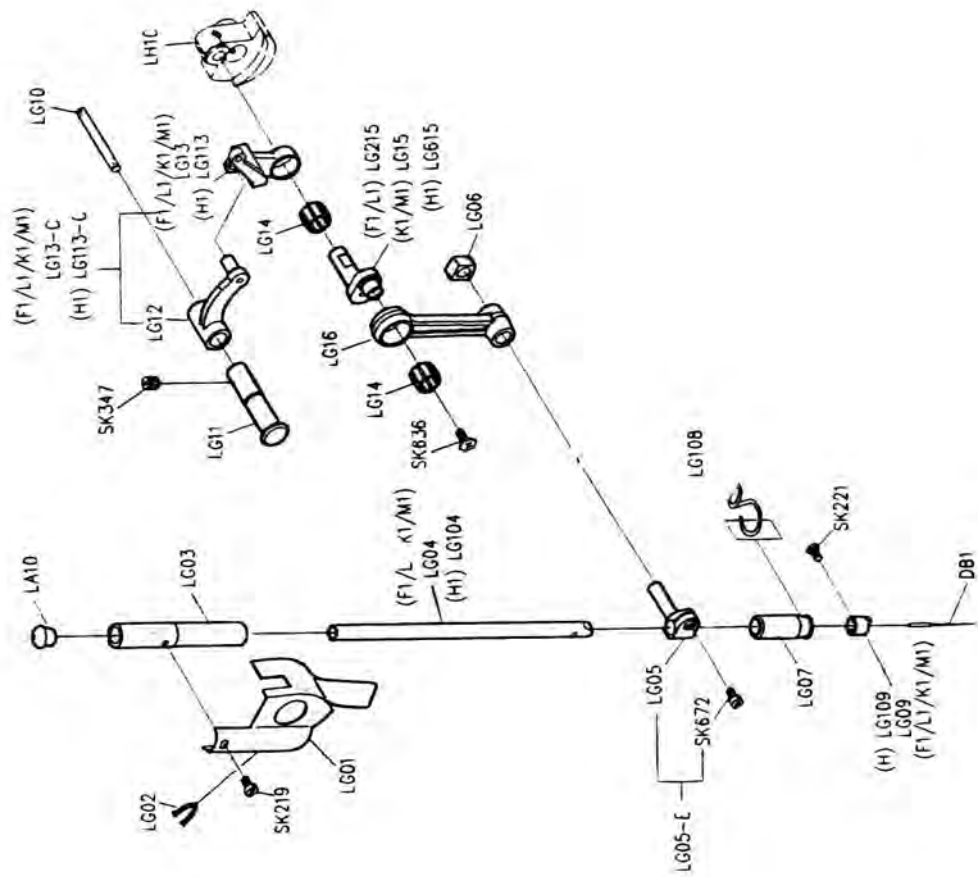
| 700 | 700B | 700 (Do) | 700D (D1) | 700D (D2) |
|---|--|-------------|--------------|---|
| KT51 | KT51B | KT51B | KT51B | KT51B |
| Four Angles  | No Angle  | | | |
| KT52 | KT52B | KT52B | KT52B | KT52B |
|  |  | | | |
| KU23 | KU23B | KU23B | KU23B | KU23B |
| Spring Cover  24mm | Rubber Cover  31mm | | | |
| KU27 | KU27 | KU27 | KU27 | KU27D |
|  | | | |  |
| KU28 | KU28 | KU28 | KU28 | KU28D |
|  | | | |  |
| KW01 | KW01B | KW01B | KW01B | KW01B |
|  O.D. 19mm |  O.D. 16mm | | | |

RICAMBI SIRUBA

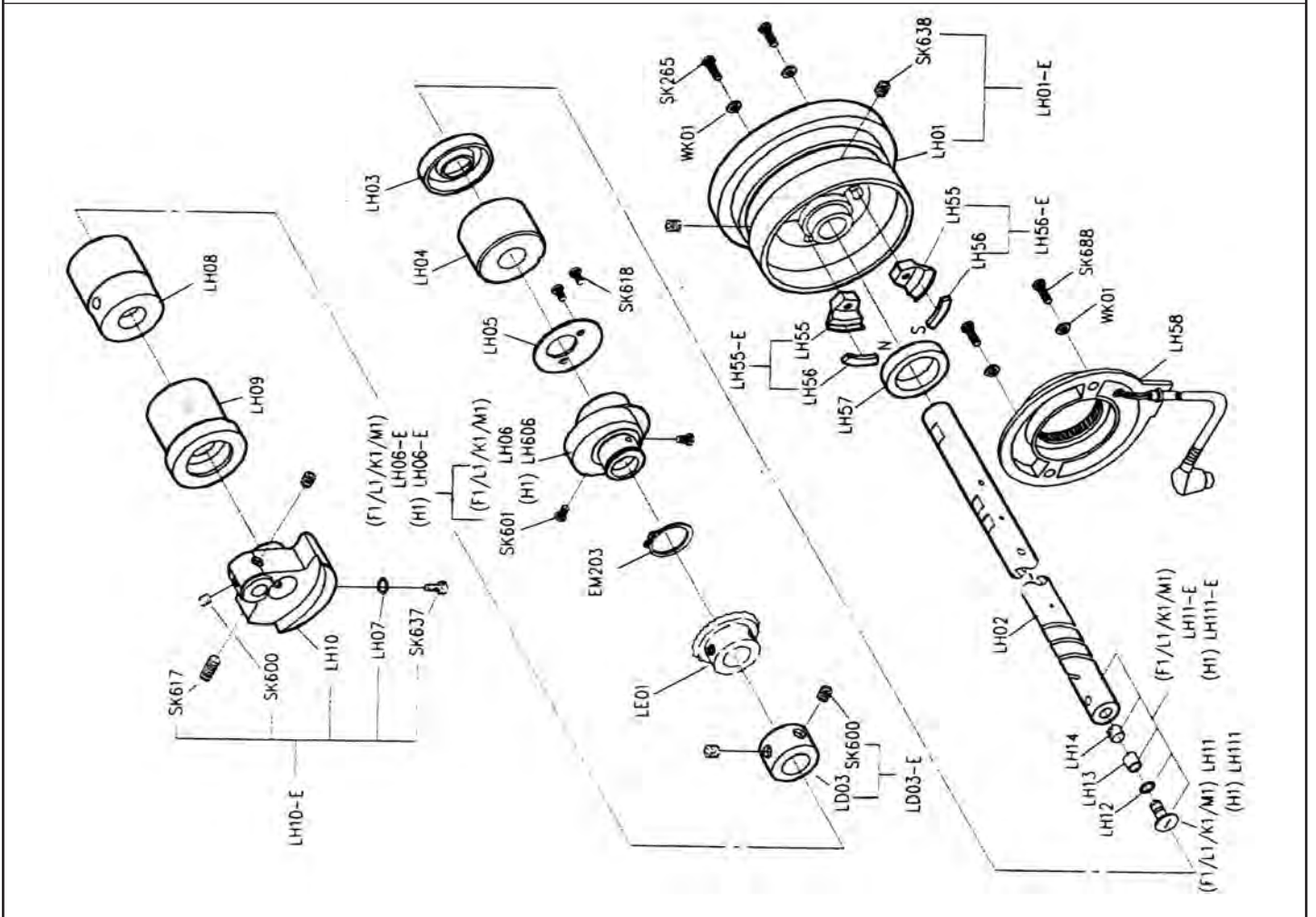
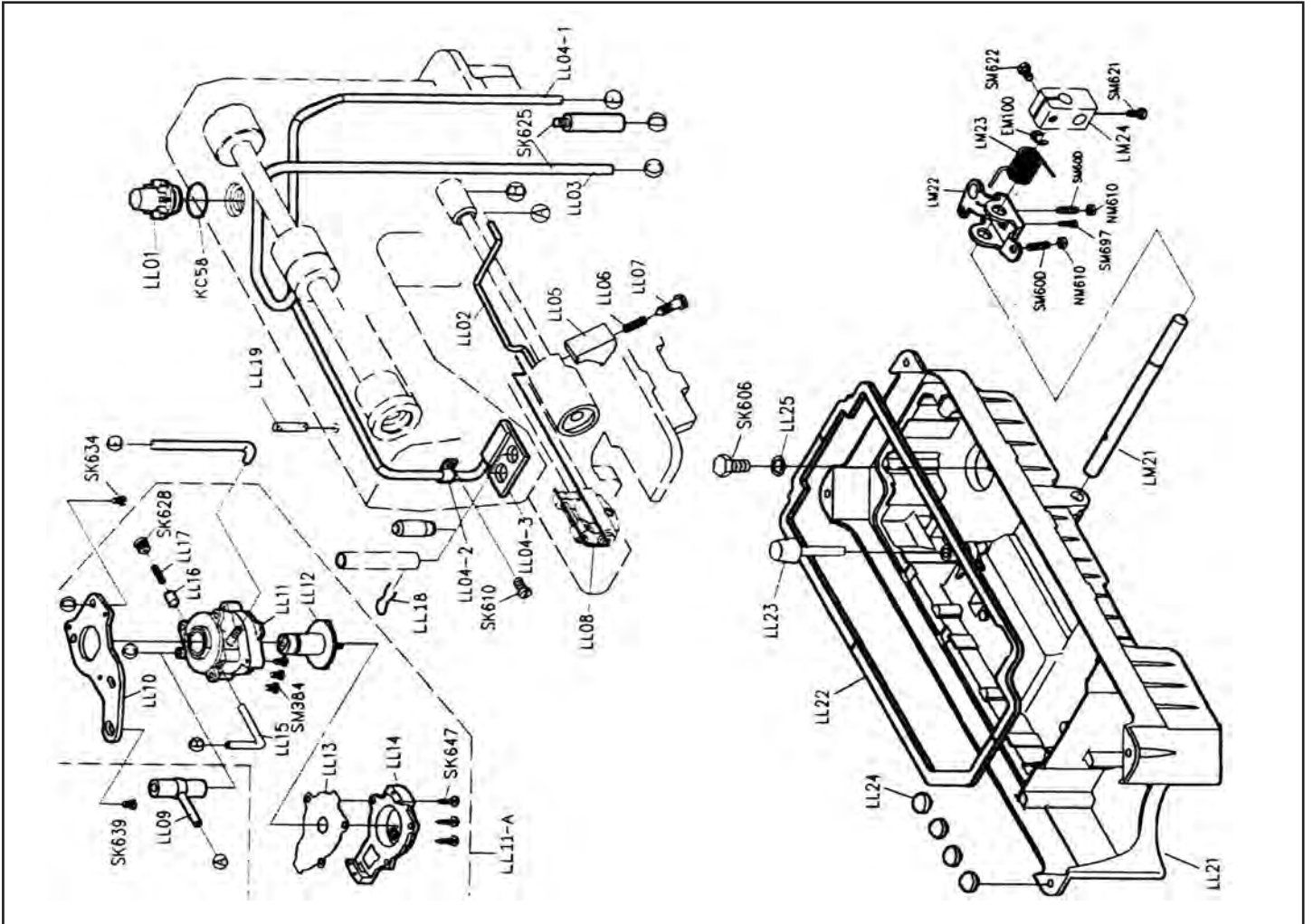
L818 rasafilo piana

| MODEL 機型 | MATERIAL 布料 | OPERATING PANEL 操作盒 | NEEDLE PLATE 針板 | FEED DOG 送具 | PRESSER FOOT 押具 | HOOK 梭頭 | BOBBIN CASE 梭殼 | BOBBIN 梭子 | NEEDLE 針號 |
|-------------------------|---------------------------|---------------------------|--------------------|----------------|-----------------------|------------|----------------------|--------------|--------------|
| L818-F1-00 ~ L818-F1-03 | FINE MATERIAL 超薄布料 | LA55-A | E731 | D731 | P721 | G141 | G201 | G303 | DB*1SF #9 |
| L818-F1-10 ~ L818-F1-13 | | LA53-A | E731 | D731 | P721 | G141 | G201 | G303 | DB*1SF #9 |
| L818-F1-20 ~ L818-F1-23 | | LA55-A | E721 | D721 | P721 | G141 | G201 | G303 | DB*1SF #9 |
| L818-F1-30 ~ L818-F1-33 | | LA53-A | E721 | D721 | P721 | G141 | G201 | G303 | DB*1SF #9 |
| L818-L1-00 ~ L818-L1-03 | LIGHT MATERIAL 薄布料 | LA55-A | E701 | D701 | P721 | G121 | G201 | G303 | DA*1 #9 |
| L818-L1-10 ~ L818-L1-13 | | LA53-A | E701 | D701 | P721 | G121 | G201 | G303 | DA*1 #9 |
| L818-M1-00 ~ L818-M1-03 | MEDIUM MATERIAL 中厚布料 | LA55-A | E701 | D701 | P701 | G121 | G202 | G301 | DA*1 #11 |
| L818-M1-10 ~ L818-M1-13 | | LA53-A | E701 | D701 | P701 | G121 | G202 | G301 | DA*1 #11 |
| L818-K1-00 ~ L818-K1-03 | KNITTING MATERIAL 編織布料 | LA55-A | E741 | D741 | P721 | G121 | G202 | G303 | DA*1 #9 |
| L818-K1-10 ~ L818-K1-13 | | LA53-A | E741 | D741 | P721 | G121 | G202 | G303 | DA*1 #9 |
| L818-H1-00 ~ L818-H1-03 | HEAVY MATERIAL 厚布料 | LA55-A | E711 | D711 | P711 | G122 | G202 | G301 | DB*1 #21 |
| L818-H1-10 ~ L818-H1-13 | | LA53-A | E711 | D711 | P711 | G122 | G202 | G301 | DB*1 #21 |

RICAMBI SIRUBA

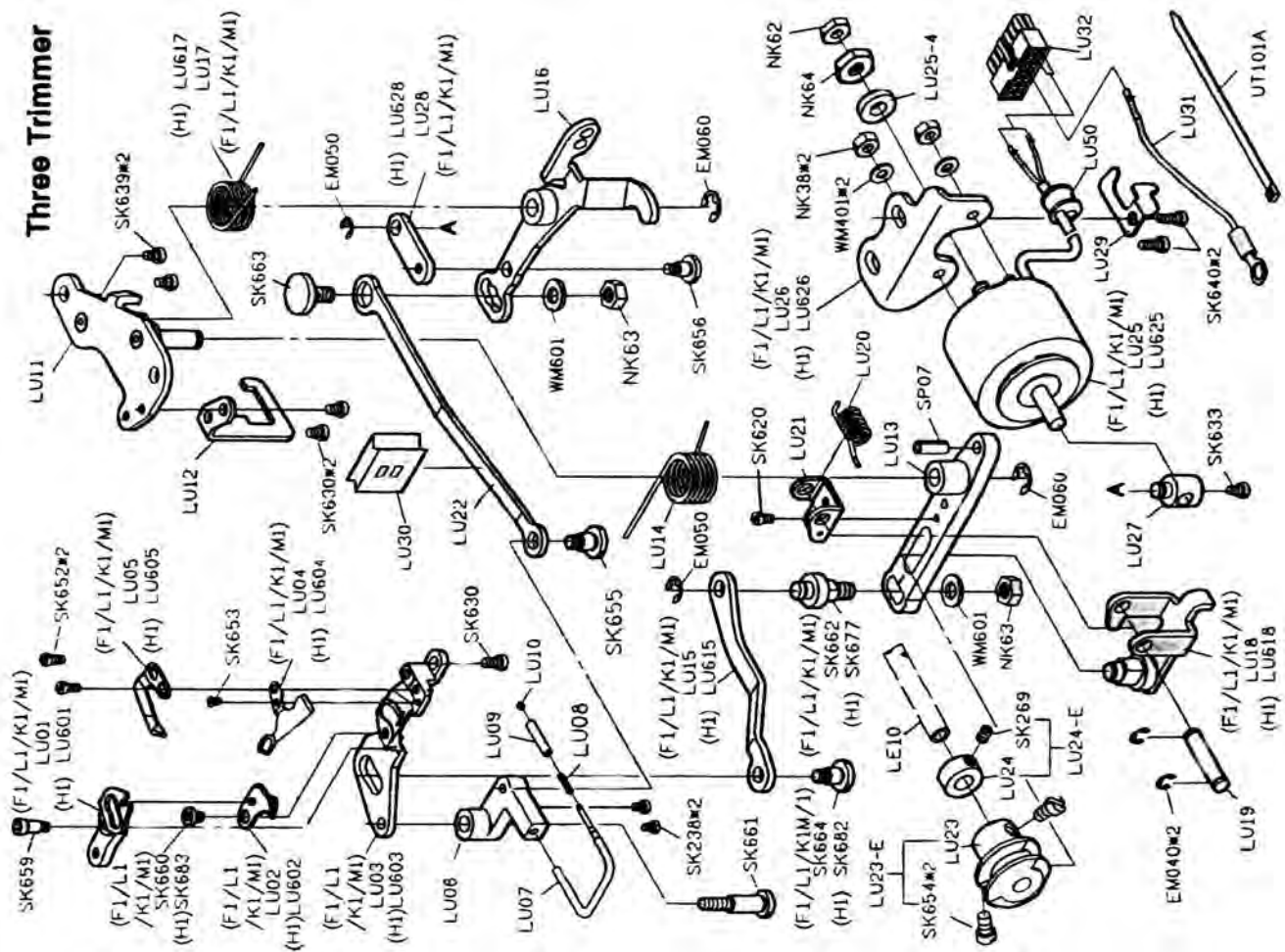


RICAMBI SIRUBA

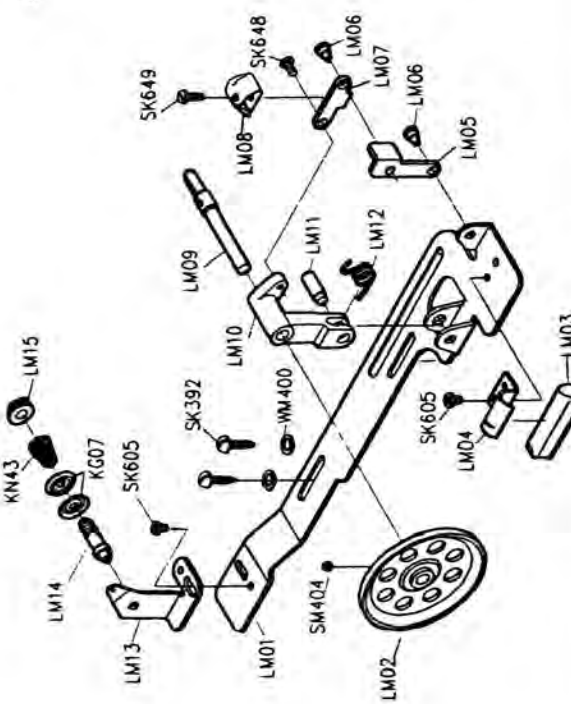


RICAMBI SIRUBA

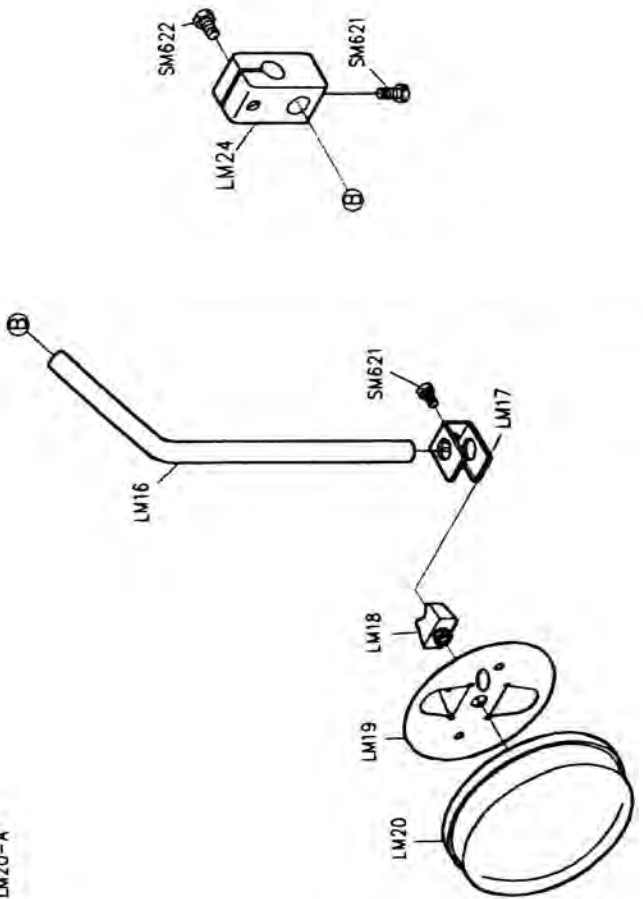
Three Trimmer



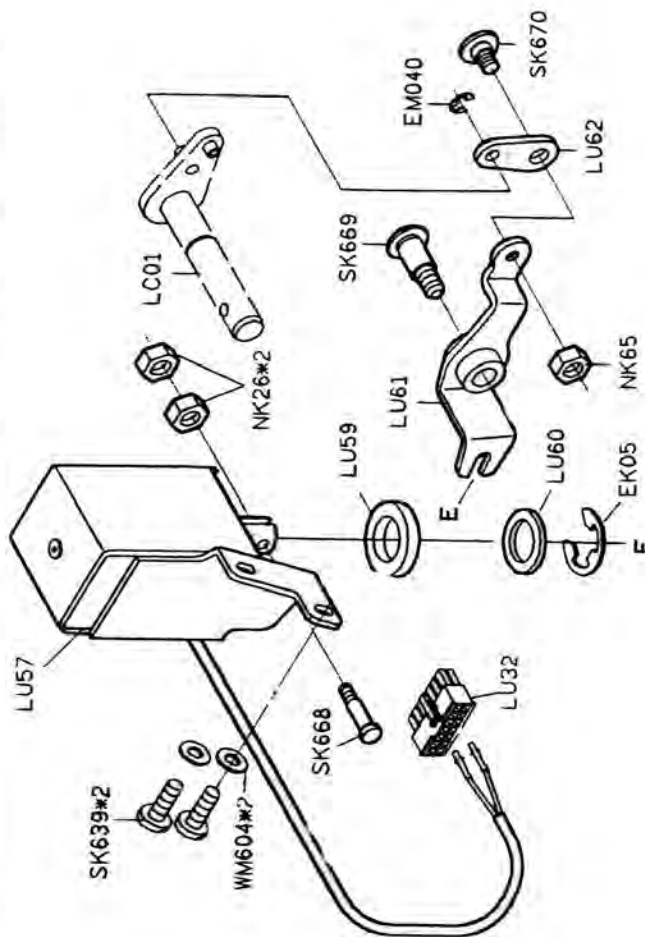
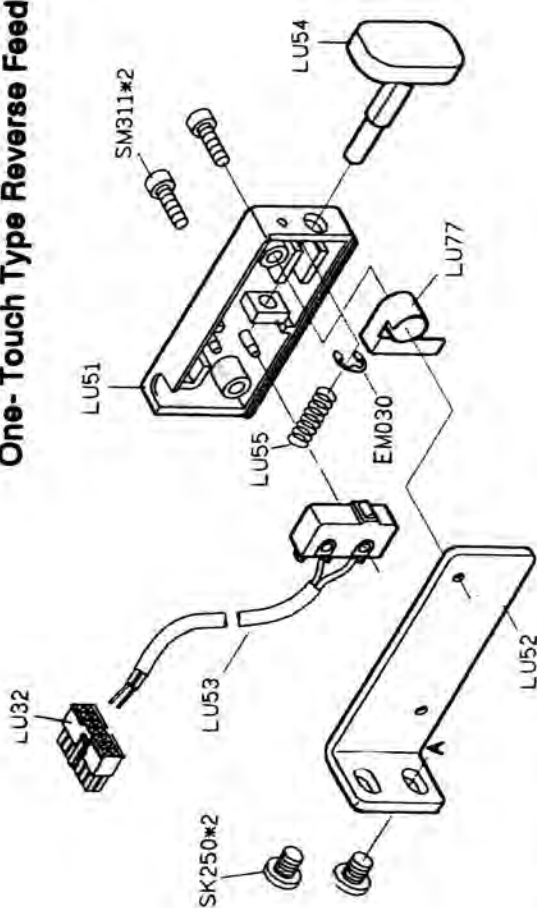
LM01-A



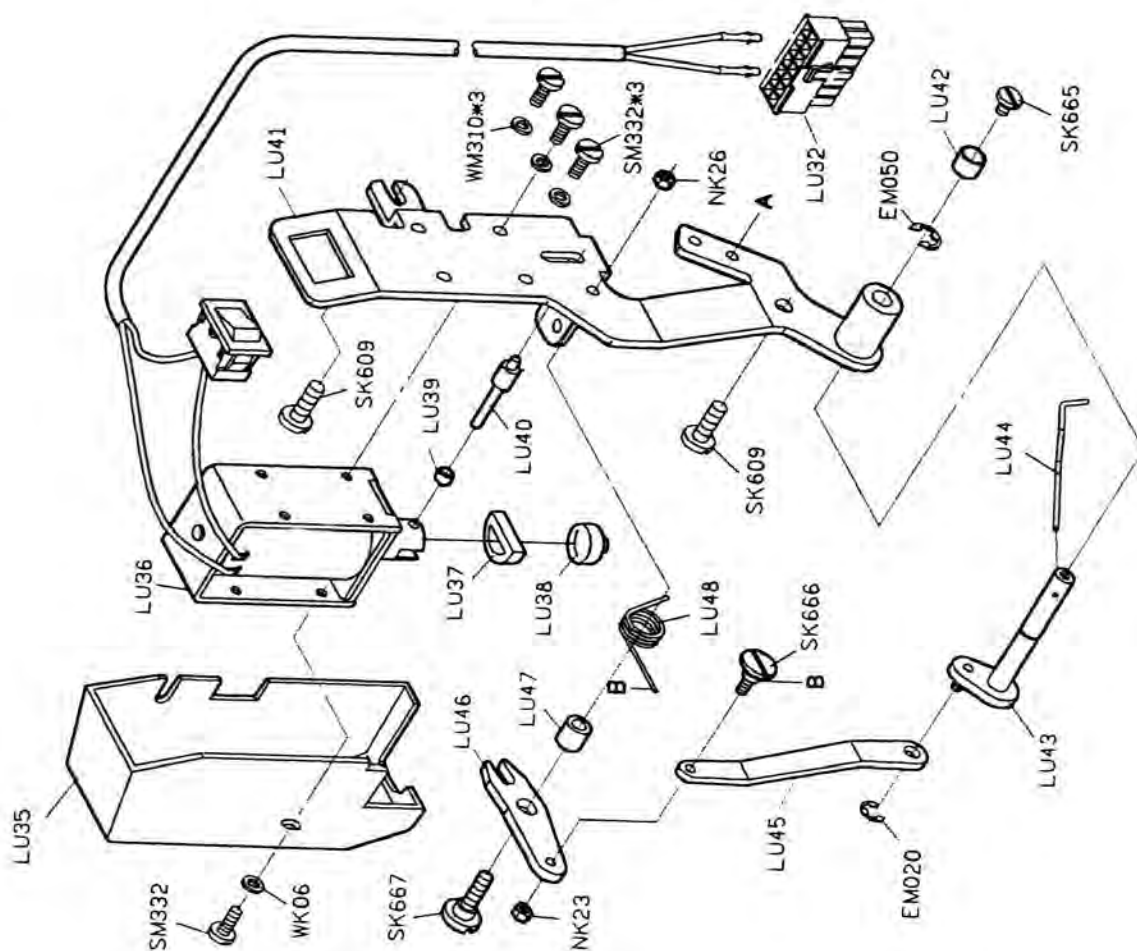
LM20-A



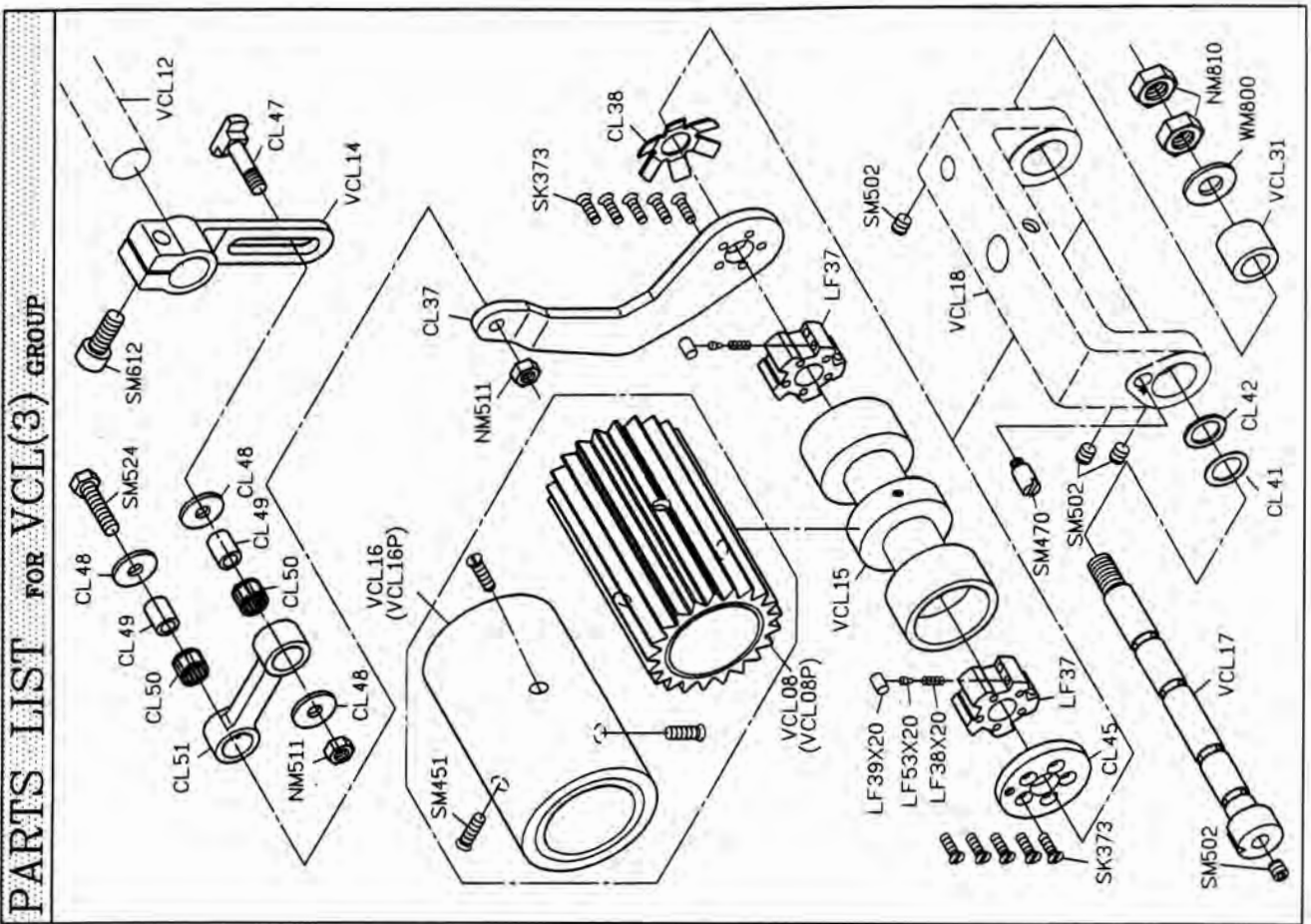
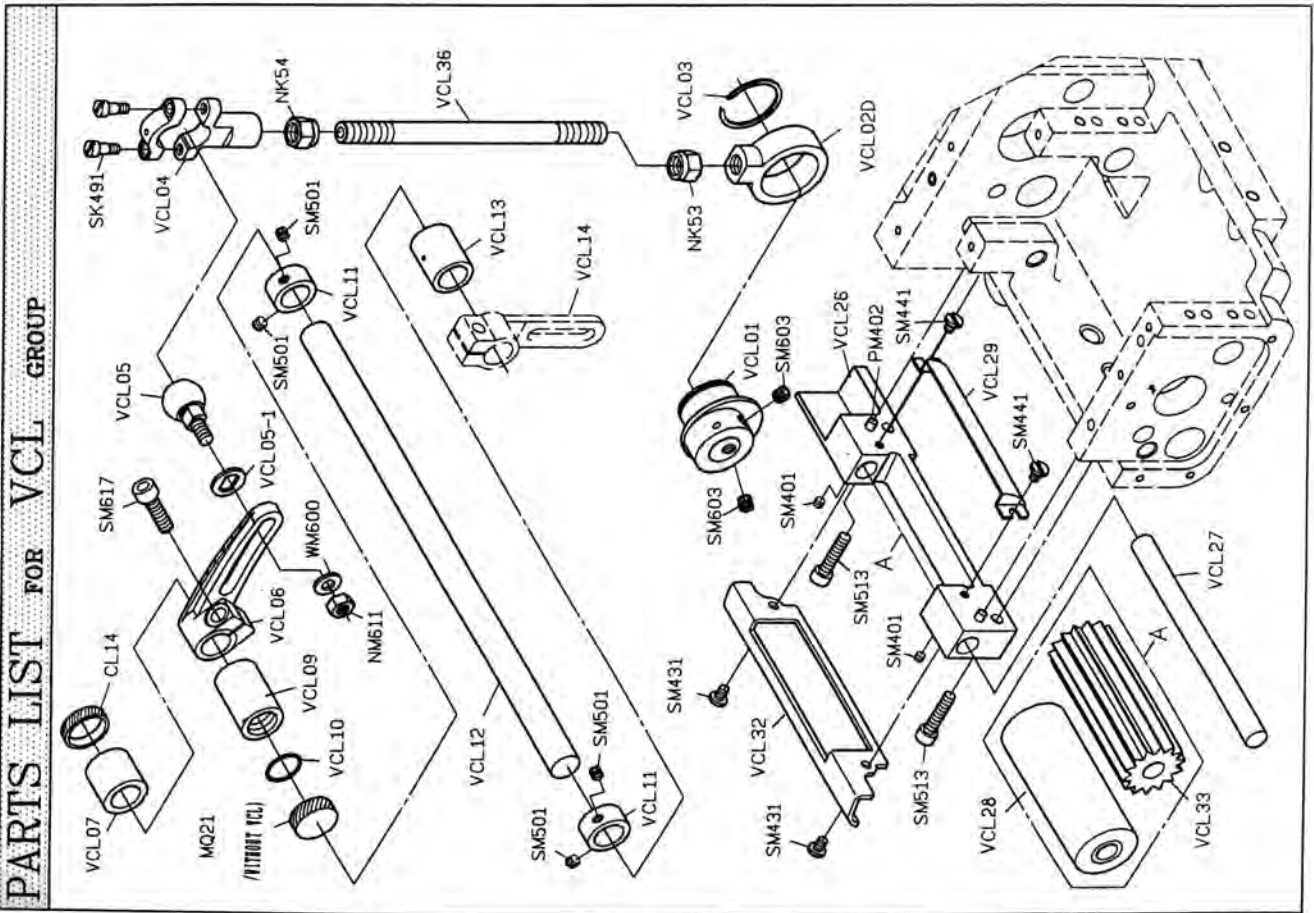
One-Touch Type Reverse Feed



Three Wiper

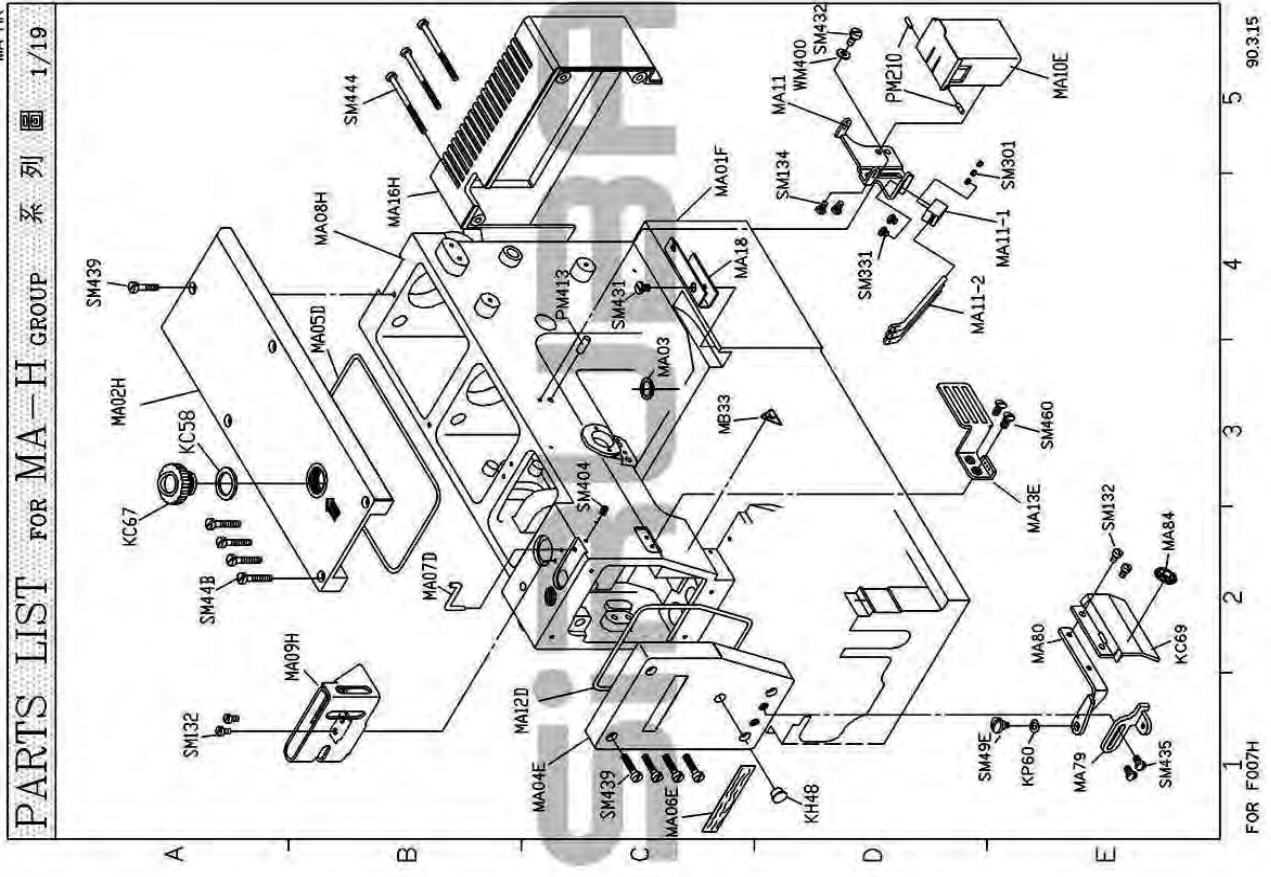
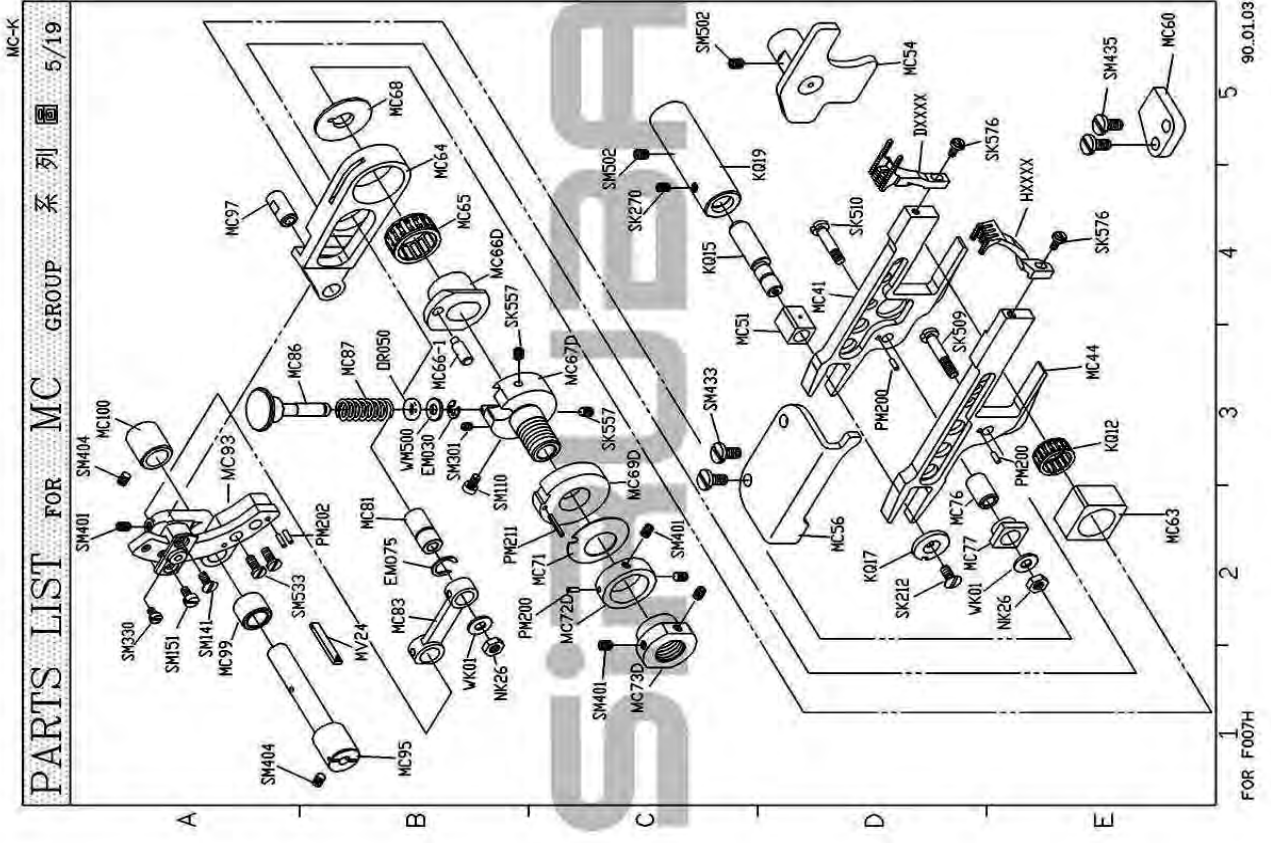


gruppo puller VC08 (VCL)

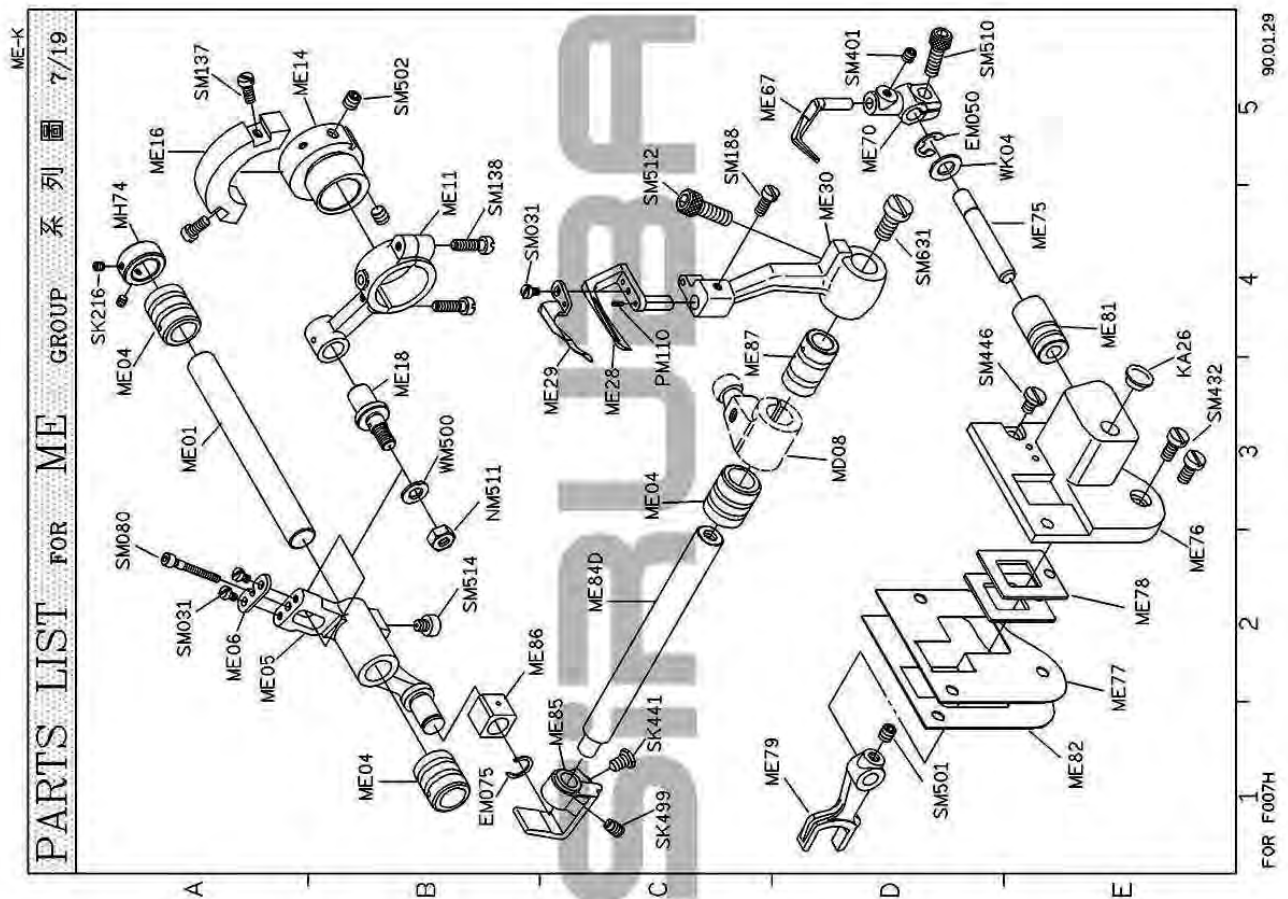
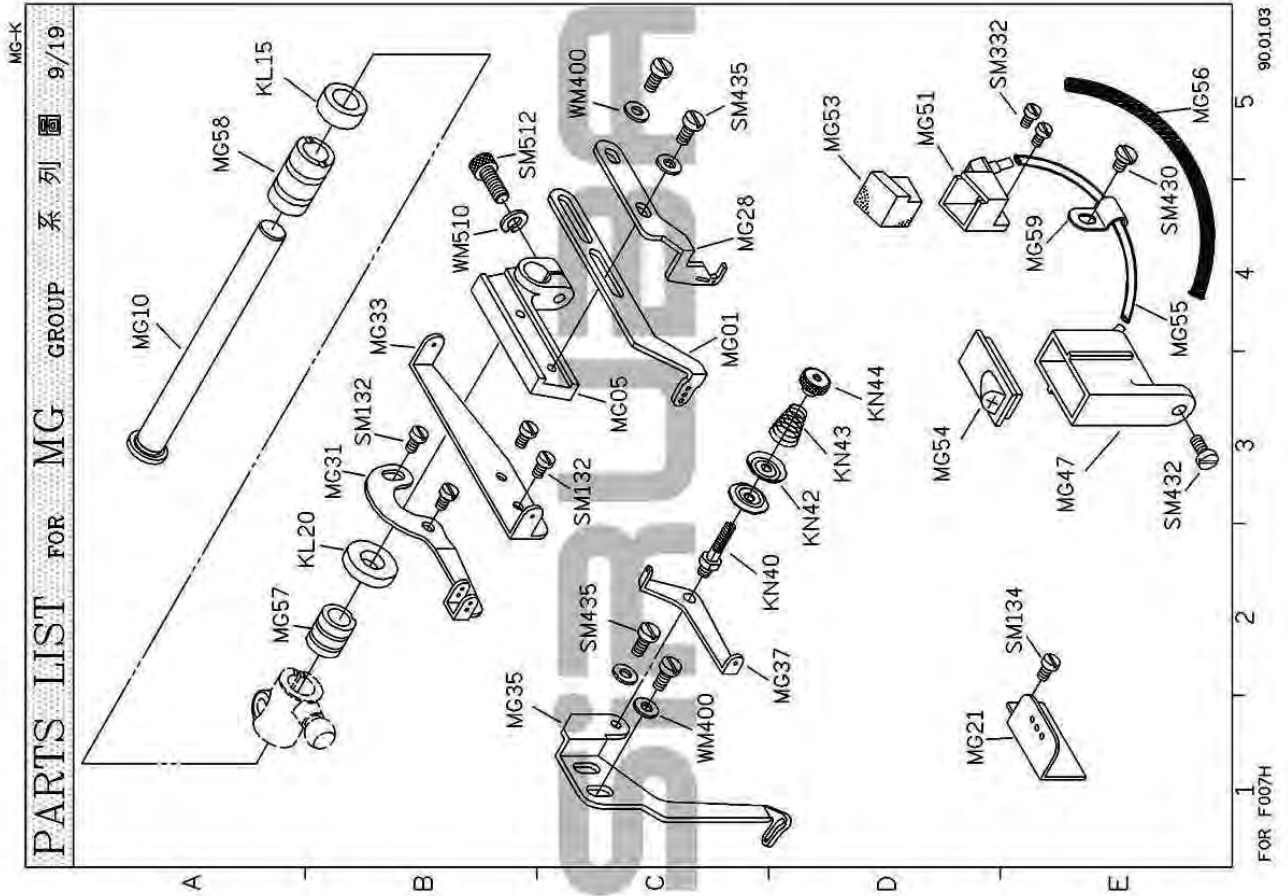


RICAMBI SIRUBA

RICAMBI SIRUBA F007



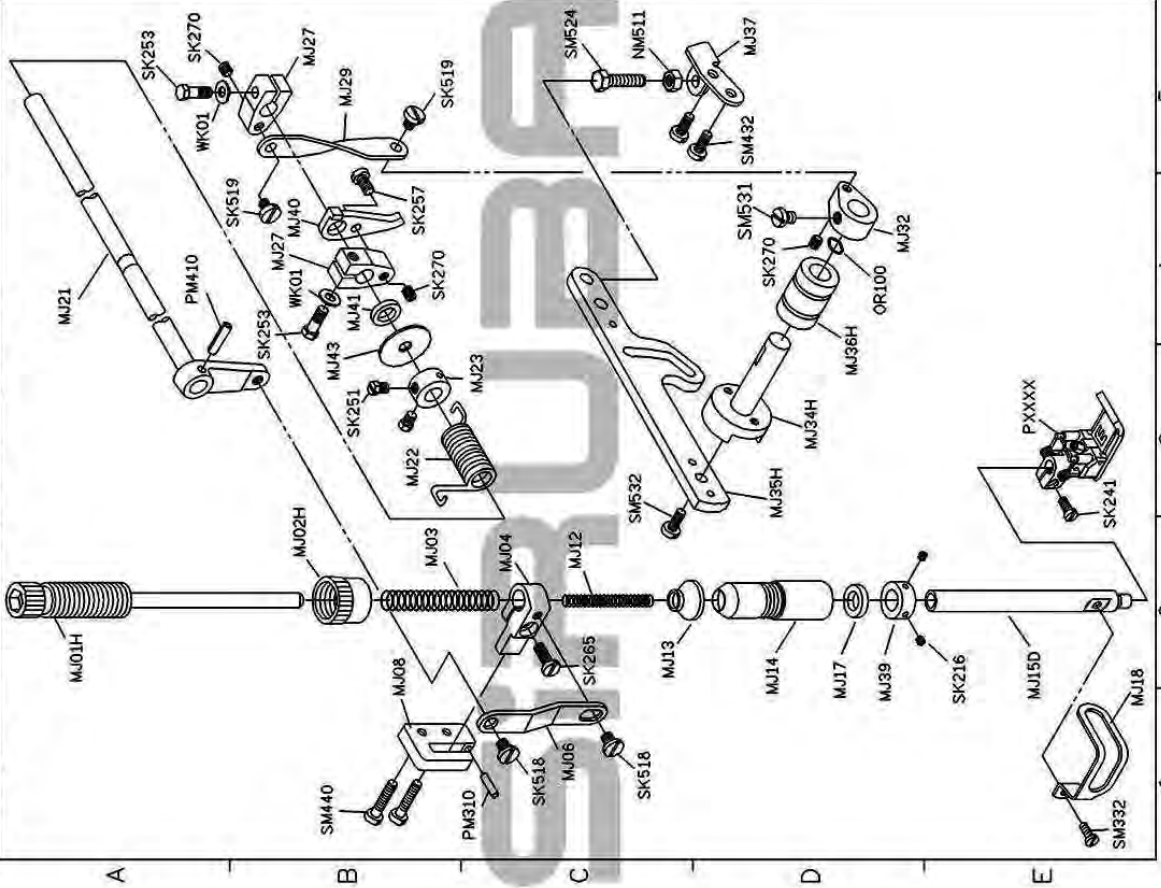
RICAMBI SIRUBA



RICAMBI SIRUBA

MJ-HK

PARTS LIST FOR MJ-H GROUP 系列圖 11/19

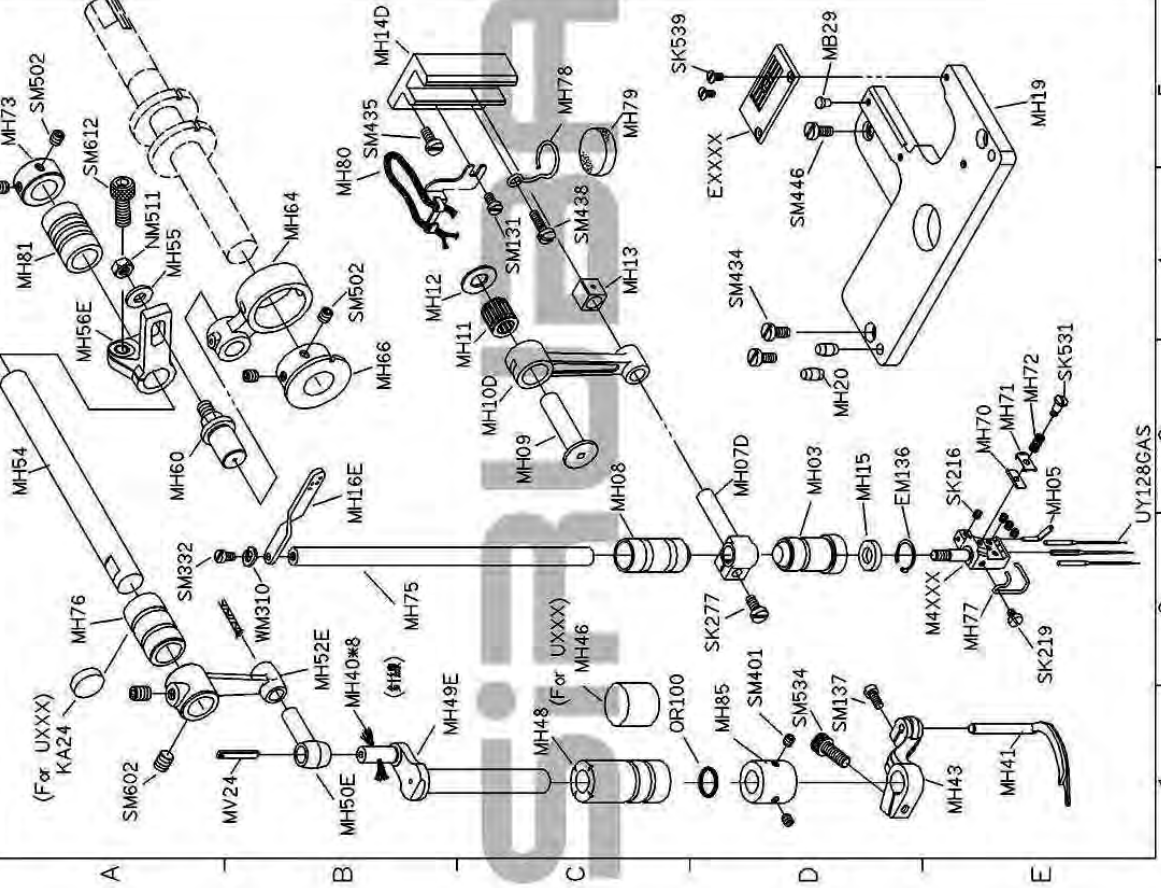


FOR F007H 5 4 3 2 1

90.06.27

MH-K

PARTS LIST FOR MH GROUP 系列圖 10/19



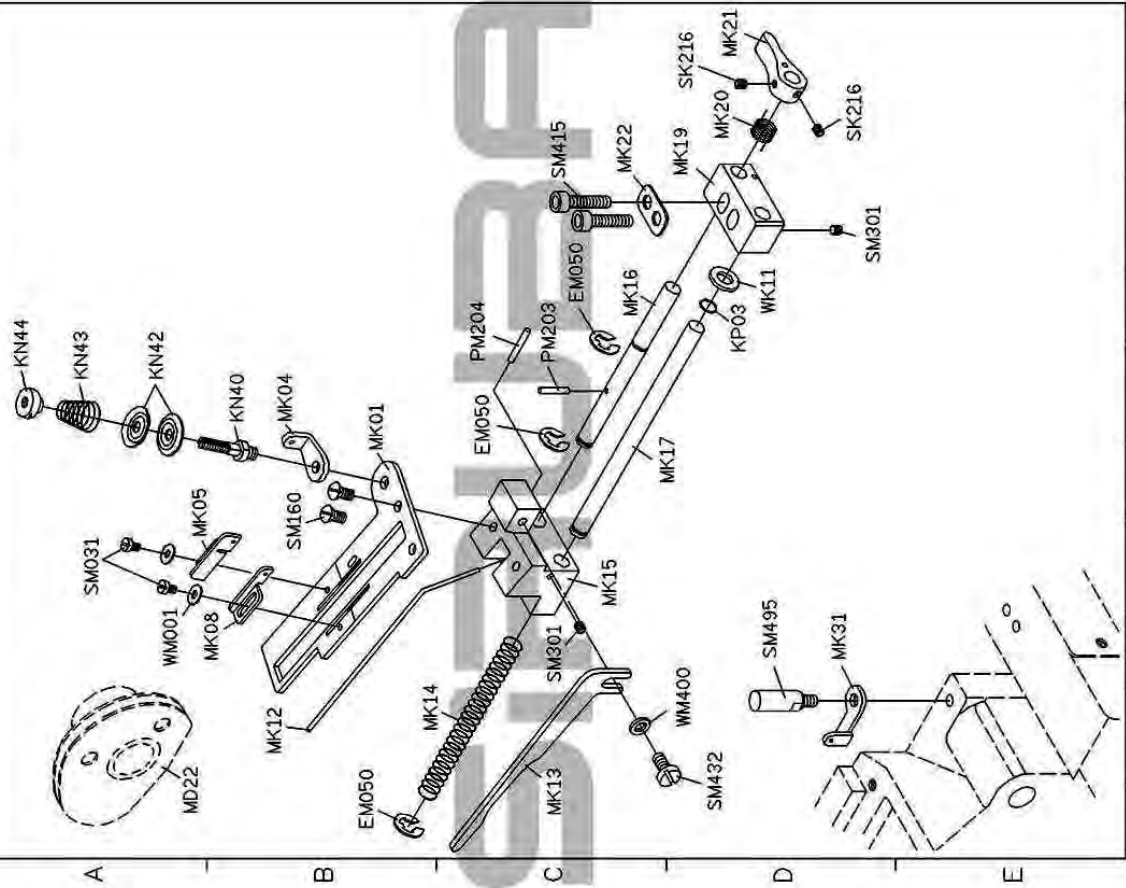
FOR F007H 5 4 3 2 1

90.02.08

RICAMBI SIRUBA

MK-HK

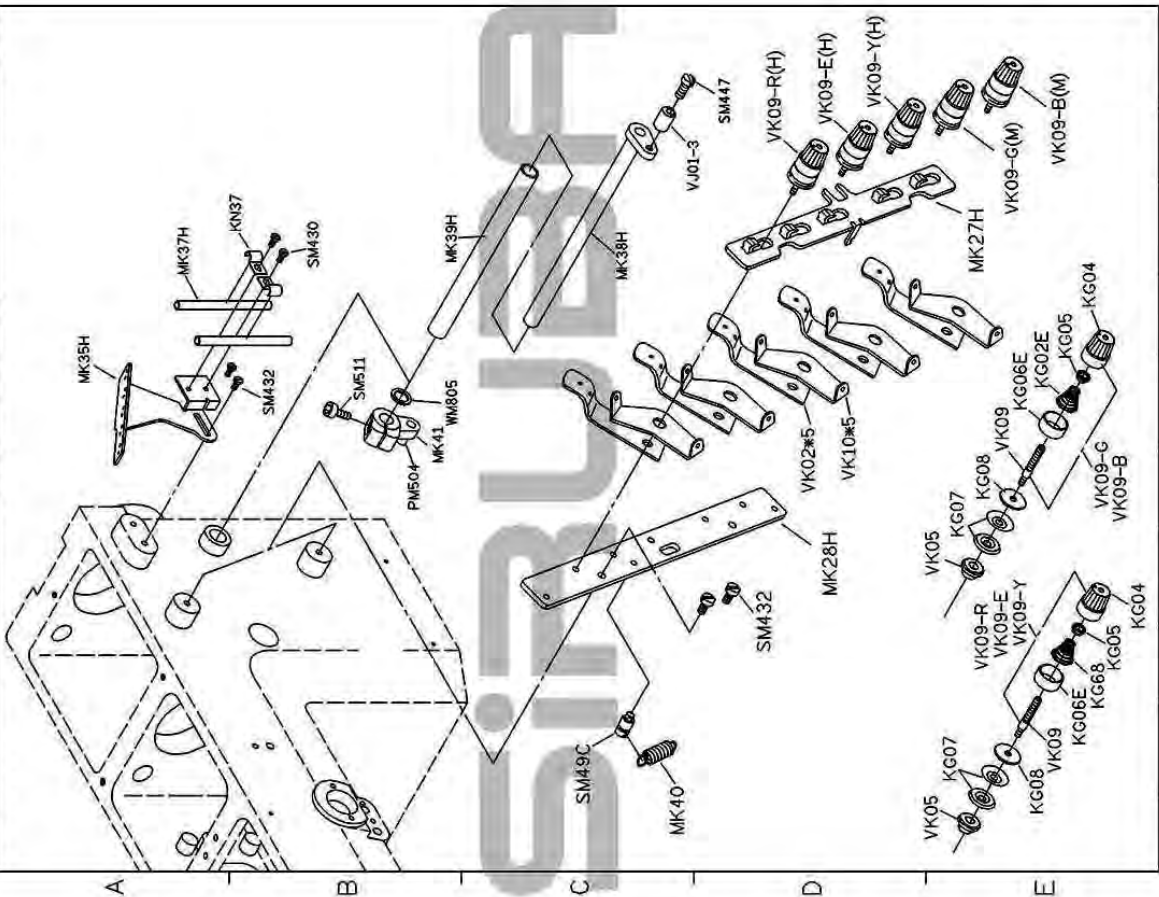
PARTS LIST FOR MK GROUP 系列 13/19



FOR F007H 1 2 3 4 5 90.01.05

MK-HK

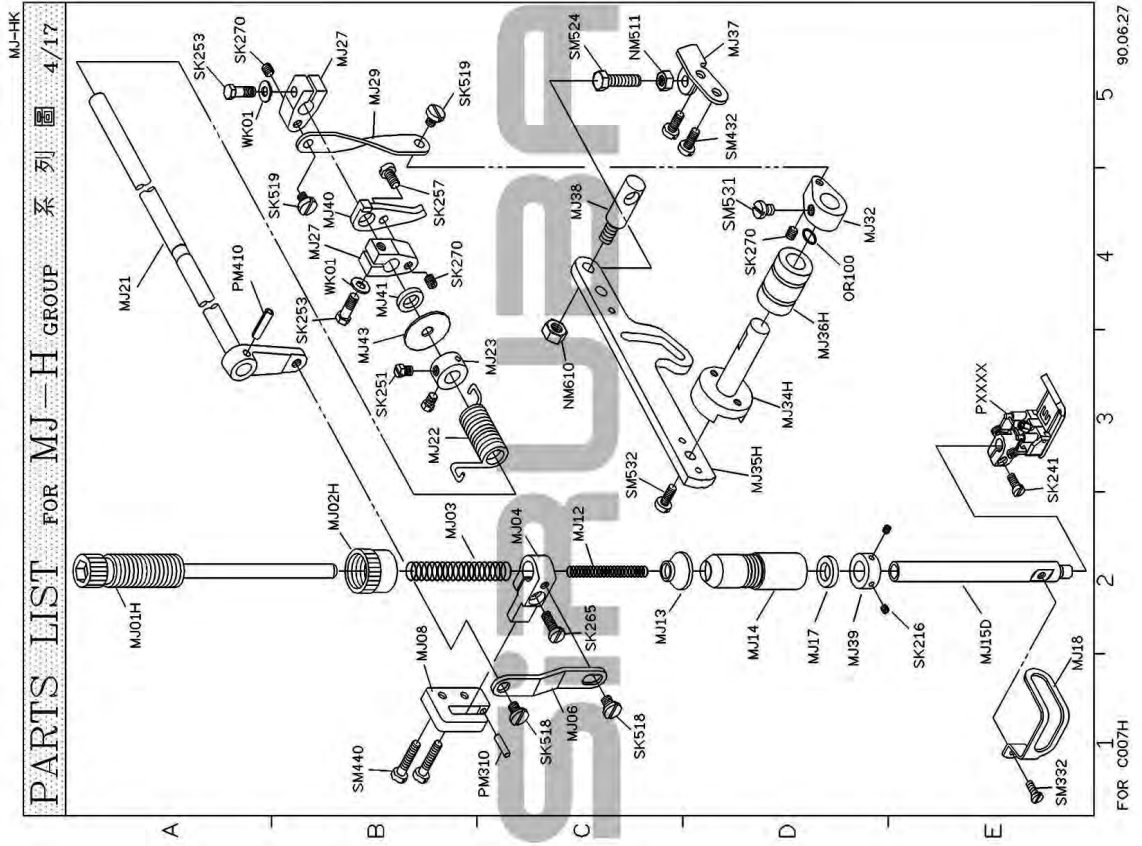
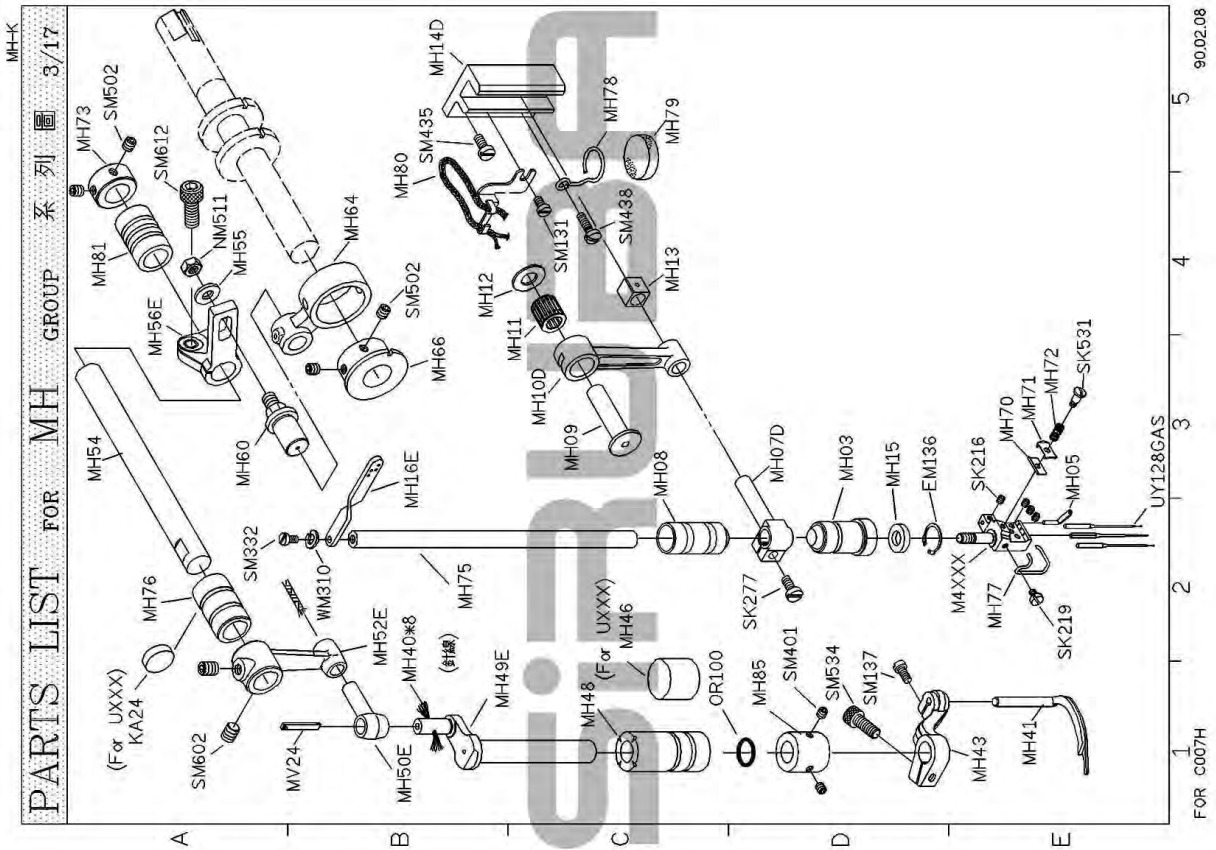
PARTS LIST FOR MK-H GROUP 系列 12/19



FOR C007H/F007H 1 2 3 4 5 90.01.05

RICAMBI SIRUBA C007 E - H

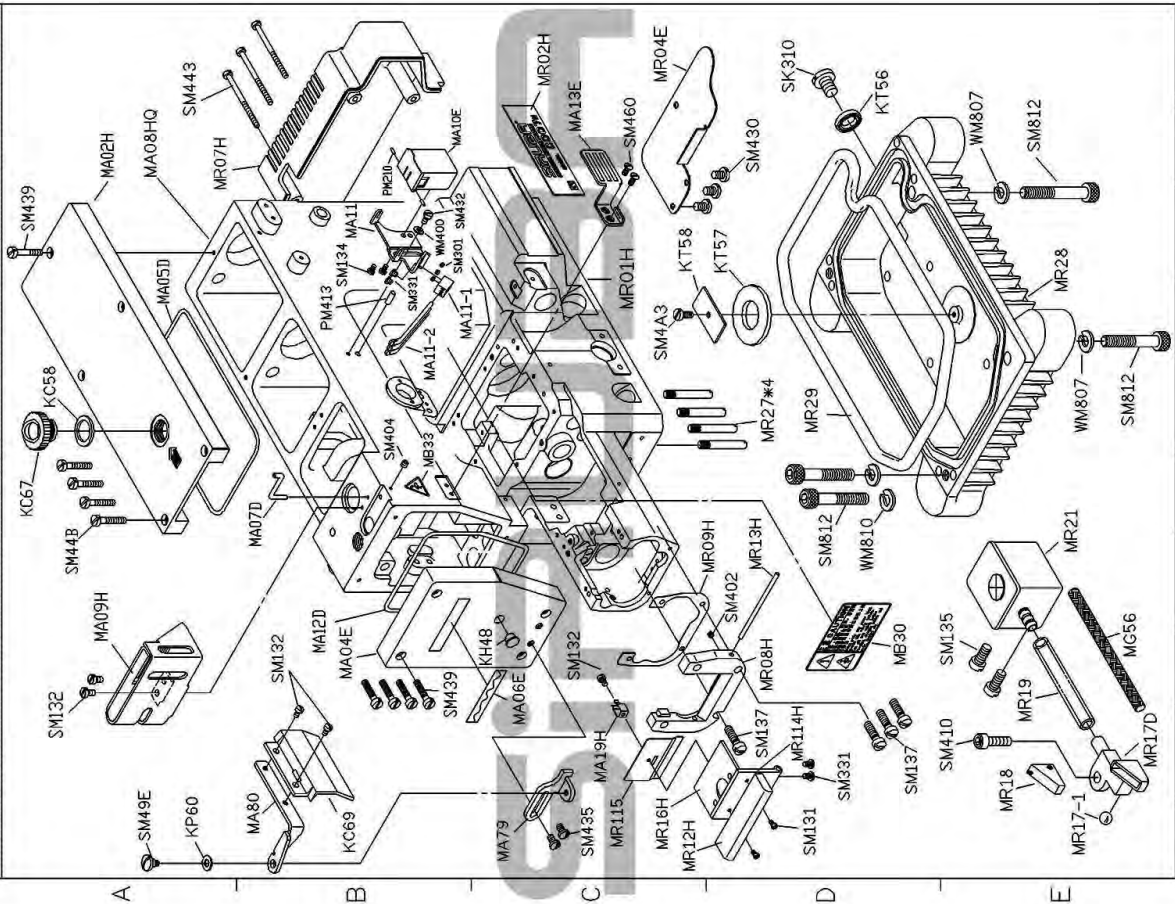
RICAMBI SIRUBA



RICAMBI SIRUBA

MR-HK

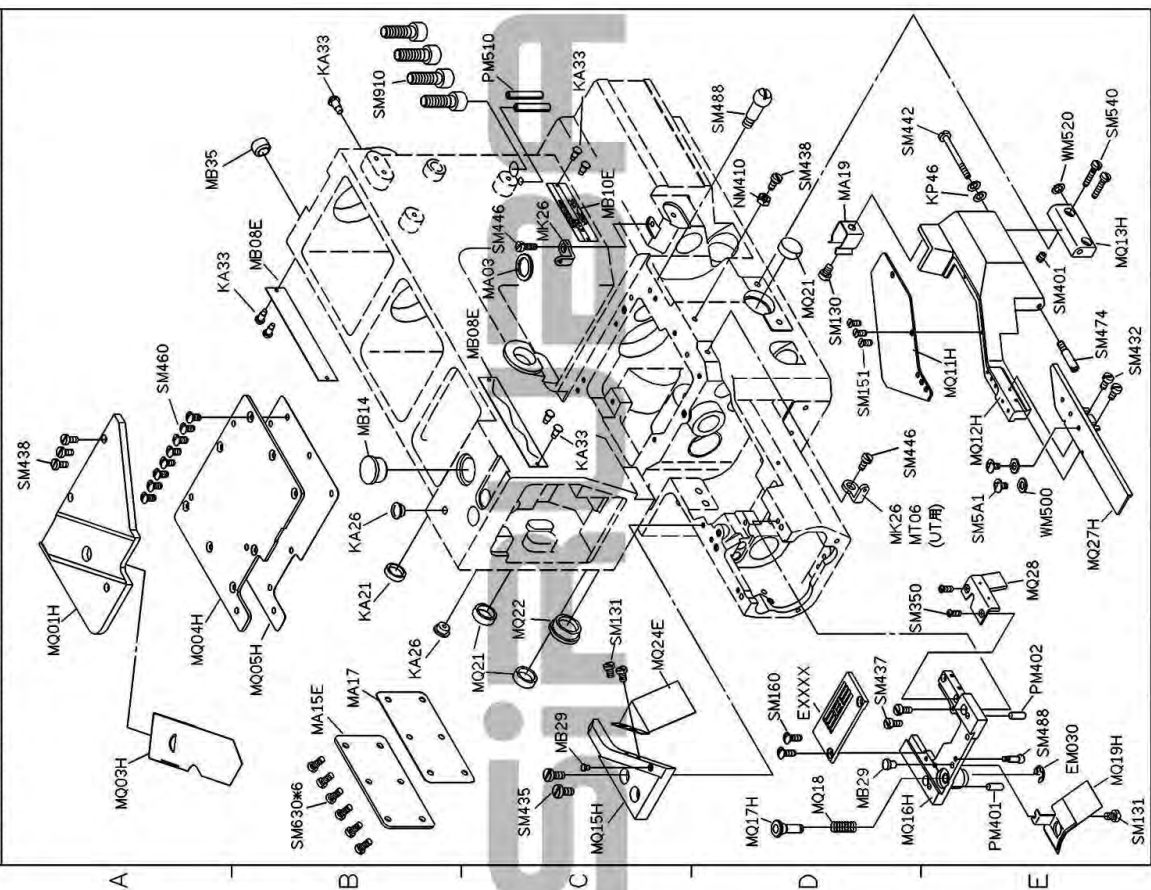
PARTS LIST FOR MR-H GROUP 系列圖 9/17



FOR C007H 1 2 3 4 5 90.03.15

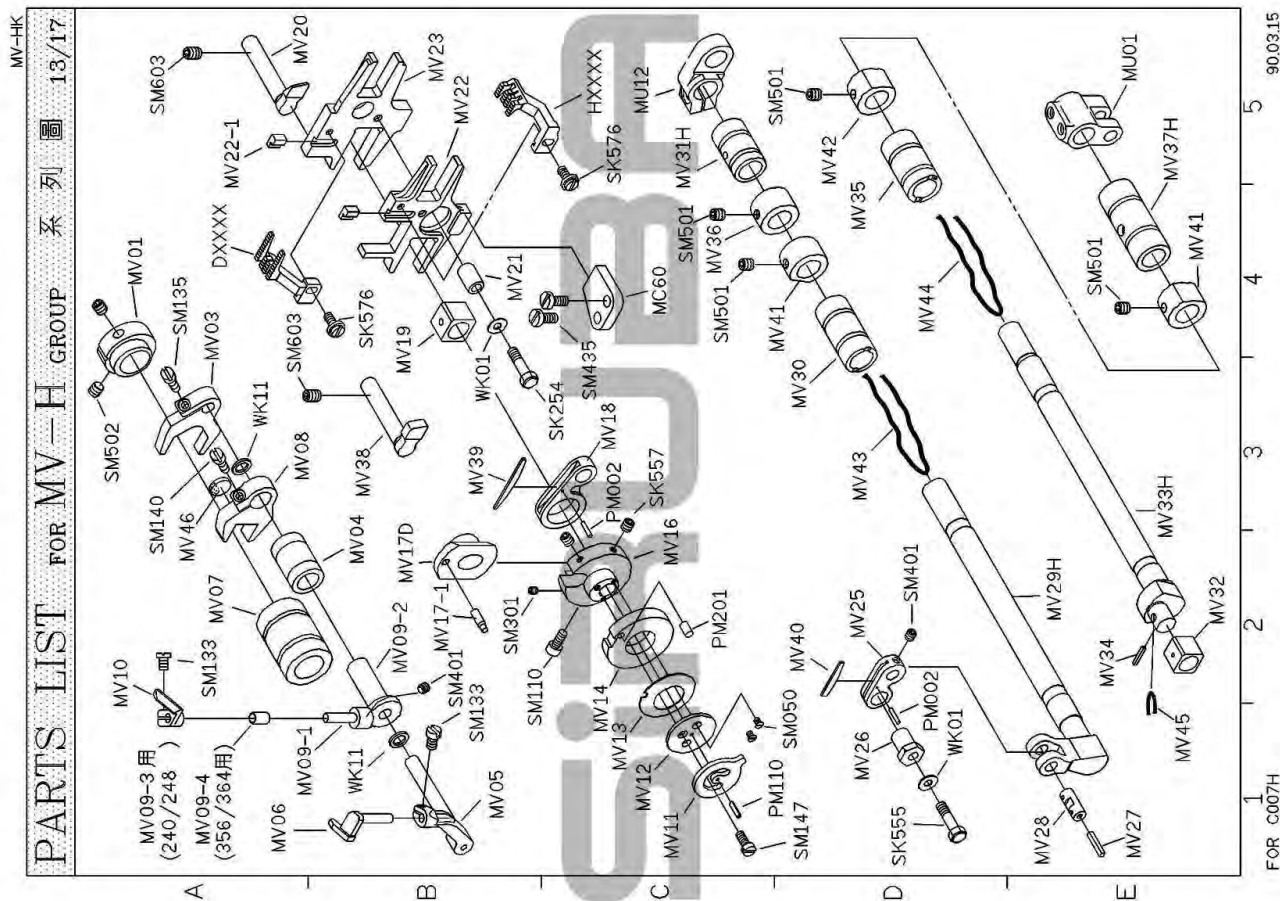
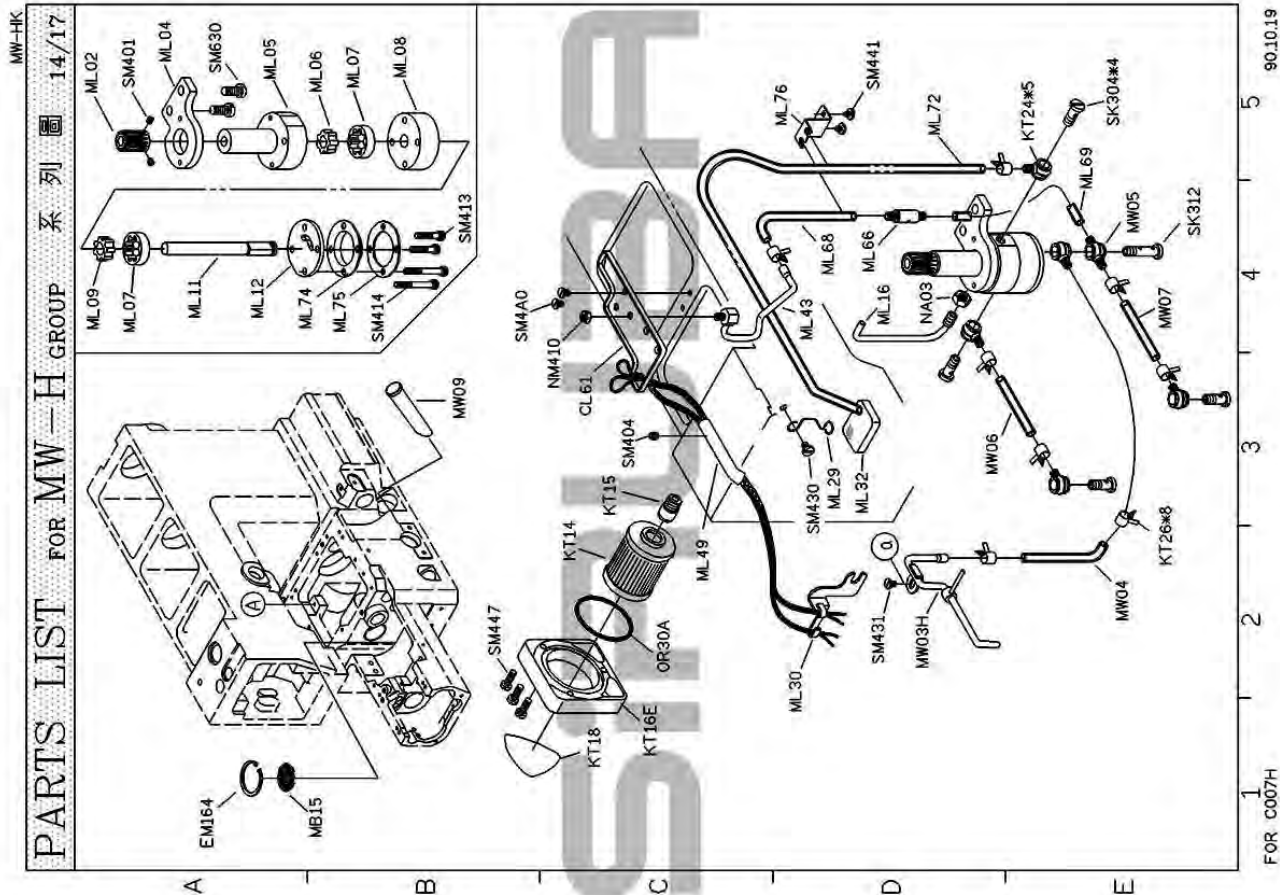
MQ-HK

PARTS LIST FOR MQ-H GROUP 系列圖 8/17

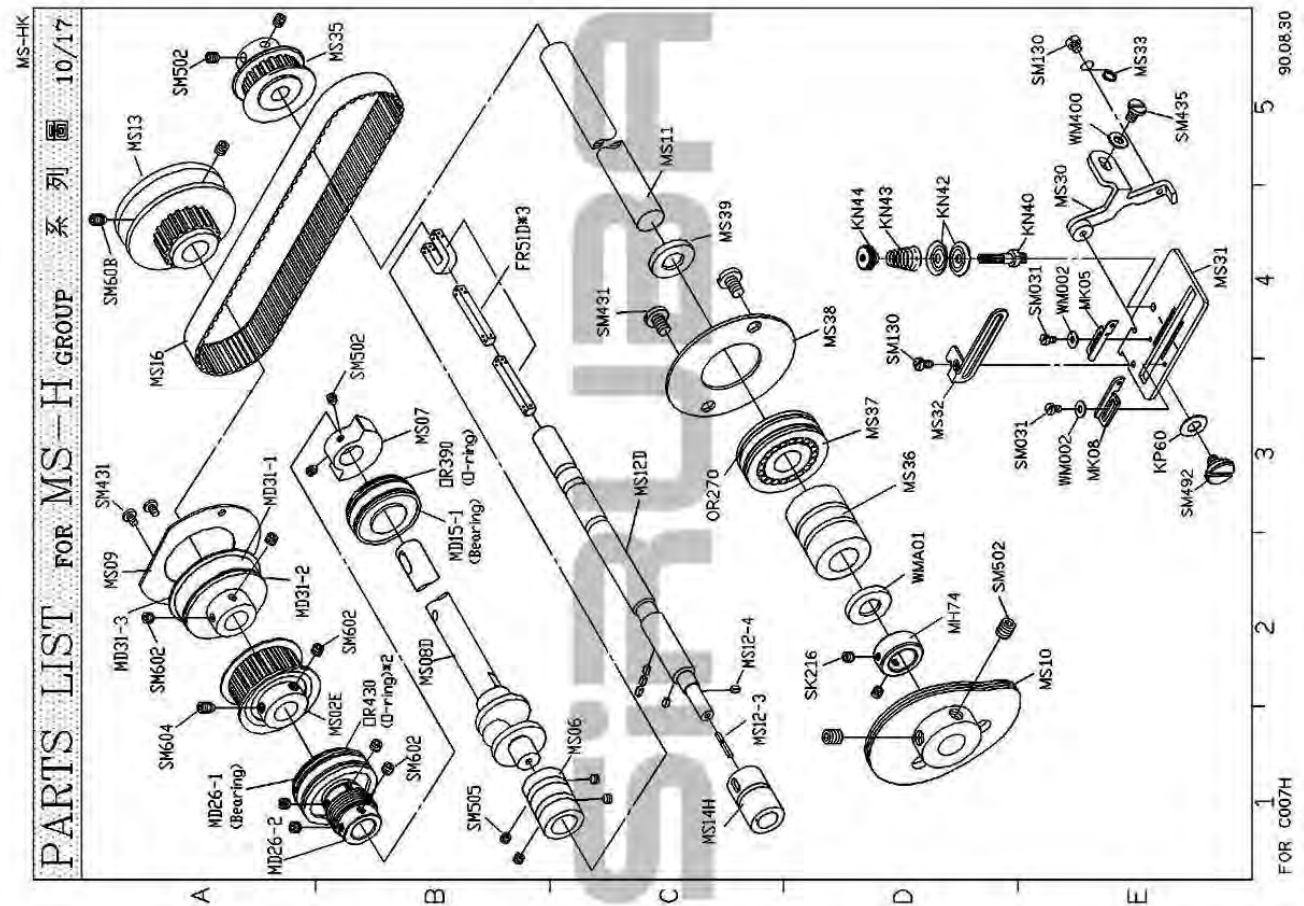
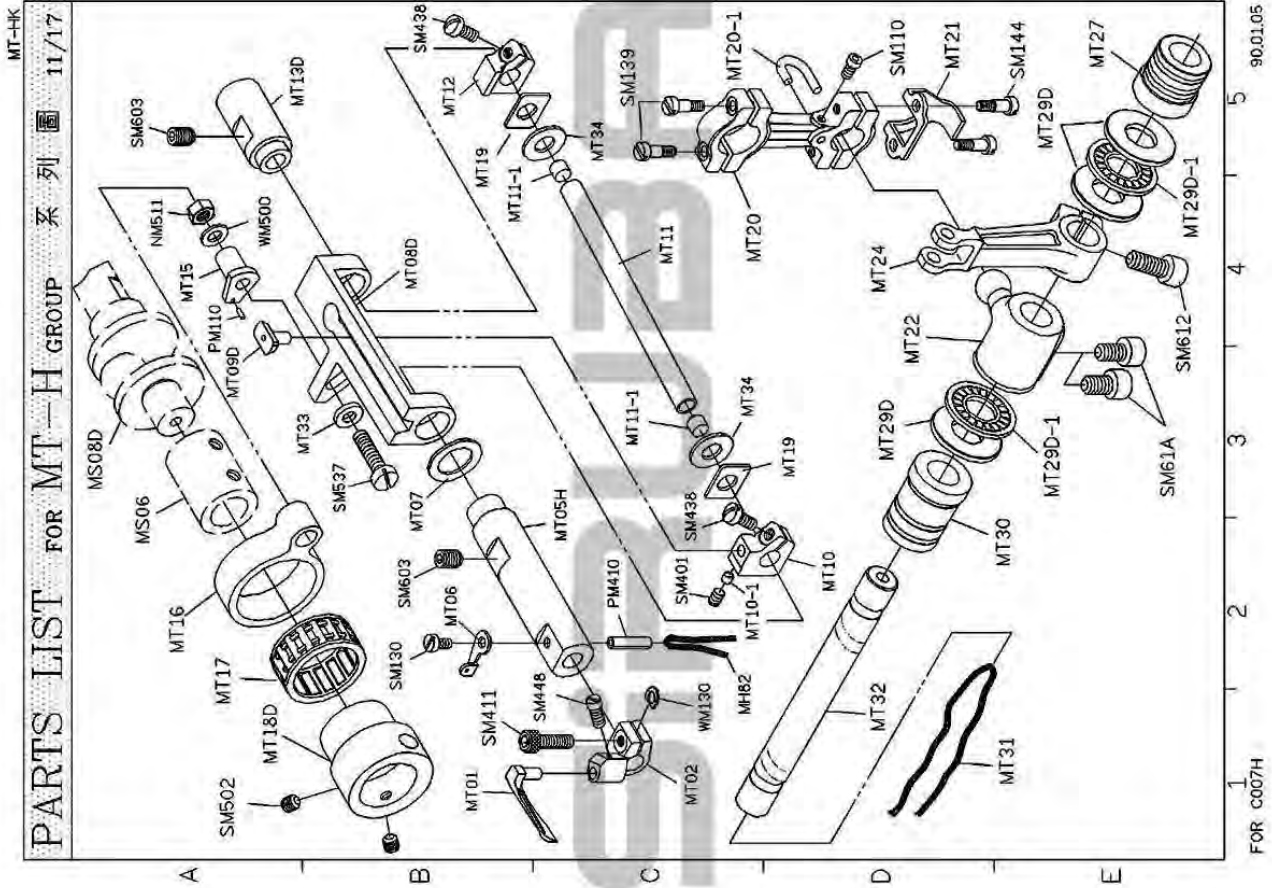


FOR C007H 1 2 3 4 5 90.12.05


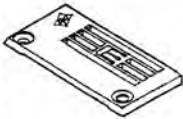
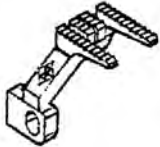
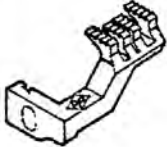

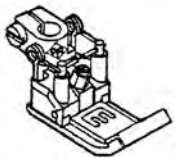
RICAMBI SIRUBA




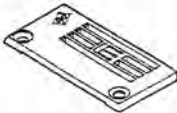



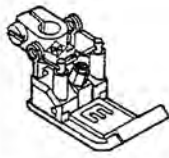
RICAMBI SIRUBA




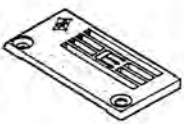
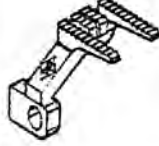


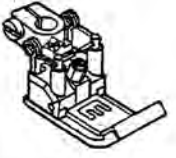
RICAMBI SIRUBA

| GAUGE SET | size | Throat Plate | Main Feed Dog | Diff Feed Dog | Needle Clamp | Presser foot asm. |
|--|---|---|---|--|---|---|
| C007E- |  |  |  |  |  |  |
| | mm | | | | | |
| W122/CH W122/CH/UTP(UTR) | 240 | E3524P | D4206 | H4258 | M4240 | P0024 |
| | 248 | E3525P | | | M4248 | P0025 |
| | 256 | E3826S | | | M4356 | P0216 |
| | 356 | E3826P | | | M4356 | P0216 |
| | 364 | E3827P | D4207 | H4259 | M4364 | P0217 |
| U122/CH U122/CH/UTQ(UTS) | 240 | E3524P | D4206 | H4258 | M4240 | P0314 |
| | 248 | E3525P | | | M4248 | P0315 |
| | 256 | E3826S | | | M4356 | P0416 |
| | 356 | E3826P | | | M4356 | P0416 |
| | 364 | E3827P | D4207 | H4259 | M4364 | P0417 |
| W132/CHE W132/CHE/UTP(UTR) | 240 | E2326 | D2109 | H2219 | M4240 | P2906 |
| | 248 | E2327 | | | M4248 | P2907 |
| | 356 | E2326 | D2110 | H2220 | M4356 | P2906 |
| | 364 | E2327 | | | M4364 | P2907 |
| W152/CZ/CL/UTP/RLQ U152/CZ/CL/UTQ/RLQ | 356 | E4326P | D3216 | H3262 | M4356 | P2416 |
| | 364 | E4327P | D3217 | H3263 | M4364 | P2417 |
| W222/CQ | 240 | E4124P | D3216 | H3362 | M4240 | P1814 |
| | 248 | E4125P | | | M4248 | P1815 |
| | 356 | E4426P | | | M4356 | P2116 |
| | 364 | E4427P | D3217 | H3363 | M4364 | P2117 |
| U222/CQ | 240 | E4124P | D3216 | H3362 | M4240 | P2314 |
| | 248 | E4125P | | | M4248 | P2315 |
| | 356 | E4426P | | | M4356 | P2616 |
| | 364 | E4427P | D3217 | H3363 | M4364 | P2617 |
| W322/CC U322/CC W322/CC/UTP(UTR) U322/CC/UTQ(UTS) | 356 | E2826P | D2107L | H3259M | M4356 | P1406 |
| | 364 | E2827P | | | M4364 | P1407 |
| W322/CD W322/CD/UTP(UTR) | 356 | E3626P | D4206 | H4158 | M4356 | P1406 |
| | 364 | E3627P | D4207 | H4159 | M4364 | P1407 |
| U322/CD U322/CD/UTQ(UTS) | 356 | E3626P | D4206 | H4158 | M4356 | P1606 |
| | 364 | E3627P | D4207 | H4159 | M4364 | P1607 |


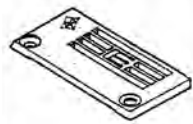



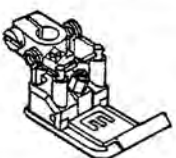
RICAMBI SIRUBA

| GAUGE SET | size | Throat Plate | Main Feed Dog | Diff Feed Dog | Needle Clamp | Presser foot asm. |
|--|---|---|---|--|---|---|
| F007E- |  |  |  |  |  |  |
| | mm | | | | | |
| W122 W122/UTG(UTJ) | 240 | E1524 | D1206 | H1258 | M4240 | P0024 |
| | 248 | E1525 | | | M4248 | P0025 |
| | 356 | E1826 | D1207 | H1259 | M4356 | P0216 |
| | 364 | E1827 | | | M4364 | P0217 |
| U122 U122/UTH(UTK) | 240 | E1524 | D1206 | H1258 | M4240 | P0314 |
| | 248 | E1525 | | | M4248 | P0315 |
| | 356 | E1826 | D1207 | H1259 | M4356 | P0416 |
| | 364 | E1827 | | | M4364 | P0417 |
| F007F-U122/FP | 232 | E1623 | D1206 | H1257 | M4232 | P4011 |
| W123 W123/UTG(UTJ) | 240 | E1534 | D1206 | H1258 | M4240 | P0024 |
| | 248 | E1535 | | | M4248 | P0025 |
| | 356 | E1836 | D1207 | H1259 | M4356 | P0216 |
| | 364 | E1837 | | | M4364 | P0217 |
| W162 W162/UTG(UTJ) | 356 | E1846 | D1207 | H1259 | M4356 | P0226 |
| | 364 | E1847 | | | M4364 | P0227 |
| W222/FQ W222/FQ/FE/FAC W222/FFD(FFP) | 240 | E3024 | D1215 | H1261 | M4240 | P1814 |
| | 248 | E3025 | | | M4248 | P1815 |
| | 356 | E3326 | D1216 | H1262 | M4356 | P2116 |
| | 364 | E3327 | | | M4364 | P2117 |
| U222/FQ U222/FFD(FFP) | 240 | E3024 | D1215 | H1261 | M4240 | P2314 |
| | 248 | E3025 | | | M4248 | P2315 |
| | 356 | E3326 | D1216 | H1262 | M4356 | P2616 |
| | 364 | E3327 | | | M4364 | P2617 |
| W222A/FQ/FEC(FAC) | 240 | E3124 | D1315 | H1261 | M4240 | P1914 |
| | 248 | E3125 | | | M4248 | P1915 |
| | 356 | E3426 | D1316 | H1262 | M4356 | P2216 |
| | 364 | E3427 | | | M4364 | P2217 |
| W223 | 240 | E3034 | D1215 | H1261 | M4240 | P1814 |
| | 356 | E3336 | D1216 | H1262 | M4356 | P2116 |
| | 364 | E3337 | | | M4364 | P2117 |
| W322/FDC W322/UTG(UTJ)/FDC | 356 | E4826 | D1207 | H1359 | M4356 | P1406 |
| | 364 | E4827 | | | M4364 | P1407 |
| U322/FDC U322/UTH(UTK)/FDC | 356 | E4826 | D1207 | H1359 | M4356 | P1606 |
| | 364 | E4827 | | | M4364 | P1607 |
| W322/FDE W322/UTG(UTJ)/FDE | 356 | E4836M | D1207 | H1459 | M4356 | P2406 |
| | 364 | E4837M | | | M4364 | P2407 |

RICAMBI SIRUBA

| GAUGE SET | size | Throat Plate | Main Feed Dog | Diff Feed Dog | Needle Clamp | Presser foot asm. |
|---|---|---|---|--|---|---|
| C007E- |  |  |  |  |  |  |
| | mm | | | | | |
| W322/CE U322/CE | 356 | E2626P | D2107 | H3159 | M4356 | P1406 |
| | 364 | E2627P | | | M4364 | P1407 |
| W322/CE/UTP(UTR) | 356 | E2626P | D2107 | H3159 | M4356 | P1406 |
| | 364 | E2627P | | | M4364 | P1407 |
| U322/CE/UTQ(UTS) | 356 | E2626P | D2107 | H3159 | M4356 | P1606 |
| | 364 | E2627P | | | M4364 | P1607 |
| U322/CF U322/CF/UTQ(UTS) | 248 | E2625P | D2106 | H3158 | M4348 | P1605 |
| W512/FE(FFC) | 240 | E3524 | D4206 | H4258 | M4240 | P2914 |
| | 356 | E3826 | | | M4356 | P3216 |
| | 364 | E3827 | D4207 | H4259 | M4364 | P3217 |
| U512/FE(FFC) | 240 | E3524 | D4206 | H4258 | M4240 | P3414 |
| | 356 | E3826 | | | M4356 | P3716 |
| | 364 | E3827 | D4207 | H4259 | M4364 | P3717 |
| W522/FE(FFC)/CRA/CL W522/FE(FFC)/CRB/CL U522/FE(FFC)/CRA/CL U522/FE(FFC)/CRB/CL | 356 | E6426 | D3222 | H3268 | M4356 | P3826 |
| | 364 | E6427 | | | M4364 | P3827 |
| W532/CRA/UTP/CL/RLP/CX U532/CRA/UTQ/CL/RLP/CX | 356 | E6426 | D3222 | H3268 | M4356 | P3816 |
| | 364 | E6427 | | | M4364 | P3817 |
| W542/CFC(CFE)/CL U542/CFC(CFE)/CL | 240 | E2324 | D2109 | H2219 | M4240 | P2904 |
| | 248 | E2325 | | | M4248 | P2905 |
| | 356 | E2326 | D2110 | H2220 | M4356 | P2906 |
| | 364 | E2327 | | | M4364 | P2907 |
| W812/CRL/RL W812/CRL/CHP/RL W812/CRL/CHP/UTP/RL W822/CRL/CY/CL/RL W822/CRL/CY/UTP/CL/RL | 356 | E0226P | D2101 | H2203 | M4356 | P2766 |
| | 364 | E0227P | D2101 | H2203 | M4364 | P2767 |
| U812/CRL/RL U812/CRL/CHP/RL U812/CRL/CHP/UTQ/RL U822/CRL/CY/CL/RL U822/CRL/CY/UTQ/CL/RL | 356 | E0226P | D2101 | H2203 | M4356 | P0966 |
| | 364 | E0227P | D2101 | H2203 | M4364 | P0967 |

RICAMBI SIRUBA

| GAUGE SET | size | Throat Plate | Main Feed Dog | Diff Feed Dog | Needle Clamp | Presser foot asm. |
|-------------------------------|---|---|---|--|---|---|
| F007E- |  |  |  |  |  |  |
| | mm | | | | | |
| U322/FDE U322/UTH(UTK)/FDE | 356 | E4836M | D1207 | H1459 | M4356 | P2606 |
| | 364 | E4837M | | | M4364 | P2607 |
| W512/FE(FFC) | 240 | E1524 | D1206 | H1258 | M4240 | P2914 |
| | 248 | E1525 | | | M4248 | P2915 |
| | 356 | E1826 | D1207 | H1259 | M4356 | P3216 |
| | 364 | E1827 | | | M4364 | P3217 |
| U512/FE(FFC) | 240 | E1524 | D1206 | H1258 | M4240 | P3414 |
| | 248 | E1525 | | | M4248 | P3415 |
| | 356 | E1826 | D1207 | H1259 | M4356 | P3716 |
| | 364 | E1827 | | | M4364 | P3717 |
| W522/FE(FFC)/FR | 240 | E6024 | D2221 | H2267 | M4240 | P2814 |
| | 248 | E6025 | | | M4248 | P2815 |
| | 356 | E6326 | D2222 | H2268 | M4356 | P3116 |
| | 364 | E6327 | | | M4364 | P3117 |
| U522/FE(FFC)/FR | 240 | E6024 | D2221 | H2267 | M4240 | P3314 |
| | 248 | E6025 | | | M4248 | P3315 |
| | 356 | E6326 | D2222 | H2268 | M4356 | P3616 |
| | 364 | E6327 | | | M4364 | P3617 |
| U612/FBP | 256 | E1826 | D1207 | H1259 | M4356 | P4000 |
| | 264 | E1827 | | | M4364 | P4001 |
| U612/FBQ | 256 | E1826 | D5001 | H5001 | M4356 | P4000 |
| | | E4001 | | | | P4002 |
| | 264 | E1827 | | | M4364 | P4001 |
| | | E4001 | | | | P4002 |
| U613/FBP | 256 | E1836L | D1207 | H1259 | M4356 | P4000 |
| | 264 | E1837L | | | M4364 | P4001 |
| U613/FBQ | 256 | E1836L | D5001 | H5001 | M4356 | P4000 |
| | | E4001 | | | | P4002 |
| | 264 | E1837L | | | M4364 | P4001 |
| | | E4001 | | | | P4002 |
| U712 | 264 | E5827 | D5207 | H5259 | M5264 | P4117 |
| U712/FSP | 264 | E5827 | D5207 | H5259 | M5264 | P5117 |
| U712/FSR | 264 | E5927 | D5307 | H5359 | M5264 | P4217 |
| W722/FY | 388 | E6828 | D6207 | H6259 | M4388 | P6117 |
| W922/FW(FWP) | 460 | E1828 | D1207 | H1259 | M4460 | P2408 |