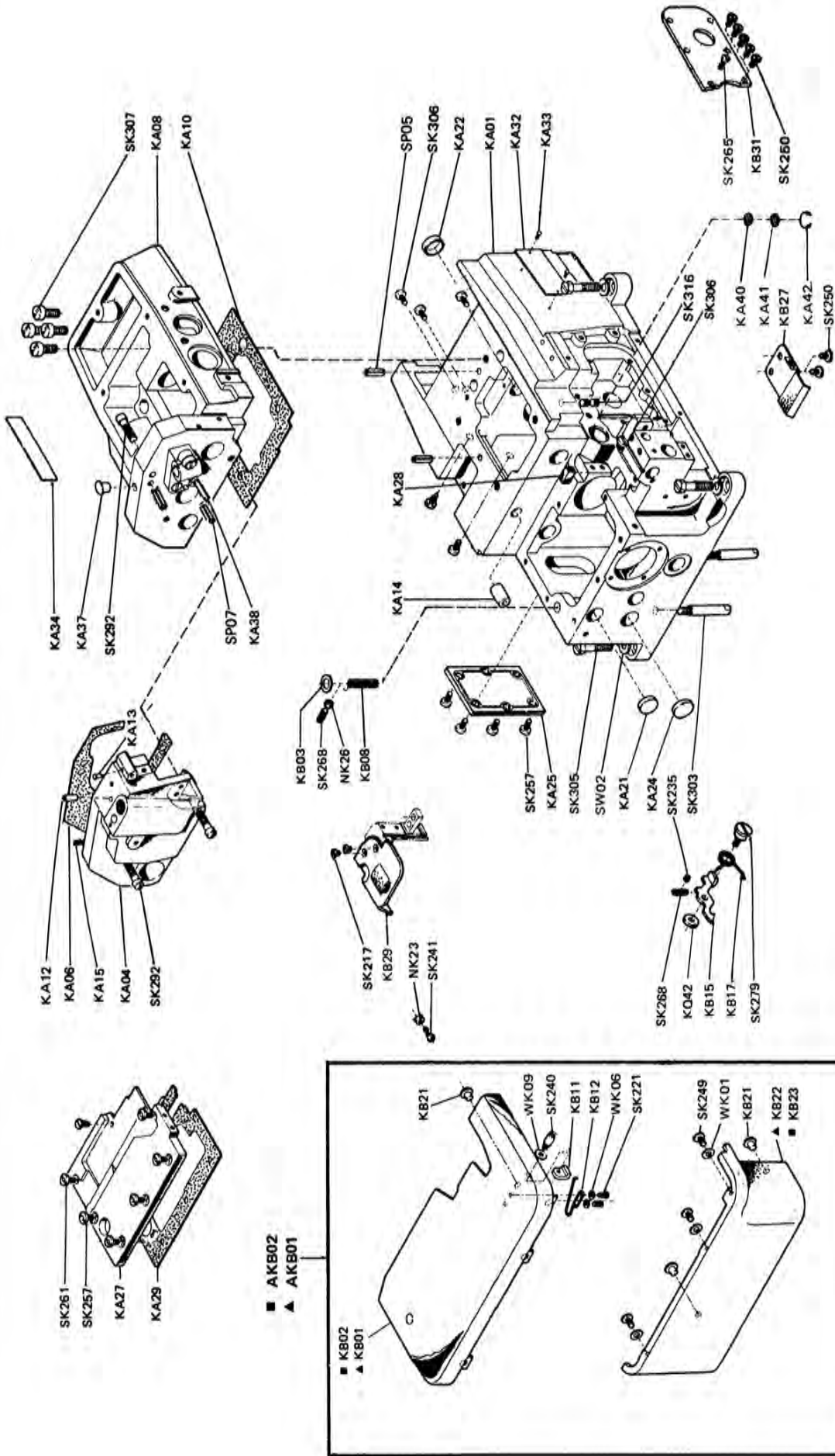


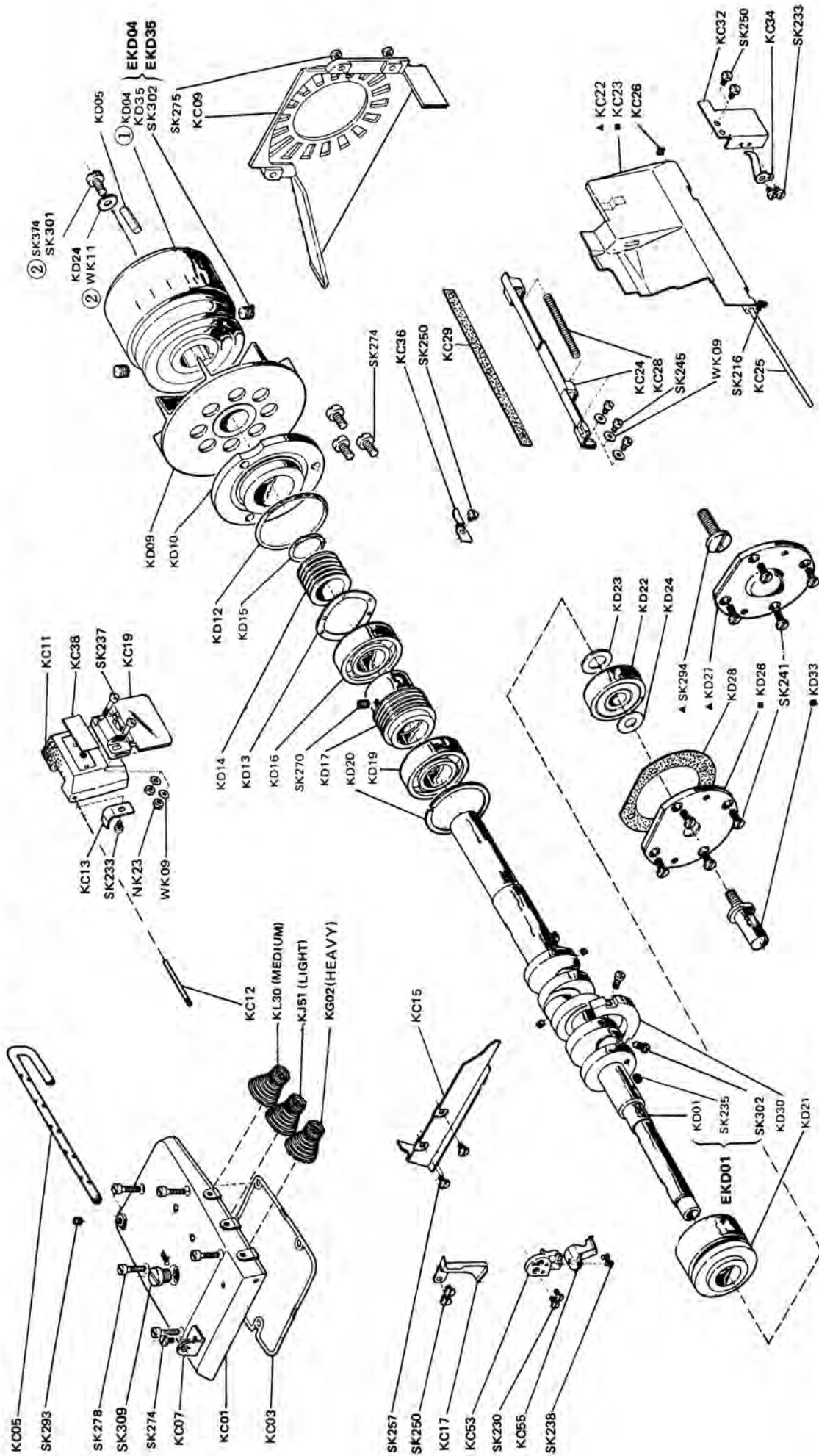
PARTS LIST FOR KA KB GROUP



REMARK: ▲ PARTS FOR 3, 4 THREAD MACHINE.
 ■ PARTS FOR 5 THREAD MACHINE.

● PARTS NUMBER IS LISTED IN CONVERSION CHART.
 ★ PARTS CAN ONLY BE SUPPLIED PER GROUP.

PARTS LIST FOR KC KD GROUP



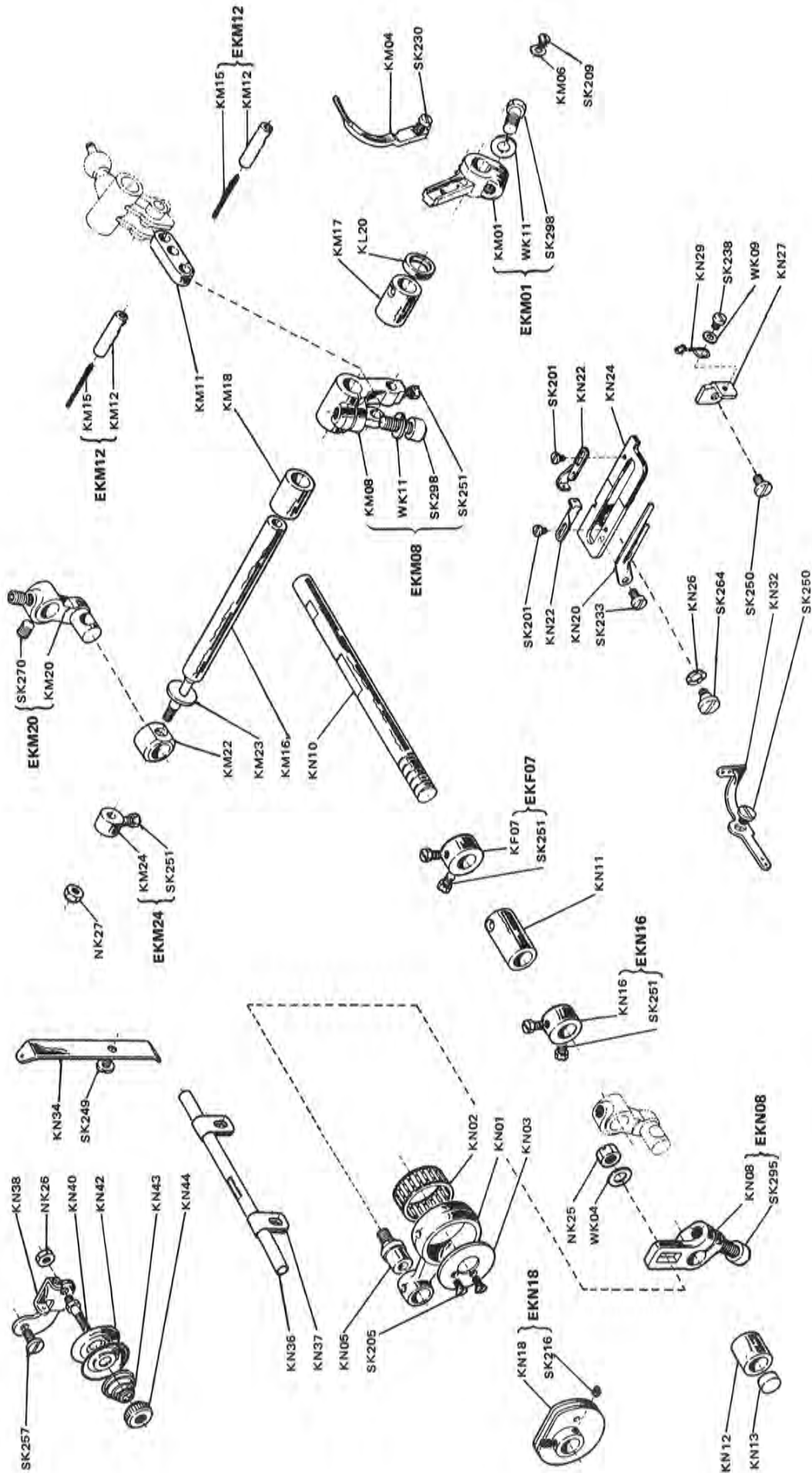
Special description: 1 KD04 be used in regular clutch motor
 KD35 be used in position motor

@ Parts for KD35 only

REMARK: ▲ PARTS FOR 3,4 THREAD MACHINE.
 ■ PARTS FOR 5 THREAD MACHINE.

● PARTS NUMBER IS LISTED IN CONVERSION CHART.
 ★ PARTS CAN ONLY BE SUPPLIED PER GROUP.

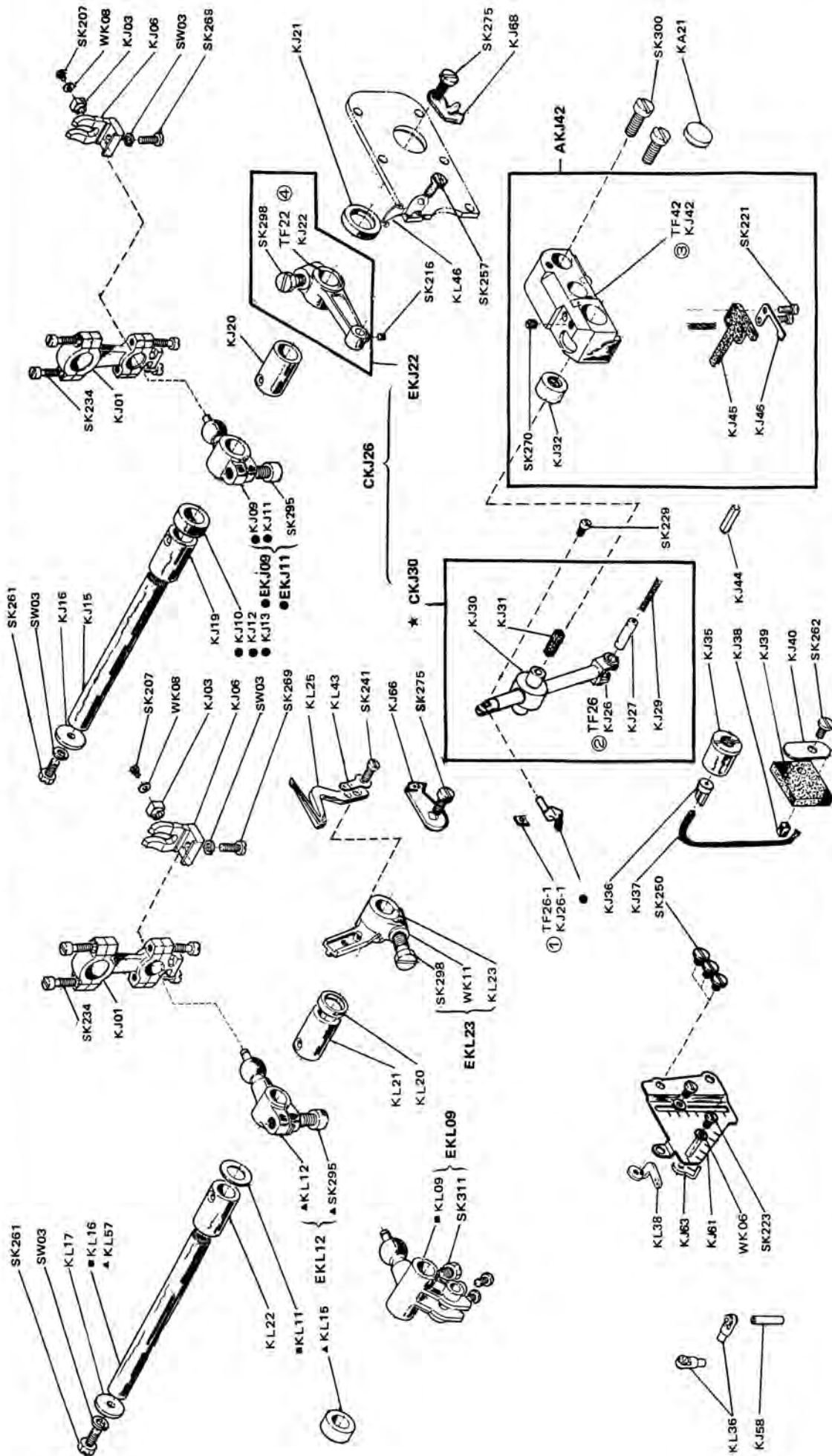
PARTS LIST FOR KM KN GROUP



REMARK: ▲ PARTS FOR 3, 4 THREAD MACHINE.
 ■ PARTS FOR 5 THREAD MACHINE.

● PARTS NUMBER IS LISTED IN CONVERSION CHART.
 ★ PARTS CAN ONLY BE SUPPLIED PER GROUP.

PARTS LIST FOR KJ KL GROUP



Special description: ① TF26-1 FOR 516X1.
 ② TF26 FOR 516X1.

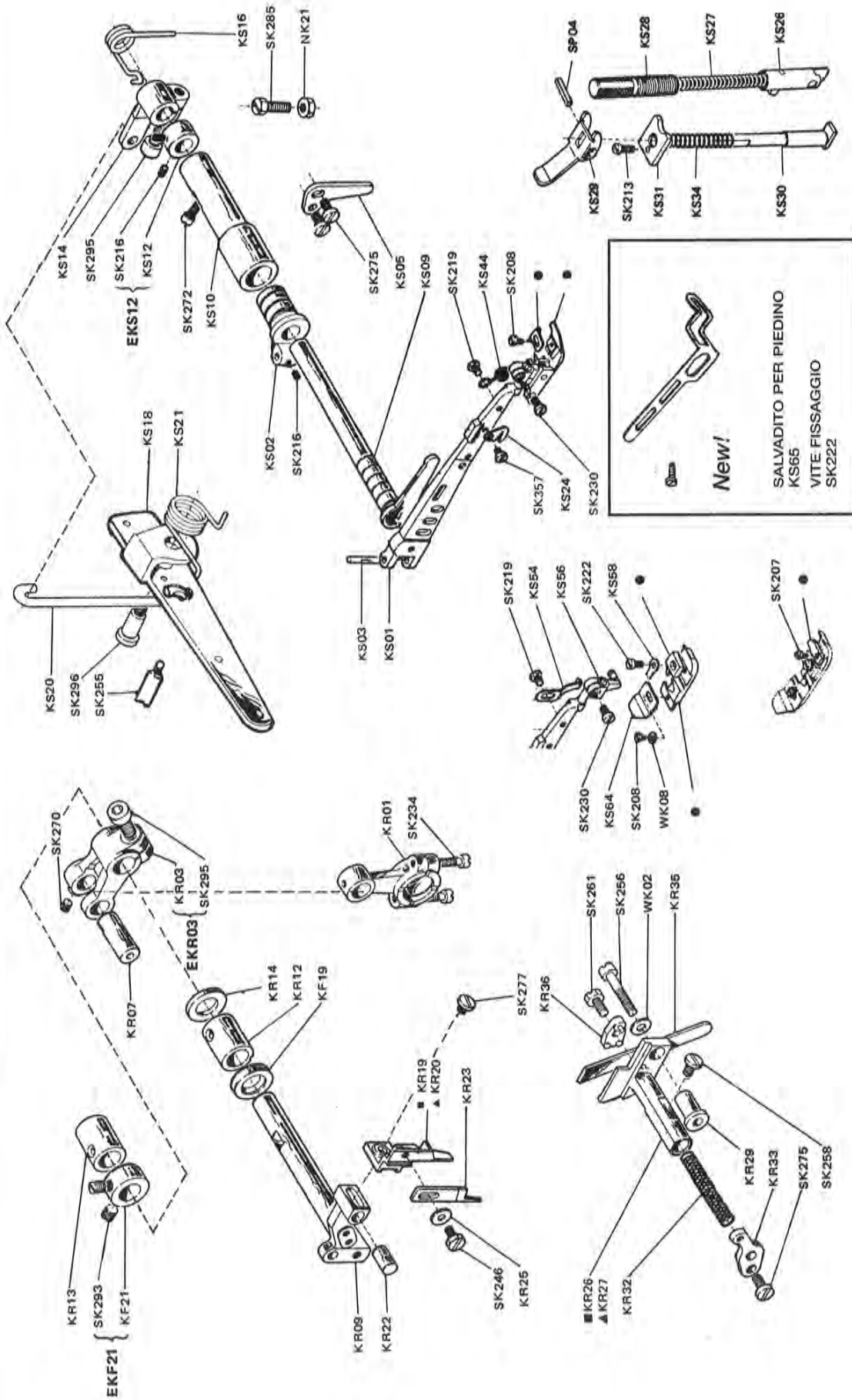
③ TF42 FOR 516X1.
 ④ TF22 FOR 516X1.

KJ51, KL30 ARE LISTED IN KC KD GROUP

REMARK: ▲ PARTS FOR 3, 4 THREAD MACHINE.
 ■ PARTS FOR 5 THREAD MACHINE.

● PARTS NUMBER IS LISTED IN CONVERSION CHART.
 ★ PARTS CAN ONLY BE SUPPLIED PER GROUP.

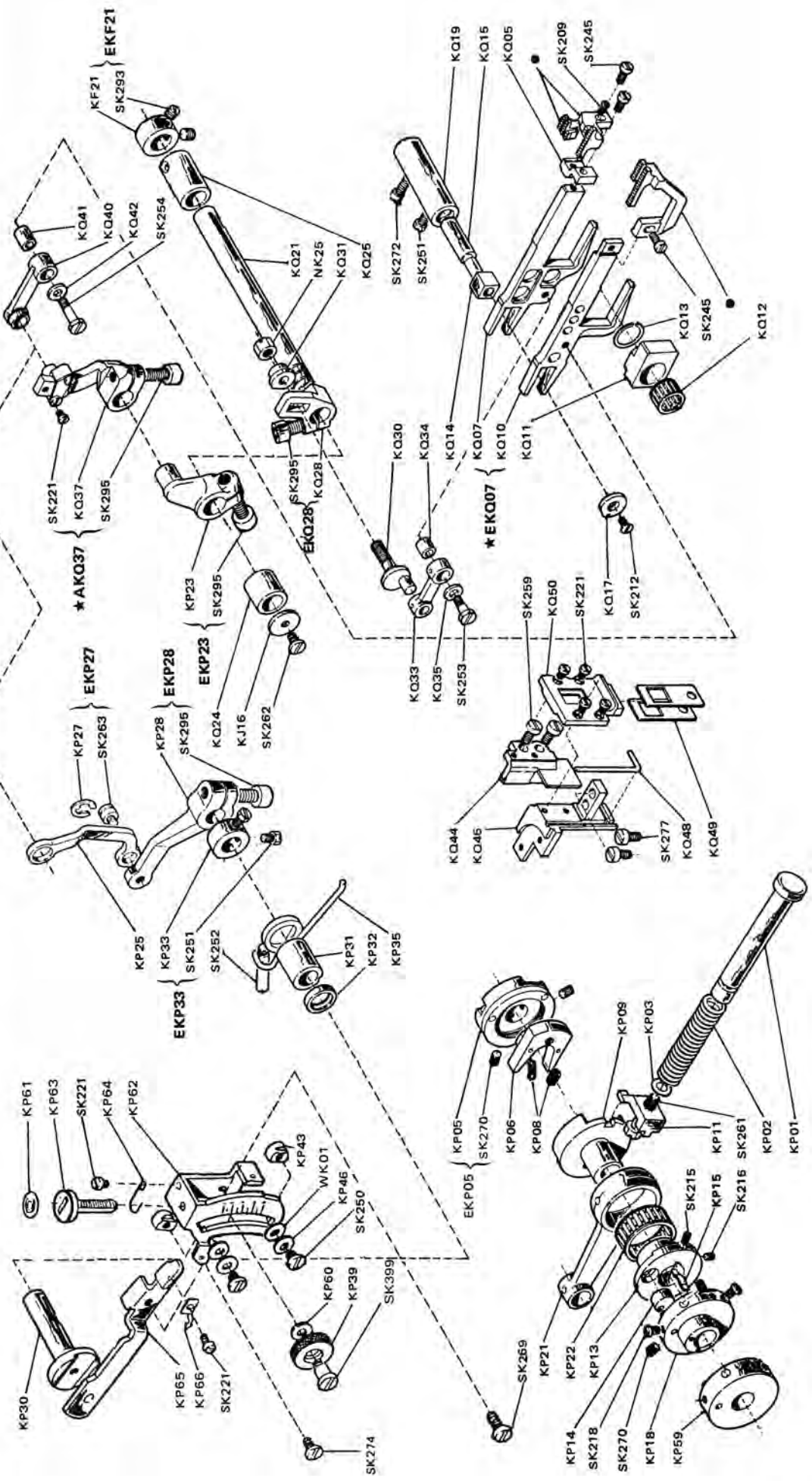
PARTS LIST FOR KR KS GROUP



REMARK: ▲ PARTS FOR 3, 4 THREAD MACHINE.
 ■ PARTS FOR 5 THREAD MACHINE.

● PARTS NUMBER IS LISTED IN CONVERSION CHART.
 ★ PARTS CAN ONLY BE SUPPLIED PER GROUP.

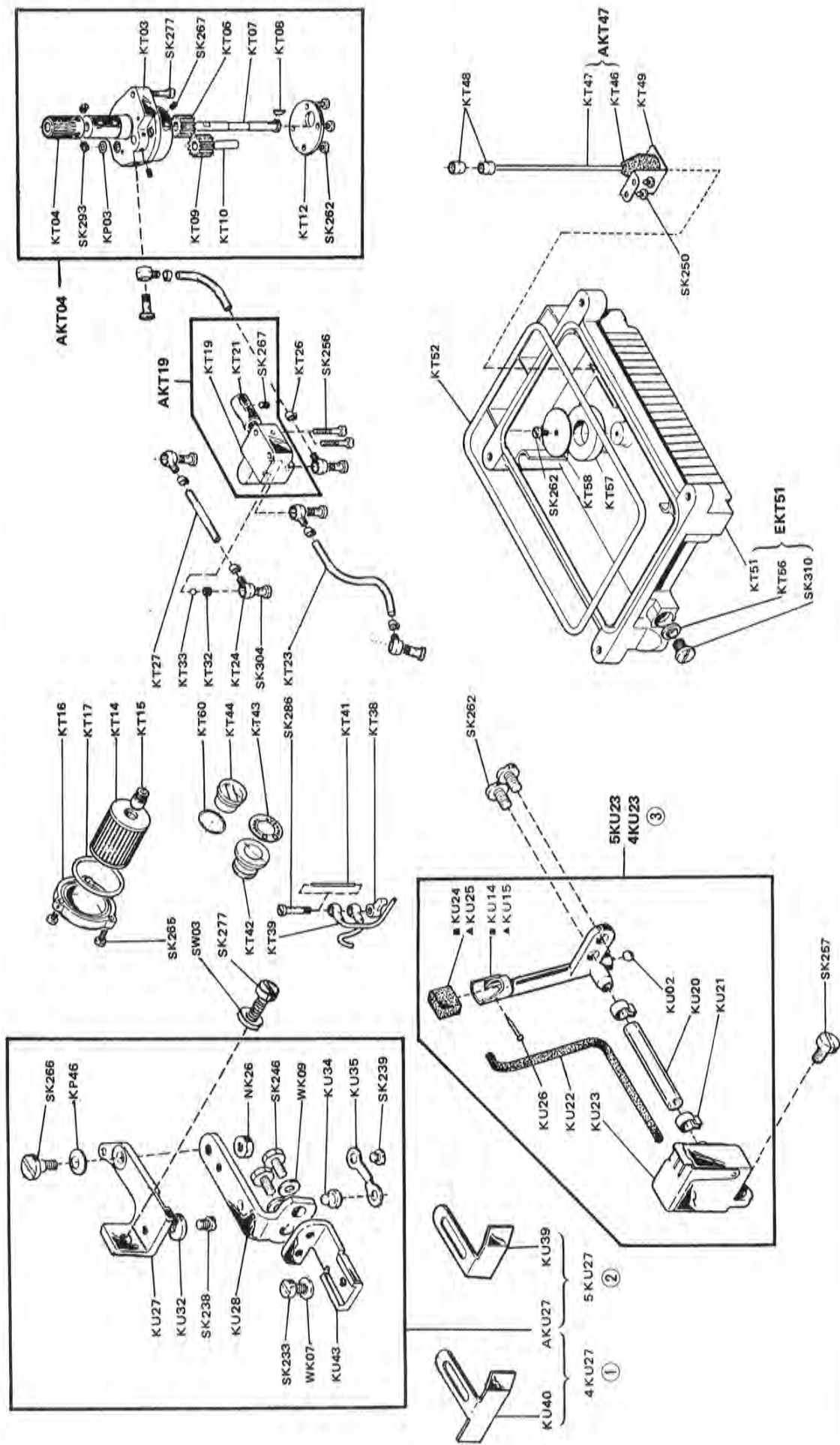
PARTS LIST FOR KP KO GROUP



REMARK: ▲ PARTS FOR 3, 4 THREAD MACHINE.
 ■ PARTS FOR 5 THREAD MACHINE.

● PARTS NUMBER IS LISTED IN CONVERSION CHART.
 ★ PARTS CAN ONLY BE SUPPLIED PER GROUP.

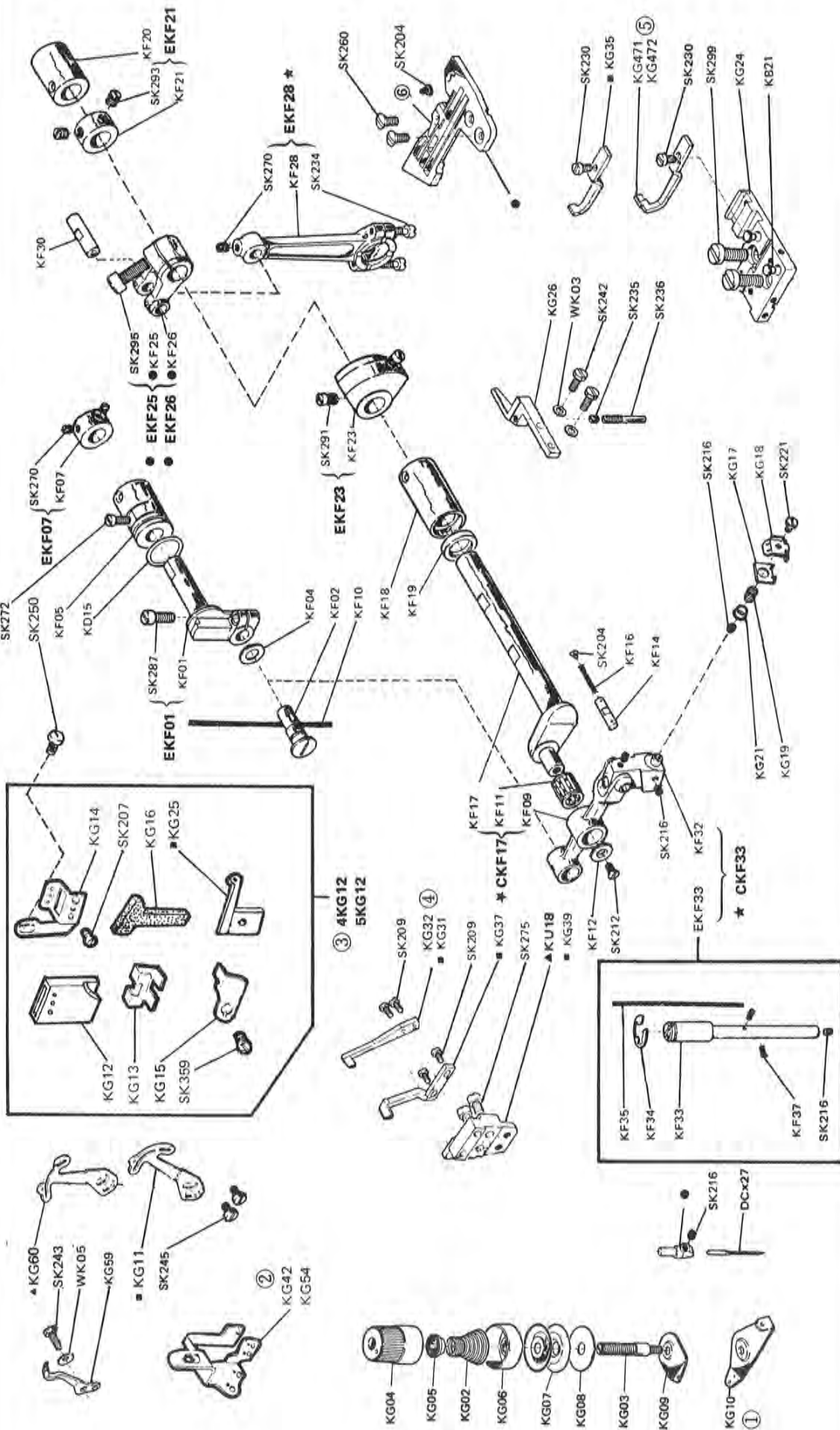
PARTS LIST FOR KT KU GROUP



Special description: ① 4KU27 FOR 4 THREAD. ② 5KU27 FOR 5 THREAD. ③ 4KU23 FOR 4 THREAD. ④ 5KU23 FOR 5 THREAD.

REMARK: ▲ PARTS FOR 3,4 THREAD MACHINE. ■ PARTS FOR 5 THREAD MACHINE. ● PARTS NUMBER IS LISTED IN CONVERSION CHART. ★ PARTS CAN ONLY BE SUPPLIED PER GROUP.

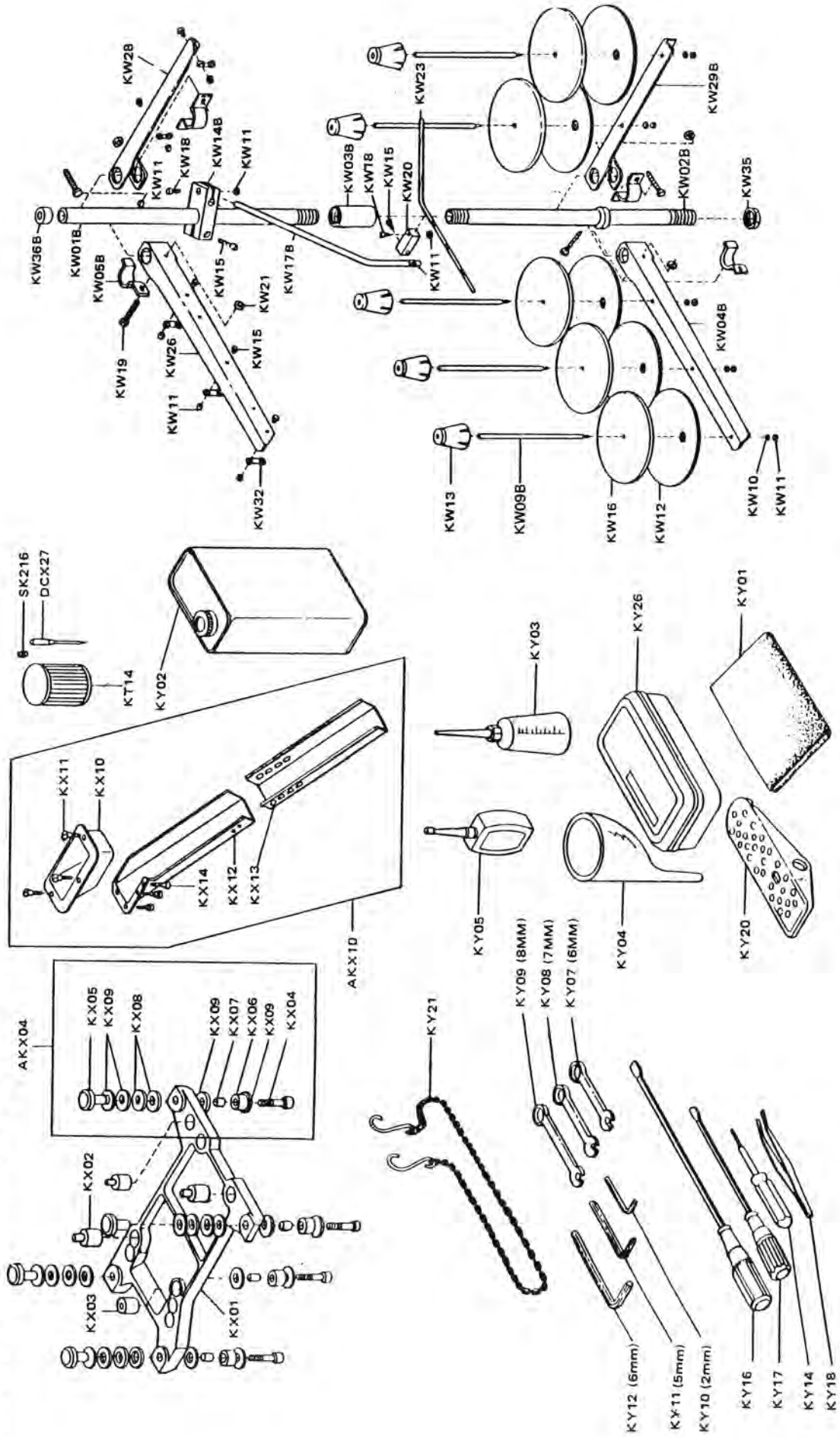
PARTS LIST FOR KF KG GROUP



Special description: ① KG10 FOR 4, 5 THREAD. ② KG42 FOR 2, 3, 5 THREAD. ③ 4KG12 FOR 3,4 THREAD. ④ KG12 FOR 5 THREAD. ⑤ KG471 FOR 3 THREAD. ⑥ KG472 FOR 4 THREAD. ⑦ KG54 FOR 4, 6 THREAD. ⑧ KG32 FOR 6 THREAD. ⑨ NEEDLE PLATE TONGUE NPT05 – 5mm NPT03 – 3mm NPT06 – 6mm NPT04 – 4mm

REMARK: ▲ PARTS FOR 3, 4 THREAD MACHINE. ● PARTS NUMBER IS LISTED IN CONVERSION CHART.
 ■ PARTS FOR 5 THREAD MACHINE. ★ PARTS CAN ONLY BE SUPPLIED PER GROUP.

PARTS LIST FOR KW KX KY GROUP

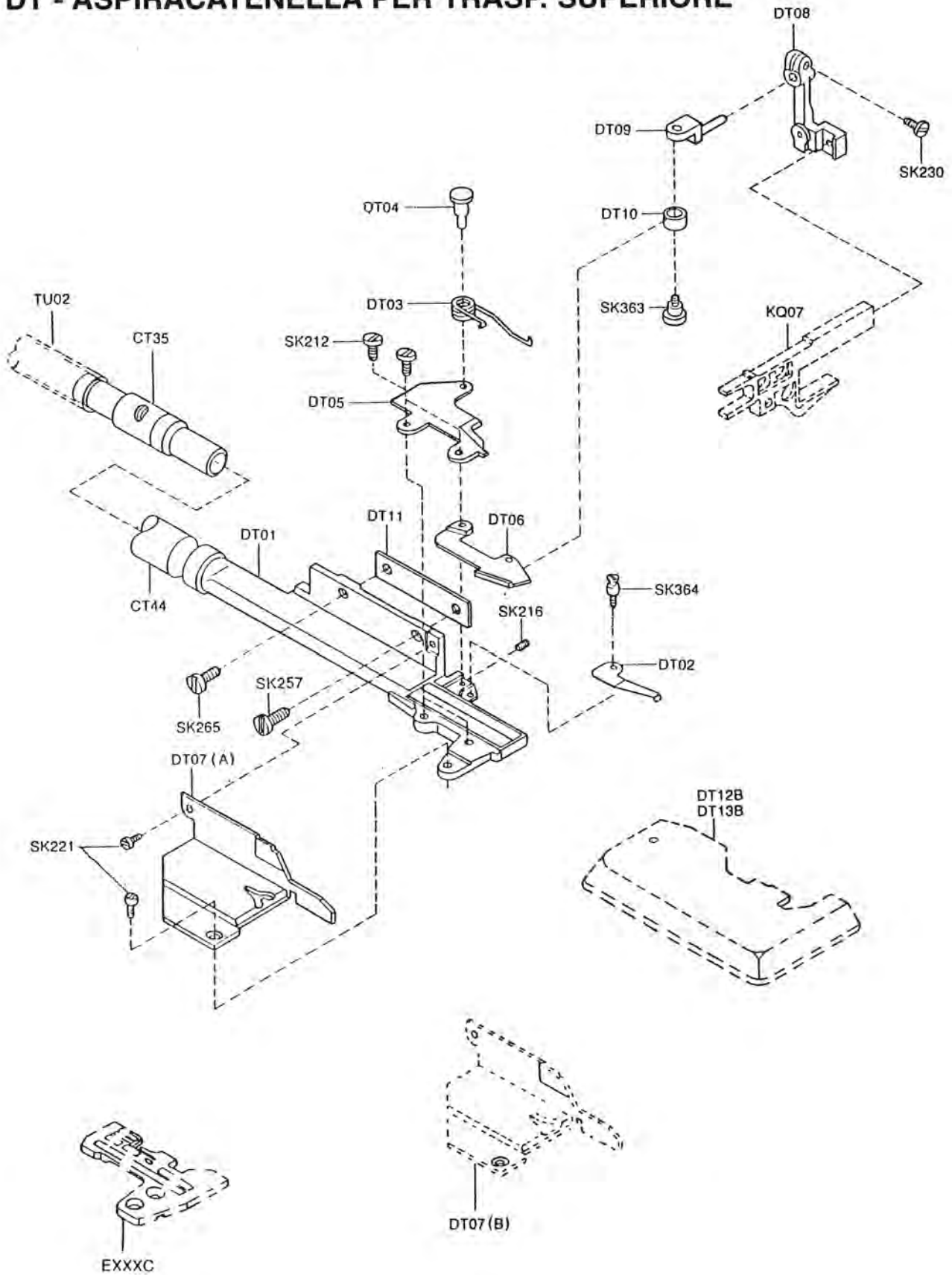


REMARK:
 ▲ PARTS FOR 3,4 THREAD MACHINE.
 ■ PARTS FOR 5 THREAD MACHINE.
 ● PARTS NUMBER IS LISTED IN CONVERSION CHART.
 ✱ PARTS CAN ONLY BE SUPPLIED PER GROUP.

Special description:
 3KW01 — Thread Stand Complete for 3 Thread
 4KW01 — Thread Stand Complete for 4, 5 Thread
 6KW01 — Thread Stand Complete for 6 Thread

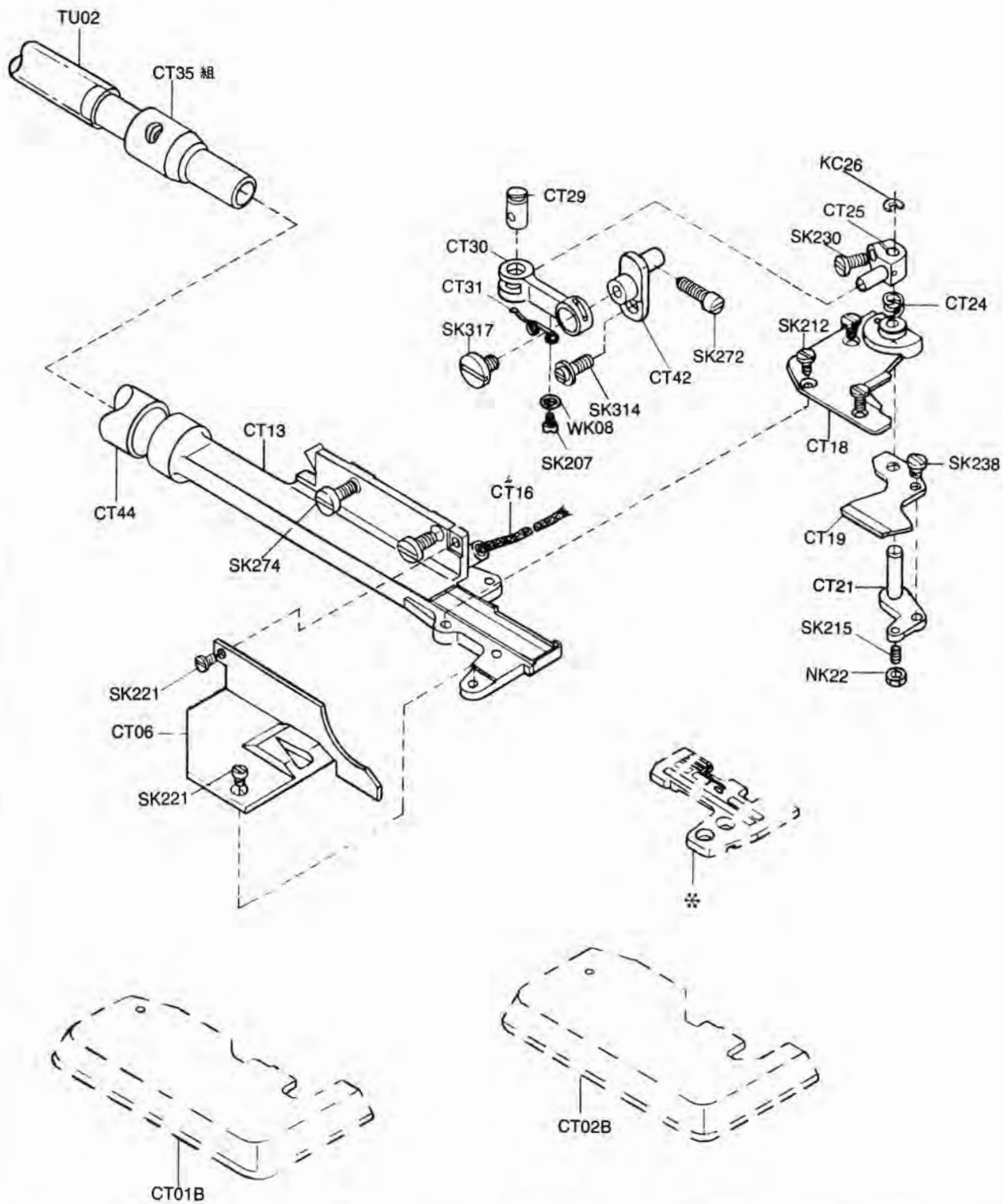
RICAMBI SIRUBA

DT - ASPIRACATENELLA PER TRASP. SUPERIORE



RICAMBI SIRUBA

CT - GRUPPO ASPIRACATENELLA ORIZZONTALE

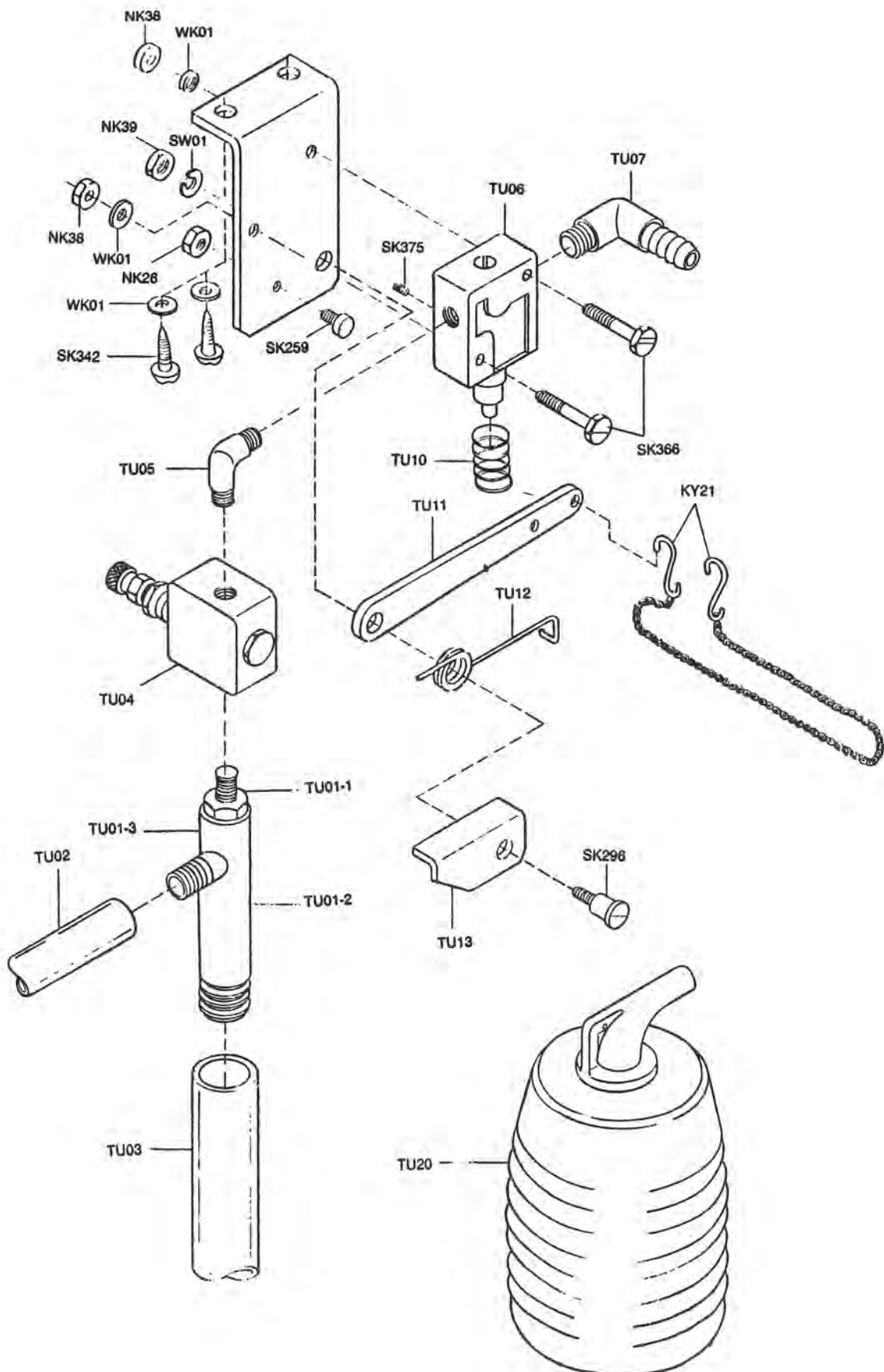


COMPATIBILI: MAUSER - PEGASUS/WG - NECCHI 615/800 - GOLDEX - CONSEW

SINGER 861/862/872 - RIMOLDI 427/429

Cat. No. 03 - CT02/July 1987

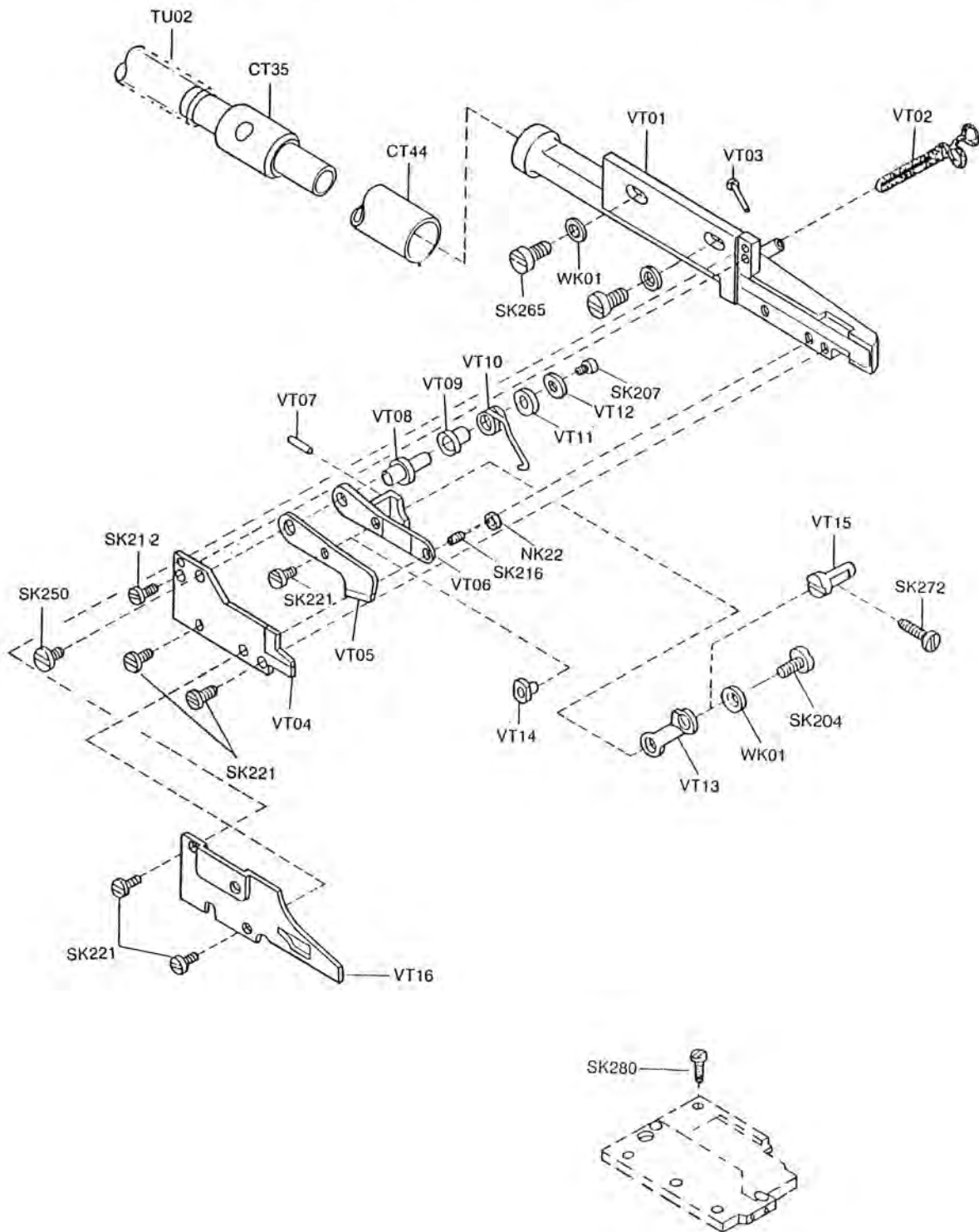
RICAMBI SIRUBA



RICAMBI SIRUBA

VT PNEUMATIC CHAIN CUTTER

GRUPPO ASPIRACATENELLA VERTICALE



COMPATIBILI: MAUSER - PEGASUS/WG - NECCHI 615/800 - GOLDEX - CONSEW

SINGER 861/862/872 - RIMOLDI 427/429

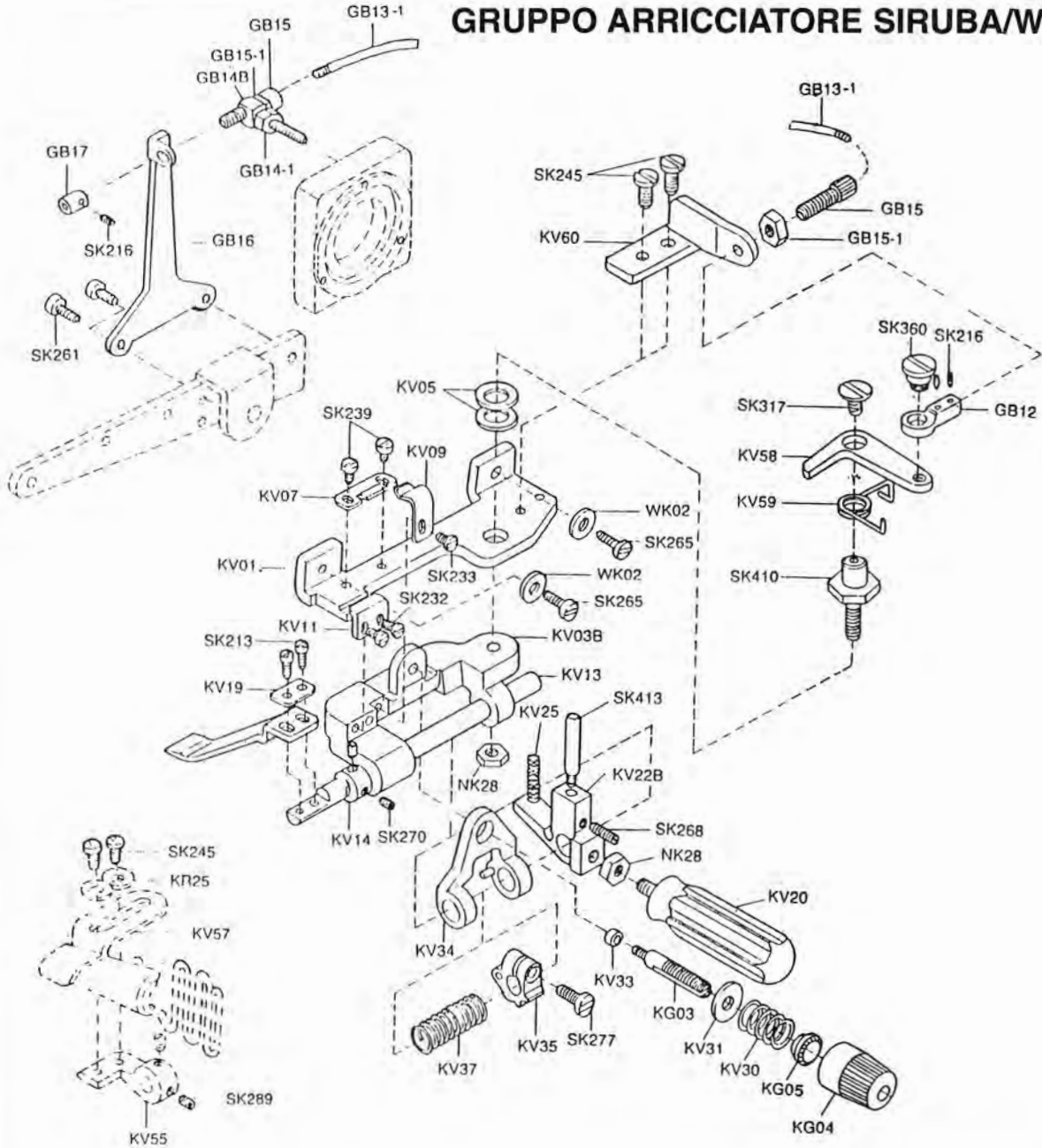
RICAMBI SIRUBA



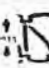




COMPATIBILI: MAUSER - PEGASUS/WG - NECCHI 615/800 - GOLDEX - CONSEW

SINGER 861/862/872 - RIMOLDI 427/429

GA GATHERING DEVICE

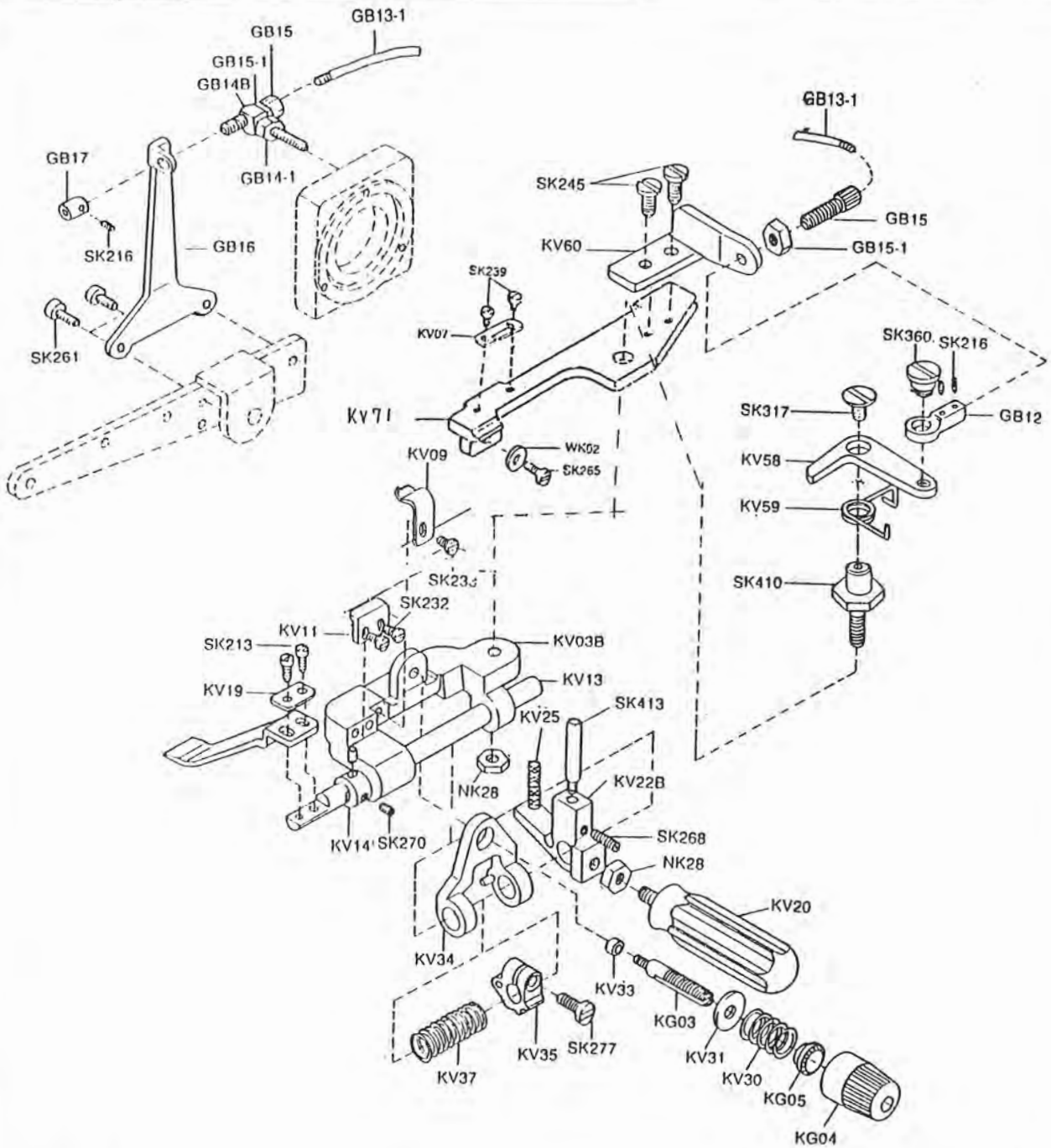
GRUPPO ARRICCIATORE SIRUBA/WG



							
3		4	E800	H959	(D996)	P136	KV16
4	2	4	E809		(D958 + D095)		
5	2	5	E810	H957	D002 (D008 + D502)	P508 + KS42B + SK210	KV17
	3	3	E980				
	3	5	E982				
	5	5	E986		D003 (D956 + D502)	P509 + KS42B + SK210	

RICAMBI SIRUBA

GH GATHERING DEVICE FOR 800 SERIES



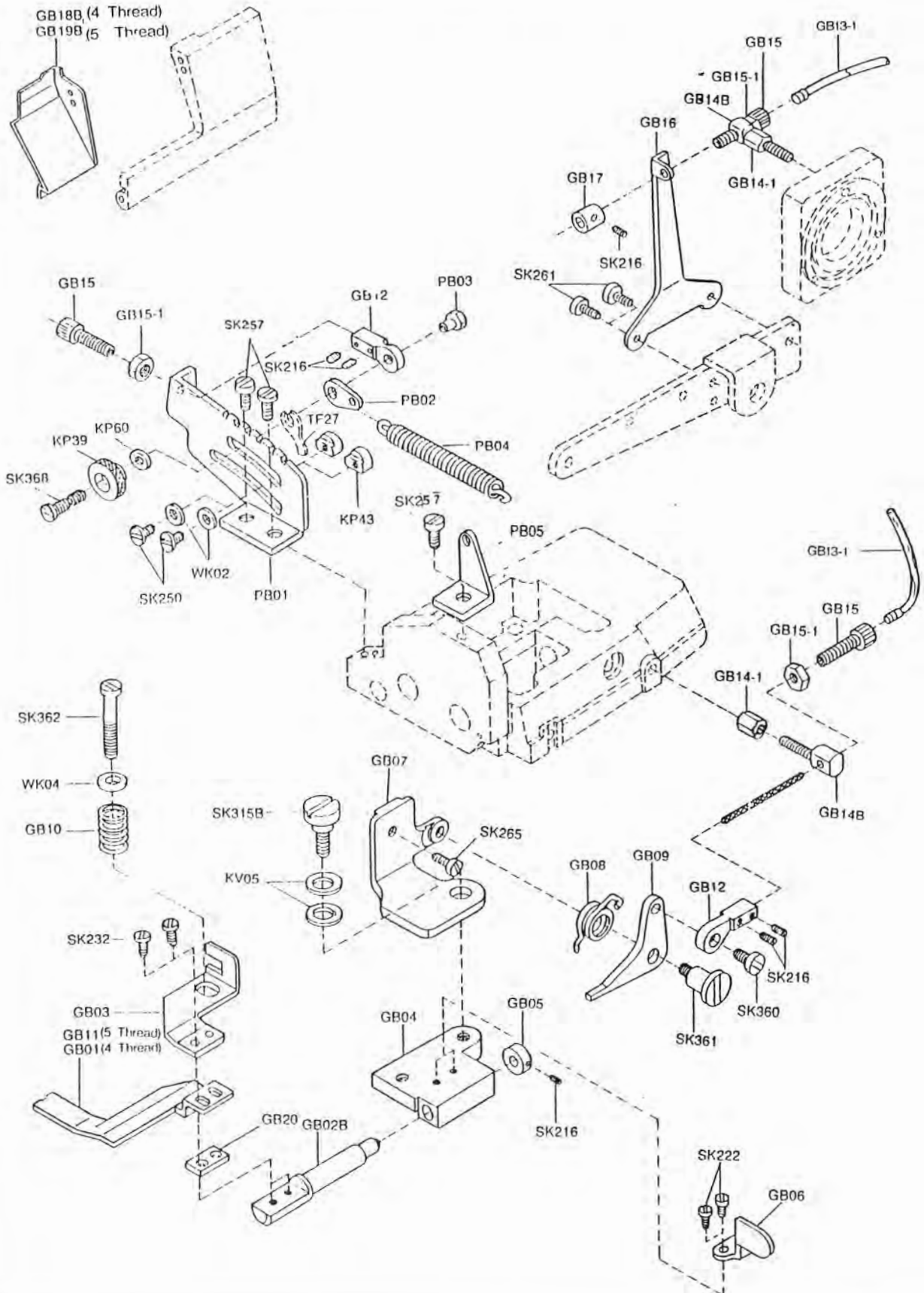
3		4	E800	H959	(D996)	P136	'KV16
4	2	4	E809		(D958 + D095)		
5	2	5	E810	H957	D002 (D008 + D502)	P508 + KS42B + SK210	'KV17
	3	3	E980		D003 (D956 + D502)		
	5	5	E986			P509 + KS42B + SK210	

RICAMBI SIRUBA

COMPATIBILI: MAUSER - PEGASUS/WG - NECCHI 615/800 - GOLDEX - CONSEW

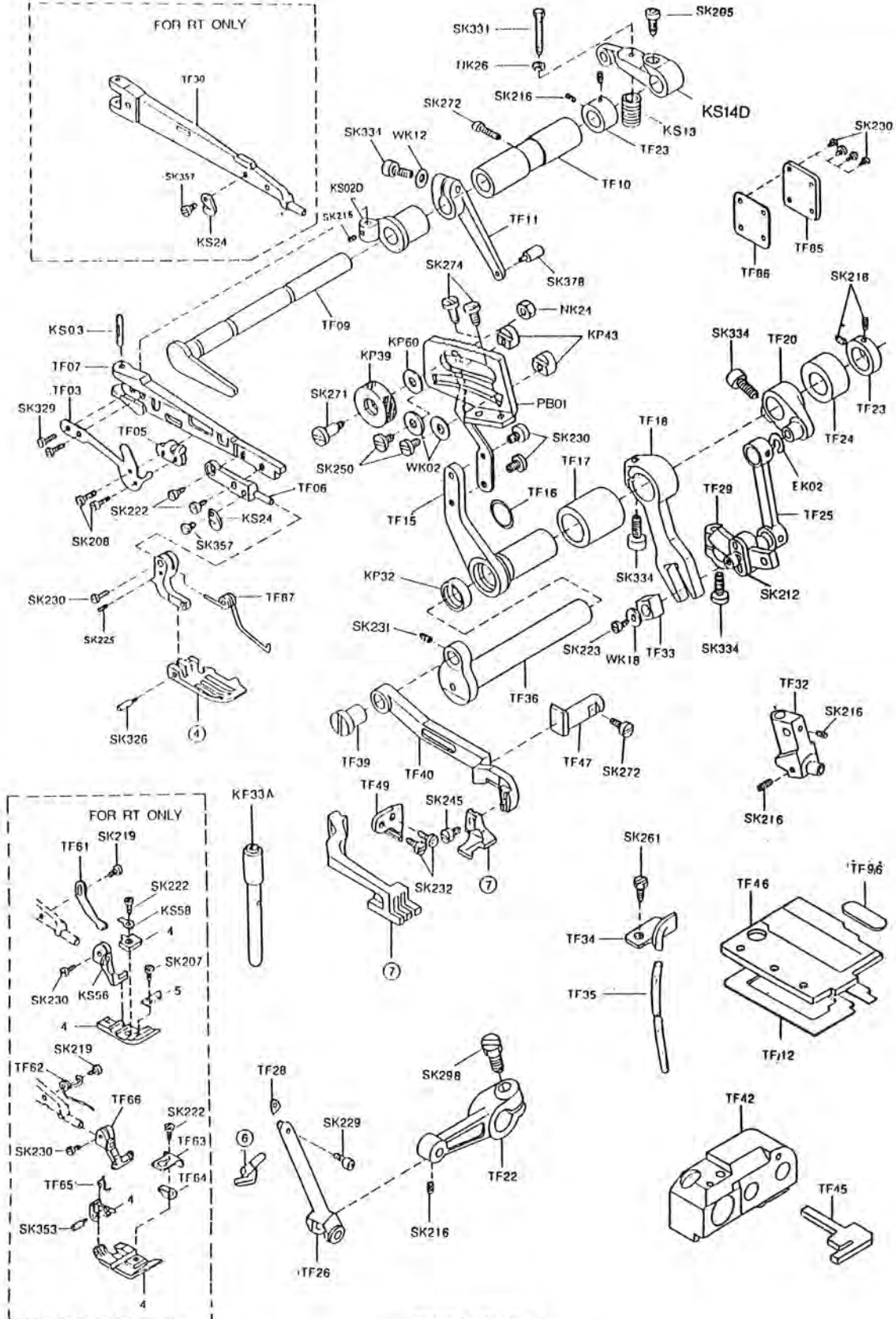
SINGER 861/862/872 - RIMOLDI 427/429

GB - ARRICCIATORE PER TRASPORTO SUPERIORE




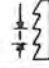







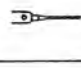

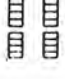



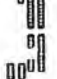
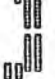
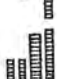


RICAMBI SIRUBA

GRUPPO TRASPORTO SUPERIORE

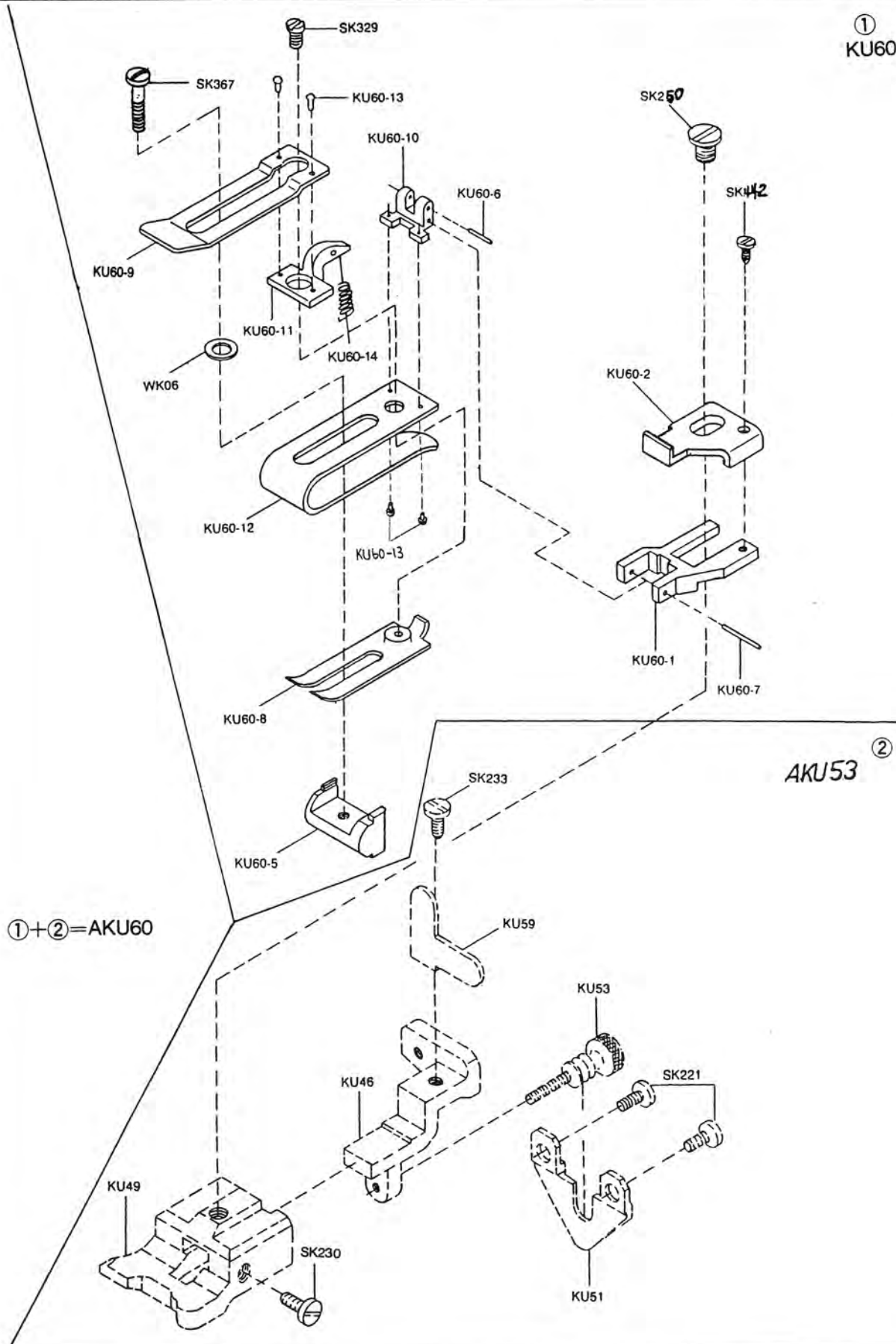


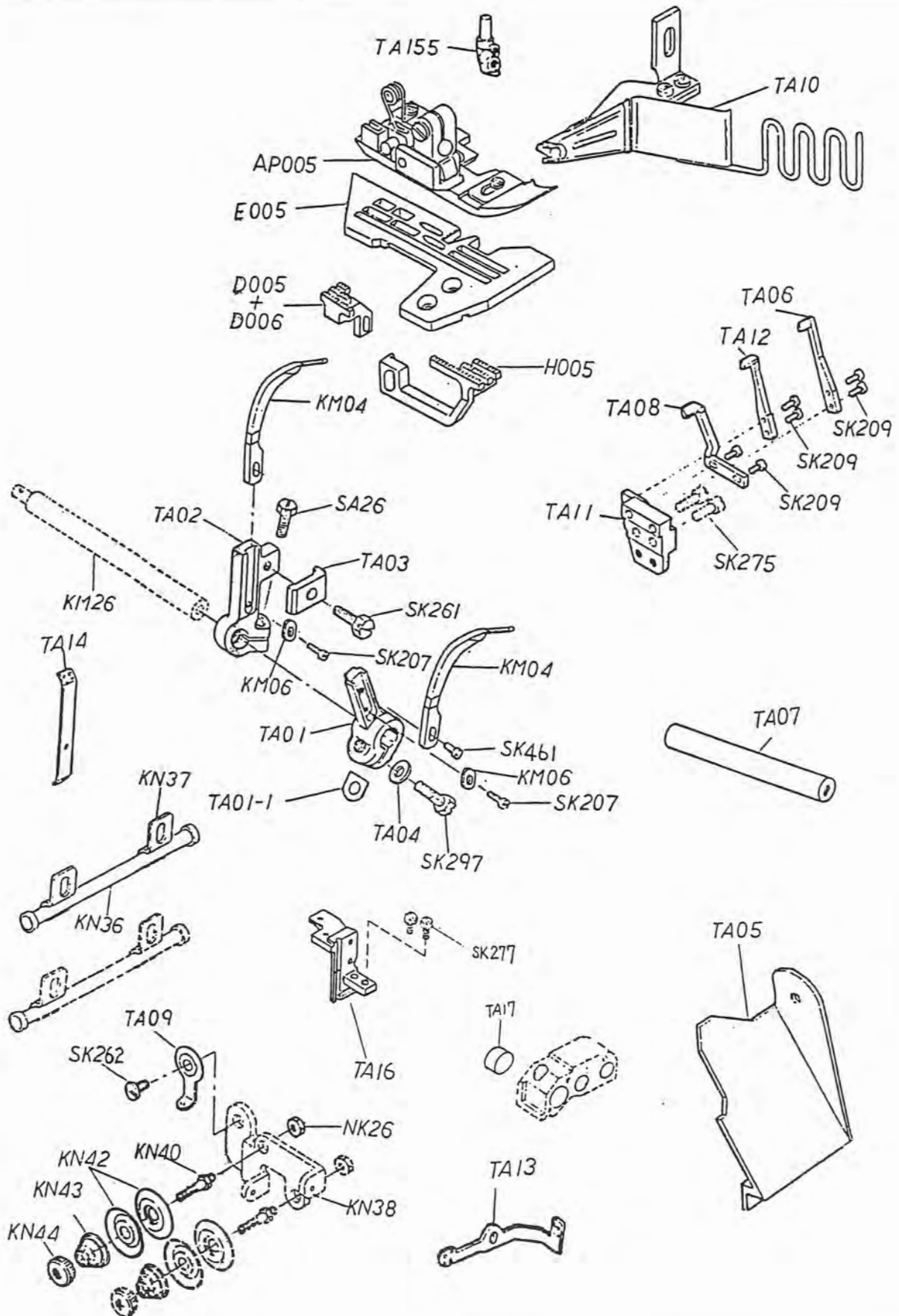
SPARE PARTS CONVERSION CHART FOR TOP FEED MACHINE

MODEL	Gauge NG SM														
747FT-514M2-24	24	E809	(D575) D440 + D095	H445	1.6	P454	LP38	KG142	D453	KF26 Hi	KJ11B	KJ12	#9	6.0	
514H4-24	24	E809	(D575) D440 + D095	H445	1.6	P454	LP38	KG142	D453	KF26 Hi	KJ11B	KJ12	#9	6.0	
757FT-516M2-35	35	E861	(D581) D489 + D502	H497 H500	1.6	P466 P463	LP38	KG153 KG155	D469	KF26 Hi	KJ11B	KJ12	#14	6.0	
516H4-56	35 56	E861 E866	(D581) D489 + D502	H498 H500	2.5	P466 P463	LP38	KG153 KG155	D469	KF26 Hi	KJ11B	KJ12	#14	6.0	
747RT-514M2-24	24	E809	(D575) D440 + D095	H445	1.6	P068/F875	LP38	KG142	D070	KF26 Hi	KJ09B	KJ12	#9	6.0	
757RT-516M2-35	35	E169	(D065) D066 + D067	H497 H500	1.6	P053 P056	LP38	KG153 KG155	D064	KF26 Hi	KJ11B	KJ12	#14	6.0	

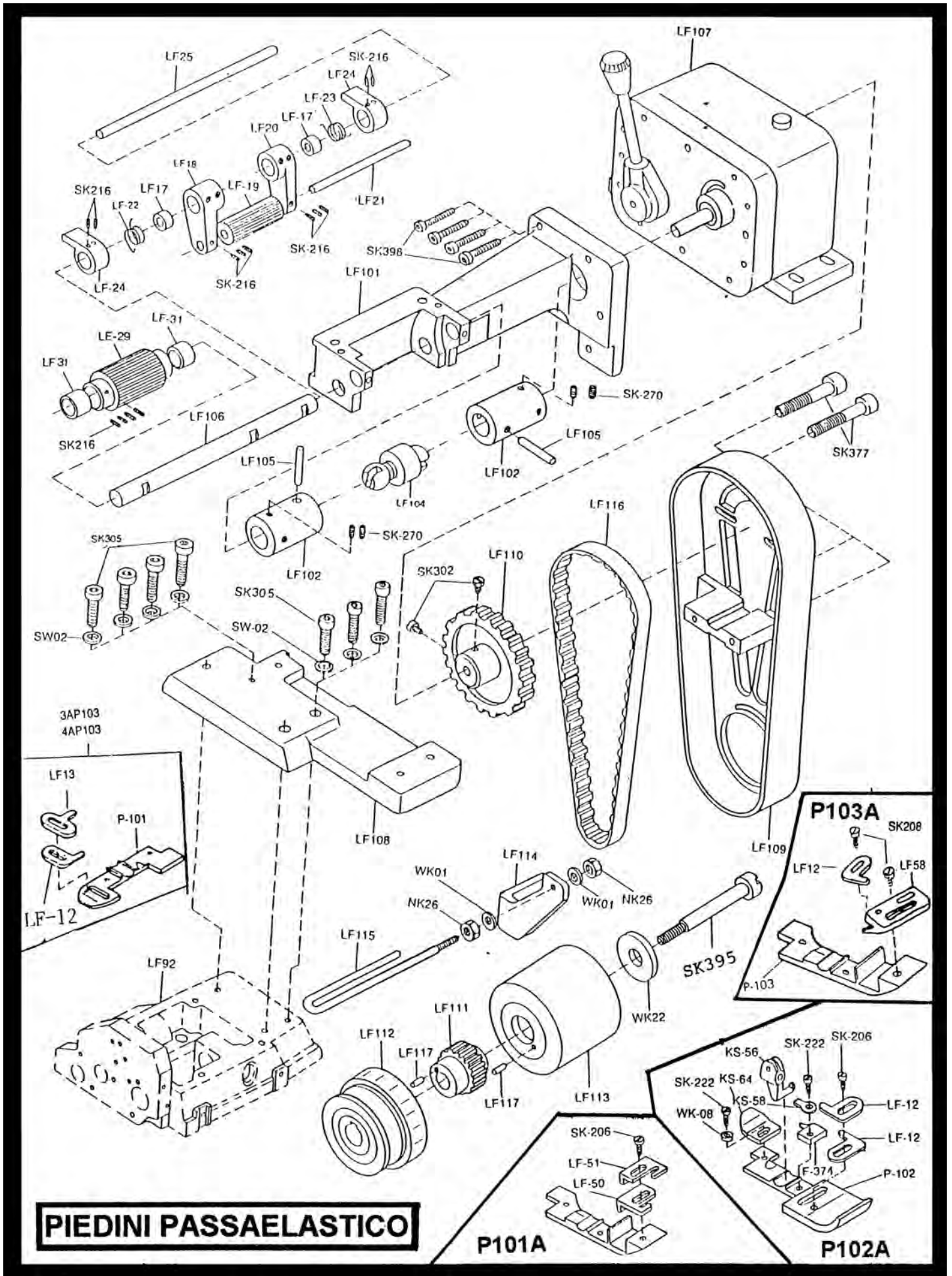
**COMPATIBILI : MAUSER - PEGASUSWG - NECCHI 615/800 - GOLDEX - CONSEW
SINGER 861/862/872 - RIMOLDI 427/429**

①
KU60





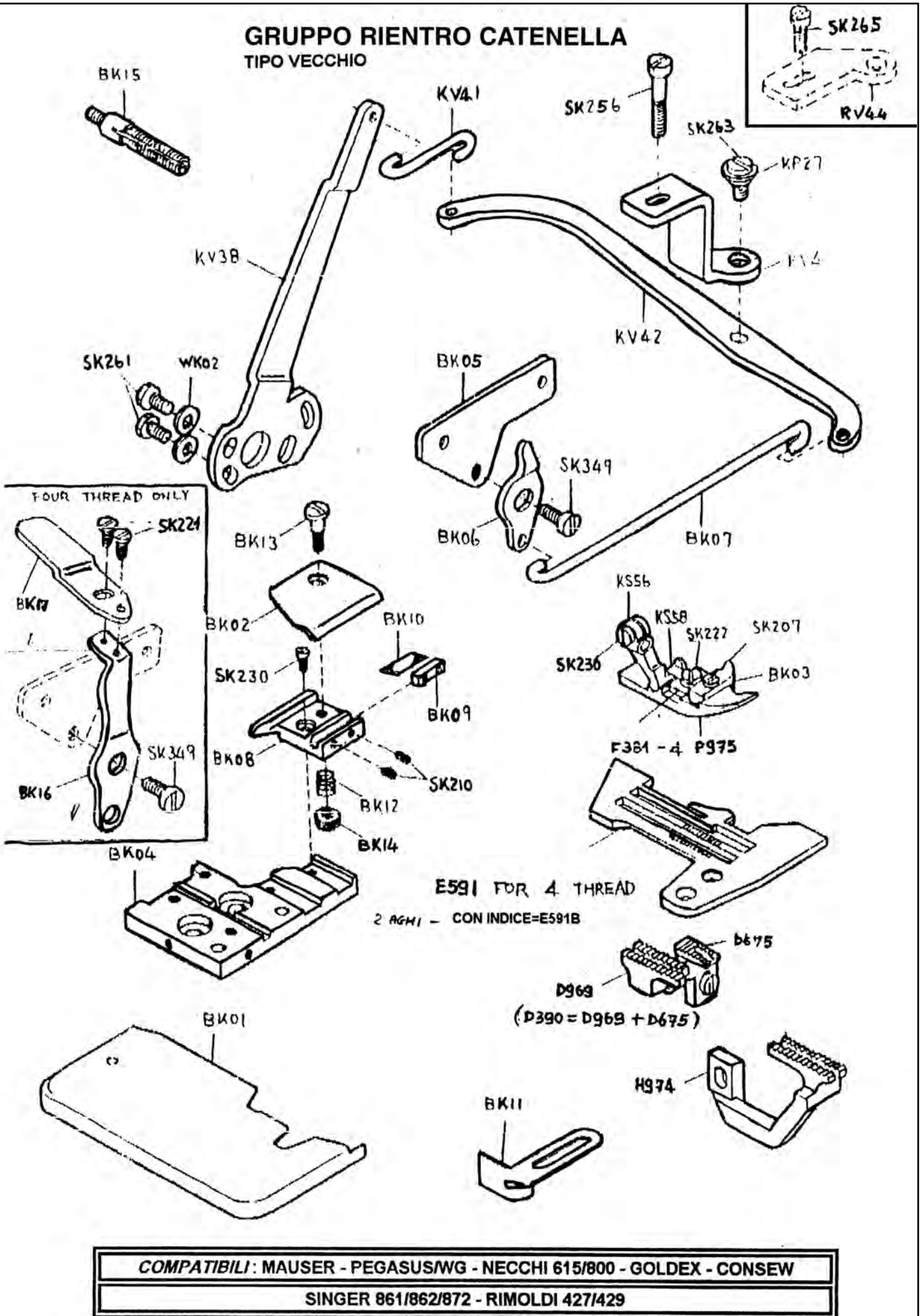
RICAMBI SIRUBA



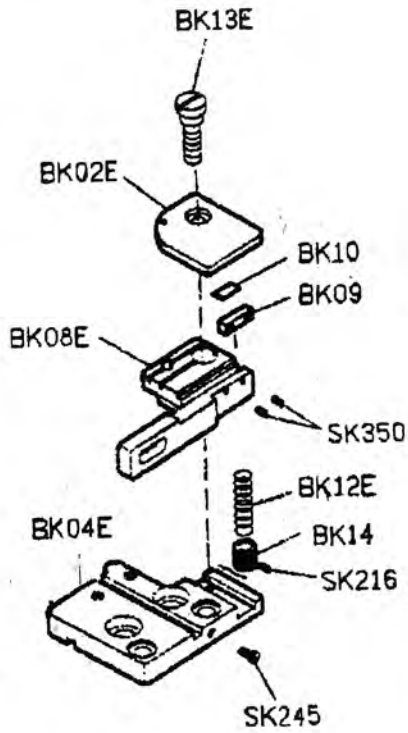
PIEDINI PASSAELASTICO

RICAMBI SIRUBA

GRUPPO RIENTRO CATENELLA TIPO VECCHIO

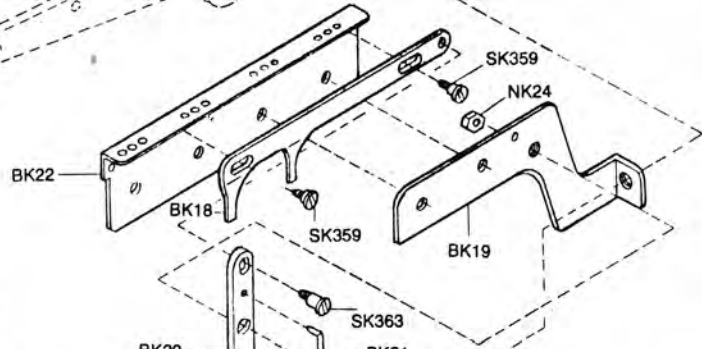
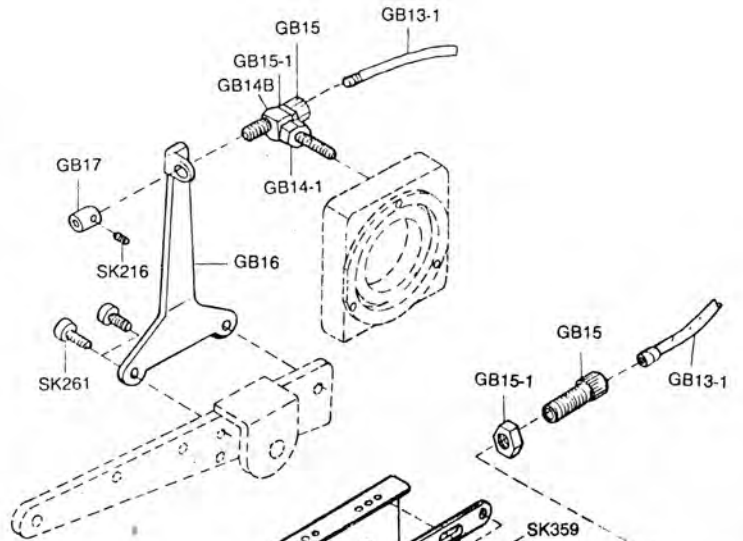
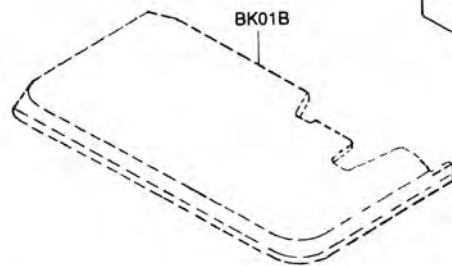
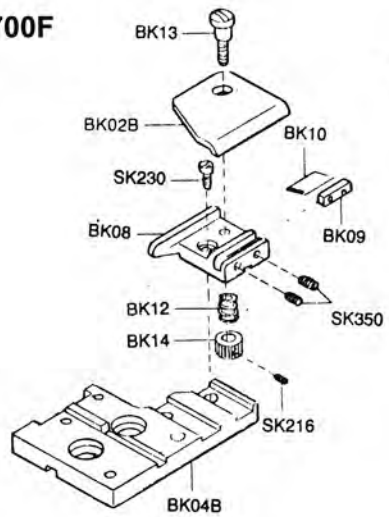


RICAMBI SIRUBA

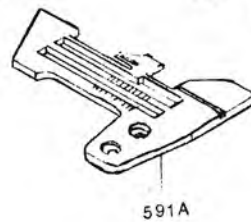
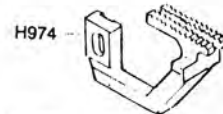
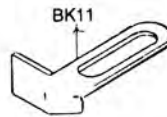


**Versione per 700E
BK08E-A**

**Versione per 700F
BK08F-A
+ BK04F-A**



(三 4m/m E589
5m/m E590)
(四 E591)



RICAMBI SIRUBA

TABELLE DI CONVERSIONE

Le pagine precedenti riportano i ricambi comuni a tutte le versioni di tagliacuci.

Le tabelle seguenti riportano invece tutte le trasformazioni relativamente alle classi e alle versioni trattate, Vi sarà quindi facile identificare il modello di vostro interesse.

Ricordiamo che per le versioni W&G è molto spesso sufficiente eliminare i primi tre numeri per avere il corrispondente.

es: W&G 210810 = SIRUBA E810

W&G 210575 = SIRUBA D575

(GOLDEX)

SEWING TYPE -SPEC	GAUGE NG SM	NEEDLE PLATE ①	(FEED COMP.) MAIN + AUX. ②	DIFF. FEED DOG ③	SHAPE	PITCH	PRESSER FOOT COMP ④	FABRIC GUARD ⑤	UPPER LOOPER ⑥	SPREA- DER ⑦	NEEDLE HOLDER ⑧	NEEDLE DRIVE CRANK ⑨	UPPER LOOPER DRIVE CRANK ⑩
503F1 - 04	4	E784	(D569) D438 + D674	H442		1.6	P152E/ F155C			LP21	KG131	KF25 STD	KJ09
504M1 - 15	1.5	E934	(D290) D438 + D912	H442		1.6	P152E F525	KS62	LP22		KG131	KF25 STD	KJ09
504M2 - 04	4	E800	(D574) D440 + D674	H445		1.6	P210C/ F171	KS62	LP22		KG131	KF25 STD	KJ09
504M3 - 04 05	4 5	E796 E797	(D574) D440 + D674	H445		1.6	P23C/ F371	KS62	LP22		KG131	KF25 STD	KJ09
504H4 - 04	4	E800	(D996) D958 + D095	H959		1.6	P136		LP24		KG131	KF26 GA, HI	KJ11
505F1 - 03 04	3 4	E783 E784	(D569) D438 + D674	H442		1.6	P152E/ F155C		LP22		KG131	KF25 STD	KJ09
512M1 - 24 25	2 4 2 5	E809 E810	(D575) D440 + D095	H445		1.6	P25J/ F374	KS62	LP34		KG142	KF26 HI	KJ11
512M2 - 36	3 6	E834	(D575) D440 + D095	H447		1.6	P799/F378	KS62	LP34		KG143	KF26 HI	KJ11
514M2 - 24 25	2 4 2 5	E809 E810	(D575) D440 + D095	H445		1.6	P25J/F503 P253, F374	KS62	LP24		KG142	KF26 HI	KJ11
514M4 - 23 24	2 3 2 4	E804 E805	(D574) D440 + D674	H445		1.6	P203C/ F503	KS62	LP24		KG142	KF25 STD	KJ11
514H4 - 24 25	2 4 2 5	E809 E810	(D996) D958 + D095	H959		1.6	P-36		LP24		KG142	KF26 GA, HI	KJ11
516L1 - 33 35	3 3 3 5	E837 E839	(D579) D487 + D060	H492		1.6	P504	KS42	LP22	(LP21)	KG153	KF25 STD	KJ11
516M1 - 33 35 55	2 4 3 3 3 5 5 5	E842 E845 E847 E851	(D581) D489 + D502	H494		1.6	P500 P501 P501 P502	KS42	LP24	(LP23)	KG152 KG153 KG153 KG155	KF25 STD	KJ11
516H1 - 33 35 55	2 4 3 3 3 5 5 5	E842 E845 E847 E851	(D582) D490 + D502	H495		2.5	P500 P501 P501 P502	KS42	LP24	(LP23)	KG152 KG153 KG153 KG155	KF26 HI	KJ11
516H4 - 35 55	3 3 3 5 5 5	E980 E982 E986	(D002) D008 + D502 (D002) D008 + D502 (D003) D958 + D502	H957		1.6	P508 P508 P509	KS42B	LP24	(LP23)	KG153 KG153 KG155	KF25 GA, STD	KJ11
516X1 - 55 56	5 5 5 6	E853 E854	(D582) D490 + D502	H495		2.5	P555	KS47	LP24	(LP23)	KG155	KF26 HI	KJ11

RICAMBI SIRUBA




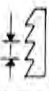




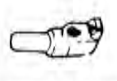




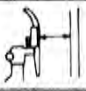
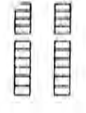
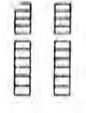
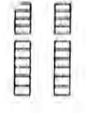
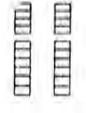
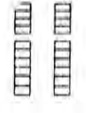
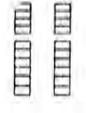
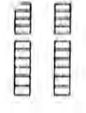
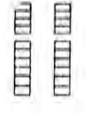
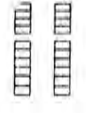
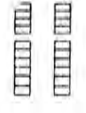
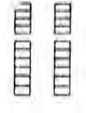
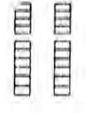
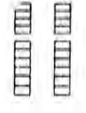
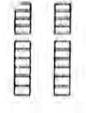
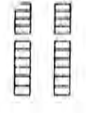
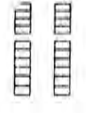
(SINGER)

MODEL	GAUGE NG SM	NEEDLE PLATE ①	(FEED COMP.) MAIN + AUX. ②	DIFF. FEED DOG ③	SHAPE	PITCH	PRESSER FOOT COMP ④	FABRIC GUARD ⑤	UPPER LOOPER ⑥	SPREA- DER ⑦	NEEDLE HOLDER ⑧	NEEDLE DRIVE CRANK ⑨	UPPER LOOPER DRIVE CRANK ⑩
861A-001-1	1.5	E834	(D290) D438 + D912	H442		1.6	P152E F5/5	KS62	LP22		KG131	KF25 STD	KJ09
861A-001-4	4	E800	(D574) D440 + D674	H445		1.6	P230C/ F371	KS62	LP22		KG131	KF25 STD	KJ09
861A-001-5	5	E797	(D574) D440 + D674	H445		1.6	P230C/ F371	KS62	LP22		KG131	KF25 STD	KJ09
861A-006-4BK	4	E589	(D390) D675 + D969	H974		1.6	AP9/5	KS62	LP22		KG131	KF25 STD	KJ09
861A-003-4	4	E784	(D569) D438 + D674	H442		1.6	P152E/ F15C		LP22		KG131	KF25 STD	KJ09
862A-023-5	2 5	E810	(D575) D440 + D095	H445		1.6	P253/ F374	KS62	LP34		KG142	KF26 HI	KJ11
862A-021-4 5	2 4 2 5	E809 E810	(D575) D440 + D095	H445		1.6	P253/ F503 P253/ F374	KS62	LP24		KG142	KF26 HI	KJ11
862A-022-3BK	2 3	E591	(D390) D675 + D969	H974		1.6	AP9/6	KS62	LP24		KG142	KF26 HI	KJ11
862A-033-4	2 4	E809	(D996) D958 + D095	H959		1.6	P135		LP24		KG142	KF26 GA, HI	KJ11
872A-061-4 063-5	2 4 3 5	E834 E839	(D579) D487 + D060	H492		1.6	P504	KS42	LP22	(LP21)	KG152 KG153	KF25 STD	KJ11
872A-083-5	5 5	E851	(D581) D489 + D502	H494		1.6	P502	KS42	LP24	(LP23)	KG155	KF25 STD	KJ11
872A-065-5	5 5	E851	(D582) D490 + D502	H495		2.5	P502	KS42	LP24	(LP23)	KG155	KF26 HI	KJ11
872A-069-5 872A-071-5	3 5 5 5	E982 E986	(D002) D008 + D502 (D003) D490 + D502	H957		1.6	P503 P503	KS42B	LP24	(LP23)	KG153 KG155	KF25 GA, STD	KJ11
872A-092-6	5 6	E854	(D582) D490 + D502	H495		2.5	P955	KS47	LP24	(LP23)	KG155	KF26 HI	KJ11












(RIMOLDI)

Sottoclasse Unterklasse Subclass Sous-classe Subclass													
427-00-1CD-07	4	E796	(D574)	H445		1.6	P230C/ F371	KS62	LP22		KG131	KG471	KF25
427-00-1CD-01	5	E797	D440 + D674										
427-10-1CD-06	3 (4)	E783 (E784)	(D569) D438 + D674	H442		1.6	P152E/ F155C		LP22	(LP21)	KG131	KG471	KF25
427-00-2MD-17	2 5 (4)	E810 (E809)	(D575)	H445		1.6	P253/ F374	KS62	LP36		KG142	KG472	KF26
427-00-2MD-36	2 5 (4)	E810 (E809)	D440 + D095	H445		1.6	P253/ F374	KS62	LP26		KG142	KG472	KF26
427-00-2CD-48	2 3 (4)	E804 (E805)	(D574) D440 + D674	H445		1.6	P230C/ F503	KS62	LP26		KG142	KG472	KF25
429-00-2CD-01	3 3 (5)	E837 (E839)	(D579) D487 + D060	H492		1.6	P504	KS42	LP22	(LP21)	KG153	KG35	KF25
429-00-2CD-05	3 3 (5)	E845 (E847)	(D581) D489 + D502	H494		1.6	P501	KS42	LP24	(LP23)	KG153	KG35	KF25
429-00-2MD-10	5 5 (6)	E851 (E854)	(D582) D490 + D502	H495		1.6 2.5	P502	KS42	LP24	(LP23)	KG155	KG35	KF26
429-00-2MD-01	5 5 (6)	E853 (E854)	(D582) D490 + D502	H495		1.6 2.5	P955	KS47	LP38	(LP29)	KG157	KG35	KF26
429-22-2CD-03	3 3 (5)	E980 (E982)	(D002) D008 + D502	H957		1.6	P508	KS42B	LP24	(LP23)	KG153	KG35	KF25

SPARE PARTS CONVERSION CHART




MODEL	GAUGE NG SM															
503F1-04	4	E784	(D569) D438+D674	H442	1.6	P152 F155			(LP21)	KG131	KF25 STD	KJ09	KJ10	#9	5.5	
504M1-15	1.5	E934	(D290) D438+D912	H442	1.6	P152 F525	KS62	LP26		KG131	KF25 STD	KJ09	KJ10	#11	5.5	
504M2-04	4	E800	(D575) D440+D095	H445	1.6	P253 F371	KS62	LP26		KG131	KF25 STD	KJ09	KJ10	#9	5.5	
504M3-04	4	E796	(D574) D440+D674	H445	1.6	P230 F371	KS62	LP26		KG131	KF25 STD	KJ09	KJ10	#9	5.5	
504M5-04	5	E797	(D574) D440+D674	H445	1.6	P230 F371	KS62	LP26		KG131	KF25 STD	KJ09	KJ10	#9	5.5	
504M5-04	4	E589 E590	(D390) D675+D969	H974	1.6	P975 F380		LP26		KG131	KF25 STD	KJ11	KJ10	#11	5.5	
504H4-04	4	E800	(D996) D958+D095	H959	1.6	P136		LP26		KG131	KF26 GA. Hi	KJ11	KJ13	#11	6.0	
505F1-03	3	E783	(D569) D438+D674	H442	1.6	P152 F155		LP26		KG131	KF25 STD	KJ09	KJ10	#9	5.5	
512M1-24	2	E809	(D575) D440+D095	H445	1.6	P253 F374	KS62	LP36		KG142	KF26 Hi	KJ11	KJ13	#11	6.0	
512M8-23	3	E804A	(D576) D441+D674	H446	2.5	P230 F503	KS62	LP36A		KG142	KF26 Hi	KJ11	KJ12	#16	6.0	
514M2-24	2	E809	(D575) D440+D095	H445	1.6	P253 F374	KS62	LP26		KG142	KF26 Hi	KJ11	KJ13	#11	6.0	
514M2-25	2	E810	(D575) D440+D095	H445	1.6	P253 F374	KS62	LP26		KG142	KF26 Hi	KJ11	KJ13	#11	6.0	
514M4-23	2	E804	(D574) D440+D674	H445	1.6	P230/F503 P230/F374	KS62	LP26		KG142	KF25 STD	KJ11	KJ13	#9	5.5	
514M4-24	2	E805	(D574) D440+D674	H445	1.6	P230/F503 P230/F374	KS62	LP26		KG142	KF25 STD	KJ11	KJ13	#9	5.5	
514M5-23	2	E591	(D390) D675+D969	H974	1.6	P975 F381		LP26		KG142	KF26 Hi	KJ11	KJ12	#11	6.0	

RICAMBI SIRUBA

514M7-23	2	3	E804A	(D576) D441+D674	H446	2.5	P230 F503	KS62	LP26A		KG142	KF26 Hi	KJ11	KJ12	#16	6	
514H4-24 25	2	4 5	E809 E810	(D996) D958+D095	H959	1.6	P136		LP26		KG142	KF26 GA, Hi	KJ11	KJ13	#11	6.0	
516L1-24 35	2	4 5	E834 E839	(D579) D487+D060	H492	1.6	P500 P501	KS42	LP26	(LP21)	KG152 KG153	KF25 STD	KJ11	KJ10	#11	5.5	
516M1-55	5	5	E851	(D581) D489+D502	H494	1.6	P502	KS42	LP26	(LP23)	KG155	KF25 STD	KJ11	KJ10	#11	5.5	
516M2-35 55	3	5 5	E982 E986	(D581) D489+D502	H497 H500	1.6	P504 P502	KS42	LP26	(LP23)	KG153 KG155	KF26 Hi	KJ11	KJ12	#11	6.0	
516H1-55	5	5	E851	(D582) D490+D502	H495	2.5	P502	KS42	LP26	(LP23)	KG155	KF26 Hi	KJ11	KJ12	#16	6.0	
516H2-56	5	6	E868	(D582) D490+D502	H501	2.5	P502	KS42	LP26	(LP23)	KG155	KF26 Hi	KJ11	KJ12	#21	6.0	
516H4-35 55	3	5 5	E982 E986	(D002) D008+D502 (D003) D956+D502	H957	1.6	P508 P509	KS42B	LP26	(LP23)	KG153 KG155	KF25 GA, STD	KJ11	KJ10	#14	5.5	
516X1-55 56	5	5 6	E853 E854	(D582) D490+D502	H495	2.5	P955	KS47	LP38	(LP23)	KG155	KF26 Hi	KJ11	KJ12	#21	6.0	
516X2-56	5	6	E868	(D582) D490+D502	H501	2.5	P955	KS47	LP38	(LP23)	KG155	KF26 Hi	KJ11	KJ12	#21	6.0	
516M2-324 524	32	4 4	E989 E988	(D581) D489+D502	H497 H500	1.6	P233 P255	KS42	LP26	(LP21) (LP23)	KG333 KG355	KF25 STD	KJ11	KJ10	#11	6.0	

TRASFORMAZIONI PER SIRUBA 700 (VERSIONE F)

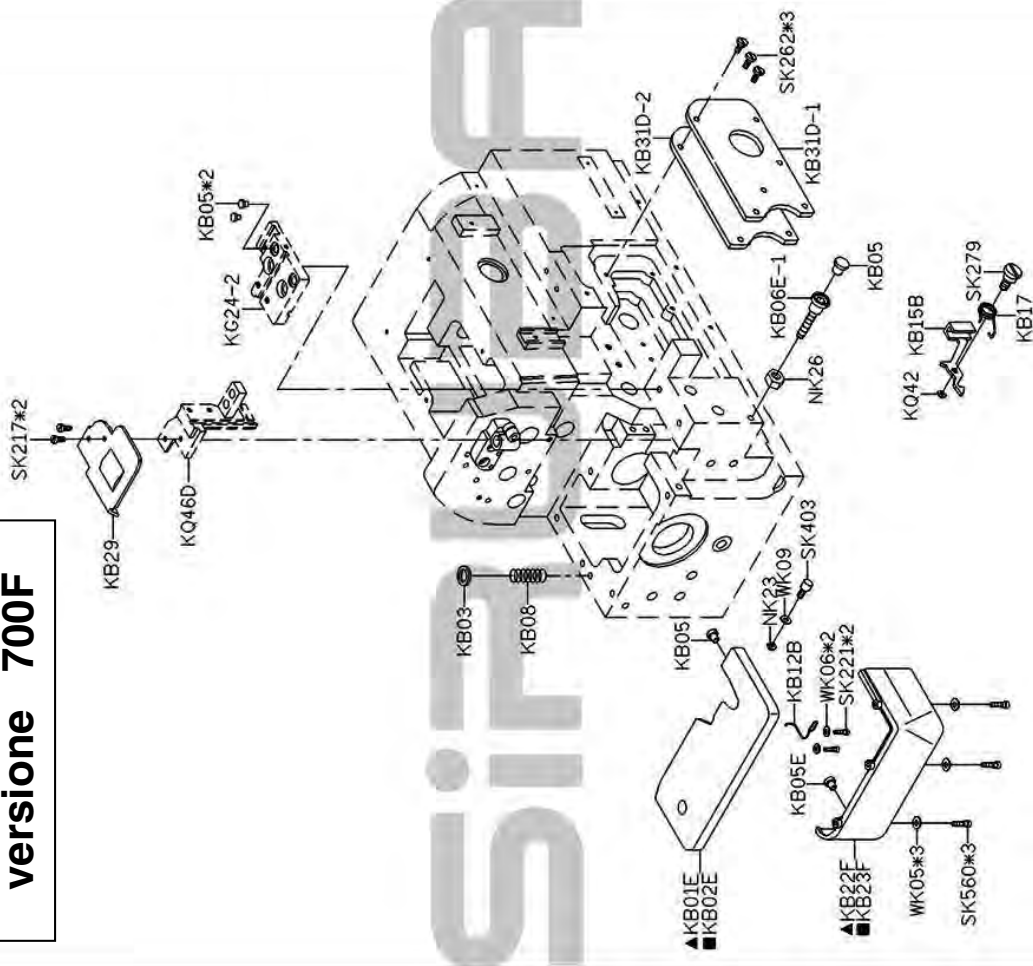
											機 型	
											MODEL	針板 NEEDLE PLATE
737F-504F1-04	E784	D438	D674	H442	P152D-3	LP26	KG131-E	KJ10F	KF25-A	KJ09B-E	DC27	#9
737F-505F1-04	E784	D438	D674	H442	P152D-3	LP26	KG131-E	KJ10F	KF25-A	KJ09B-E	DC27	#9
737F-504M1-15	E934	D438	D912	H442	P152D-A	LP26	KG131-E	KJ10F	KF25-A	KJ09B-E	DC27	#9
737F-504M2-04	E800	D440	D095	H445	P253E-3	LP26	KG131-E	KJ10F	KF25-A	KJ09B-E	DC27	#11
737F-504M2-04LFC-2	E800	D440	D095	H445	P101-3	LP26	KG131-E	KJ10F	KF25-A	KJ09B-E	DC27	#11
737F-504M2-04TR	E011	D015	D011	H445	P101-3	LP26	KG131-E	KJ10F	KF25-A	KJ09B-E	DC27	#9
737F-504M2-04WR/LF-B	E001					LP26	KG131-E	KJ10F	KF25-A	KJ09B-E	DC27	#11
737F-504M3-04	E796	D440	D674	H445	P230-3	LP26	KG131-E	KJ10F	KF25-A	KJ09B-E	DC27	#11
737F-504M3-05	E797	D440	D674	H445	P230-3	LP26	KG131-E	KJ10F	KF25-A	KJ09B-E	DC27	#11
737F-504M3-05PZ	E797	D440	D674	H445	PZ01-A	LP26	KG131-E	KJ10F	KF25-A	KJ09B-E	DC27	#18
737F-504M5-04BK	E589E	D969	D675	H974	P975-3	LP26	KG131-E	KJ10F	KF25-A	KJ09B-E	DC27	#11
747F-514H4-24GA	E919	D958	D095	H959	P136-A	LP26	KG142-E	KJ13F	KF26-A	KJ11B-E	DC27	#11*2
747F-512M1-25	E920	D440	D095	H445	P253E-4	LP36	KG142-E	KJ13F	KF26-A	KJ11B-E	DC27	#11*2
747F-512M1-34	E832	D440	D095	H447	P253E-A	LP36	KG143-E	KJ13F	KF26-A	KJ11B-E	DC27	#14*2
747F-514M2-24	E919	D440	D095	H445	P253E-4	LP26	KG142-E	KJ13F	KF26-A	KJ11B-E	DC27	#11*2
747F-514M2-24LF-B	E919	D440	D095	H445	P101-4	LP26	KG142-E	KJ13F	KF26-A	KJ11B-E	DC27	#11*2
747F-514M2-24LFC-2	E919	D440	D095	H445	P101-4	LP26	KG142-E	KJ13F	KF26-A	KJ11B-E	DC27	#11*2
747F-514M2-24TG	E919	D440	D095	H445	P254G-4	LP26	KG142-E	KJ13F	KF26-A	KJ11B-E	DC27	#11*2
747F-512M1-25	E810	D440	D095	H445	P253E-4	LP36	KG142-E	KJ13F	KF26-A	KJ11B-E	DC27	#11*2
747F-514M2-25TG	E810	D440	D095	H445	P254G-4	LP26	KG142-E	KJ13F	KF26-A	KJ11B-E	DC27	#11*2
757F-516H2-56	E868	D490	D502	H501	P502-A	LP38	KG155-E	KJ13F	KF26-A	KJ11B-E	DC27	#18*2
757F-516H4-35GA	E982	D008	D502	H957	P508-A	LP26	KG153-E	KJ10F	KF25-A	KJ09B-E	DC27	#14*2
757F-516H4-55GA	E986	D956	D502	H957	P509-A	LP26	KG155-E	KJ10F	KF25-A	KJ09B-E	DC27	#14*2

											機 型	
											MODEL	針板 NEEDLE PLATE
757F-516L1-24	E834	D487	D060	H492	P500-A	LP26	KG152-E	KJ10F	KF25-A	KJ09B-E	DC27	#14*2
757F-516L1-35	E839	D487	D060	H492	P504-A	LP26	KG153-E	KJ10F	KF25-A	KJ09B-E	DC27	#14*2
757F-401M1	E110	D105		H101	P767-A	LP26	KG153-E		KF26-A		DC27	#14*2
757F-401M2-50TA	E005	D005	D006	H005	P005E-A		TA155-E		KF26-A		DC27	#14*2
757F-516M2-35	E982	D489	D502	H497	P504-A	LP26	KG153-E	KJ13F	KF26-A	KJ11B-E	DC27	#14*2
757F-516M2-35PS	E982S	D489	D502	H497	P504S-A	LP26	KG153-E	KJ13F	KF26-A	KJ11B-E	DC27	#14*2
757F-516M2-55	E986	D489	D502	H500	P502-A	LP26	KG155-E	KJ13F	KF26-A	KJ11B-E	DC27	#14*2
757F-516M2-55PS	E986S	D489	D502	H500	P502S-A	LP26	KG155-E	KJ13F	KF26-A	KJ11B-E	DC27	#14*2
757F-516X2-56	E870	D490	D502	H501	P960-A	LP38	KG155-E	KJ13F	KF26-A	KJ11B-E	DC27	#18*2
757F-516X3-56	E870	D490	D502	H501	P960-A	LP38	KG155-E	KJ13F	KF26-A	KJ11B-E	DC27	#B64*2
767F-516M2-324	E989	D971	D502	H497	P233-A	LP26	KG333-E	KJ13F	KF26-A	KJ11B-E	DC27	#11*3
767F-516M2-524	E988	D972	D502	H500	P255-A	LP26	KG355-E	KJ13F	KF26-A	KJ11B-E	DC27	#11*3

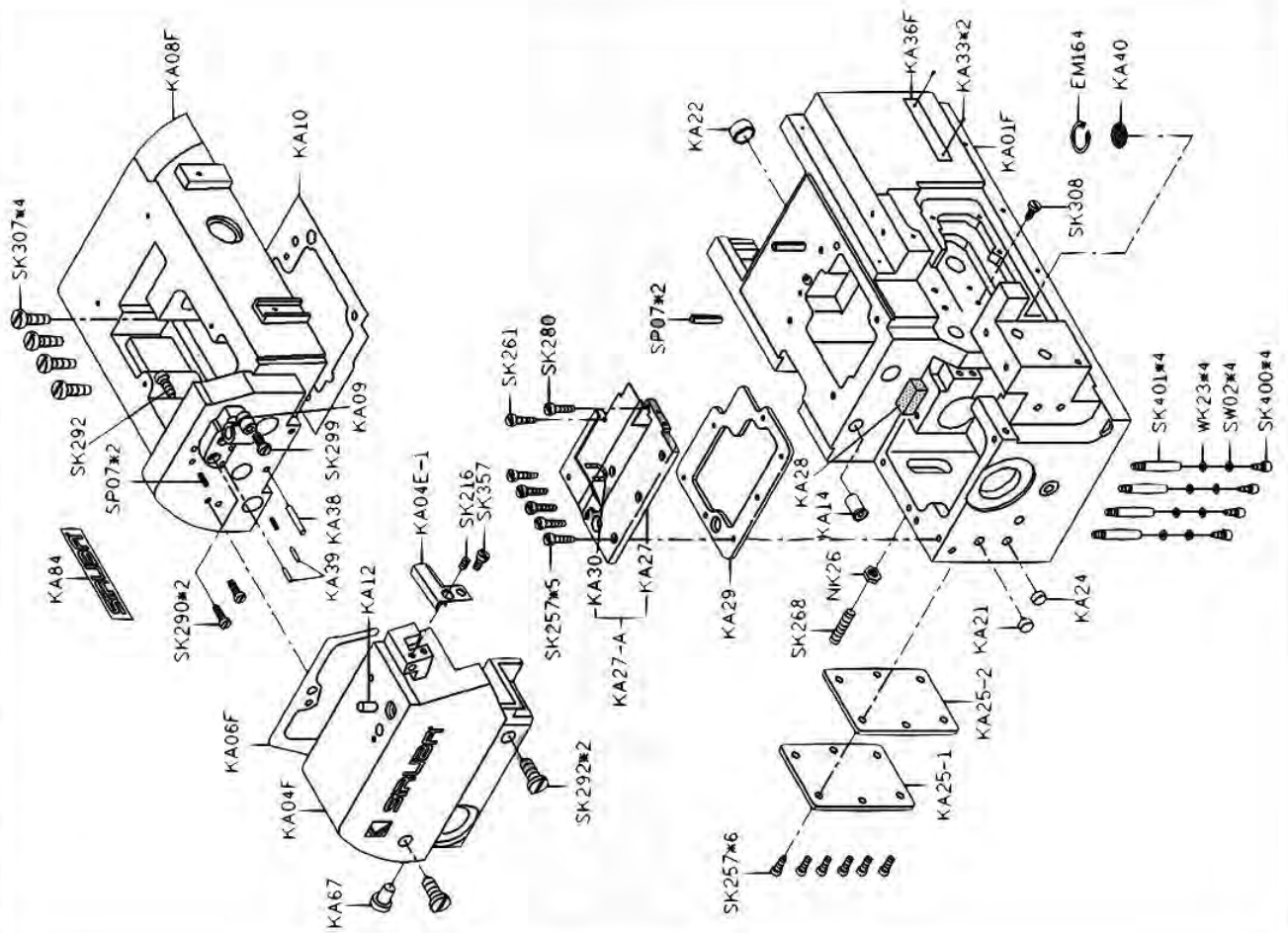
RICAMBI SIRUBA

PARTS LIST FOR KB GROUP 系列圖 2/23

RICAMBI SIRUBA versione 700F

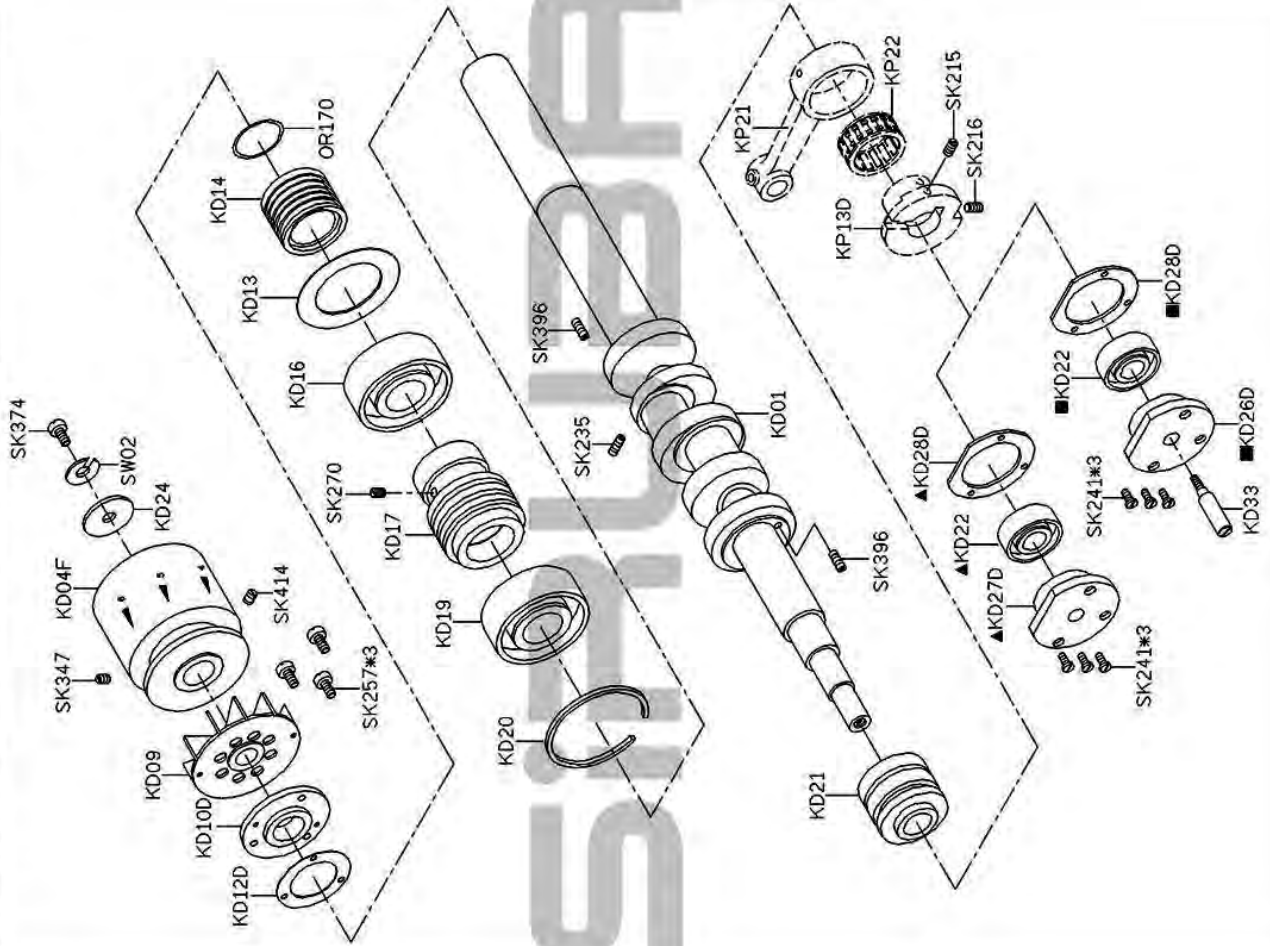


PARTS LIST FOR KA GROUP 系列圖 1/23

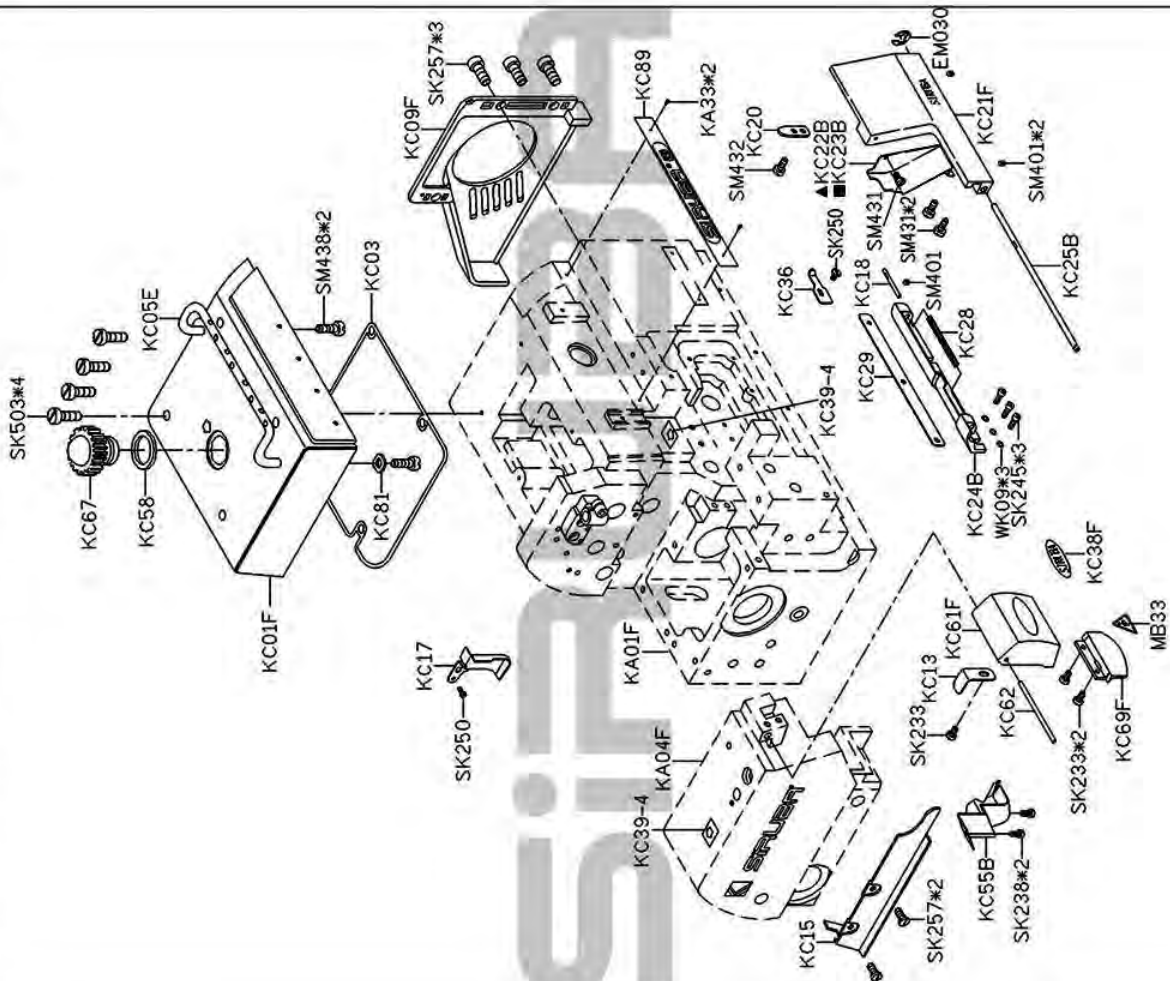


RICAMBI SIRUBA

PARTS LIST FOR KD GROUP 系列圖 4/23

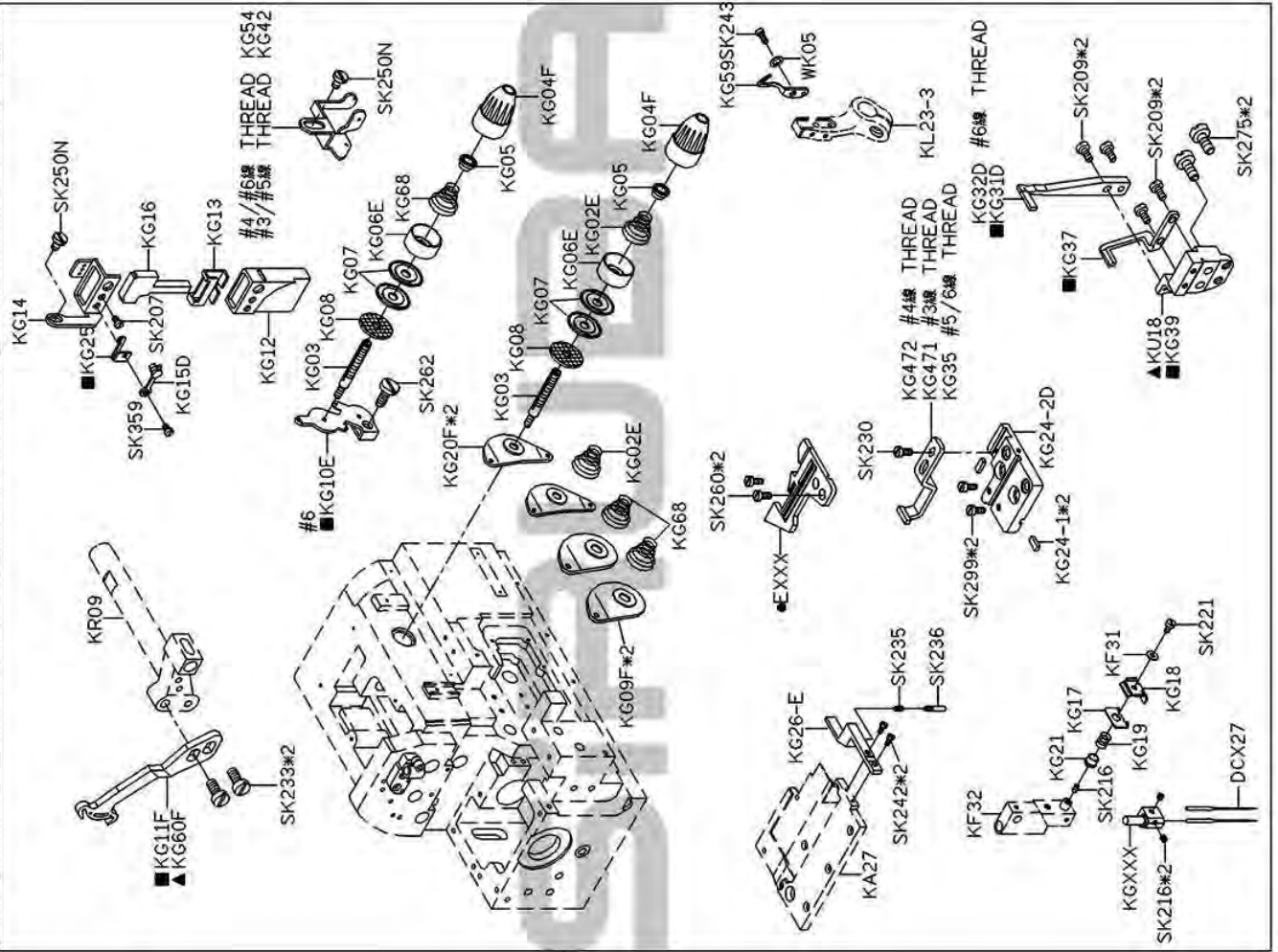


PARTS LIST FOR KC GROUP 系列圖 3/23

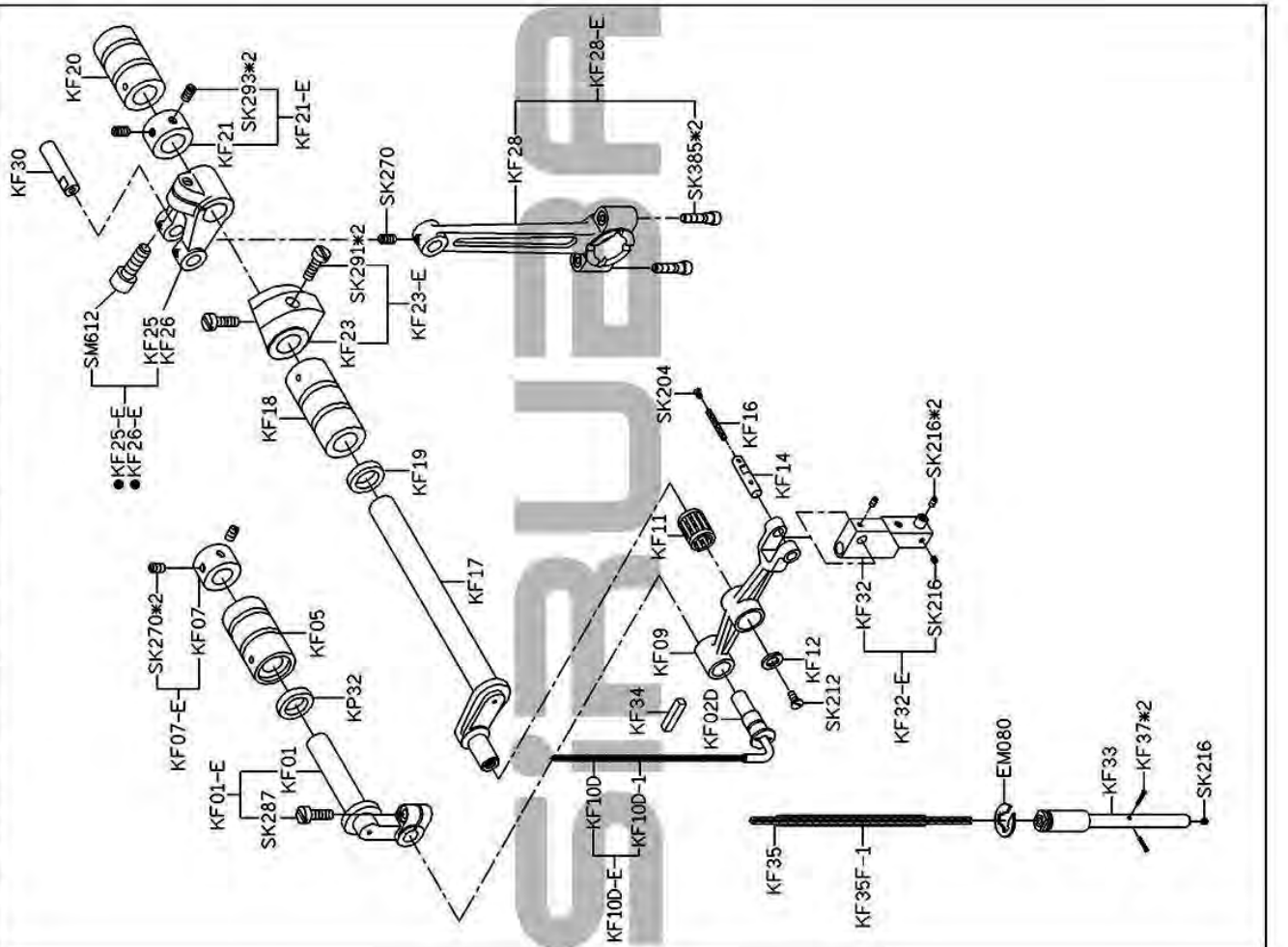


RICAMBI SIRUBA

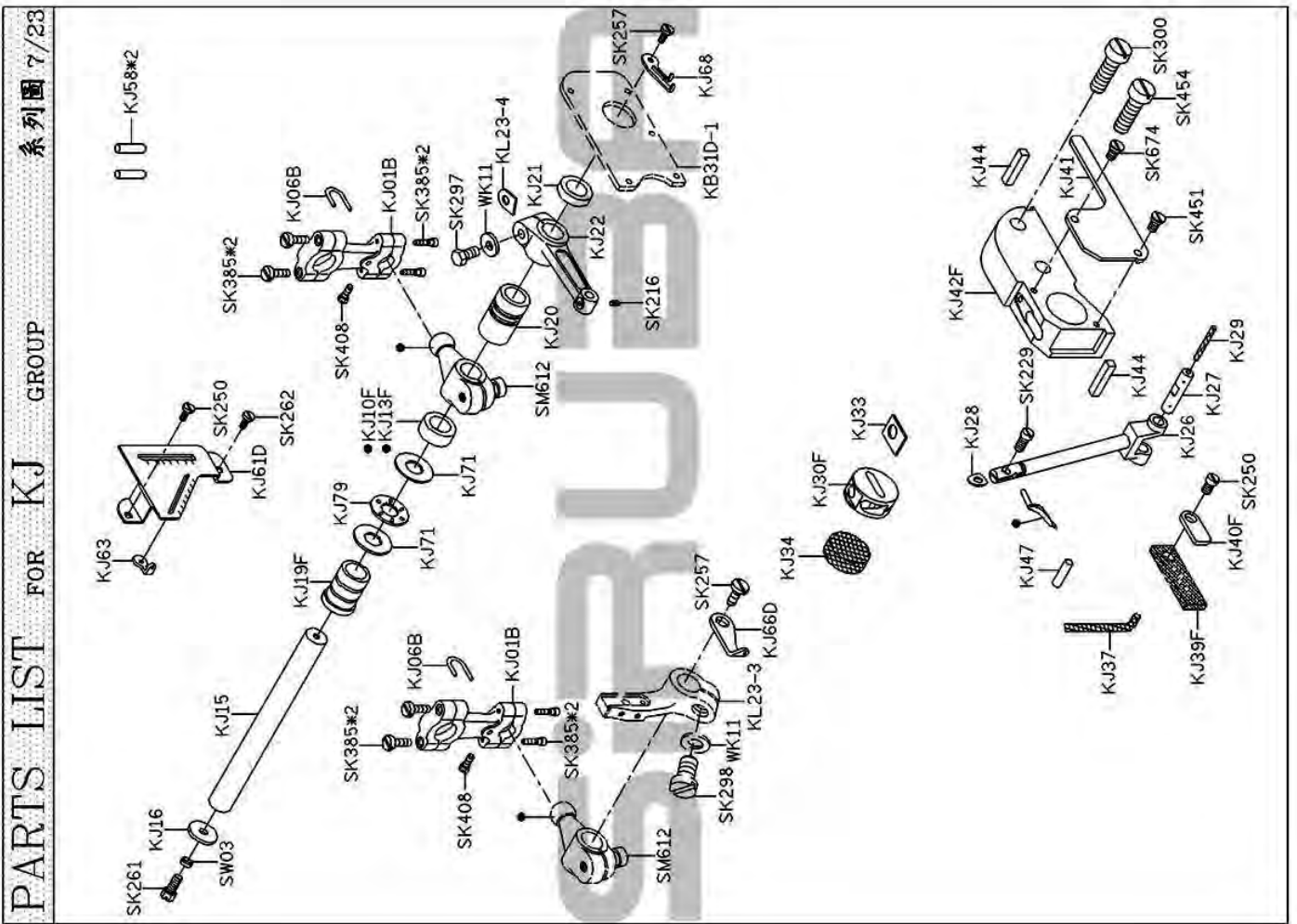
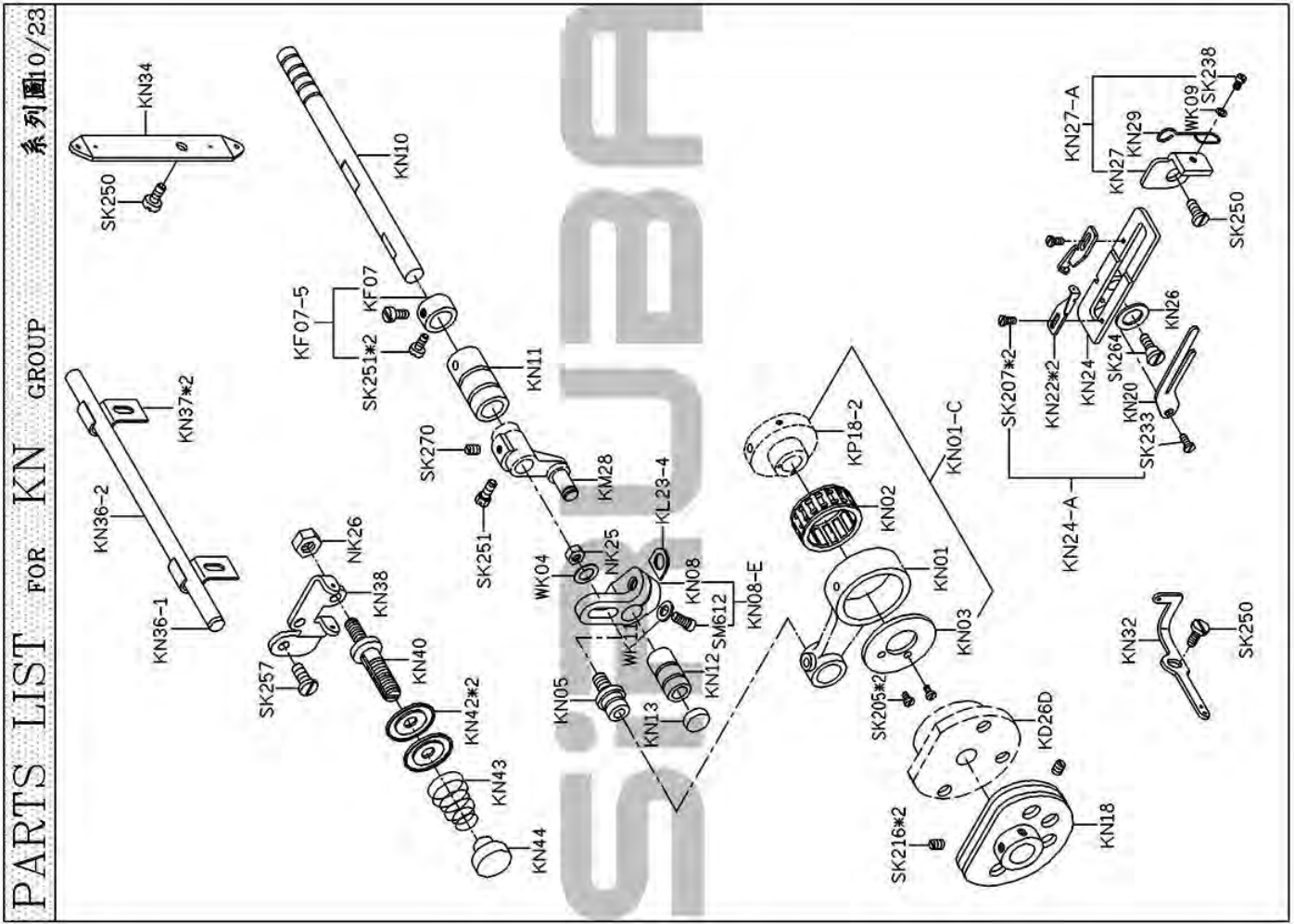
PARTS LIST FOR KG GROUP 系列圖 6/23



PARTS LIST FOR KF GROUP 系列圖 5/23

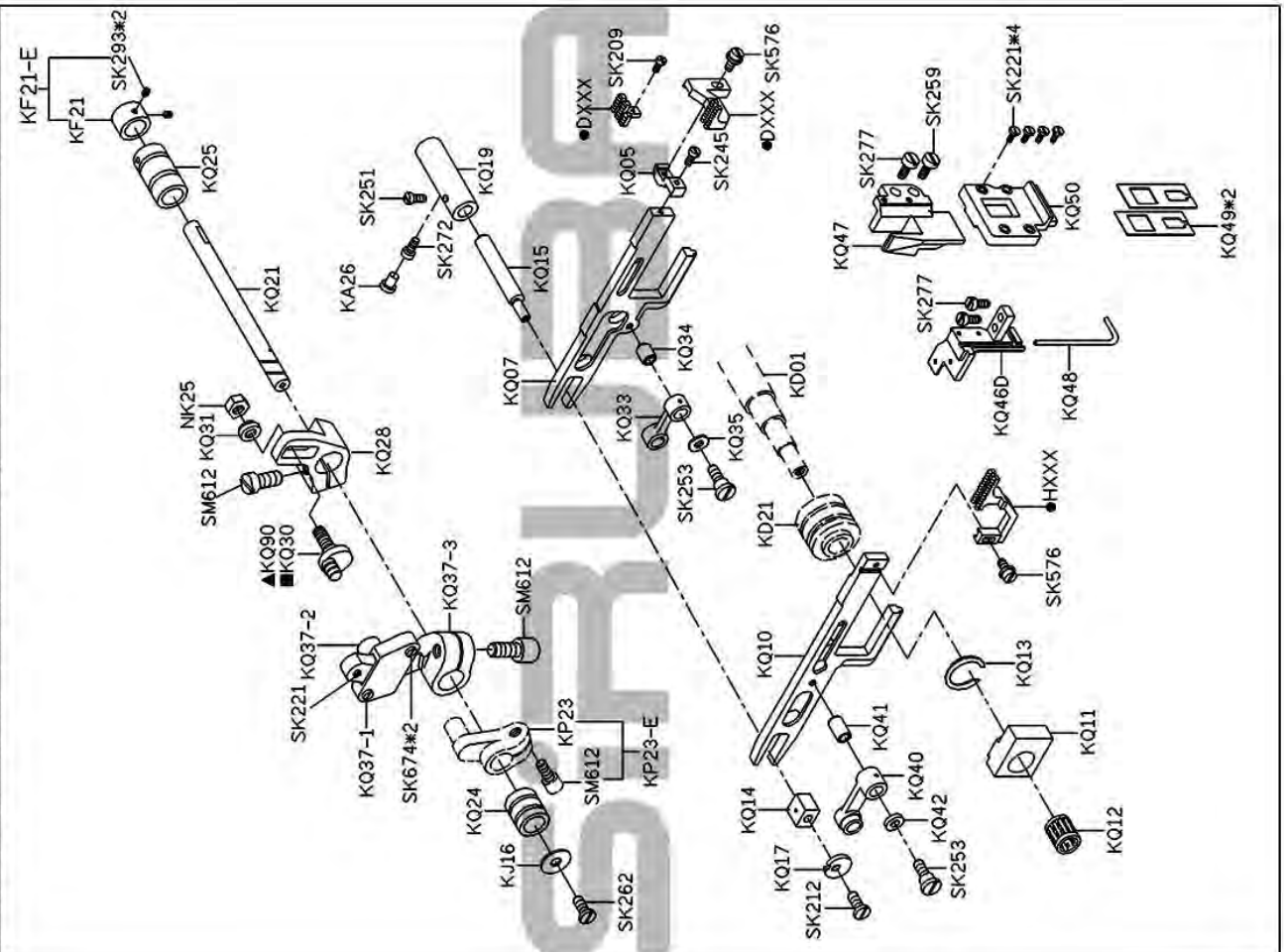


RICAMBI SIRUBA

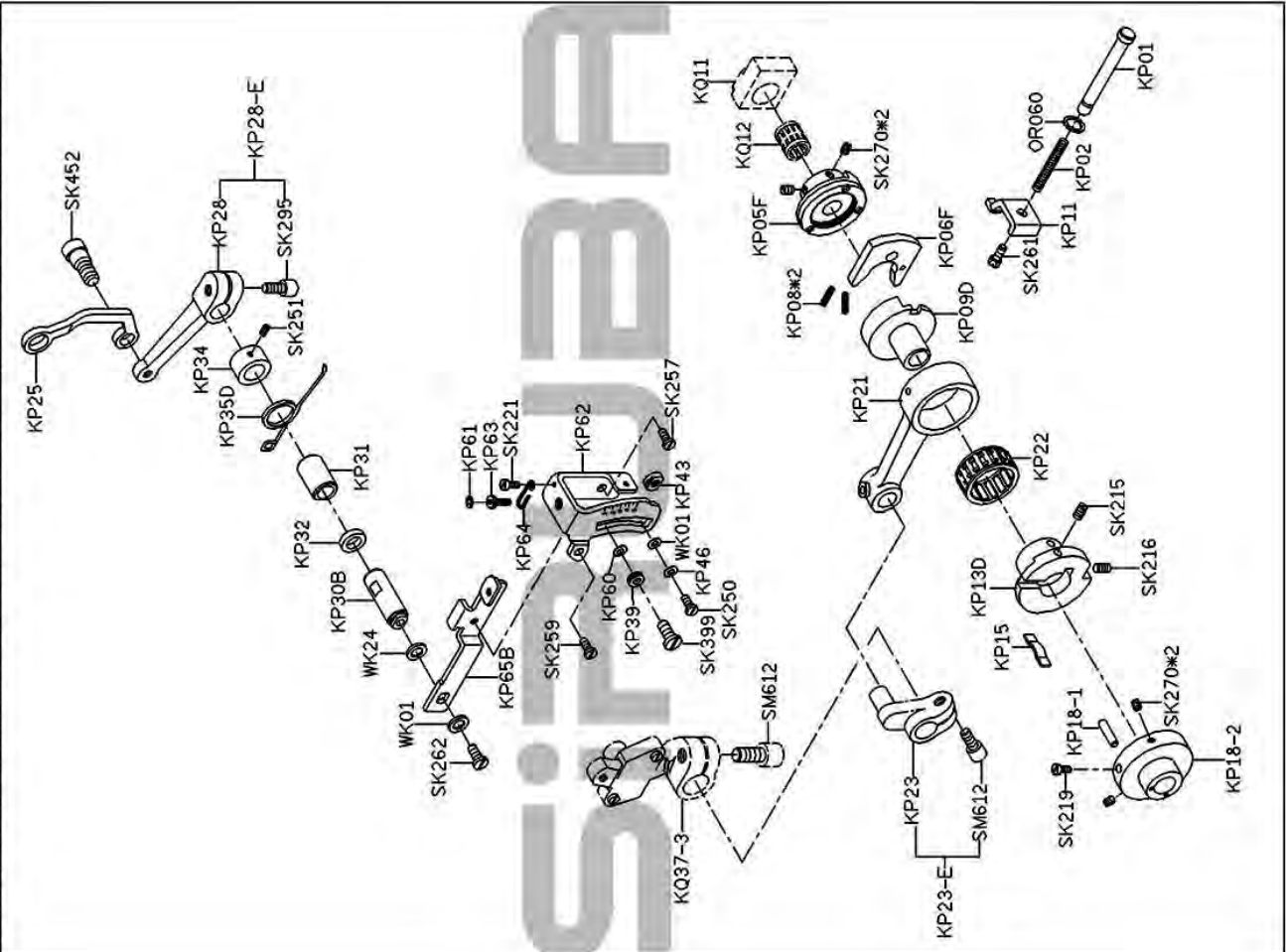


RICAMBI SIRUBA

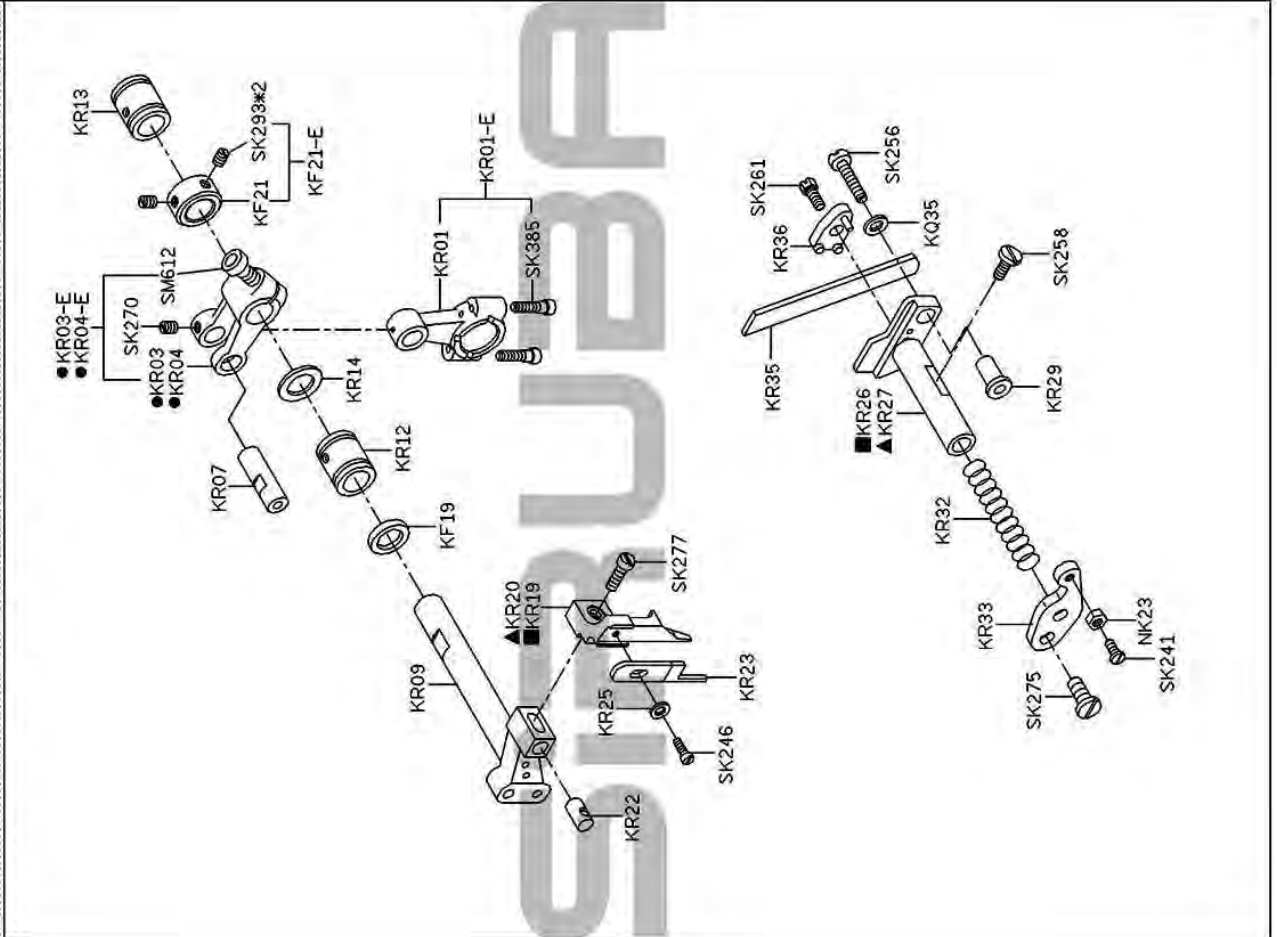
PARTS LIST FOR KQ GROUP 系列圖 2/23



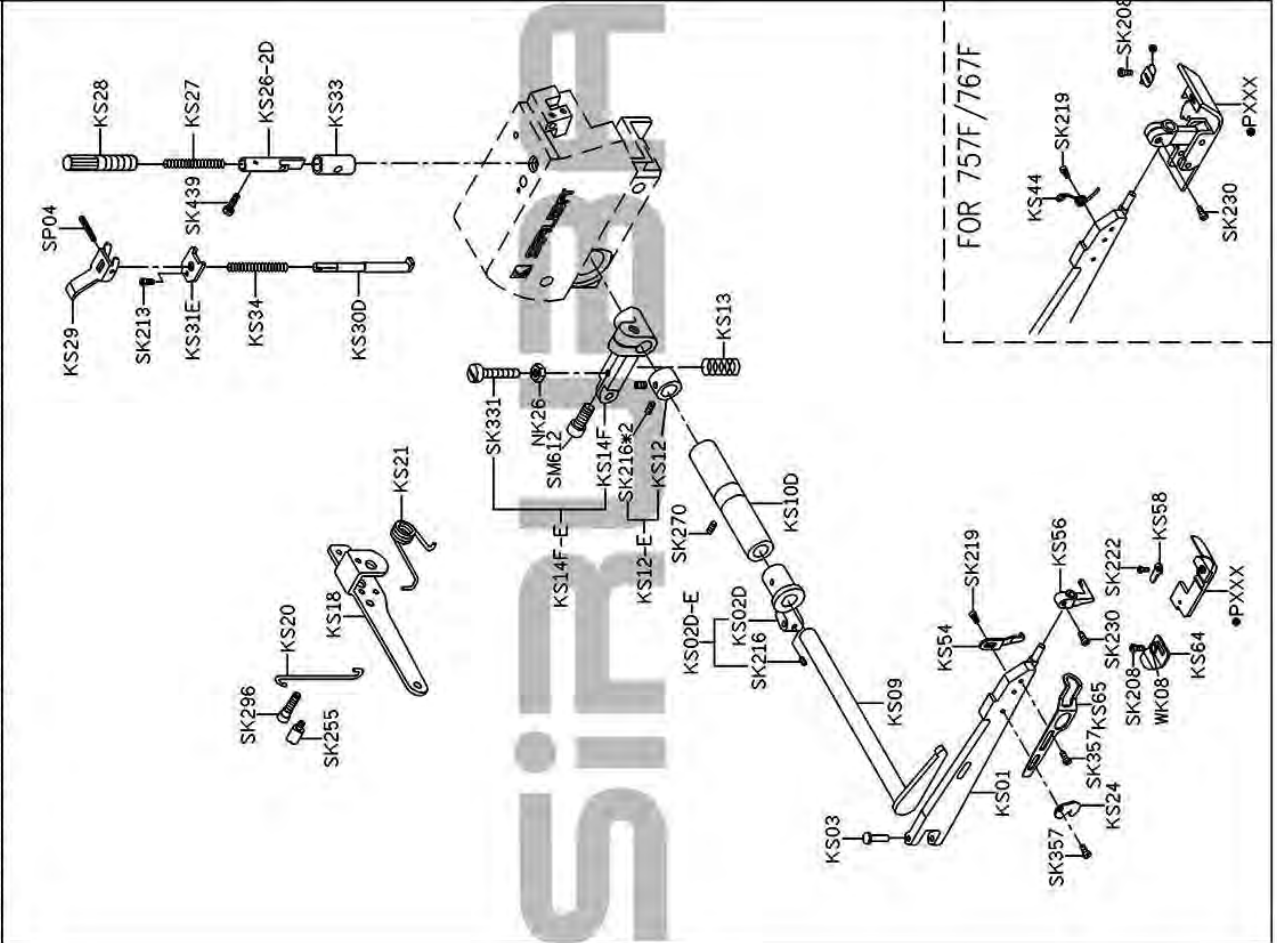
PARTS LIST FOR KP GROUP 系列圖 11/20



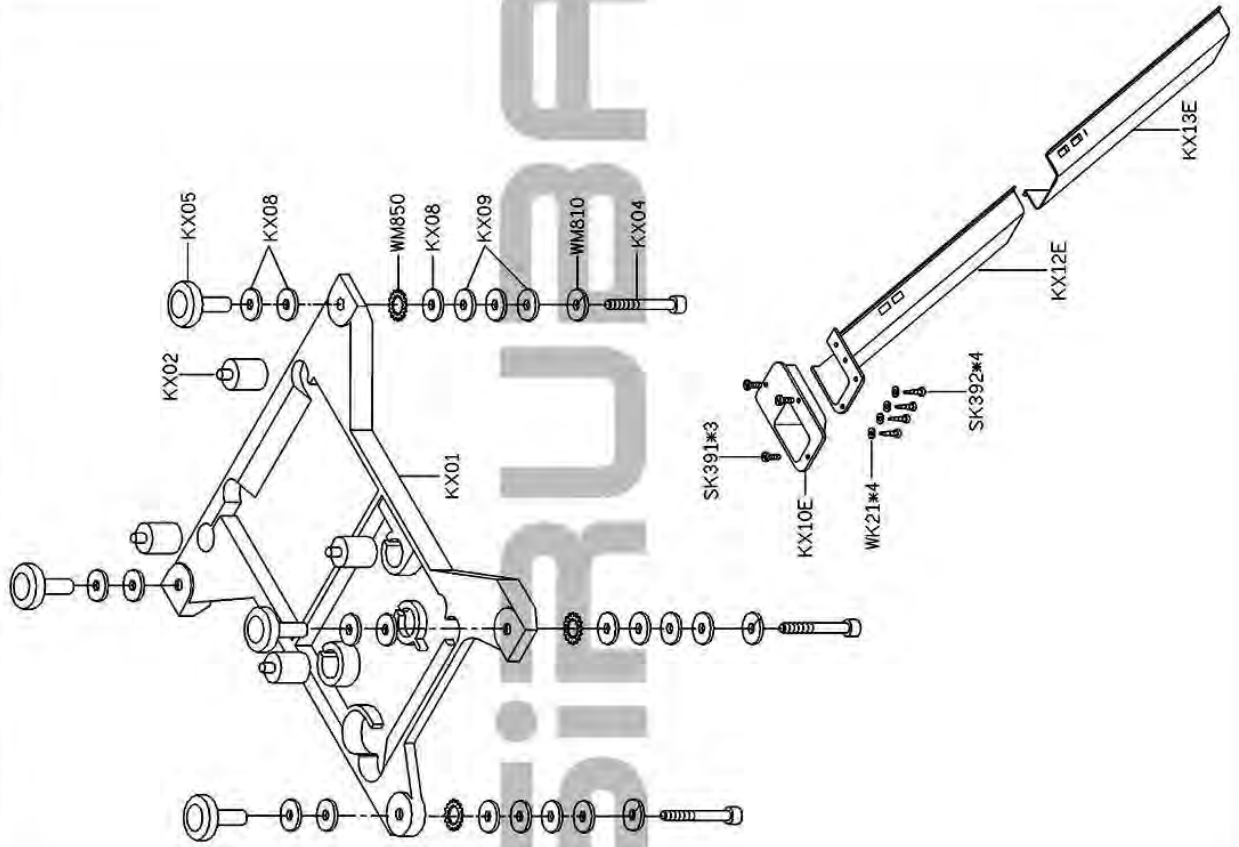
PARTS LIST FOR KR GROUP 系列圖 3/23



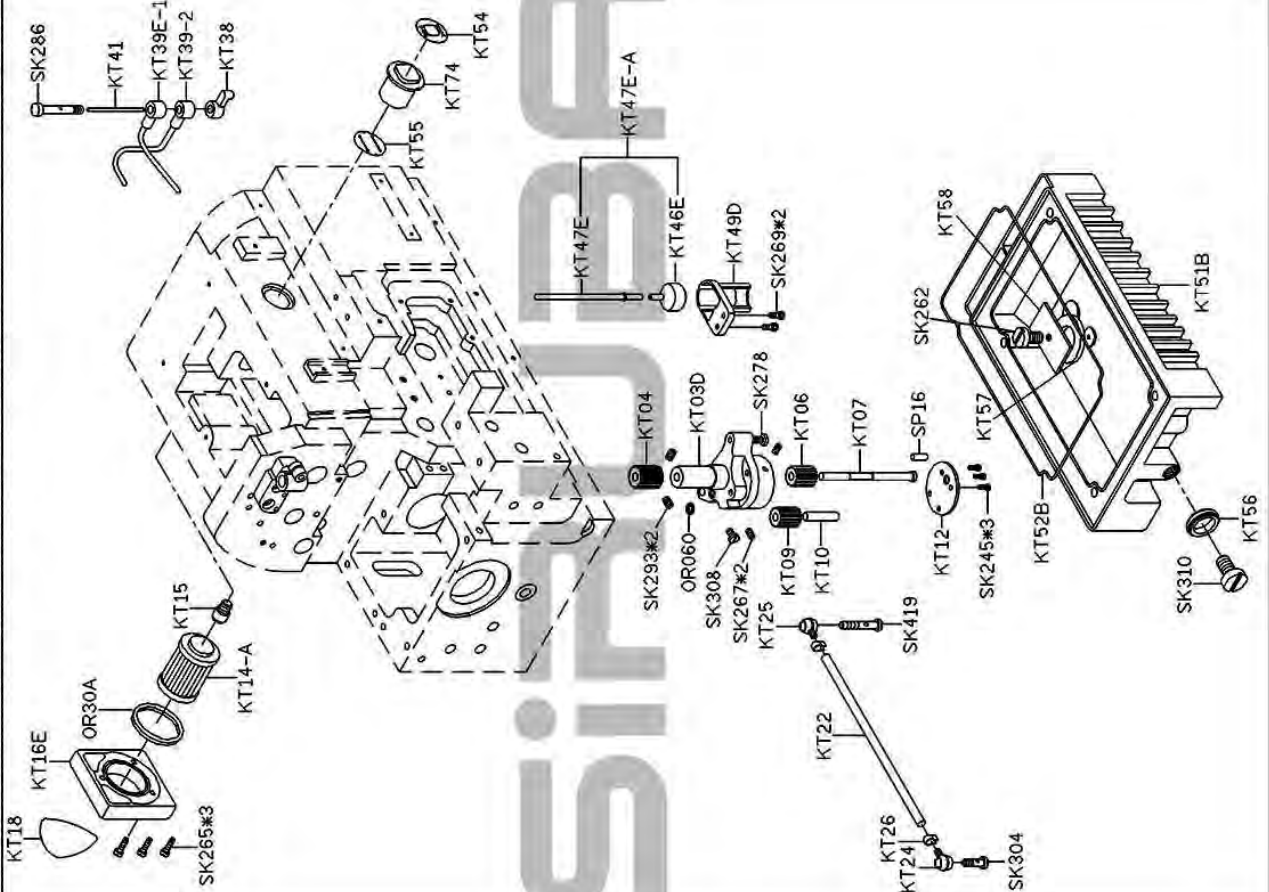
PARTS LIST FOR KS GROUP 系列圖 14/23



PARTS LIST FOR KX GROUP 系列圖21/23



PARTS LIST FOR KT GROUP 系列圖5/23



RICAMBI SIRUBA

PARTS LIST FOR GA GROUP

系列圖 1/1

	4		2		4		E919		H959		D996 (p958+D095)		P136-A		KV16
	5		3		5		E982		H957		D002 (D008+D502)		P508-A		KV17
			5		5		E986				D003 (p956+D502)		P509-A		

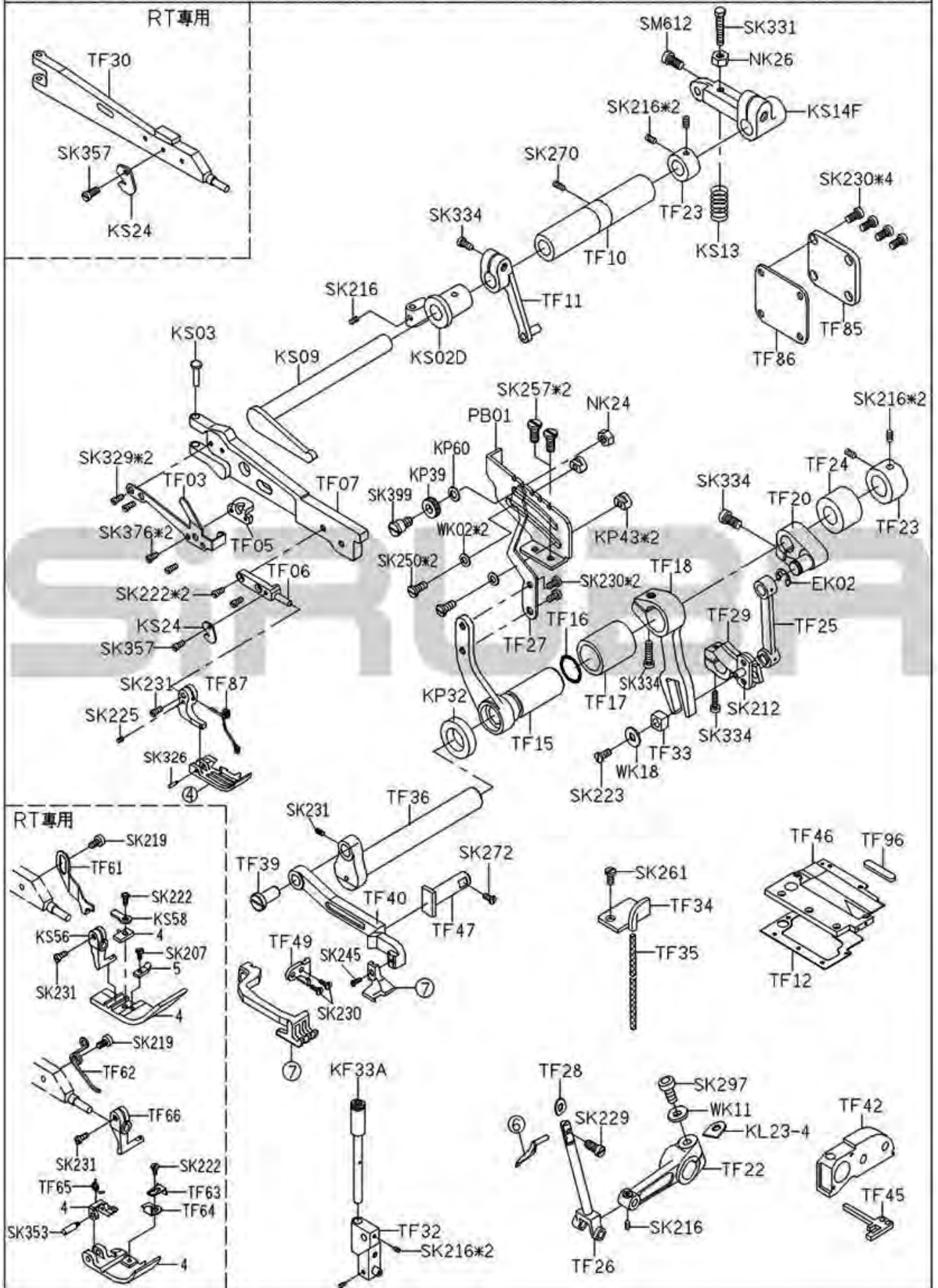
PARTS LIST FOR BK-F GROUP

系列圖 1/1

4 THREAD E591B Withthick H974

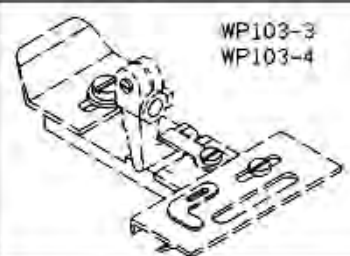
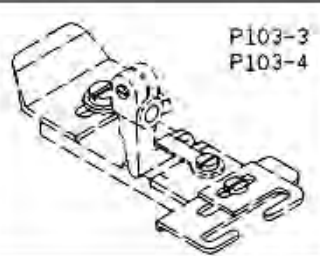
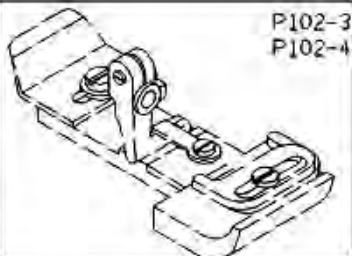
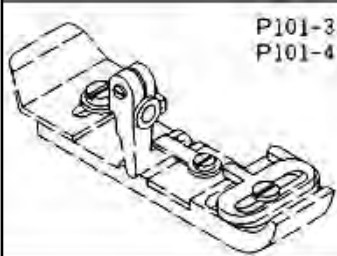
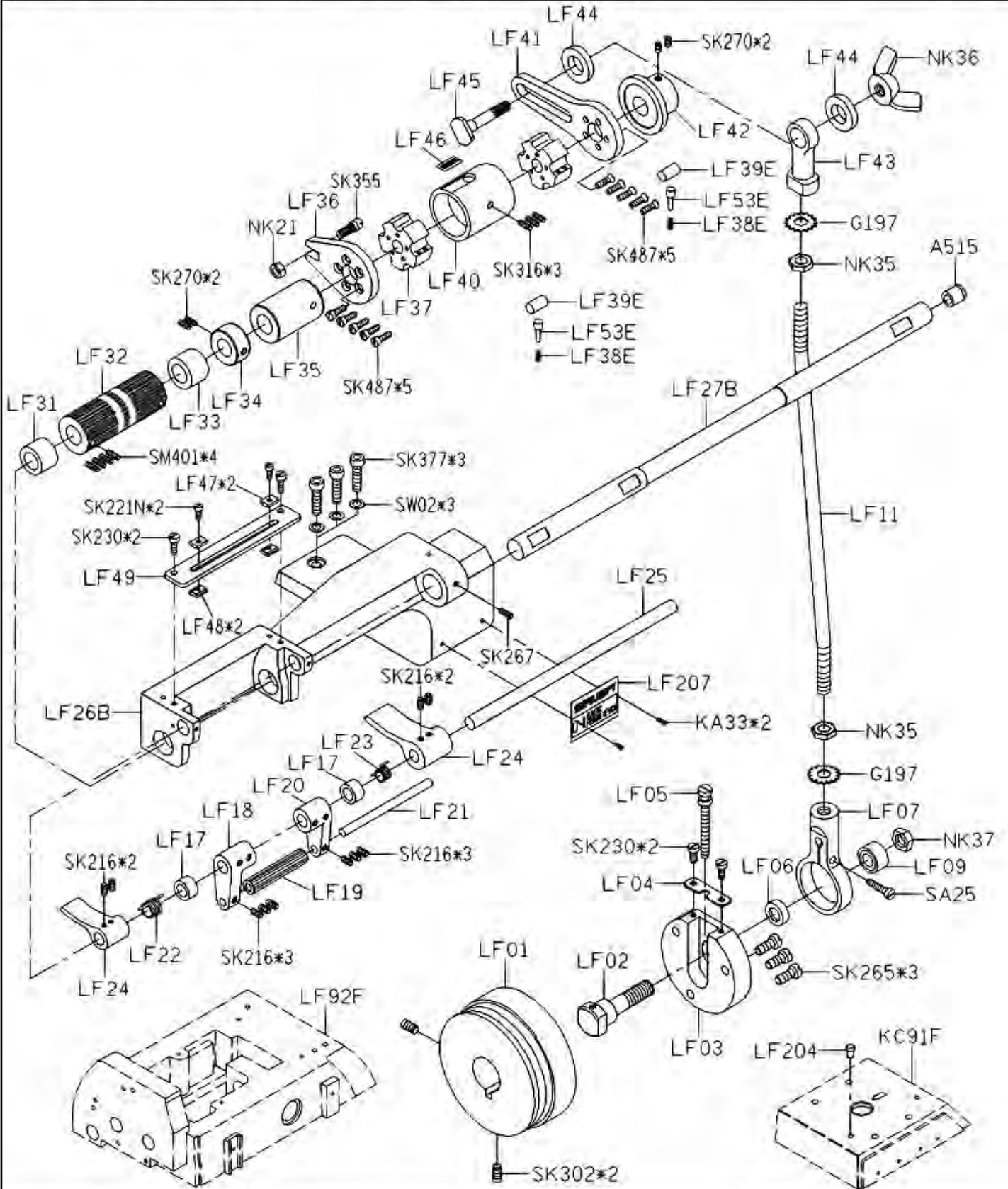
(3Thread 4m/m E589F
3m/m E588)
(4Thread E591F)

PARTS LIST FOR TF GROUP

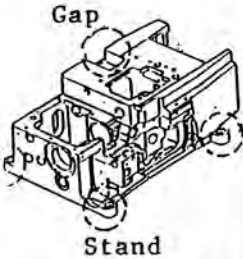
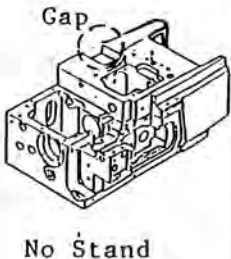
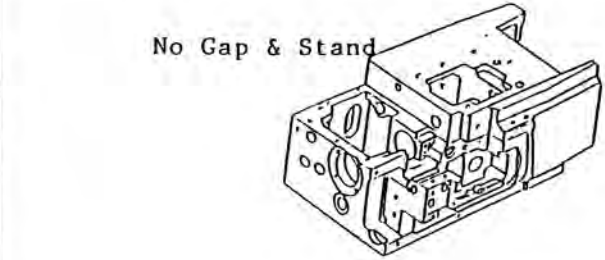
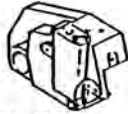
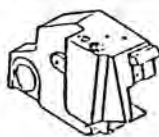


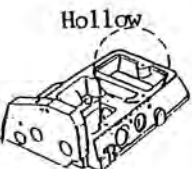
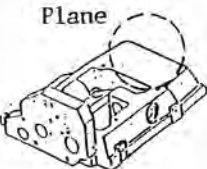
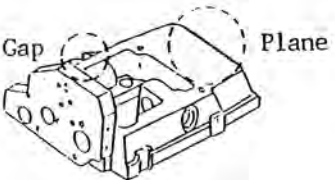

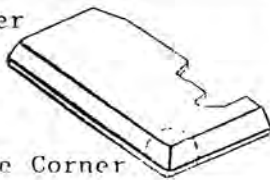





PARTS LIST FOR LF-B GROUP



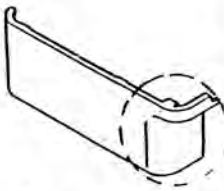
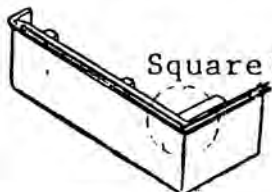
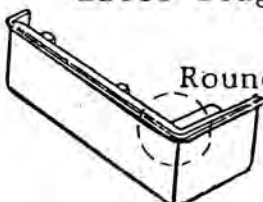
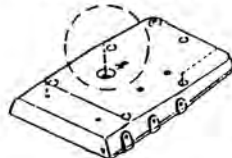
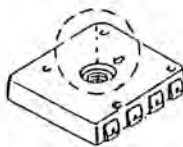
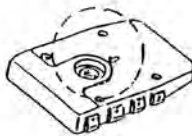
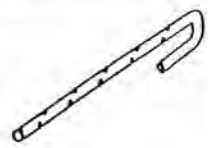




系列圖 1/1



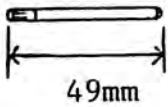
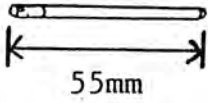

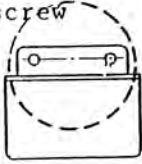
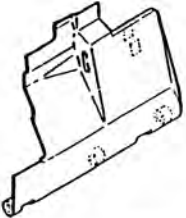
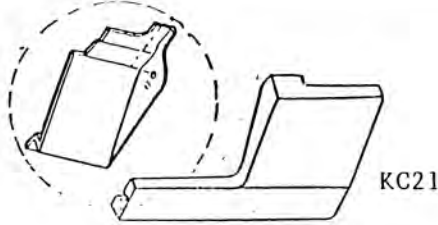
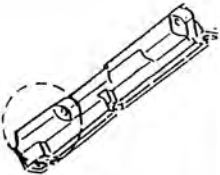
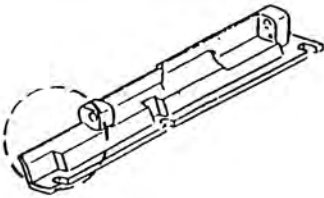
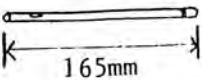
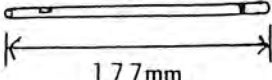


RICAMBI SIRUBA

747	747B	747 DO	747D D1	747D D2
KA01	KA01B	KA01D		
				
KA04	KA04B			KA04D
 <p style="text-align: center;">Cast Iron Material</p>	 <p style="text-align: center;">Cast Iron Material</p>		<p>come KA04B ma in alluminio</p>	
KA06	KA06B			
				
KA08	KA08B	KA08D		
				
KB01/KB02	KB01B /KB02B			
 <p style="text-align: center;">Round Corner</p>	<p>Earlier Stage</p>  <p style="text-align: center;">Square Corner</p>		<p>Later Stage</p>  <p style="text-align: center;">Round Corner</p>	
KB12	KB12B			
				





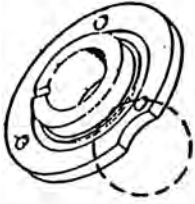

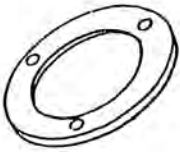

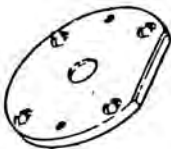





RICAMBI SIRUBA

747	747B	747 DO	747D D1	747D D2
<p>Gli aggiornamenti riportati su queste pagine, sono relativi alle modifiche apportate nelle versioni SIRUBA successive all'uscita del nostro catalogo 95, le stesse sono riferibili anche alle analoghe versioni WG/MAUSER</p>				
KB15	KB15B			
				
KB22/KB23	KB22B/KB23B			
 Round Corner	Earlier Stage  Square Corner	Later Stage  Round Corner		
KC01	KC01B	KC01D		
Fixed w/SK309 	Fixed w/KC57 & KC58 	Earlier Stage -- Fixed w/ SK309 Later Stage -- Fixed w/ KC57 & KC58 		
KC05	KC05B	KG09D		
				
KC11	KC11B			
				
<p>altri componenti dello sportello tipo nuovo : pagina successiva</p>				





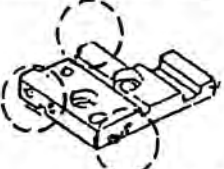
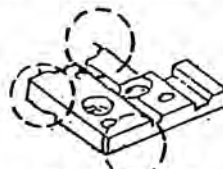







RICAMBI SIRUBA

700	700B	700 DO	700D D1	700D D2
KC12	KC12B			
				
KC19	KC19B			
<p>Fixed w/ pin</p> 	<p>Fixed w/ screw</p> 			
KC22/KC23	KC22B/ KC23B			
				
KC24	KC24B			
				
KC25	KC25B			
				
KC55	KC55B			
				







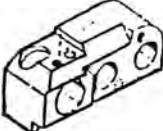
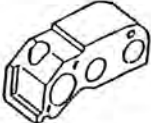

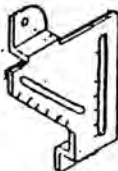
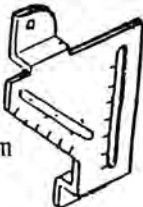
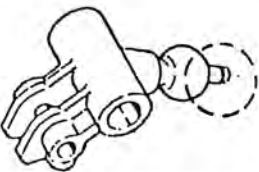



RICAMBI SIRUBA

700	700B	700 DO	700D D1	700D D2
SK309	KC57/KC58	SK309	KC57/KC58	
				
KD10				KD10D
 O.D. ϕ62.8				O.D. ϕ56 
KD12				KD12D
 O.D. ϕ62				O.D. ϕ55 
KD26/KD27				KD26D/KD27D
 Four Holes				Three Holes 
KD28				KD28D
 Four Holes				Three Holes 
KG09	—	KG09D		
One Hole		Two Holes		
				







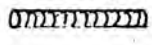
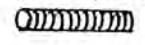








RICAMBI SIRUBA

700	700B	700 (Do)	700D (D1)	700D (D2)
KG11	KG11	KG11D	KG11D	KG11D
				
KG15	KG15	KG15	KG15	KG15D
Metal 				Rubber 
KG24	KG24B	KG24B	KG24B	KG24D
Two Convex Angle  Screw Hole	Two Convex Angle  No Screw Hole			One Convex Angle  No Screw Hole
KG31/KG32	KG31/KG32	KG31/KG32	KG31/KG32	KG31D/KG32D
				
----	KG54B	KG54D	KG54D	KG54D
	Two Horizontal Holes 	Two Vertical Holes 		
KJ01	KJ01B	KJ01B	KJ01B	KJ01B
				



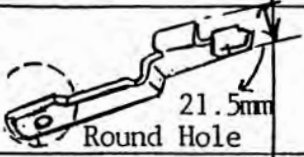
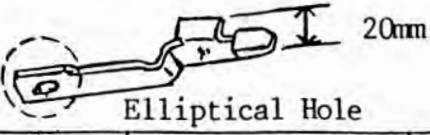


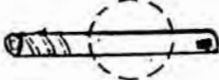

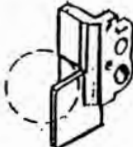

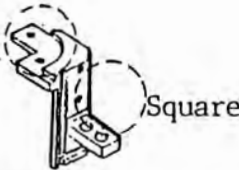





RICAMBI SIRUBA

700	700B	700 (Do)	700D (D1)	700D (D2)
KJ06	KJ06B	KJ06B	KJ06B	KJ06B
				
KJ09/KJ11	KJ09B/KJ11B	KJ09B/KJ11B	KJ09B/KJ11B	KJ09B/KJ11B
				
KJ30	Kj30	KJ30	KJ30	KJ30D
				
KJ42	KJ42	KJ42	KJ42	KJ42D
				
KJ61	KJ61B	KJ61B	KJ61B	KJ61D
	 5mm			 11.5mm
KL09	KL09B	KL09B	KL09B	KL09B
				
KL12	KL12B	KL12B	KL12B	KL12B
				







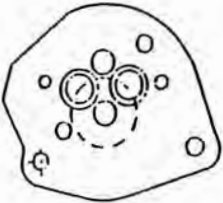
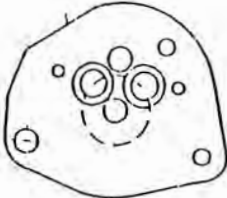





RICAMBI SIRUBA

700	700B	700 (Do)	700D (D1)	700D (D2)
KP05	KP05	KP05	KP05	KP05D
One Hole 				One Hole w/ pin 
				
KP06	KP06	KP06	KP06	KP06D
One Hole inside 				Two Holes Inside 
KP08	KP08	KP08	KP08	KP08D
O.D. $\phi 3.7\text{mm}$ 				O.D. $\phi 4.7\text{mm}$ 
KP09	KP09	KP09	KP09	KP09D
 Gap				 No Gap
KP13	KP13	KP13	KP13	KP13D
 One Hole				Groove 
KP25	KP25	KP25	KP25	KP25D
				
KP28	KP28	KP28	KP28	KP28D
 Straight Shaft				Crank Shaft 

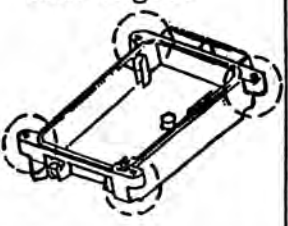
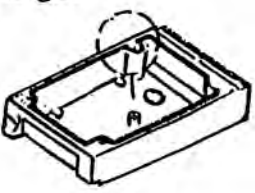

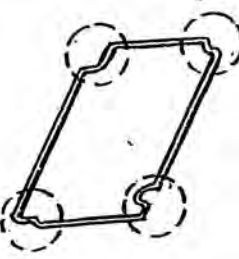


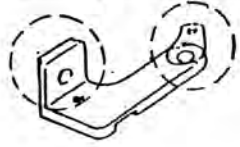

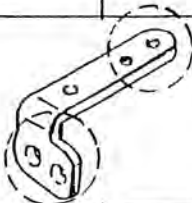
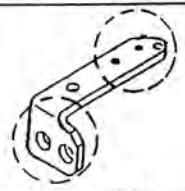
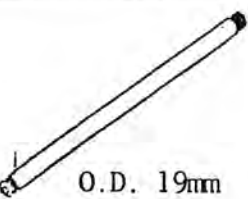
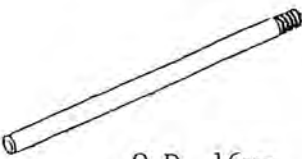
RICAMBI SIRUBA

700	700B	700 (Do)	700D (D1)	700D (D2)
KP30	KP30B	KP30B	KP30B	KP30B
				
KP65	KP65B	KP65B	KP65B	KP65B
				
KP35	KP35	KP35	KP35	KP35D
				
KQ21	KQ21	KQ21	KQ21	KQ21D
				
KQ44	KQ44	KQ44	KQ44	KQ44D
No Hole 				Two Holes 
KQ46	KQ46	KQ46	KQ46	KQ46D
 Square				 Curve
KS02	KS02	KS02D	KS02D	KS02D
				
KS10	KS10	KS10	KS10D	KS10D
				

RICAMBI SIRUBA

700	700B	700 (Do)	700D (D1)	700D (D2)
KS14	KS14	KS14	KS14D	KS14D
				
KS26	KS26	KS26	KS26	KS26D
				
KS30	KS30	KS30	KS30	KS30D
				
KT01-1	KT03-1B	KT03-1B	KT03-1B	KT03-1D
				
KT16	KT16B	KT16B	KT16B	KT16B
				
KT39-1	KT39B-1	KT39B-1	KT39B-1	KT39B-1
				

RICAMBI SIRUBA

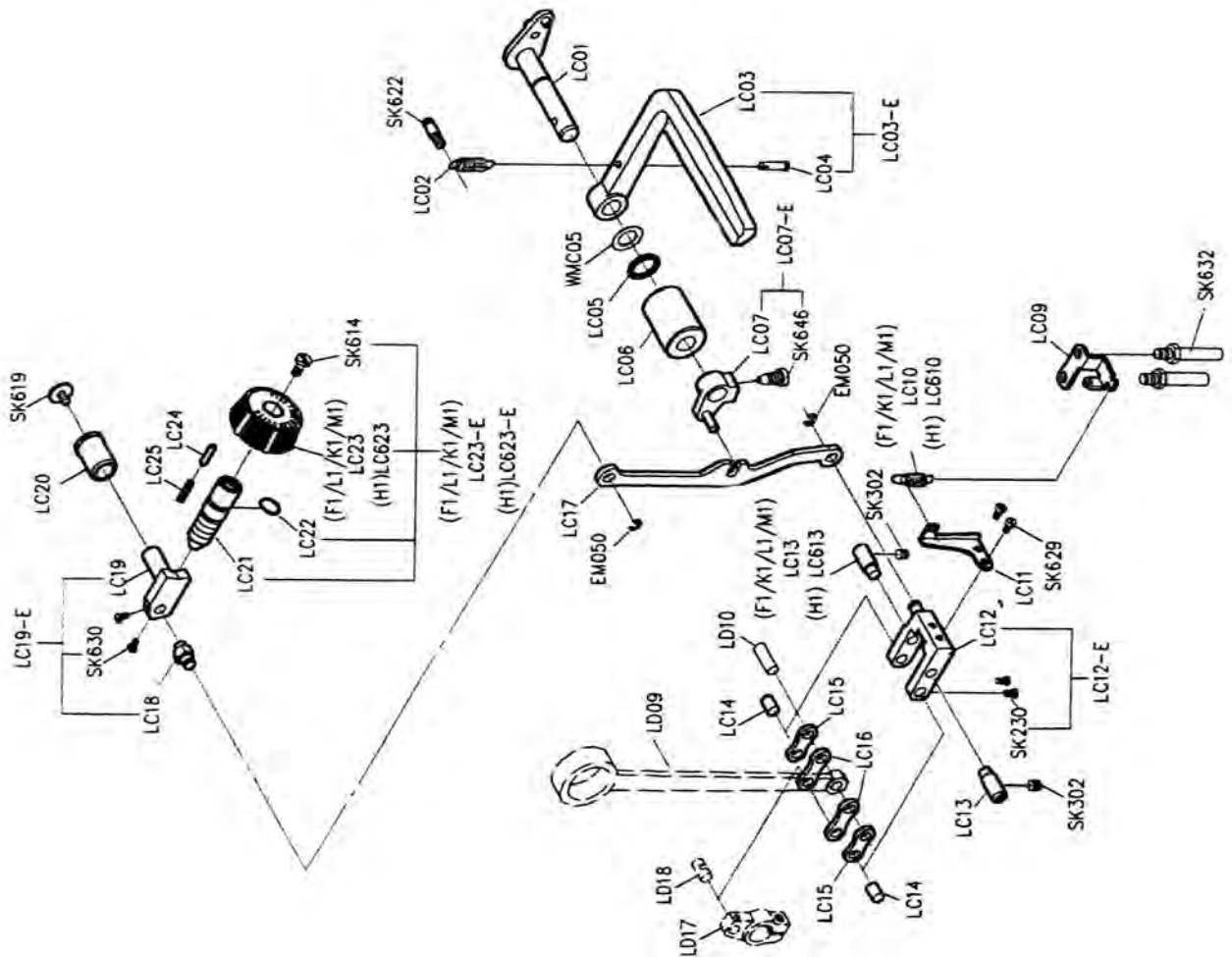
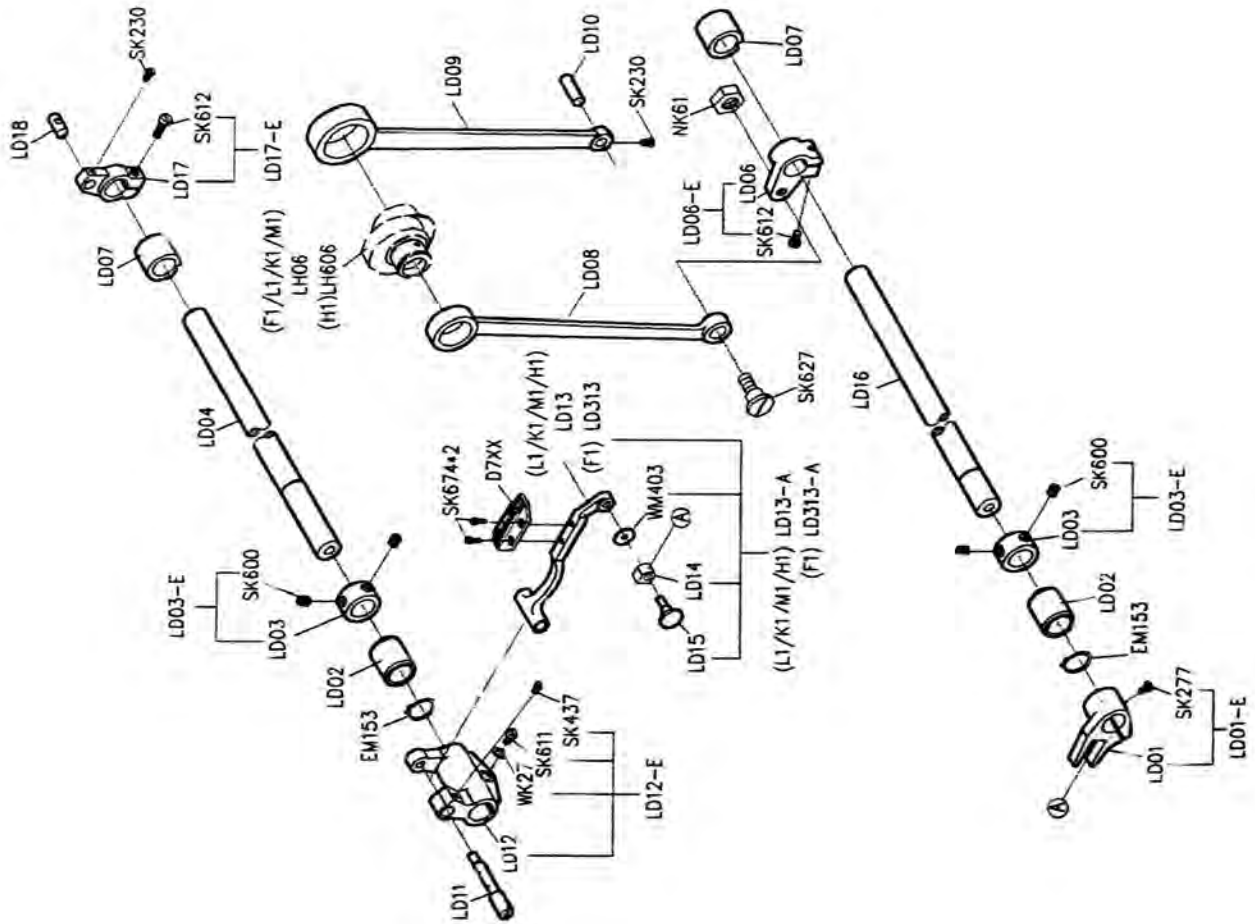
700	700B	700 (Do)	700D (D1)	700D (D2)
KT51	KT51B	KT51B	KT51B	KT51B
Four Angles 	No Angle 			
KT52	KT52B	KT52B	KT52B	KT52B
				
KU23	KU23B	KU23B	KU23B	KU23B
Spring Cover  24mm	Rubber Cover  31mm			
KU27	KU27	KU27	KU27	KU27D
				
KU28	KU28	KU28	KU28	KU28D
				
KW01	KW01B	KW01B	KW01B	KW01B
 O.D. 19mm	 O.D. 16mm			

RICAMBI SIRUBA

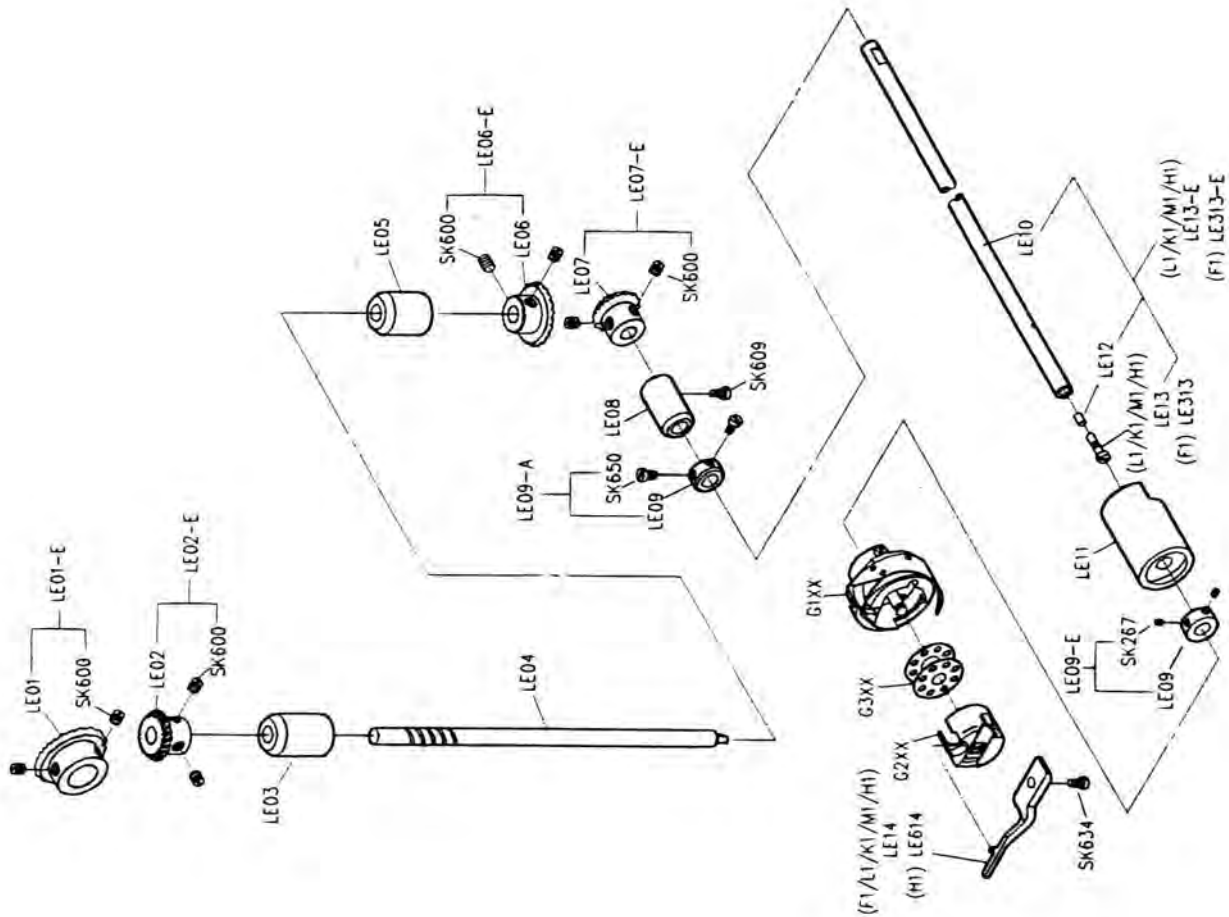
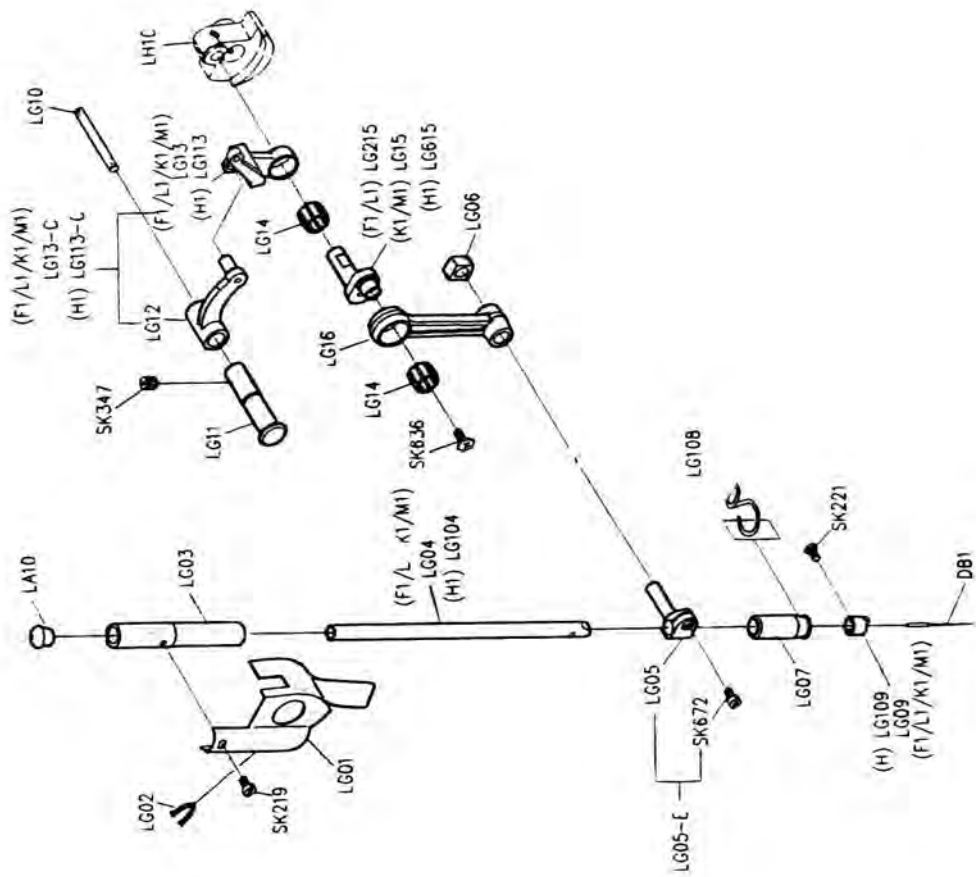
L818 rasafilo piana

MODEL 機型	MATERIAL 布料	OPERATING PANEL 操作盒	NEEDLE PLATE 針板	FEED DOG 送具	PRESSER FOOT 押具	HOOK 梭頭	BOBBIN CASE 梭殼	BOBBIN 梭子	NEEDLE 針號
L818-F1-00 ~ L818-F1-03	FINE MATERIAL 超薄布料	LA55-A	E731	D731	P721	G141	G201	G303	DB*1SF #9
L818-F1-10 ~ L818-F1-13		LA53-A	E731	D731	P721	G141	G201	G303	DB*1SF #9
L818-F1-20 ~ L818-F1-23		LA55-A	E721	D721	P721	G141	G201	G303	DB*1SF #9
L818-F1-30 ~ L818-F1-33		LA53-A	E721	D721	P721	G141	G201	G303	DB*1SF #9
L818-L1-00 ~ L818-L1-03	LIGHT MATERIAL 薄布料	LA55-A	E701	D701	P721	G121	G201	G303	DA*1 #9
L818-L1-10 ~ L818-L1-13		LA53-A	E701	D701	P721	G121	G201	G303	DA*1 #9
L818-M1-00 ~ L818-M1-03	MEDIUM MATERIAL 中厚布料	LA55-A	E701	D701	P701	G121	G202	G301	DA*1 #11
L818-M1-10 ~ L818-M1-13		LA53-A	E701	D701	P701	G121	G202	G301	DA*1 #11
L818-K1-00 ~ L818-K1-03	KNITTING MATERIAL 編織布料	LA55-A	E741	D741	P721	G121	G202	G303	DA*1 #9
L818-K1-10 ~ L818-K1-13		LA53-A	E741	D741	P721	G121	G202	G303	DA*1 #9
L818-H1-00 ~ L818-H1-03	HEAVY MATERIAL 厚布料	LA55-A	E711	D711	P711	G122	G202	G301	DB*1 #21
L818-H1-10 ~ L818-H1-13		LA53-A	E711	D711	P711	G122	G202	G301	DB*1 #21

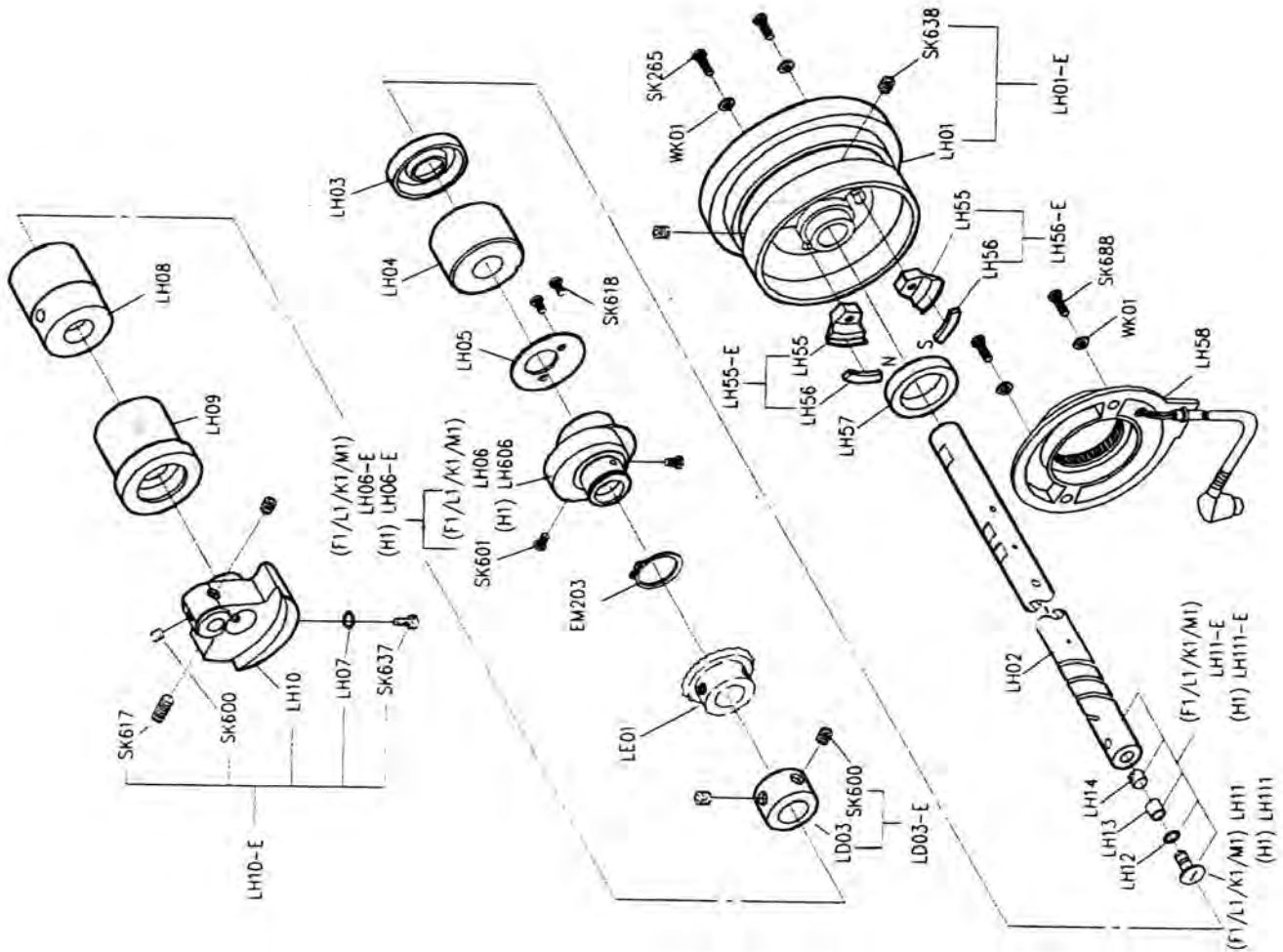
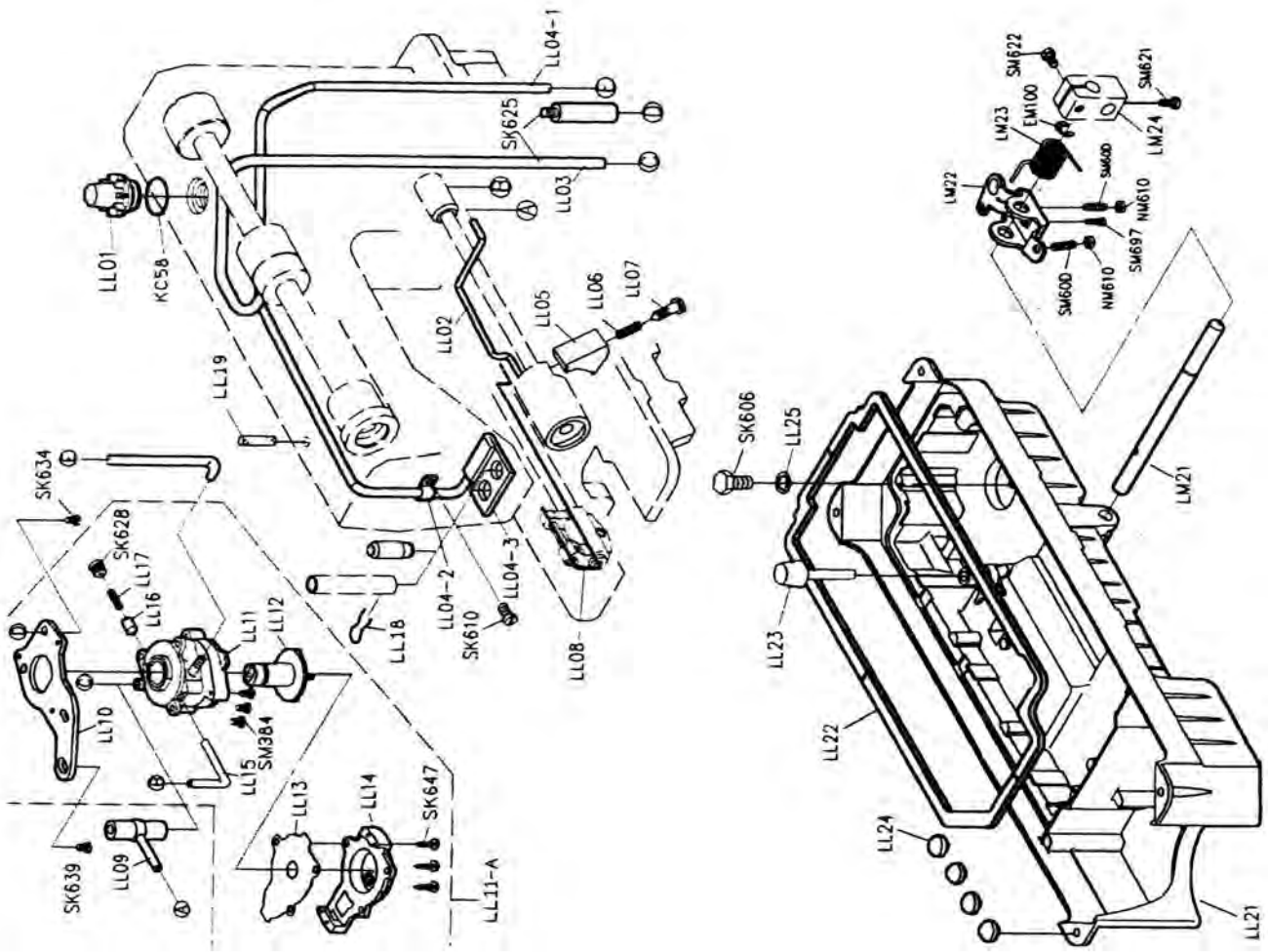
RICAMBI SIRUBA



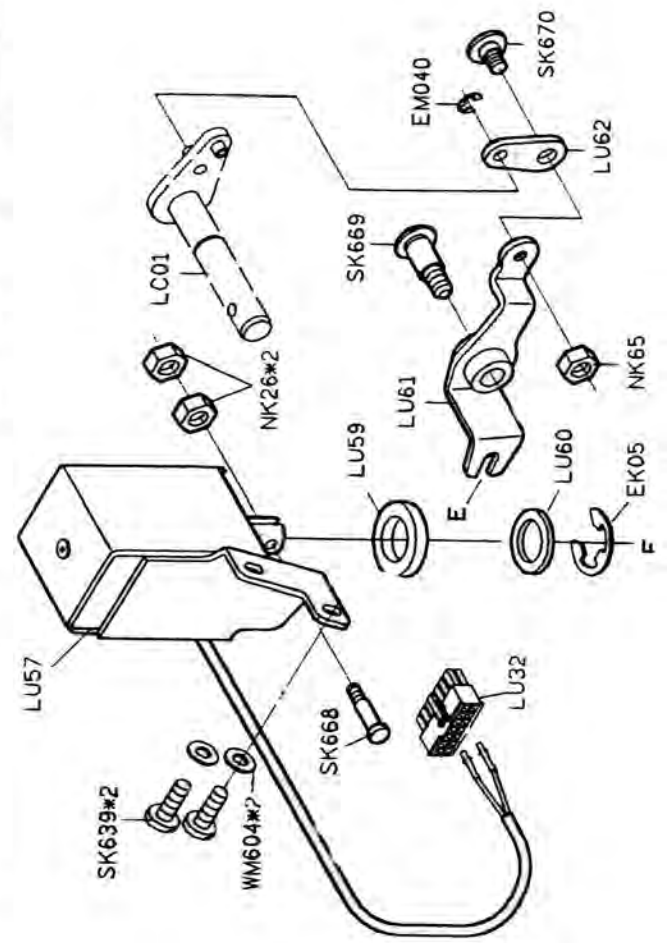
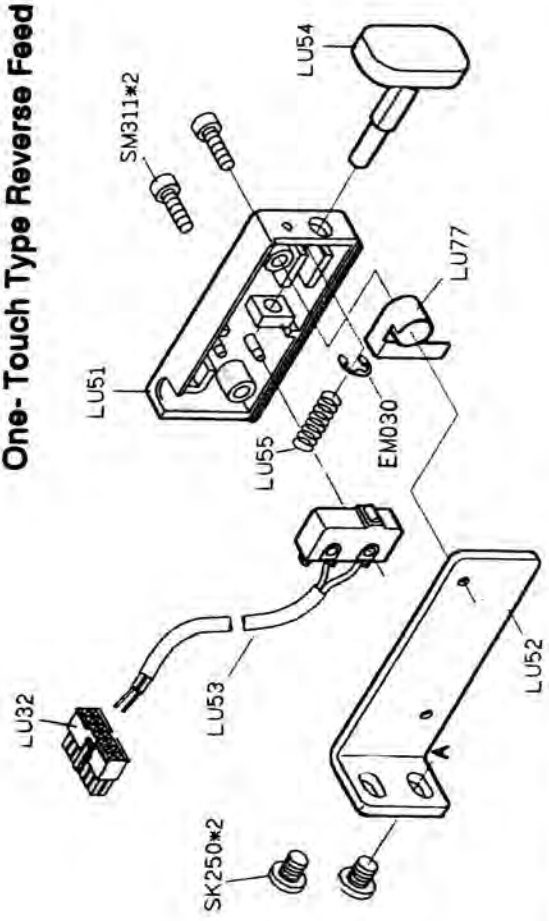
RICAMBI SIRUBA



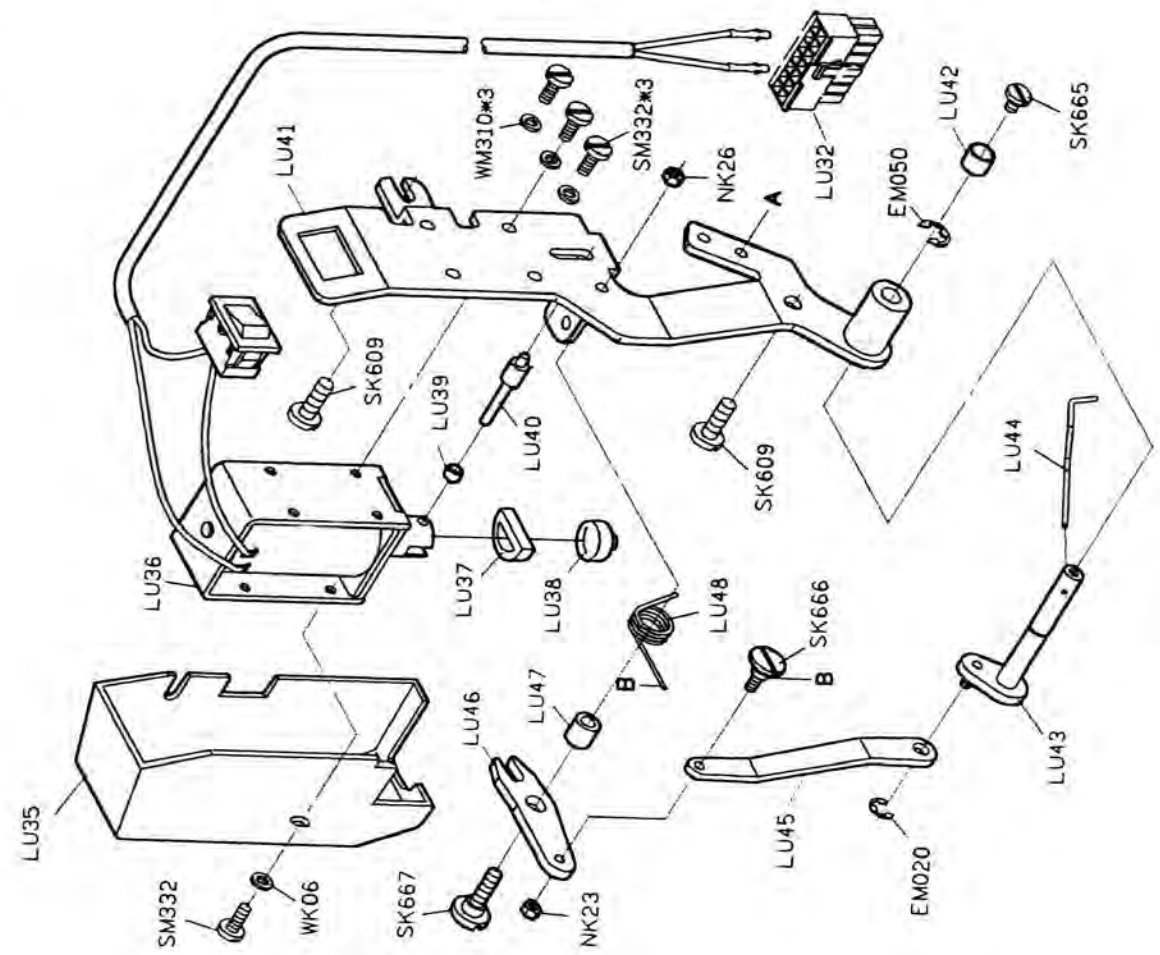
RICAMBI SIRUBA



One-Touch Type Reverse Feed

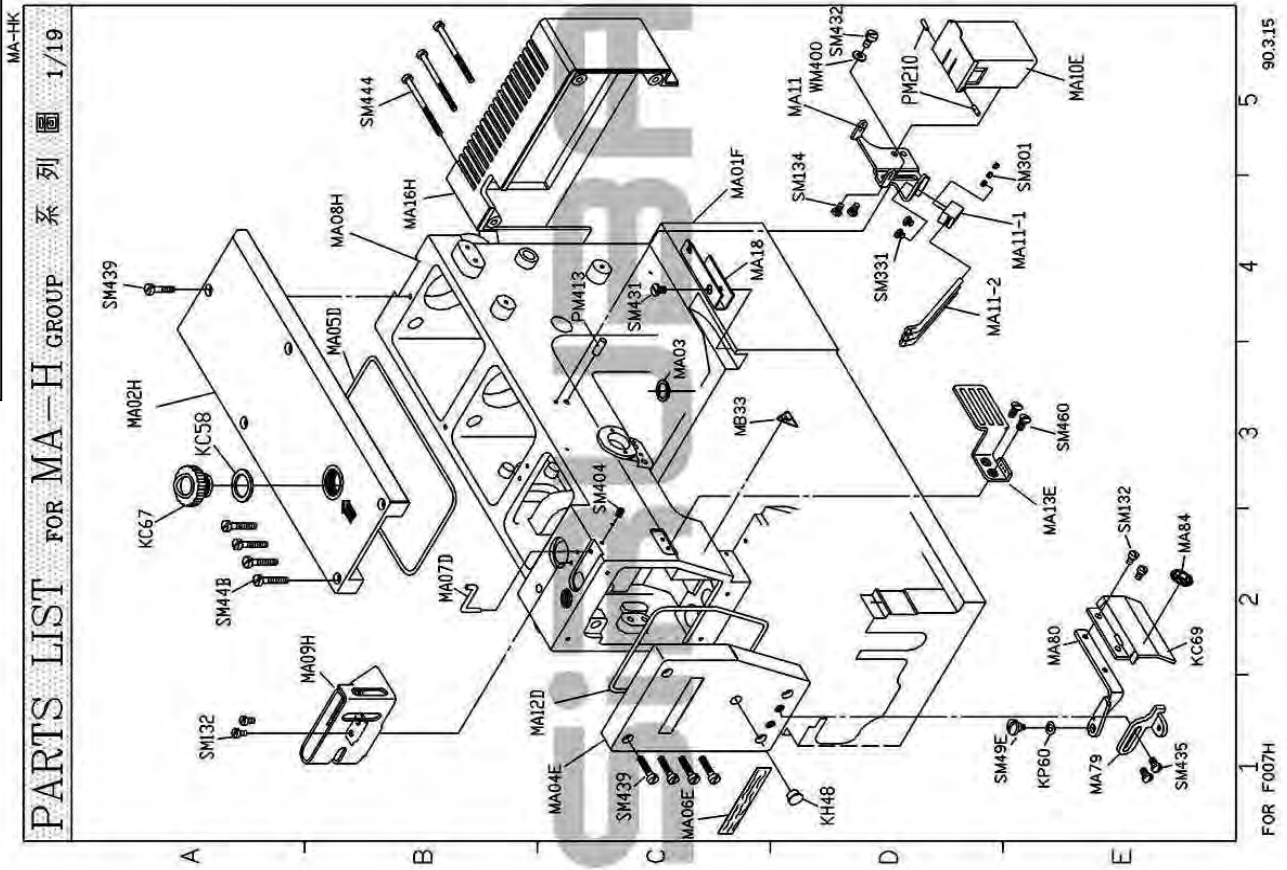
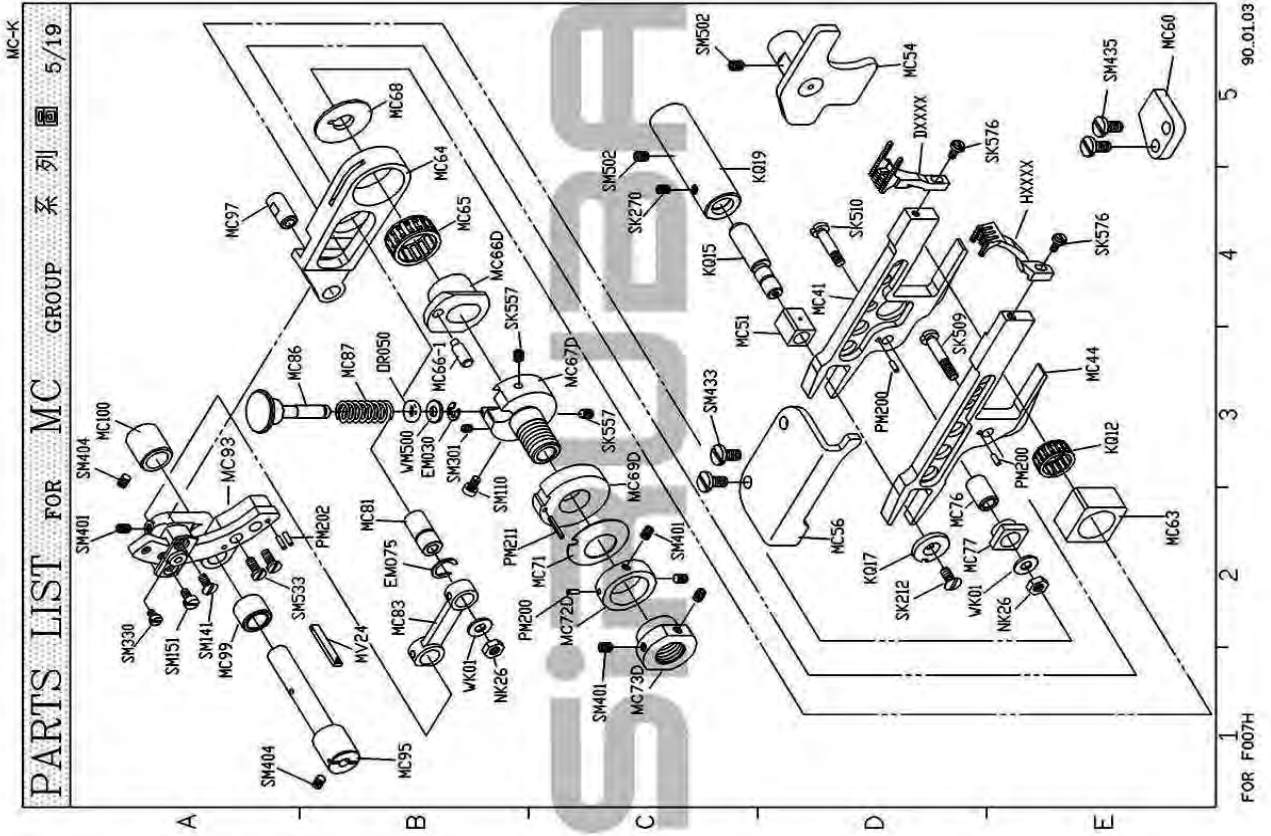


Three Wiper

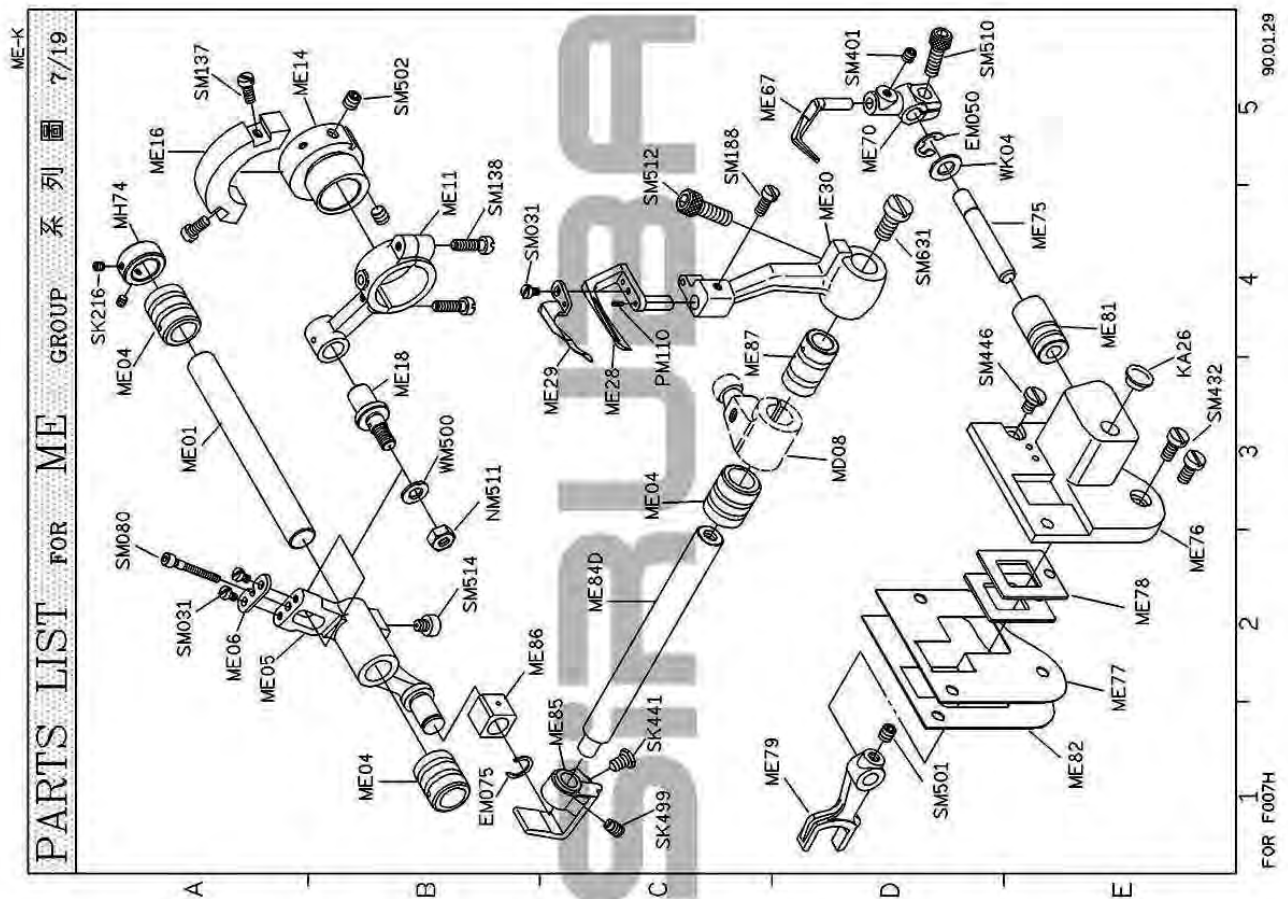
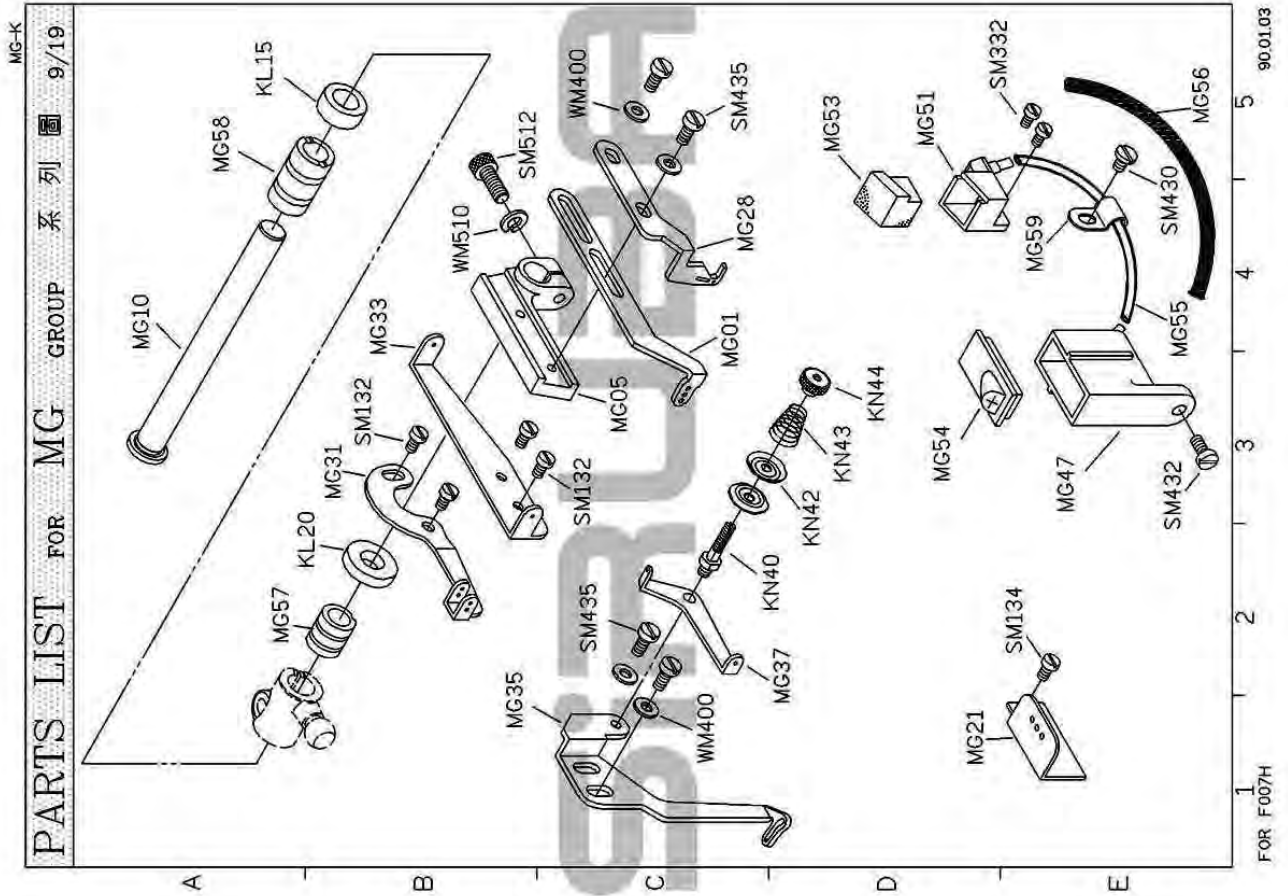


RICAMBI SIRUBA

RICAMBI SIRUBA F007



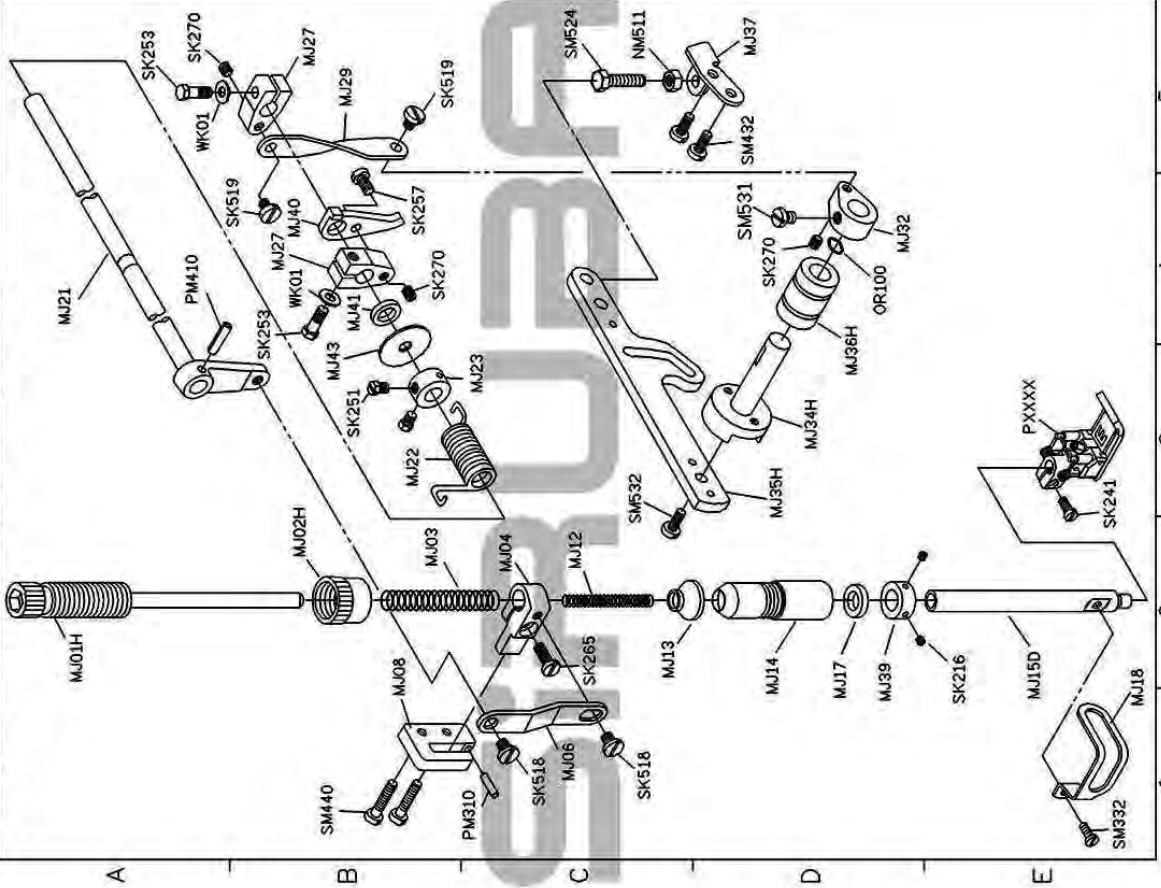
RICAMBI SIRUBA



RICAMBI SIRUBA

MJ-HK

PARTS LIST FOR MJ-H GROUP 系列圖 11/19

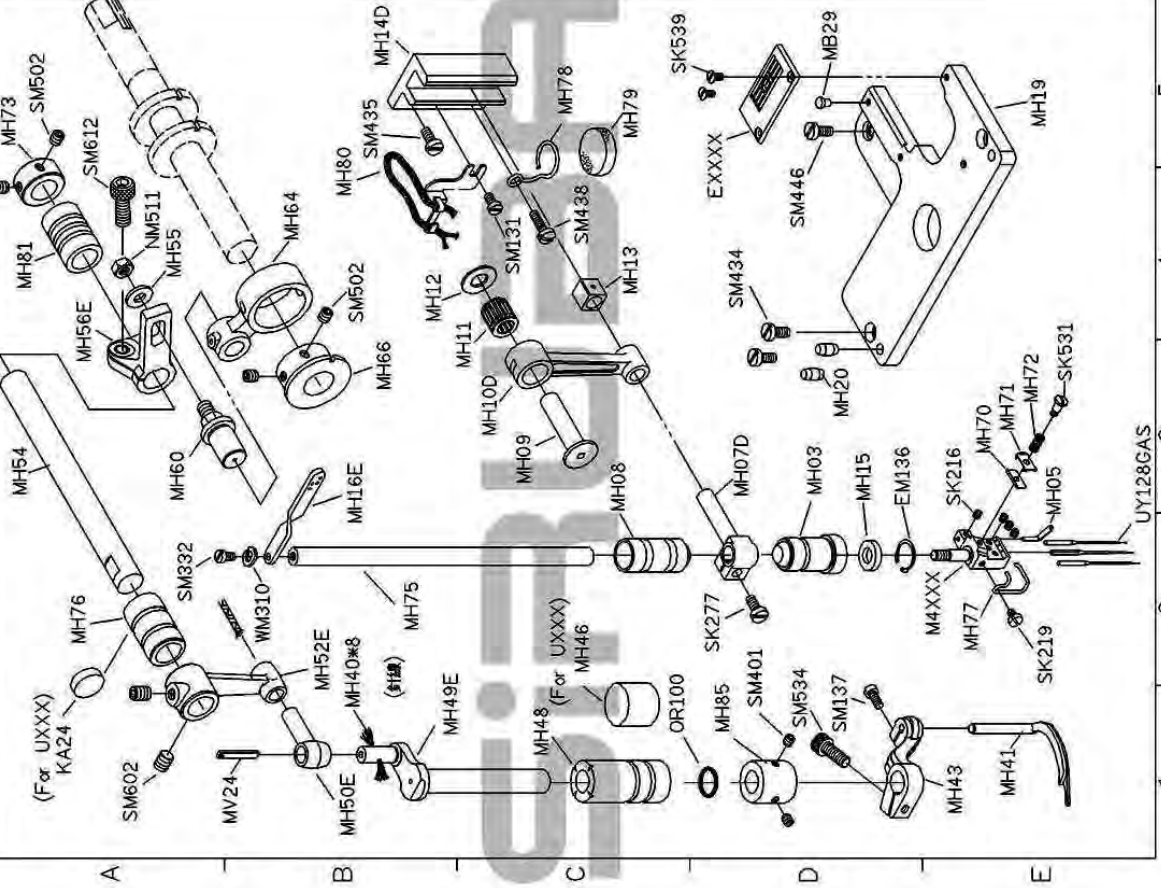


FOR F007H 5 4 3 2 1

90.06.27

MH-K

PARTS LIST FOR MH GROUP 系列圖 10/19



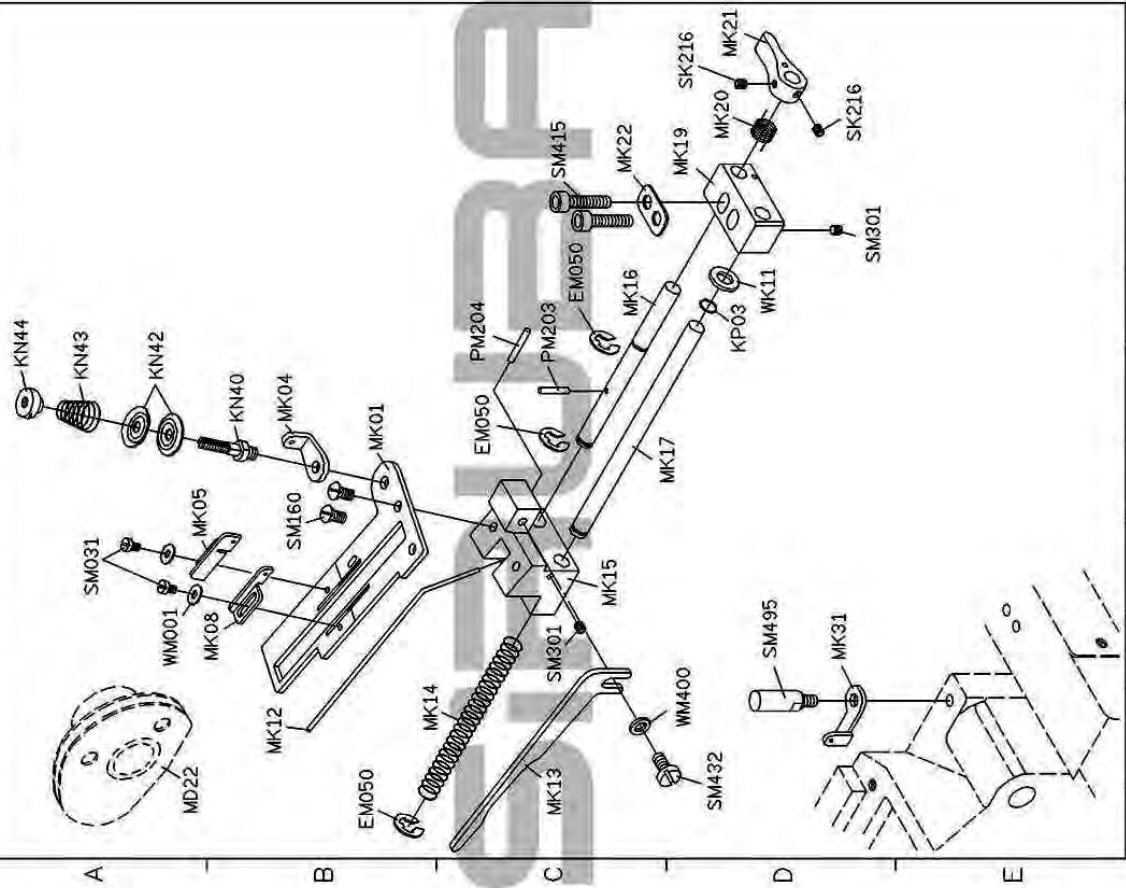
FOR F007H 5 4 3 2 1

90.02.08

RICAMBI SIRUBA

MK-HK

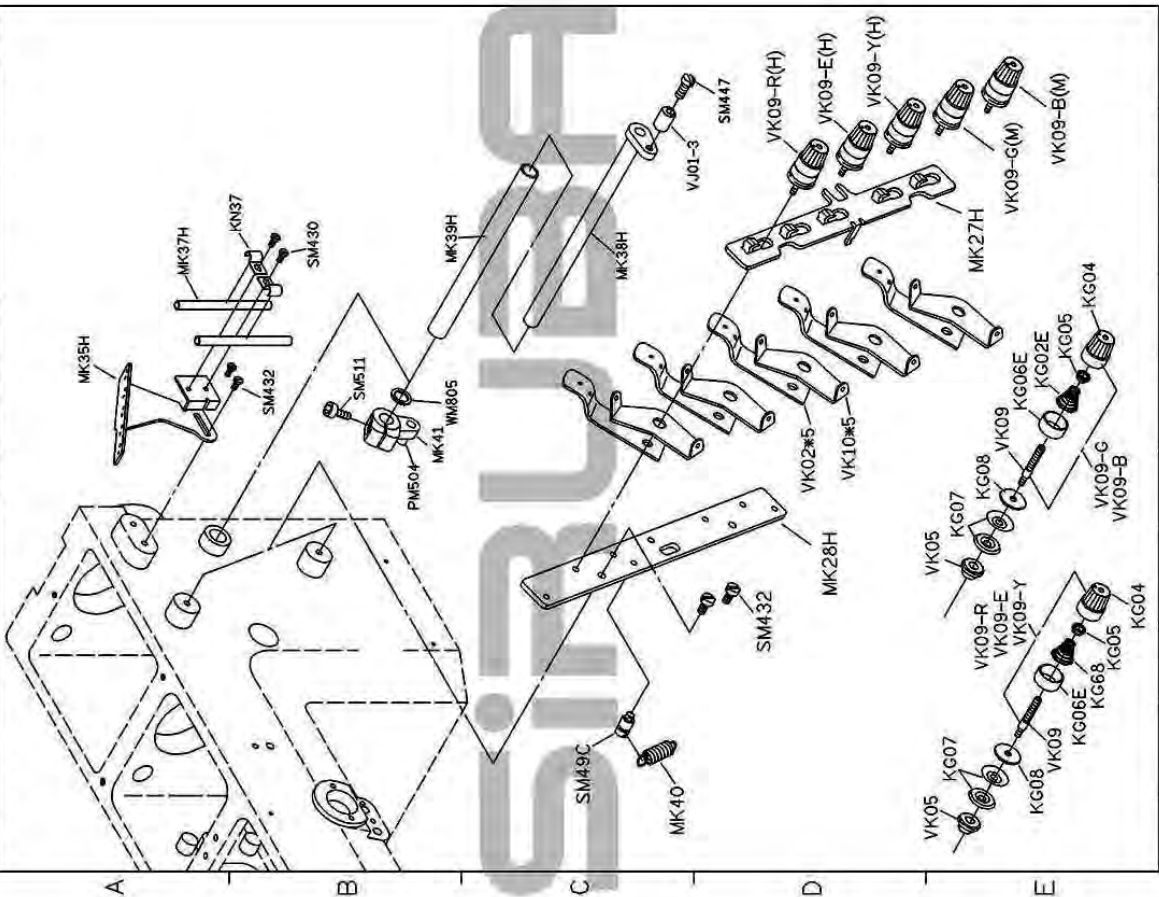
PARTS LIST FOR MK GROUP 系列 13/19



FOR F007H 1 2 3 4 5 90.01.05

MK-HK

PARTS LIST FOR MK-H GROUP 系列 12/19

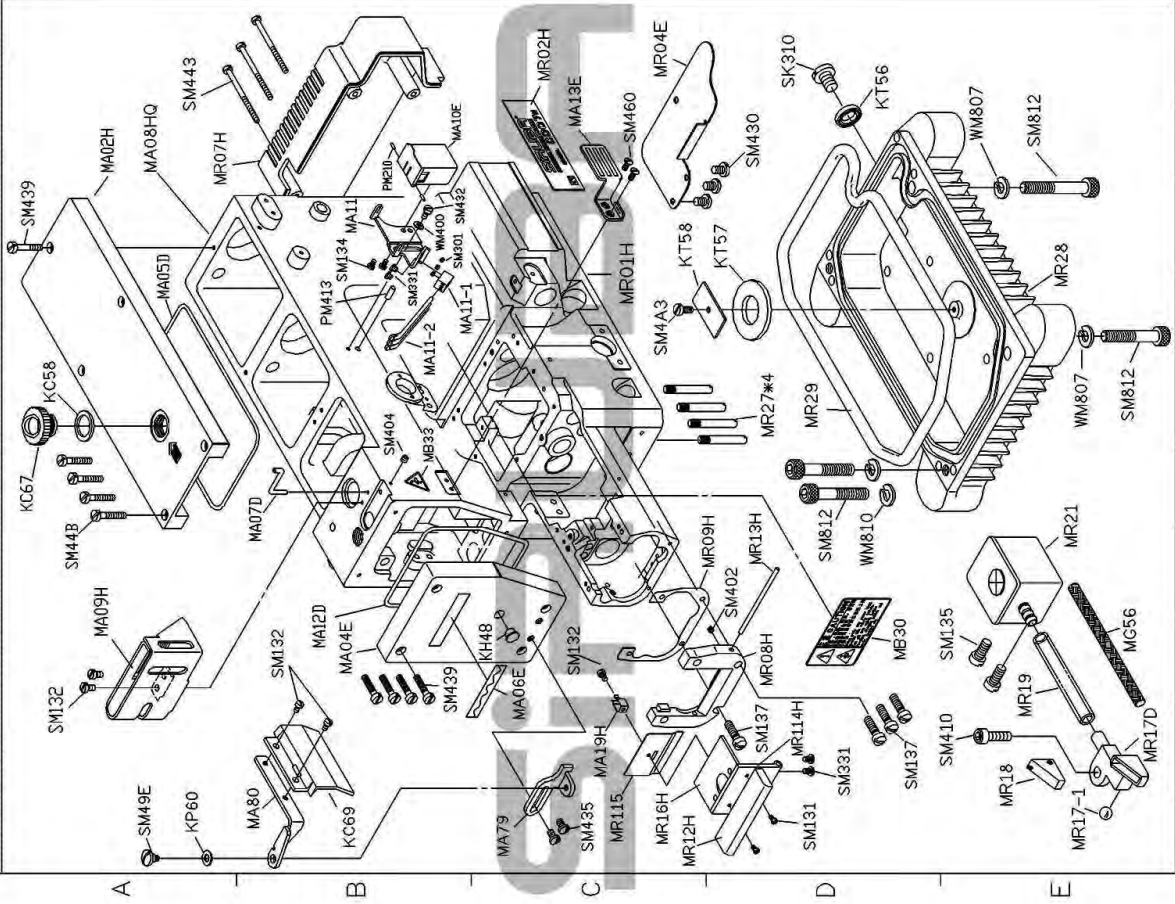


FOR C007H/F007H 1 2 3 4 5 90.01.05

RICAMBI SIRUBA

MR-HK

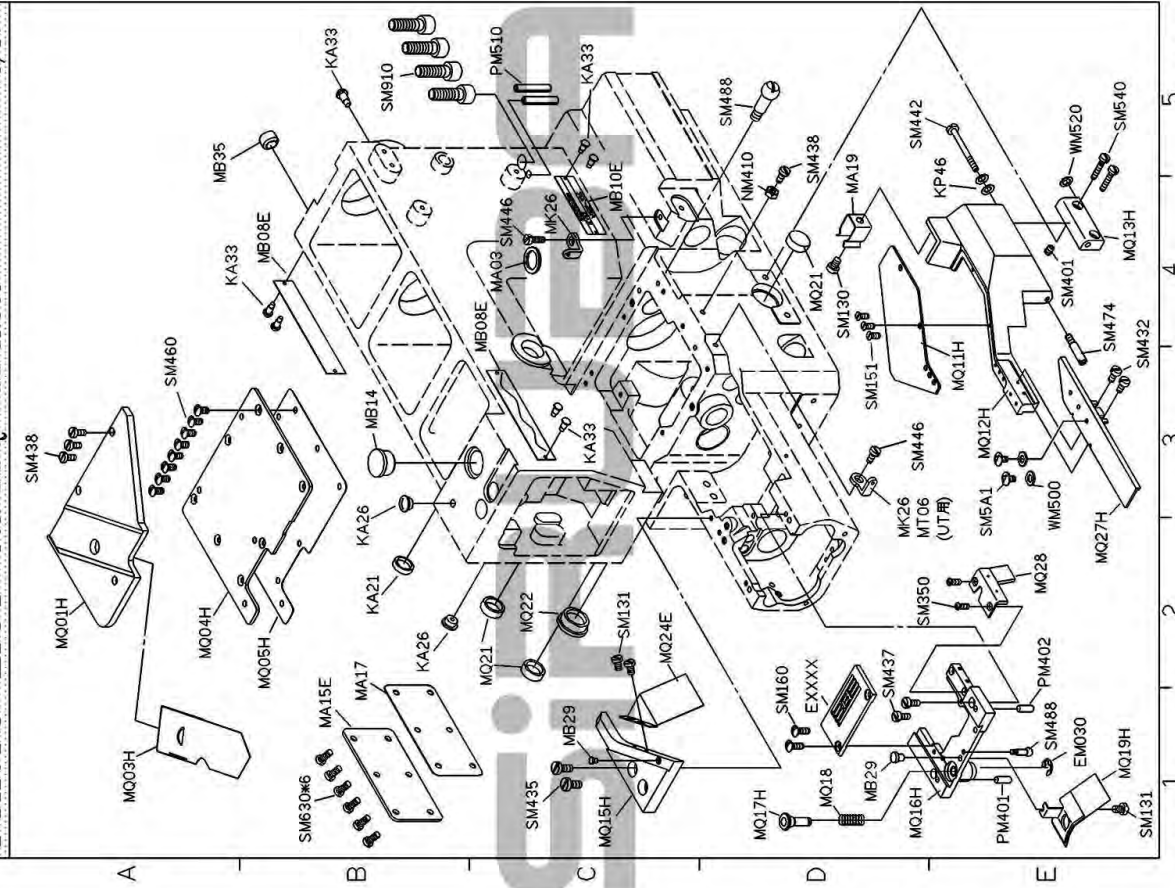
PARTS LIST FOR MR-H GROUP 系列圖 9/17



FOR C007H 1 2 3 4 5 90.03.15

MQ-HK

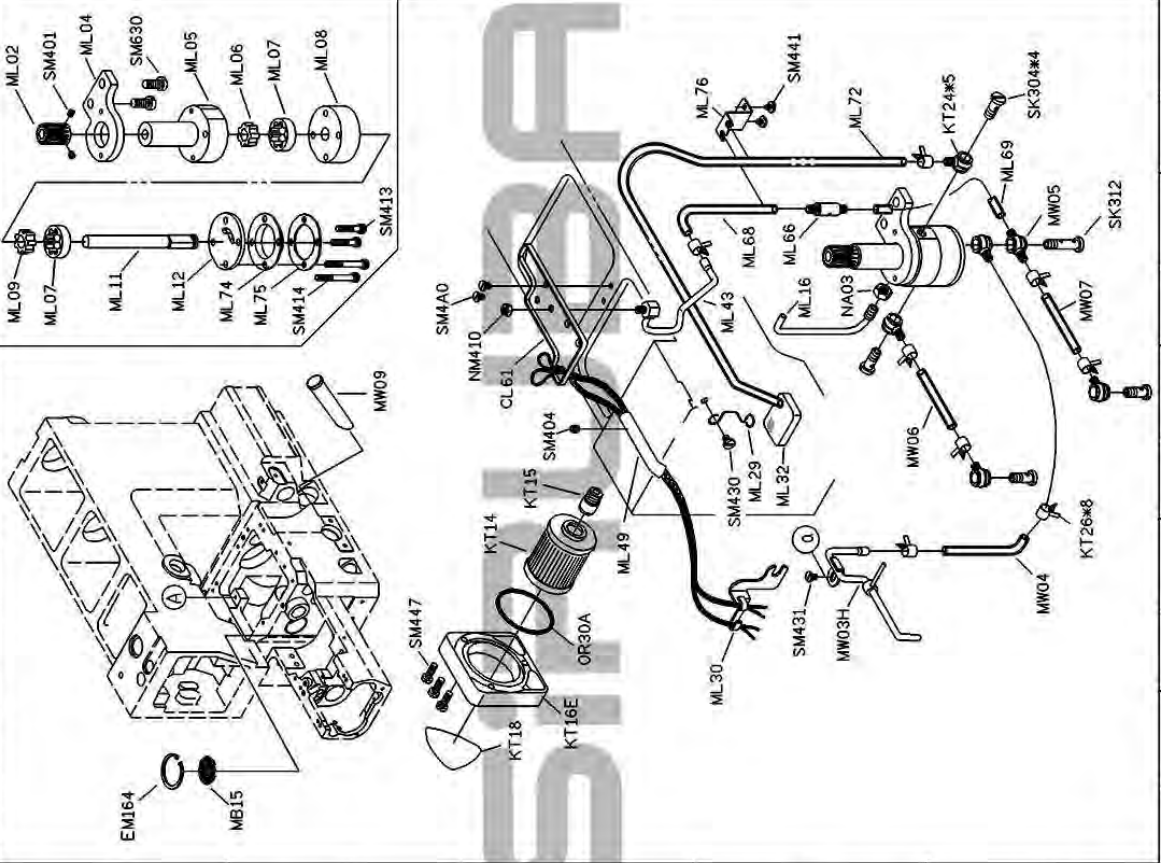
PARTS LIST FOR MQ-H GROUP 系列圖 8/17



FOR C007H 1 2 3 4 5 90.12.05

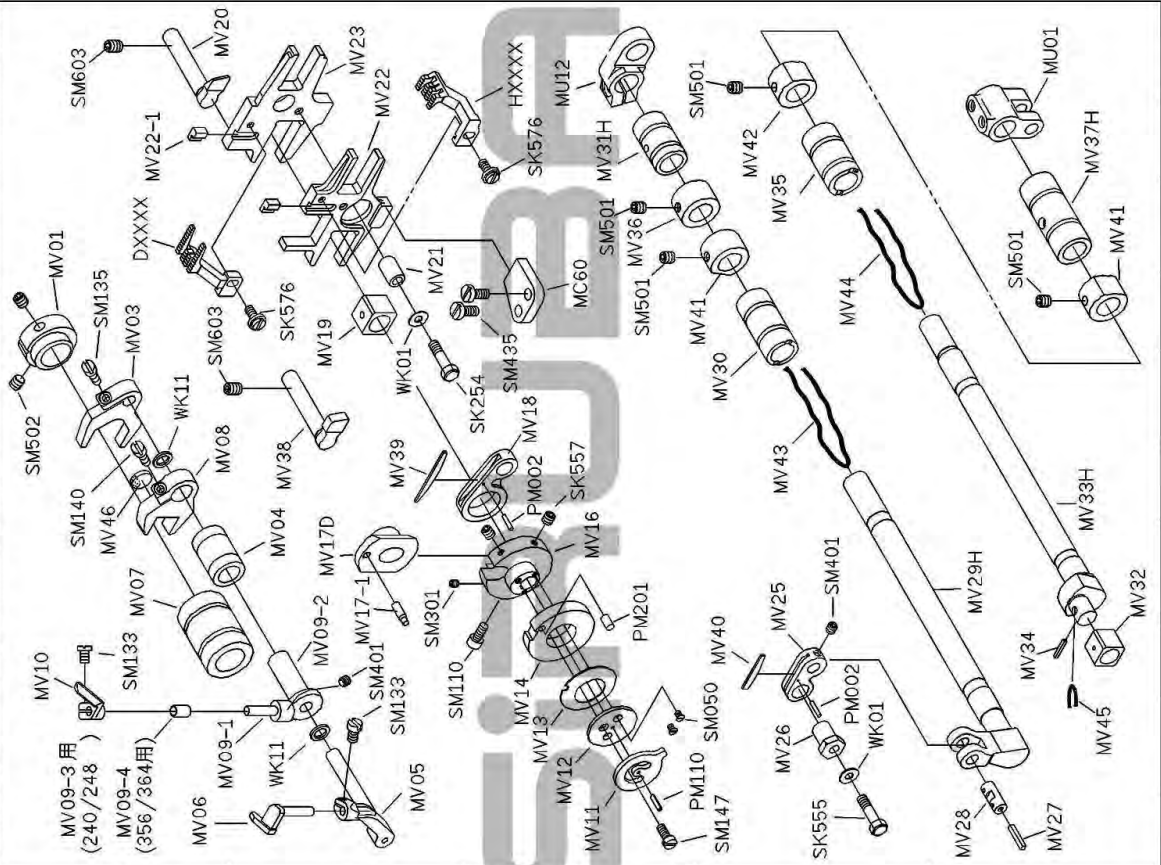
RICAMBI SIRUBA

PARTS LIST FOR MW-H GROUP 系列圖 14/17
 MW-HK



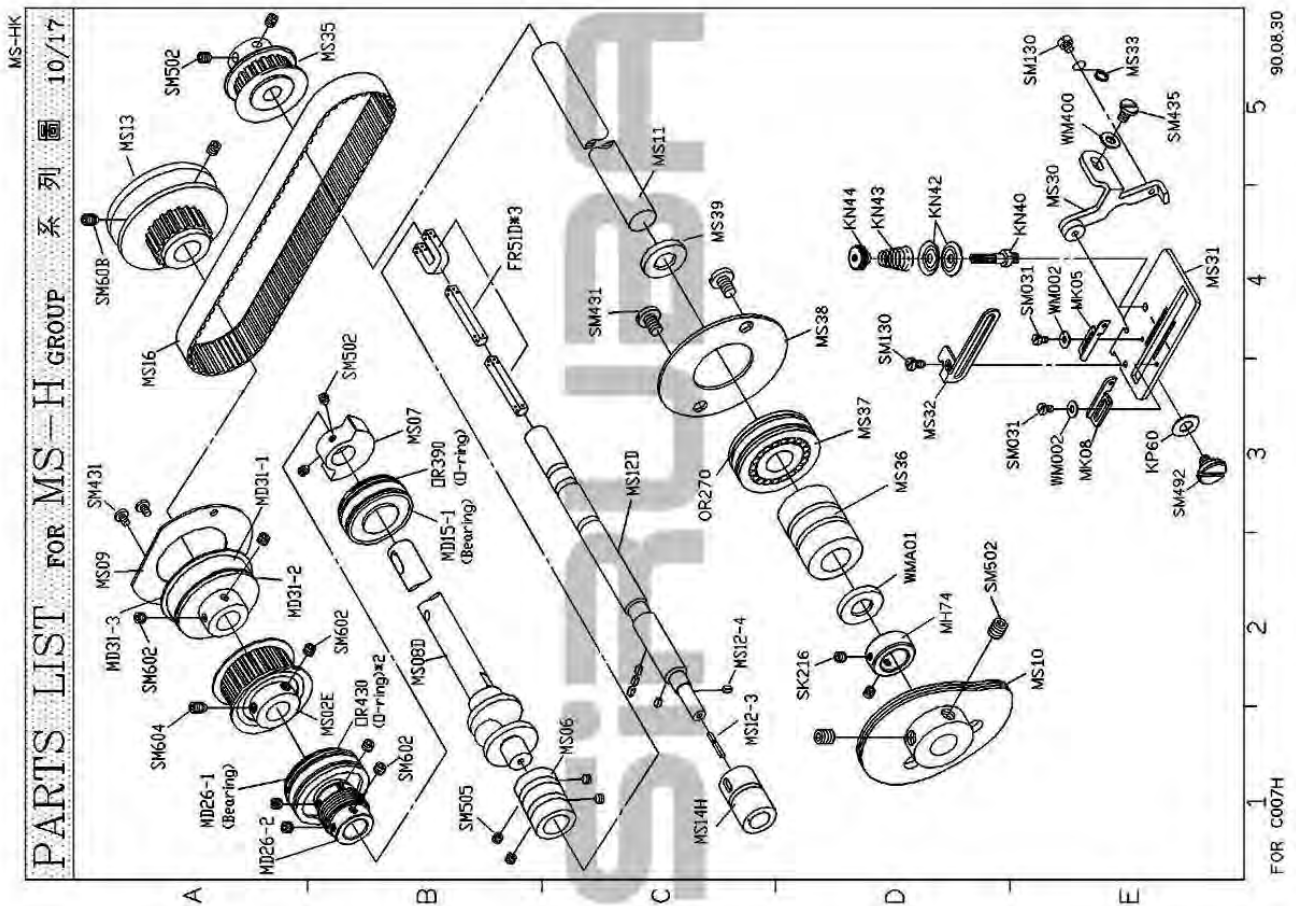
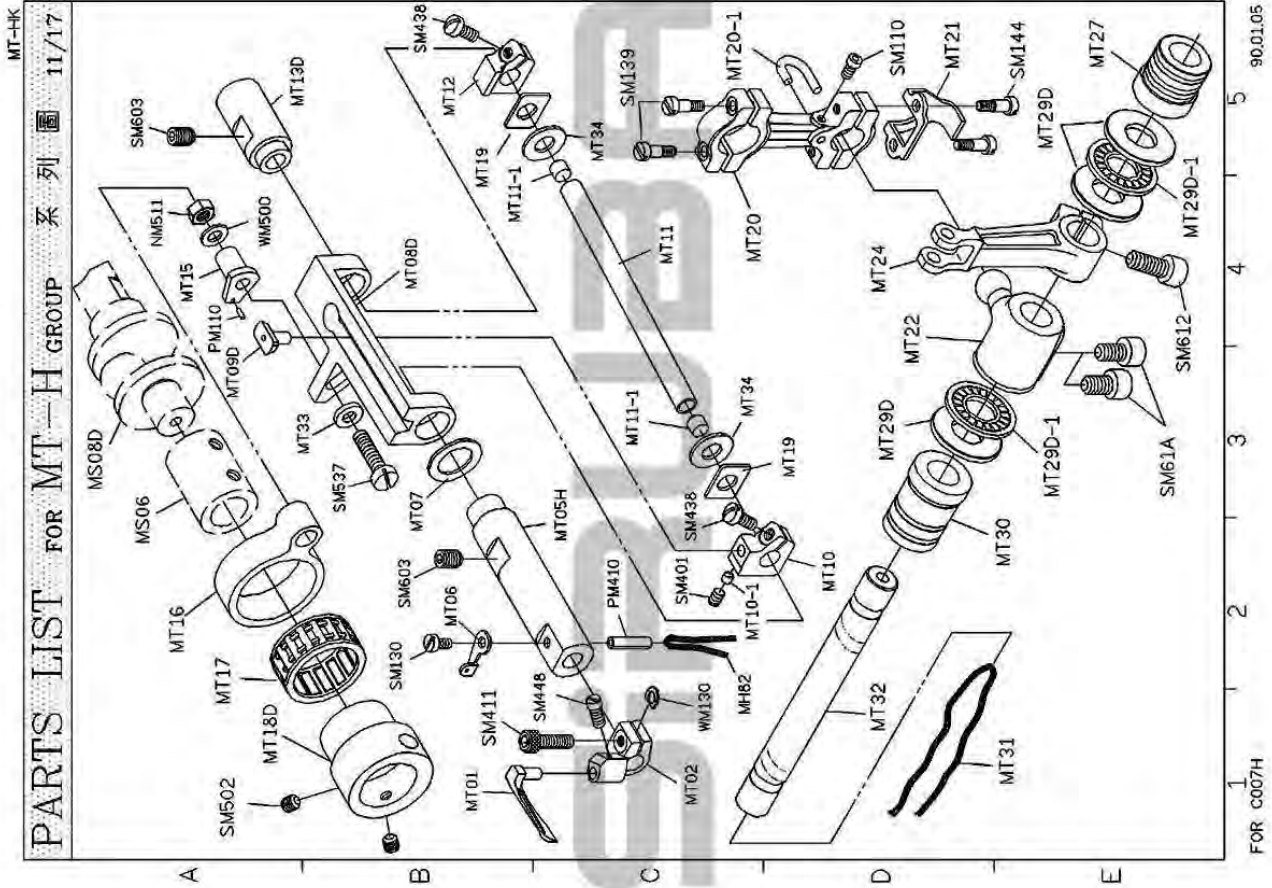
FOR C007H 90.10.19

PARTS LIST FOR MV-H GROUP 系列圖 13/17
 MV-HK


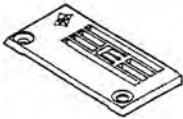
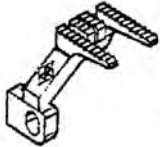
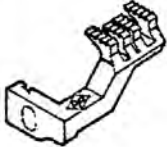

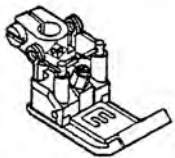


FOR C007H 90.03.15


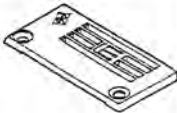



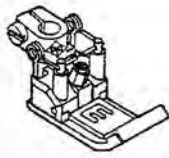
RICAMBI SIRUBA




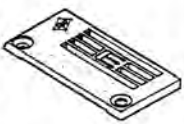
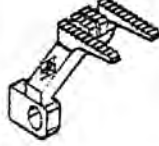


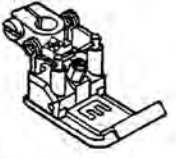
RICAMBI SIRUBA

GAUGE SET	size	Throat Plate	Main Feed Dog	Diff Feed Dog	Needle Clamp	Presser foot asm.
C007E-						
	mm					
W122/CH W122/CH/UTP(UTR)	240	E3524P	D4206	H4258	M4240	P0024
	248	E3525P			M4248	P0025
	256	E3826S			M4356	P0216
	356	E3826P			M4356	P0216
	364	E3827P	D4207	H4259	M4364	P0217
U122/CH U122/CH/UTQ(UTS)	240	E3524P	D4206	H4258	M4240	P0314
	248	E3525P			M4248	P0315
	256	E3826S			M4356	P0416
	356	E3826P			M4356	P0416
	364	E3827P	D4207	H4259	M4364	P0417
W132/CHE W132/CHE/UTP(UTR)	240	E2326	D2109	H2219	M4240	P2906
	248	E2327			M4248	P2907
	356	E2326	D2110	H2220	M4356	P2906
	364	E2327			M4364	P2907
W152/CZ/CL/UTP/RLQ U152/CZ/CL/UTQ/RLQ	356	E4326P	D3216	H3262	M4356	P2416
	364	E4327P	D3217	H3263	M4364	P2417
W222/CQ	240	E4124P	D3216	H3362	M4240	P1814
	248	E4125P			M4248	P1815
	356	E4426P			M4356	P2116
	364	E4427P	D3217	H3363	M4364	P2117
U222/CQ	240	E4124P	D3216	H3362	M4240	P2314
	248	E4125P			M4248	P2315
	356	E4426P			M4356	P2616
	364	E4427P	D3217	H3363	M4364	P2617
W322/CC U322/CC W322/CC/UTP(UTR) U322/CC/UTQ(UTS)	356	E2826P	D2107L	H3259M	M4356	P1406
	364	E2827P			M4364	P1407
W322/CD W322/CD/UTP(UTR)	356	E3626P	D4206	H4158	M4356	P1406
	364	E3627P	D4207	H4159	M4364	P1407
U322/CD U322/CD/UTQ(UTS)	356	E3626P	D4206	H4158	M4356	P1606
	364	E3627P	D4207	H4159	M4364	P1607


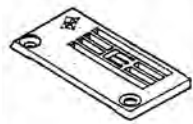



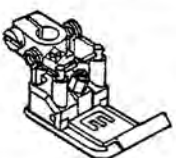
RICAMBI SIRUBA

GAUGE SET	size	Throat Plate	Main Feed Dog	Diff Feed Dog	Needle Clamp	Presser foot asm.
F007E-						
	mm					
W122 W122/UTG(UTJ)	240	E1524	D1206	H1258	M4240	P0024
	248	E1525			M4248	P0025
	356	E1826	D1207	H1259	M4356	P0216
	364	E1827			M4364	P0217
U122 U122/UTH(UTK)	240	E1524	D1206	H1258	M4240	P0314
	248	E1525			M4248	P0315
	356	E1826	D1207	H1259	M4356	P0416
	364	E1827			M4364	P0417
F007F-U122/FP	232	E1623	D1206	H1257	M4232	P4011
W123 W123/UTG(UTJ)	240	E1534	D1206	H1258	M4240	P0024
	248	E1535			M4248	P0025
	356	E1836	D1207	H1259	M4356	P0216
	364	E1837			M4364	P0217
W162 W162/UTG(UTJ)	356	E1846	D1207	H1259	M4356	P0226
	364	E1847			M4364	P0227
W222/FQ W222/FQ/FE/FAC W222/FFD(FFP)	240	E3024	D1215	H1261	M4240	P1814
	248	E3025			M4248	P1815
	356	E3326	D1216	H1262	M4356	P2116
	364	E3327			M4364	P2117
U222/FQ U222/FFD(FFP)	240	E3024	D1215	H1261	M4240	P2314
	248	E3025			M4248	P2315
	356	E3326	D1216	H1262	M4356	P2616
	364	E3327			M4364	P2617
W222A/FQ/FEC(FAC)	240	E3124	D1315	H1261	M4240	P1914
	248	E3125			M4248	P1915
	356	E3426	D1316	H1262	M4356	P2216
	364	E3427			M4364	P2217
W223	240	E3034	D1215	H1261	M4240	P1814
	356	E3336	D1216	H1262	M4356	P2116
	364	E3337			M4364	P2117
W322/FDC W322/UTG(UTJ)/FDC	356	E4826	D1207	H1359	M4356	P1406
	364	E4827			M4364	P1407
U322/FDC U322/UTH(UTK)/FDC	356	E4826	D1207	H1359	M4356	P1606
	364	E4827			M4364	P1607
W322/FDE W322/UTG(UTJ)/FDE	356	E4836M	D1207	H1459	M4356	P2406
	364	E4837M			M4364	P2407

RICAMBI SIRUBA

GAUGE SET	size	Throat Plate	Main Feed Dog	Diff Feed Dog	Needle Clamp	Presser foot asm.
C007E-						
	mm					
W322/CE U322/CE	356	E2626P	D2107	H3159	M4356	P1406
	364	E2627P			M4364	P1407
W322/CE/UTP(UTR)	356	E2626P	D2107	H3159	M4356	P1406
	364	E2627P			M4364	P1407
U322/CE/UTQ(UTS)	356	E2626P	D2107	H3159	M4356	P1606
	364	E2627P			M4364	P1607
U322/CF U322/CF/UTQ(UTS)	248	E2625P	D2106	H3158	M4348	P1605
W512/FE(FFC)	240	E3524	D4206	H4258	M4240	P2914
	356	E3826			M4356	P3216
	364	E3827	D4207	H4259	M4364	P3217
U512/FE(FFC)	240	E3524	D4206	H4258	M4240	P3414
	356	E3826			M4356	P3716
	364	E3827	D4207	H4259	M4364	P3717
W522/FE(FFC)/CRA/CL W522/FE(FFC)/CRB/CL U522/FE(FFC)/CRA/CL U522/FE(FFC)/CRB/CL	356	E6426	D3222	H3268	M4356	P3826
	364	E6427			M4364	P3827
W532/CRA/UTP/CL/RLP/CX U532/CRA/UTQ/CL/RLP/CX	356	E6426	D3222	H3268	M4356	P3816
	364	E6427			M4364	P3817
W542/CFC(CFE)/CL U542/CFC(CFE)/CL	240	E2324	D2109	H2219	M4240	P2904
	248	E2325			M4248	P2905
	356	E2326	D2110	H2220	M4356	P2906
	364	E2327			M4364	P2907
W812/CRL/RL W812/CRL/CHP/RL W812/CRL/CHP/UTP/RL W822/CRL/CY/CL/RL W822/CRL/CY/UTP/CL/RL	356	E0226P	D2101	H2203	M4356	P2766
	364	E0227P	D2101	H2203	M4364	P2767
U812/CRL/RL U812/CRL/CHP/RL U812/CRL/CHP/UTQ/RL U822/CRL/CY/CL/RL U822/CRL/CY/UTQ/CL/RL	356	E0226P	D2101	H2203	M4356	P0966
	364	E0227P	D2101	H2203	M4364	P0967

RICAMBI SIRUBA

GAUGE SET	size	Throat Plate	Main Feed Dog	Diff Feed Dog	Needle Clamp	Presser foot asm.
F007E-						
	mm					
U322/FDE U322/UTH(UTK)/FDE	356	E4836M	D1207	H1459	M4356	P2606
	364	E4837M			M4364	P2607
W512/FE(FFC)	240	E1524	D1206	H1258	M4240	P2914
	248	E1525			M4248	P2915
	356	E1826	D1207	H1259	M4356	P3216
	364	E1827			M4364	P3217
U512/FE(FFC)	240	E1524	D1206	H1258	M4240	P3414
	248	E1525			M4248	P3415
	356	E1826	D1207	H1259	M4356	P3716
	364	E1827			M4364	P3717
W522/FE(FFC)/FR	240	E6024	D2221	H2267	M4240	P2814
	248	E6025			M4248	P2815
	356	E6326	D2222	H2268	M4356	P3116
	364	E6327			M4364	P3117
U522/FE(FFC)/FR	240	E6024	D2221	H2267	M4240	P3314
	248	E6025			M4248	P3315
	356	E6326	D2222	H2268	M4356	P3616
	364	E6327			M4364	P3617
U612/FBP	256	E1826	D1207	H1259	M4356	P4000
	264	E1827			M4364	P4001
U612/FBQ	256	E1826	D5001	H5001	M4356	P4000
		E4001				P4002
	264	E1827			M4364	P4001
		E4001				P4002
U613/FBP	256	E1836L	D1207	H1259	M4356	P4000
	264	E1837L			M4364	P4001
U613/FBQ	256	E1836L	D5001	H5001	M4356	P4000
		E4001				P4002
	264	E1837L			M4364	P4001
		E4001				P4002
U712	264	E5827	D5207	H5259	M5264	P4117
U712/FSP	264	E5827	D5207	H5259	M5264	P5117
U712/FSR	264	E5927	D5307	H5359	M5264	P4217
W722/FY	388	E6828	D6207	H6259	M4388	P6117
W922/FW(FWP)	460	E1828	D1207	H1259	M4460	P2408