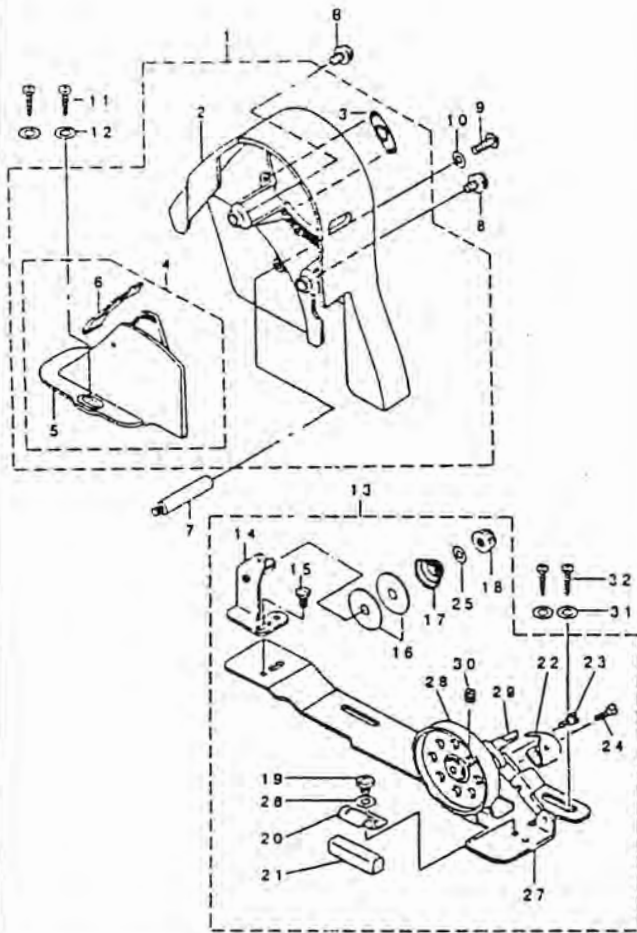


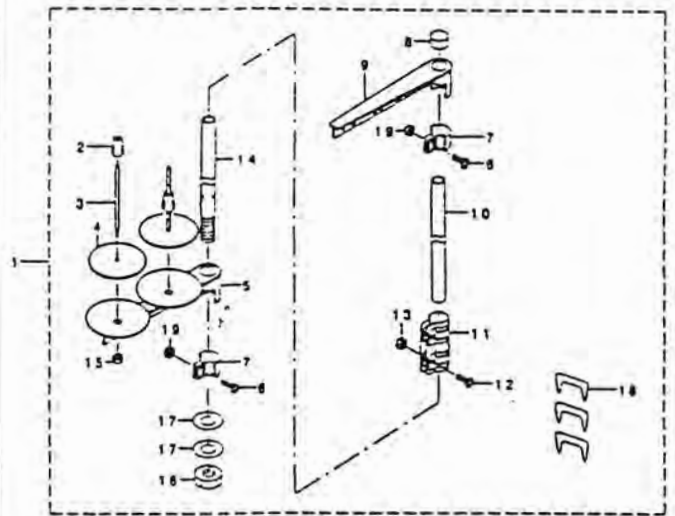
RICAMBI JUKI DDL-5550 N-7

11. BELT COVER & BOBBIN WINDER COMPONENTS



REF. NO.	NOTE	PART NO.	DESCRIPTION	Qty.
1		110-76450	BELT COVER ASM. (URBANE GREY)	1
2		110-76401	BELT COVER A	(1)
3		110-76790	BELT COVER A CAP	(1)
4		110-76458	BELT COVER B ASM.	(1)
5		110-76409	BELT COVER B	(1)
6		110-75957	BELT COVER C CAP ASM.	(1)
7		110-23504	BELT COVER SUPPORT, A	2
8		110-25202	BELT COVER A SCREW	2
9		38-4121115-SP	SCREW 3/16-28 L-14	1
10		WF-0501016-SD	WASHER 1X10.5X1	1
11		SK-5412060-SC	VOCS SCREW D=4.1 L=20	2
12		WF-0450428-SC	WASHER 4.5X10.5X.8	2
13		110-72567	BOBBIN WINDER COMPL.	1
14		110-74250	THREAD TENSION BRACKET ASM.	(1)
15		SS-7110840-SP	SCREW 11/64-40 L-7.8	(1)
16		SS124-7117-000	THREAD TENSION JIB	(2)
17		R3129-018-800	THREAD TENSION SPRING	(1)
18		110-72204	TENSION NUT	(1)
19		SS-4110515-SP	SCREW 11/64-40 L-3.8	(1)
20		110-78102	PROFESSOR PLATE	(1)
21		R3217-625-000	ADJUSTER BRIDGE	(1)
22		110-78003	POSITIONING FINGER	(1)
23		3D-0430261-SP	HINGE SCREW D=4.9 H=2.8	(1)
24		SS-7081310-SP	SCREW 1/8-44 L-10.3	(1)
25		WF-0651061-SD	WASHER	(1)
26		WF-0430252-SP	WASHER 4.5X8.1X0.8	(1)
27		110-72508	BOBBIN BASE	(1)
28		110-77608	BOBBIN PULLEY	(1)
29		R3204-685-000	BOBBIN WINDER POST	(1)
30		SS-8110510-SP	SCREW 11/64-40 L-6	(1)
31		WF-0450428-SC	WASHER 4.5X10.5X.8	2
32		SK-5412060-SC	VOCS SCREW D=4.1 L=20	2

12. THREAD STAND COMPONENTS



REF. NO.	NOTE	PART NO.	DESCRIPTION	Qty.
1		111-85055	THREAD STAND ASM.	1
2		111-85501	SPOOL RETAINER	(2)
3		R3320-704-250-A	SPOOL PIN	(2)
4		R3311-012-000	SPOOL REST CUSHION	(2)
5		111-95004	SPOOL REST ARM	(1)
6		SW-4051405-SE	SCREW M6 L-16	(2)
7		111-85402	THREAD GUIDE ARM JOINT	(2)
8		R3311-704-000	SPOOL REST ROD RUBBER CAP	(1)
9		111-85352	THREAD GUIDE ASM.	(1)
10		111-85204	SPOOL REST ROD, UPPER	(1)
11		R3305-704-000-A	SPOOL REST ROD JOINT	(1)
12		SW-4051405-SE	SCREW M5 L-14	(2)
13		NW-6050007-SE	NUT M5	(2)
14		111-85105	SPOOL REST ROD, LOWER	(1)
15		NW-6050007-SE	NUT M5	(2)
16		R3317-704-000	NUT	(1)
17		WF-161267-6-SE	WASHER 17X30X2.6	(2)
18		MAO-11532-000	CORD STAPLE	(2)
19		NW-6050007-SE	NUT M5	(2)



Filarelli da banco carterizzati Juki

D3201-555-DAO