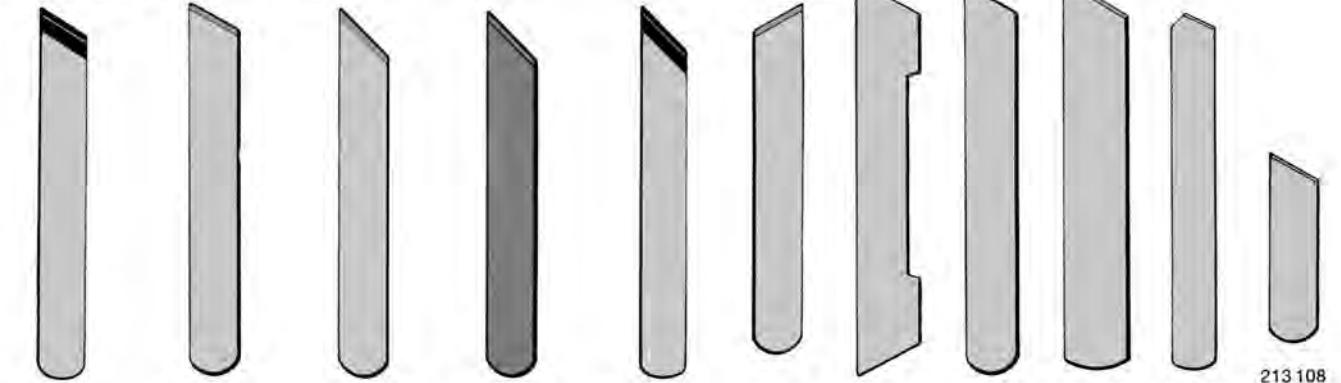


CROCHET – COLTELLI PEGASUS / W&G

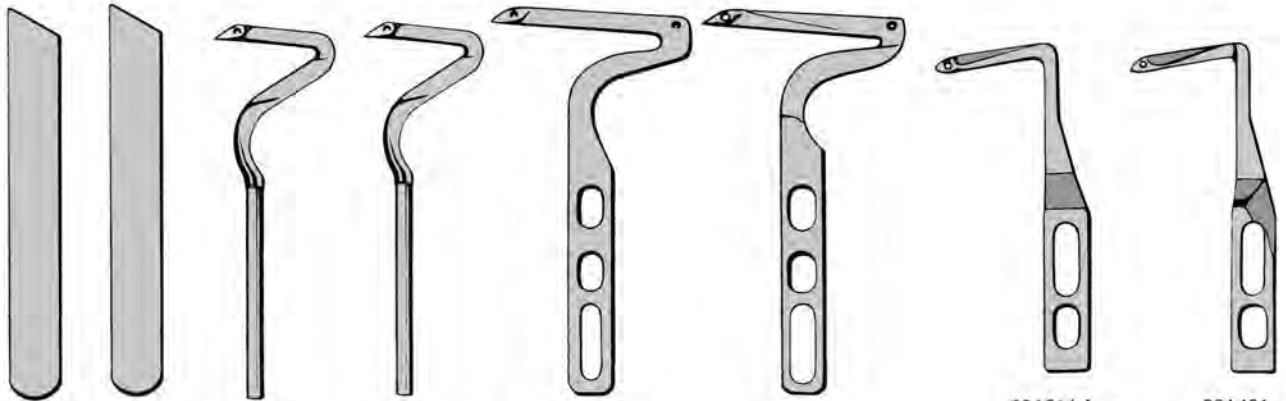
DCR 601, 801, 901, 905
E22, E22L, E32, E32L, E51, E52, E52L, E54, E256
ETS32, ETS32L, ETS51, ETS52
EX/EXT 3200, 5200 Series

L32, L52
R53, R57
S22, S32, S52
W&G

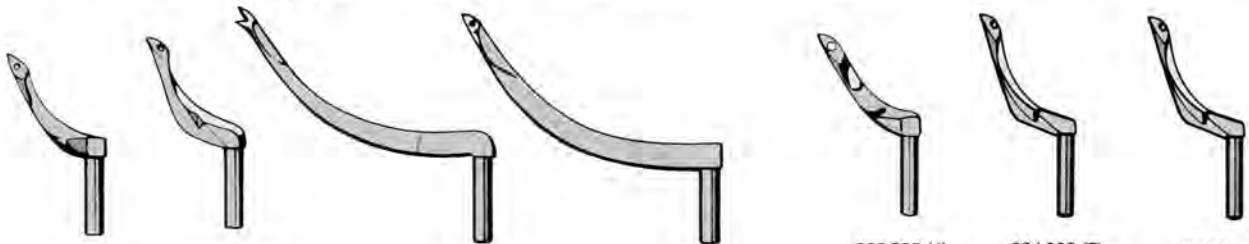
LX 3200, 5200
M 600, M 700



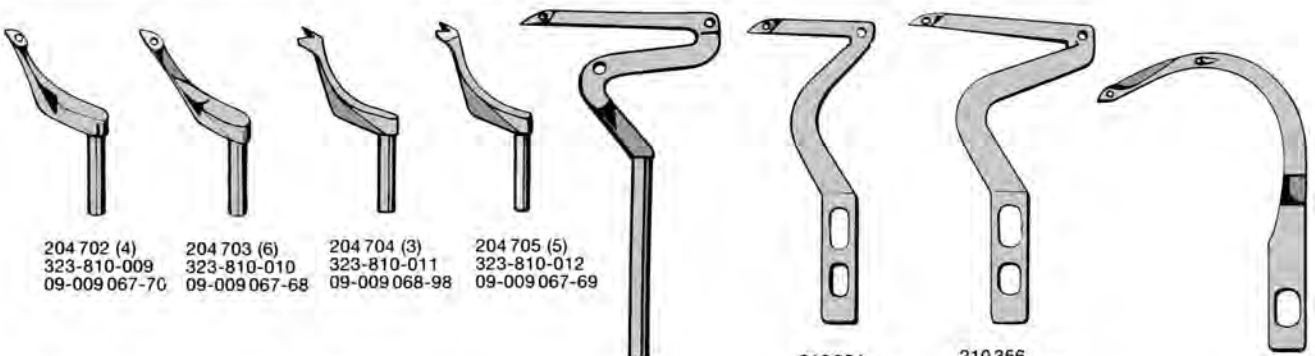
202 893 323-870-215 09-009 819-09 (CT)	201 127 323-870-211 09-009 054-43 202 573 323-870-203 09-009 052-57	204 161 323-870-213 09-009 053-33	204161 BAK Ceramic	204 351 323-870-218 09-009 606-90 (CT)	204 161A	211 661	210 762	277 009	208 393	213 108
---	--	---	-----------------------	---	----------	---------	---------	---------	---------	---------



211 742	211 788	201 085 B 323-810-002 09-009 049-56	202 861 323-810-212 09-009 053-29	204 072 323-810-216 09-009 054-20	204 991 323-810-232 09-009 603-49	204 314 A 323-810-217 09-009 065-25	204 431 323-810-219 09-009 065-26
---------	---------	---	---	---	---	---	---



202 874 (1) 323-810-211 09-009 053-31	204 062 (2) 323-810-218 09-009 054-19	201 234 A 323-810-003 09-009 050-62	201 067 A 323-810-001 09-009 049-40	202 828 (4) 323-810-224 09-009 065-90	204 663 (7) 323-810-008 09-009 068-07	204 990 (12) 323-810-231 09-009 603-48
---	---	---	---	---	---	--



204 702 (4) 323-810-009 09-009 067-70	204 703 (6) 323-810-010 09-009 067-68	204 704 (3) 323-810-011 09-009 068-98	204 705 (5) 323-810-012 09-009 067-69	202 703 09-009 065-89	210 354 323-810-018 09-009 618-12	210 356 323-810-019 09-009 615-99	210 357 09-009 807-47
---	---	---	---	--------------------------	---	---	--------------------------

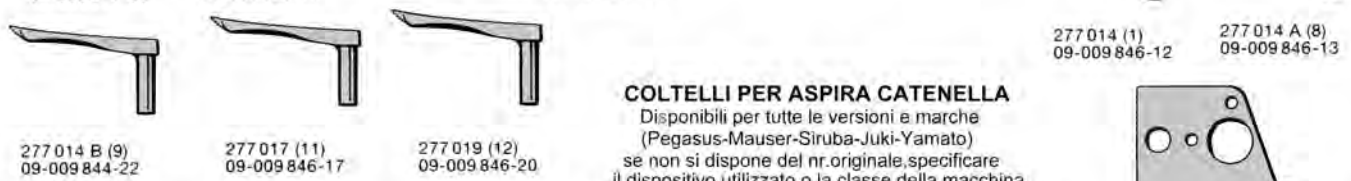
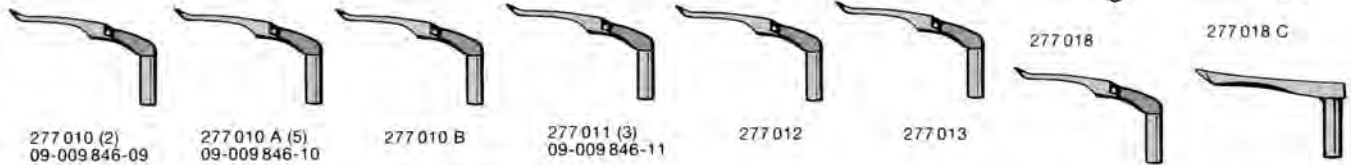
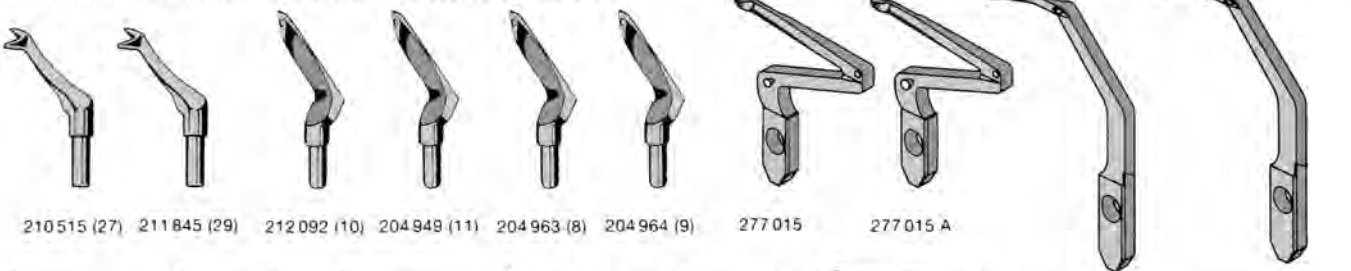
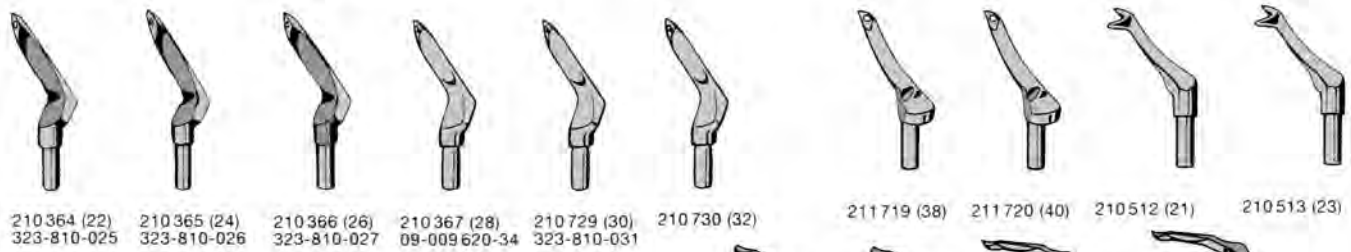
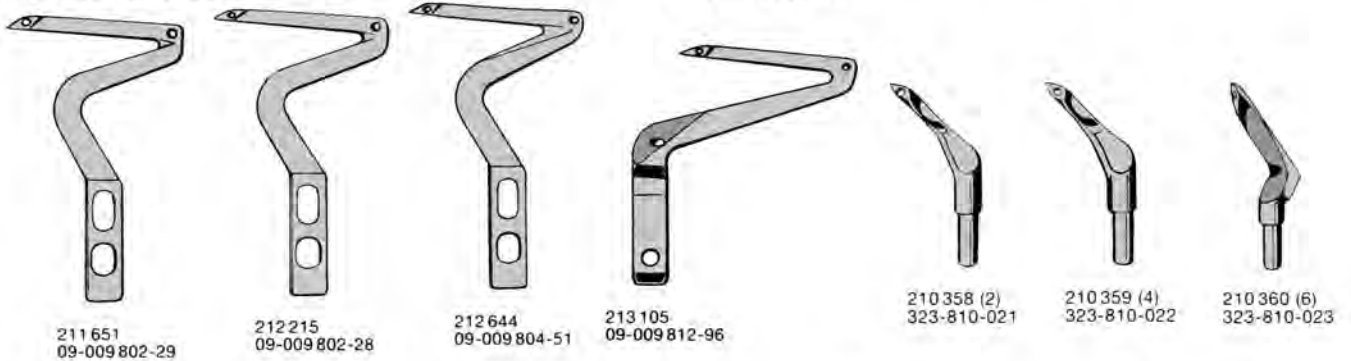
CT= Messer mit Hartmetall bestückt.
Knives tipped with tungsten carbide steel.
Cuchillas recargas de metal duro.

CROCHET - COLTELLI PEGASUS / W&G

DCR 601, 801, 901, 905
E22, E22L, E32, E32L, E51, E52, E52L, E54, E256
ETS32, ETS32L, ETS51, ETS52
EX/EXT 3200, 5200 Series

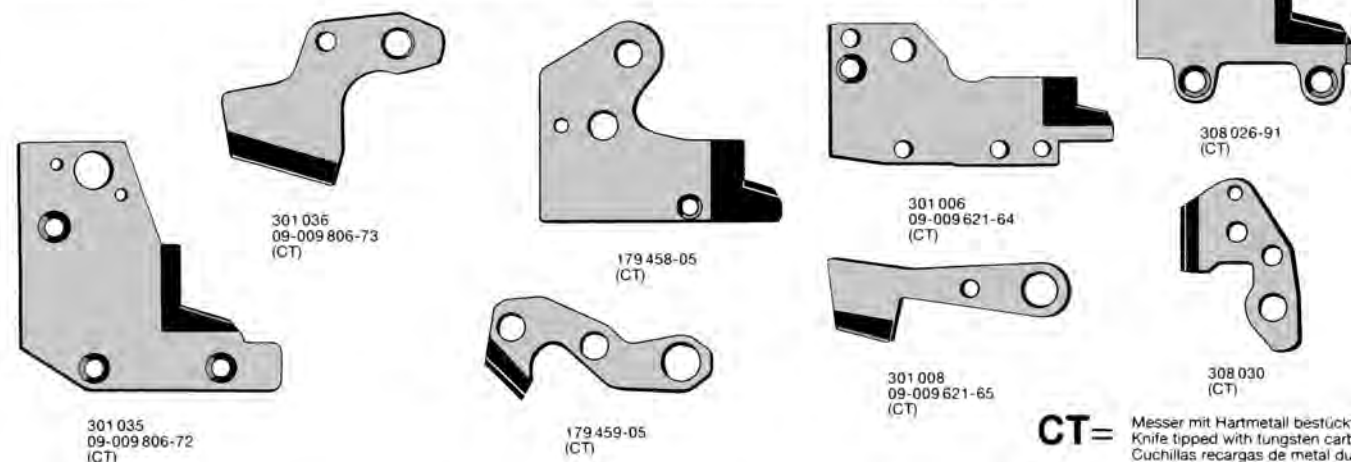
L32, L52
R53, R57
S22, S32, S52
W&G 504, 515

LX 3200, 5200
M 600, M 700



COLTELLI PER ASPIRA CATENELLA

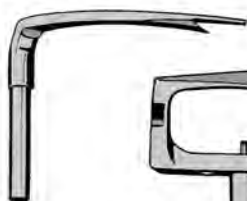
Disponibili per tutte le versioni e marche
(Pegasus-Mauser-Siruba-Juki-Yamato)
se non si dispone del nr. originale, specificare
il dispositivo utilizzato o la classe della macchina



CT= Messer mit Hartmetall bestückt.
Knives tipped with tungsten carbide.
Cuchillas recargas de metal duro.

CROCHET – COLTELLI PEGASUS / W&G

W 500 Series W 1500 Series



257 552
09-400 404-00



257 550-91
09-400 401-00



306 394 (CT)
09-400 427-00



204 161
09-009 053-33



204 161 A
09-009 831-32

W 600 Series WT 600 Series W 2600 Series



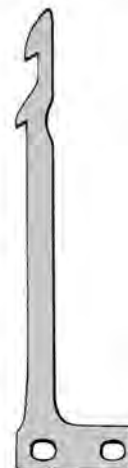
257 566
09-009 826-26



257 573 (CT)



257 573 A (CT)



350 220
09-009 825-63



350 218
09-009 825-64

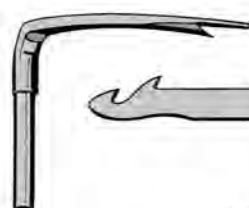


257 574 (CT)

W 700 Series



257 555
09-009 854-48



257 565
09-009 826-28



350 024



350 018-91 (CT)

FS, FV, FW Series



236 606
09-009 854-52



236 608
09-009 854-53



236 618



236 101
09-009 854-49



236 609
09-009 854-56



236 610
09-009 854-57



236 500
09-009 854-54



236 500 A
09-009 854-55



236 504 A
09-009 852-28



236 502 A
09-009 852-26



236 503 A
09-009 852-27



236 501 A



CT= Messer mit Hartmetall bestückt.
Knives tipped with tungsten carbide steel.
Cuchillas recargas de metal duro.

TM 625
= Pfaff 5642



188 004
= Pfaff 91-176 055-91