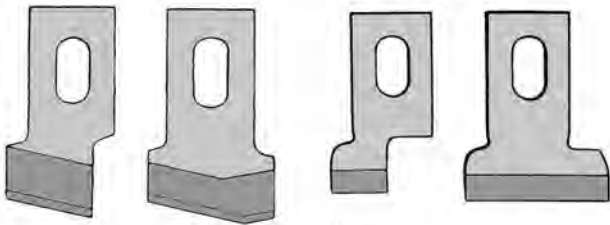


# CROCHET- COLTELLI NECCHI / PEGASUS/ W&G

## CROCHET- COLTELLI NECCHI

400-100, 405-100, 458-100 HSS =  
High speed steel



**Coltelli asole**

A2351 normali  
A2351M versione Maier

A2352 diritti  
A2352M versione Maier

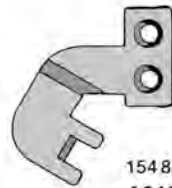
misure da mm.3,2 a mm.38



**A2110**  
181812000 HSS



**A2102**  
181814003  
= 40-0127-2-000  
(REECE)



154851000  
**A2105**



154852000  
**A2106**



835-261, 263  
885-261, 263  
UAN 2641 / 2661

**UAN 1700, 1701**



186185007  
**A2103**



186188202 (CT)  
**A2109**

## CROCHET- COLTELLI PEGASUS/ W&G

DCR 601, 801, 901, 905  
E22, E22L, E32, E32L, E51, E52, E52L, E54, E256  
ETS32, ETS32L, ETS51, ETS52  
EX/EXT 3200, 5200 Series

L32, L52  
R53, R57  
S22, S32, S52  
W&G 504, 515

LX 3200, 5200  
M 600, M 700



202570  
323-870-200  
09-009052-54



201121 A  
323-870-214  
09-009050-06  
(CT)



205607 (CT)  
09-009801-41  
links/lefthand/



205890 (CT)  
09-009732-15



202571  
323-870-201  
09-009052-55



202527 (CT)  
323-870-207  
09-009070-82



277000 (CT)  
09-009846-02



210755



CT 210755  
91-179421-01



211771 (CT)  
09-009807-78



211662 (CT)  
09-009802-00



211662A (CT)  
09-009857-11



204835 (CT)  
09-009071-09



204152  
09-009065-29



202295  
323-870-210  
09-009066-42



202295 BAK  
Ceramic



202572  
323-870-202



205609  
09-009801-40  
links / lefthand /  
à la izquierda



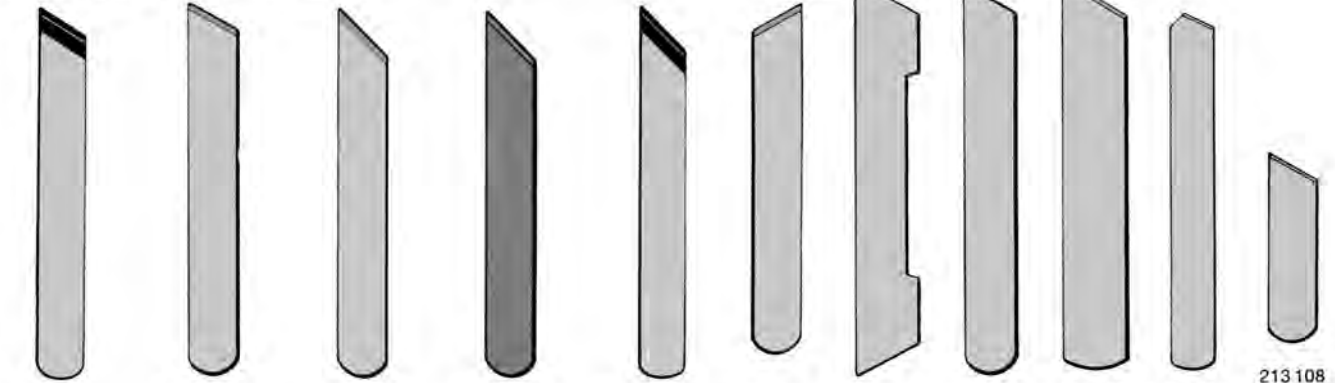
202295 L BAK  
205609 BAK  
Ceramic

# CROCHET – COLTELLI PEGASUS / W&G

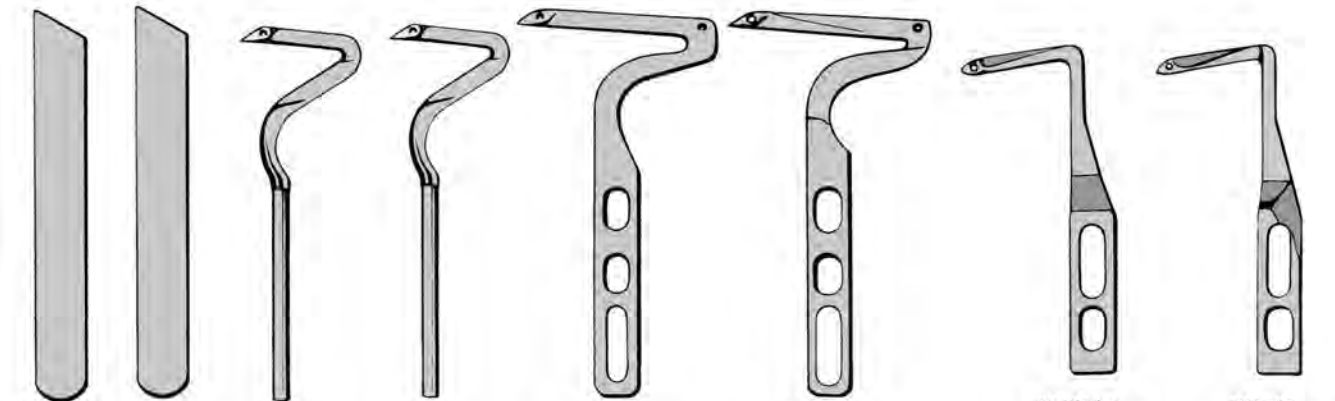
DCR 601, 801, 901, 905  
E22, E22L, E32, E32L, E51, E52, E52L, E54, E256  
ETS32, ETS32L, ETS51, ETS52  
EX/EXT 3200, 5200 Series

L32, L52  
R53, R57  
S22, S32, S52  
W&G

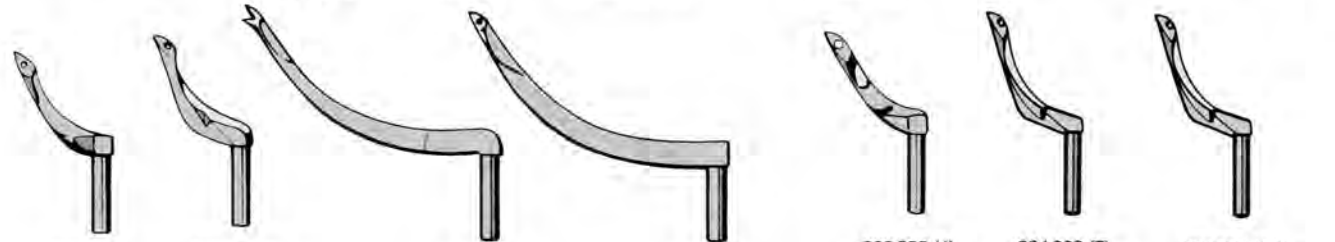
LX 3200, 5200  
M 600, M 700



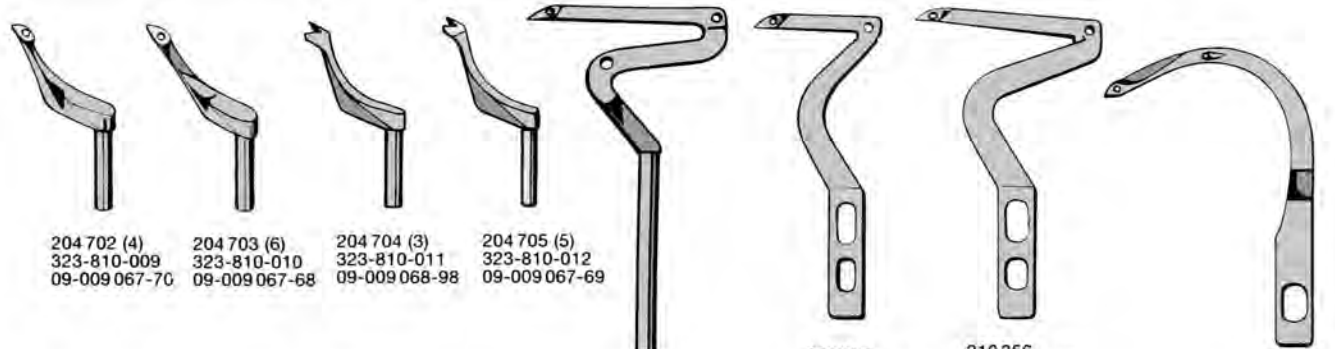
202 893 323-870-215 09-009 819-09 (CT)	201 127 323-870-211 09-009 054-43 202 573 323-870-203 09-009 052-57	204 161 323-870-213 09-009 053-33	204161 BAK Ceramic	204 351 323-870-218 09-009 606-90 (CT)	204 161A	211 661	210 762	277 009	208 393	213 108
---	--	---	-----------------------	---	----------	---------	---------	---------	---------	---------



211 742	211 788	201 085 B 323-810-002 09-009 049-56	202 861 323-810-212 09-009 053-29	204 072 323-810-216 09-009 054-20	204 991 323-810-232 09-009 603-49	204 314 A 323-810-217 09-009 065-25	204 431 323-810-219 09-009 065-26
---------	---------	---	---	---	---	---	---



202 874 (1) 323-810-211 09-009 053-31	204 062 (2) 323-810-218 09-009 054-19	201 234 A 323-810-003 09-009 050-62	201 067 A 323-810-001 09-009 049-40	202 828 (4) 323-810-224 09-009 065-90	204 663 (7) 323-810-008 09-009 068-07	204 990 (12) 323-810-231 09-009 603-48
---	---	---	---	---	---	--



204 702 (4) 323-810-009 09-009 067-70	204 703 (6) 323-810-010 09-009 067-68	204 704 (3) 323-810-011 09-009 068-98	204 705 (5) 323-810-012 09-009 067-69	202 703 09-009 065-89	210 354 323-810-018 09-009 618-12	210 356 323-810-019 09-009 615-99	210 357 09-009 807-47
---	---	---	---	--------------------------	---	---	--------------------------

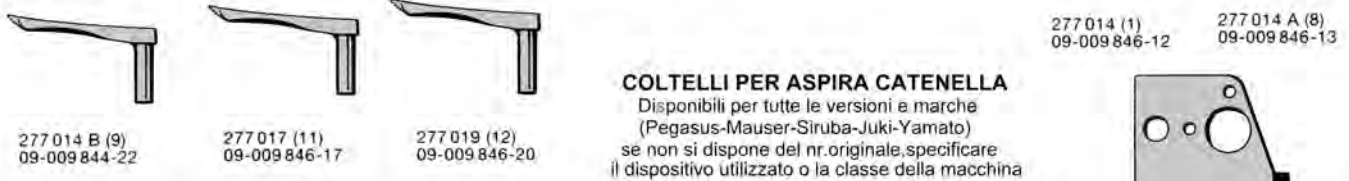
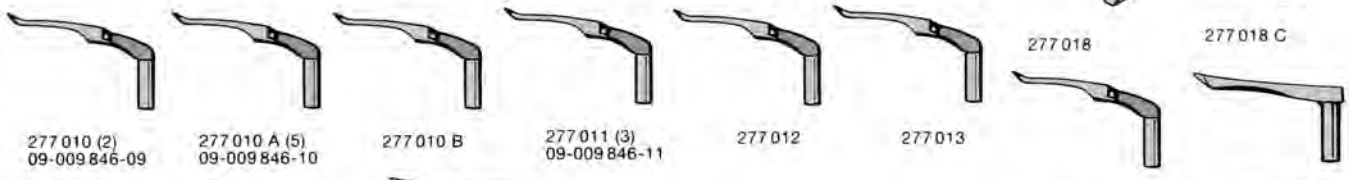
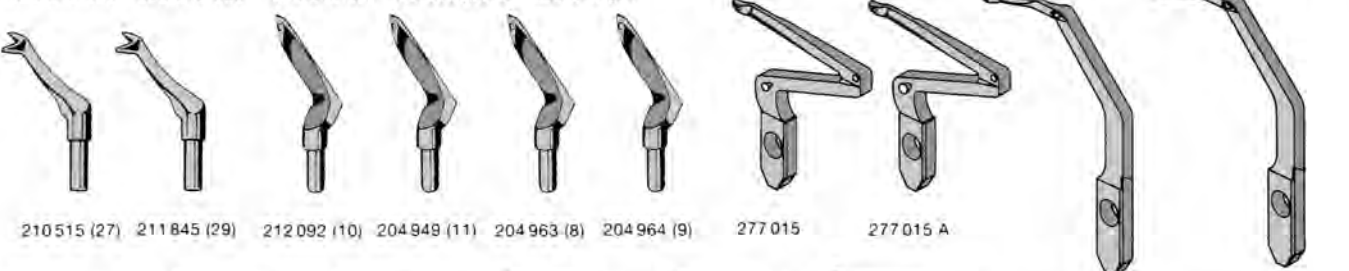
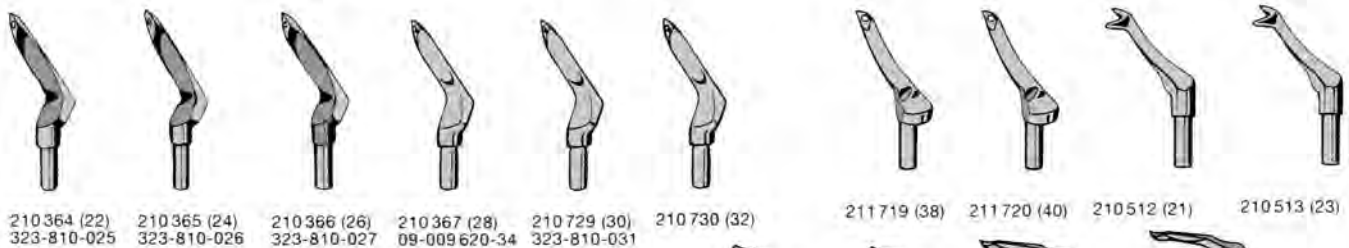
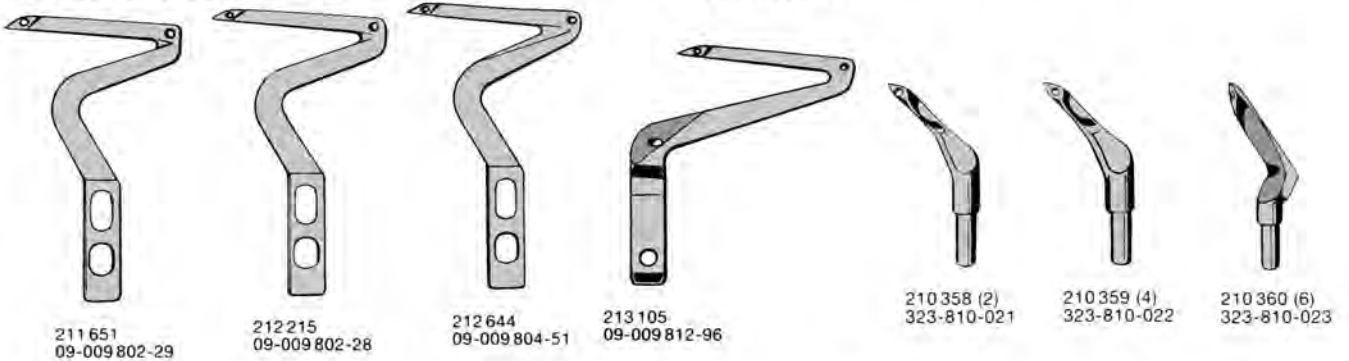
**CT=** Messer mit Hartmetall bestückt.  
Knives tipped with tungsten carbide steel.  
Cuchillas recargas de metal duro.

# CROCHET - COLTELLI PEGASUS / W&G

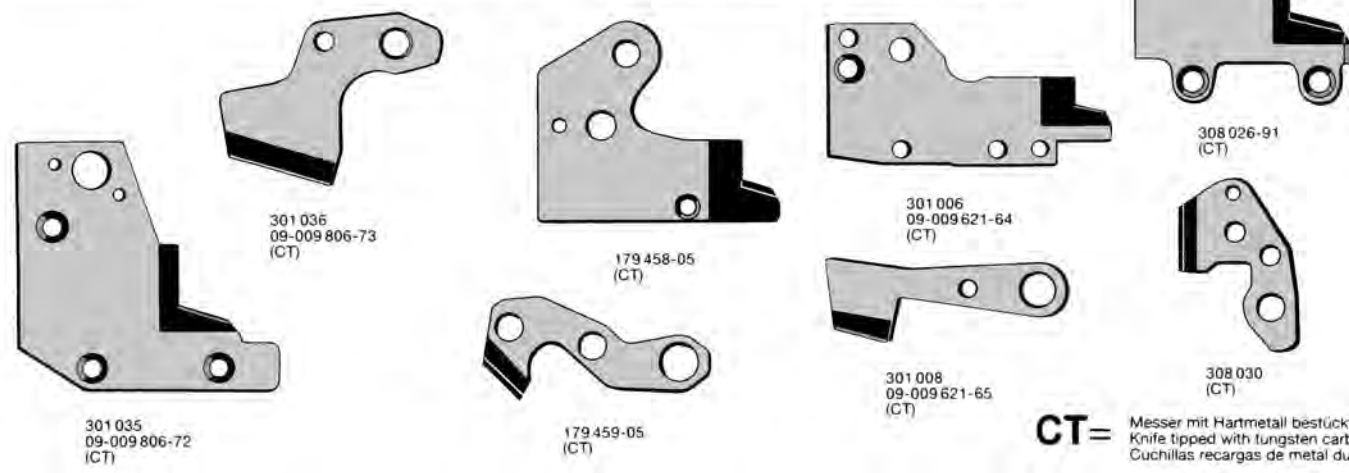
DCR 601, 801, 901, 905  
E22, E22L, E32, E32L, E51, E52, E52L, E54, E256  
ETS32, ETS32L, ETS51, ETS52  
EX/EXT 3200, 5200 Series

L32, L52  
R53, R57  
S22, S32, S52  
W&G 504, 515

LX 3200, 5200  
M 600, M 700



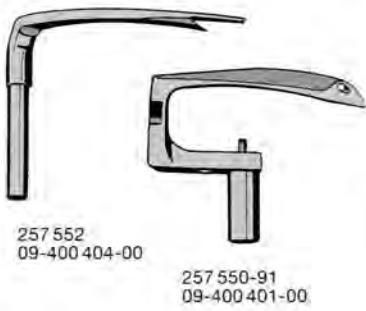
**COLTELLI PER ASPIRA CATENELLA**  
Disponibili per tutte le versioni e marche (Pegasus-Mauser-Siruba-Juki-Yamato) se non si dispone del nr. originale, specificare il dispositivo utilizzato o la classe della macchina



**CT=** Messer mit Hartmetall bestückt.  
Knife tipped with tungsten carbide.  
Cuchillas recargas de metal duro.

# CROCHET – COLTELLI PEGASUS / W&G

## W 500 Series W 1500 Series

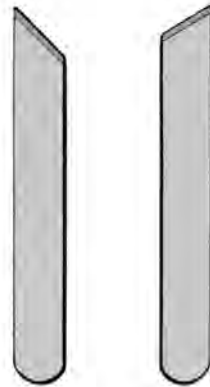


257 552  
09-400 404-00

257 550-91  
09-400 401-00



306 394 (CT)  
09-400 427-00



204 161  
09-009 053-33

204 161 A  
09-009 831-32

## W 600 Series WT 600 Series W 2600 Series



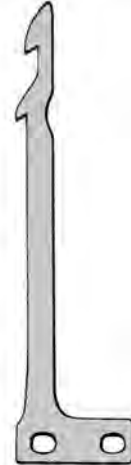
257 566  
09-009 826-26



257573 (CT)



257573 A (CT)



350 220  
09-009 825-63



350 218  
09-009 825-64



257574 (CT)

## W 700 Series



257 555  
09-009 854-48



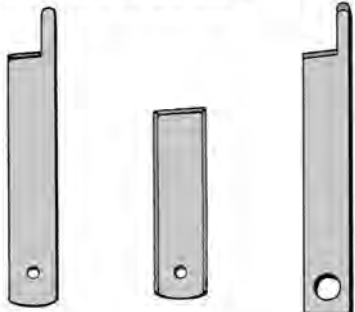
350024

257 565  
09-009 826-28



350018-91 (CT)

## FS, FV, FW Series



236 606  
09-009 854-52

236 608  
09-009 854-53

236618



236 101  
09-009 854-49



236 609  
09-009 854-56



236 610  
09-009 854-57



236 500  
09-009 854-54



236 500 A  
09-009 854-55



236 504 A  
09-009 852-28



236 502 A  
09-009 852-26



236 503 A  
09-009 852-27



236501 A



**CT=** Messer mit Hartmetall bestückt.  
Knives tipped with tungsten carbide steel.  
Cuchillas recargas de metal duro.

**TM 625**  
**= Pfaff 5642**



188 004  
= Pfaff 91-176 055-91